



US00D428436S

United States Patent [19]

Brooks, Jr. et al.

[11] Patent Number: **Des. 428,436**

[45] Date of Patent: **** Jul. 18, 2000**

[54] **SORTER**

[75] Inventors: **David H. Brooks, Jr.**, Wilton; **Charles W. Klein**, Stratford; **David W. Beckstrom**, Milford, all of Conn.

[73] Assignee: **Pitney Bowes Inc.**, Stamford, Conn.

[**] Term: **14 Years**

[21] Appl. No.: **29/111,528**

[22] Filed: **Sep. 29, 1999**

[51] **LOC (7) Cl.** **18-99**

[52] **U.S. Cl.** **D18/47**

[58] **Field of Search** D18/46-49; D15/144.1, D15/145; 271/3.01, 3.14, 278; 235/425; 453/3, 63

[56] **References Cited**

U.S. PATENT DOCUMENTS

D. 288,823 3/1987 Nishida D18/3.3

D. 321,269 10/1991 Skaugen et al. D15/144.1
D. 330,909 11/1992 Nishida D18/47

Primary Examiner—Caron D. Veynar
Attorney, Agent, or Firm—Alberta A. Vitale; Michael E. Melton; Charles R. Malandra, Jr.

[57] **CLAIM**

The ornamental design for a sorter, as shown and described.

DESCRIPTION

FIG. 1 is a top, front and left side perspective view of a sorter which incorporates the new design; FIG. 2 is a top, front, right side perspective view thereof; FIG. 3 is a top, back, right side perspective view thereof; FIG. 4 is a front side view thereof; FIG. 5 is a left side view thereof; FIG. 6 is a right side view thereof; FIG. 7 is a top plan view thereof; and, FIG. 8 is a back view thereof.

1 Claim, 8 Drawing Sheets

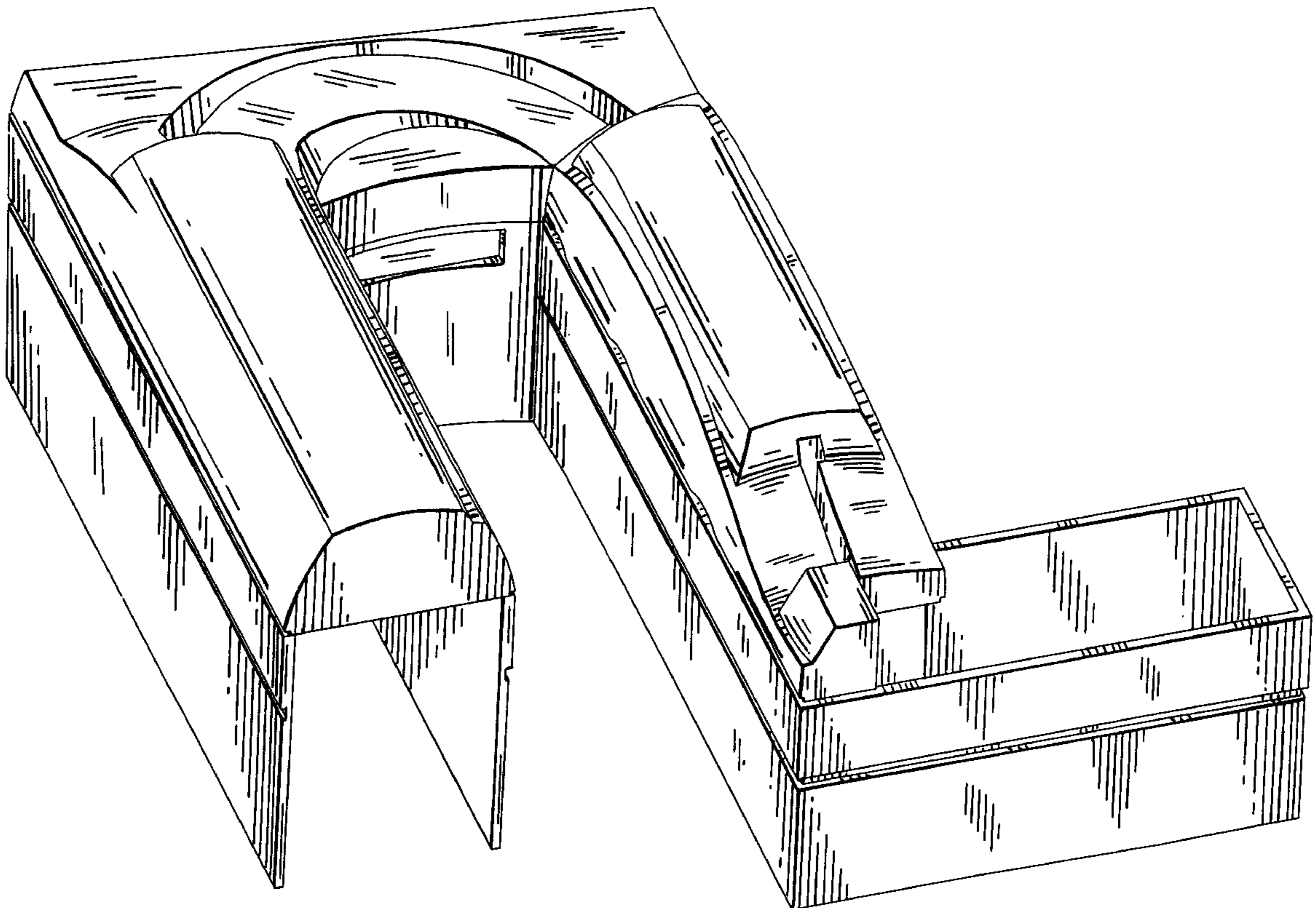
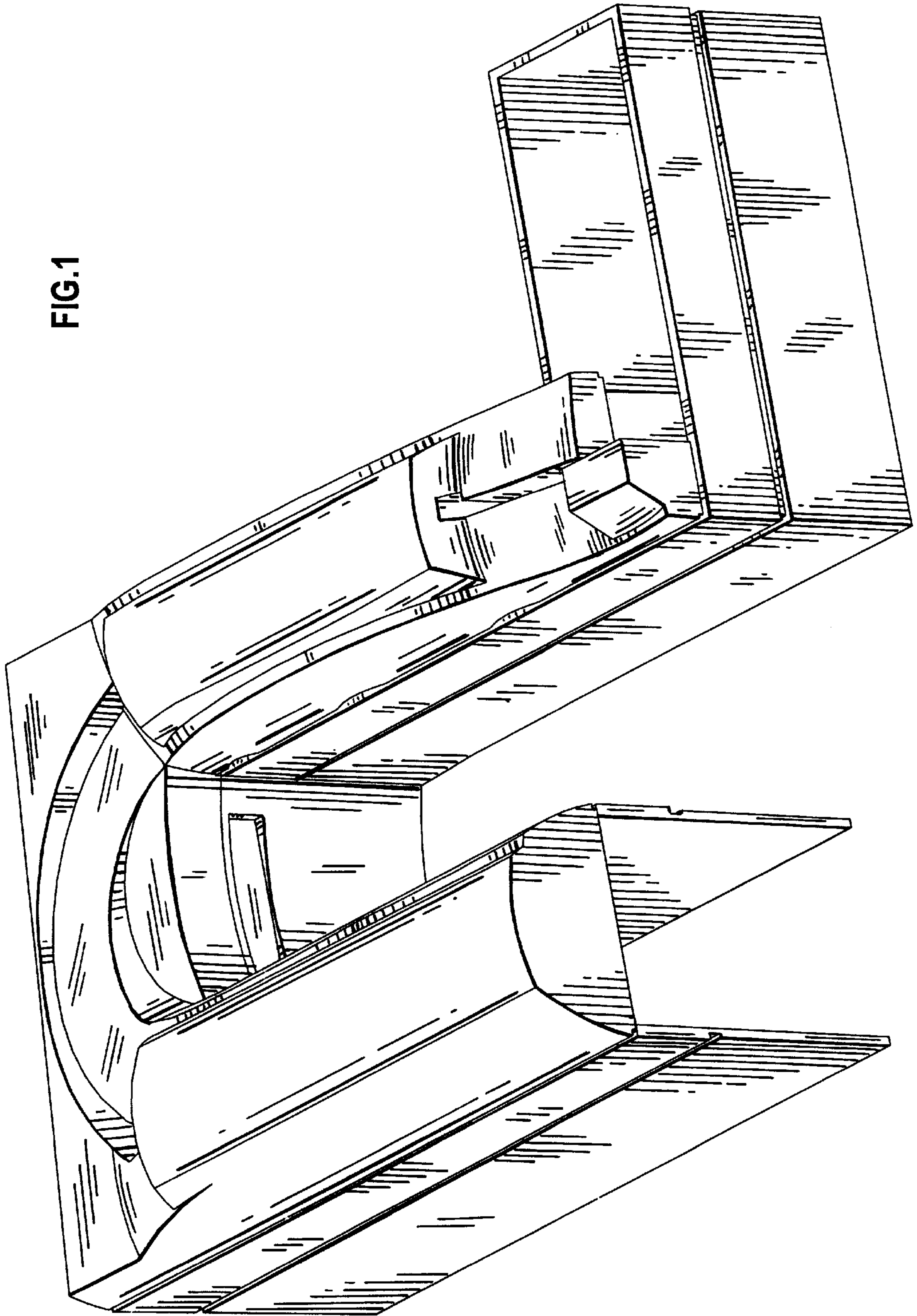


FIG.1



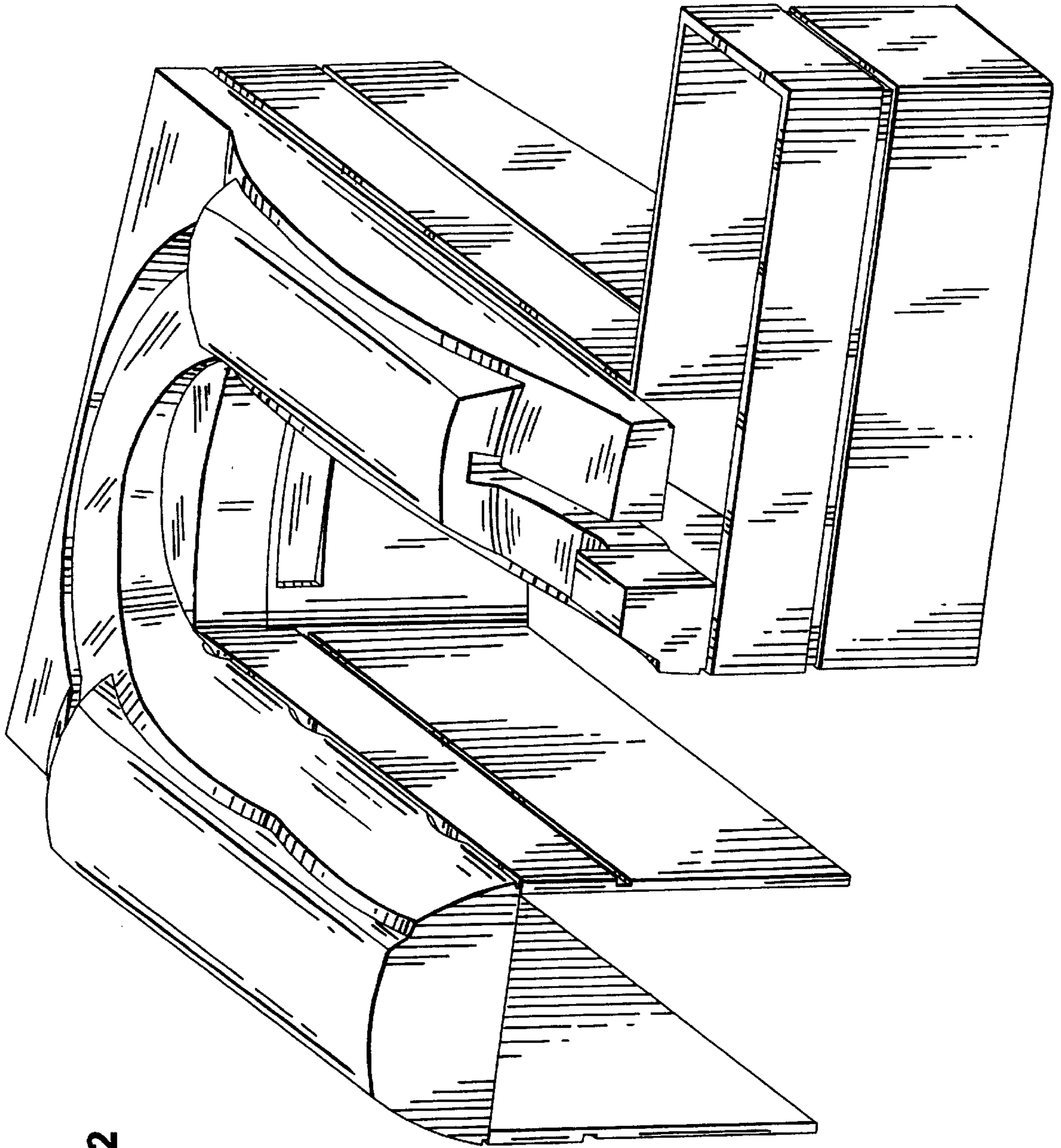


FIG. 2

FIG. 3

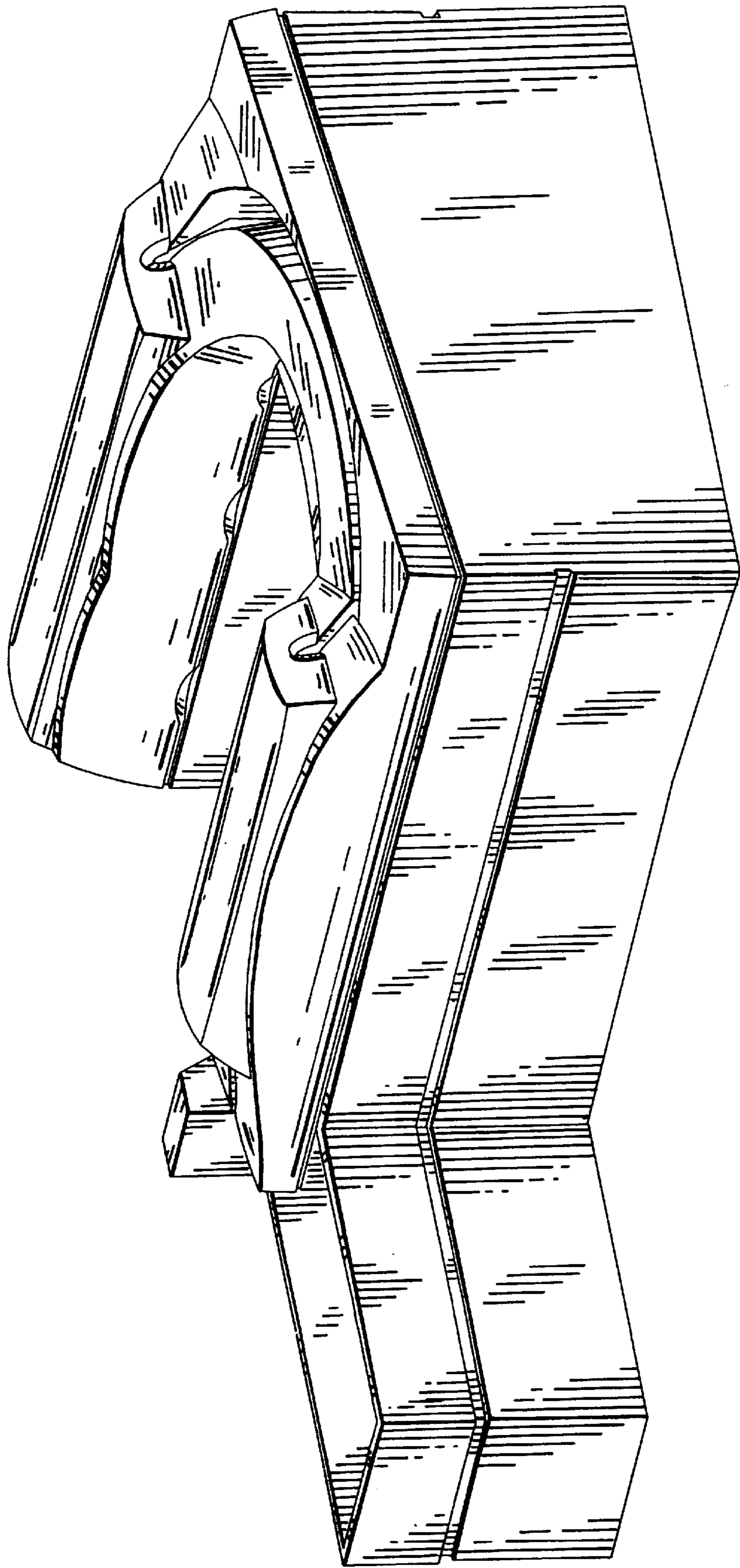


FIG. 4

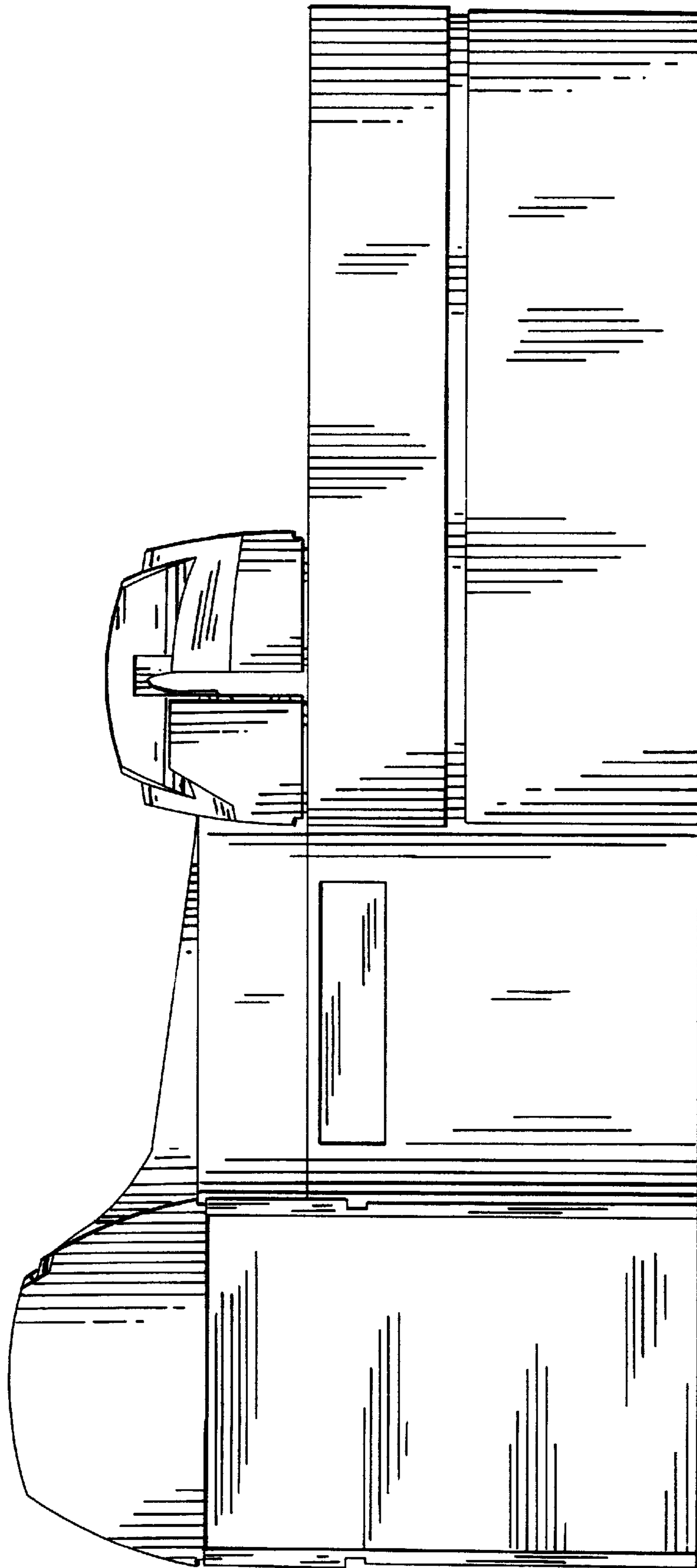


FIG. 5

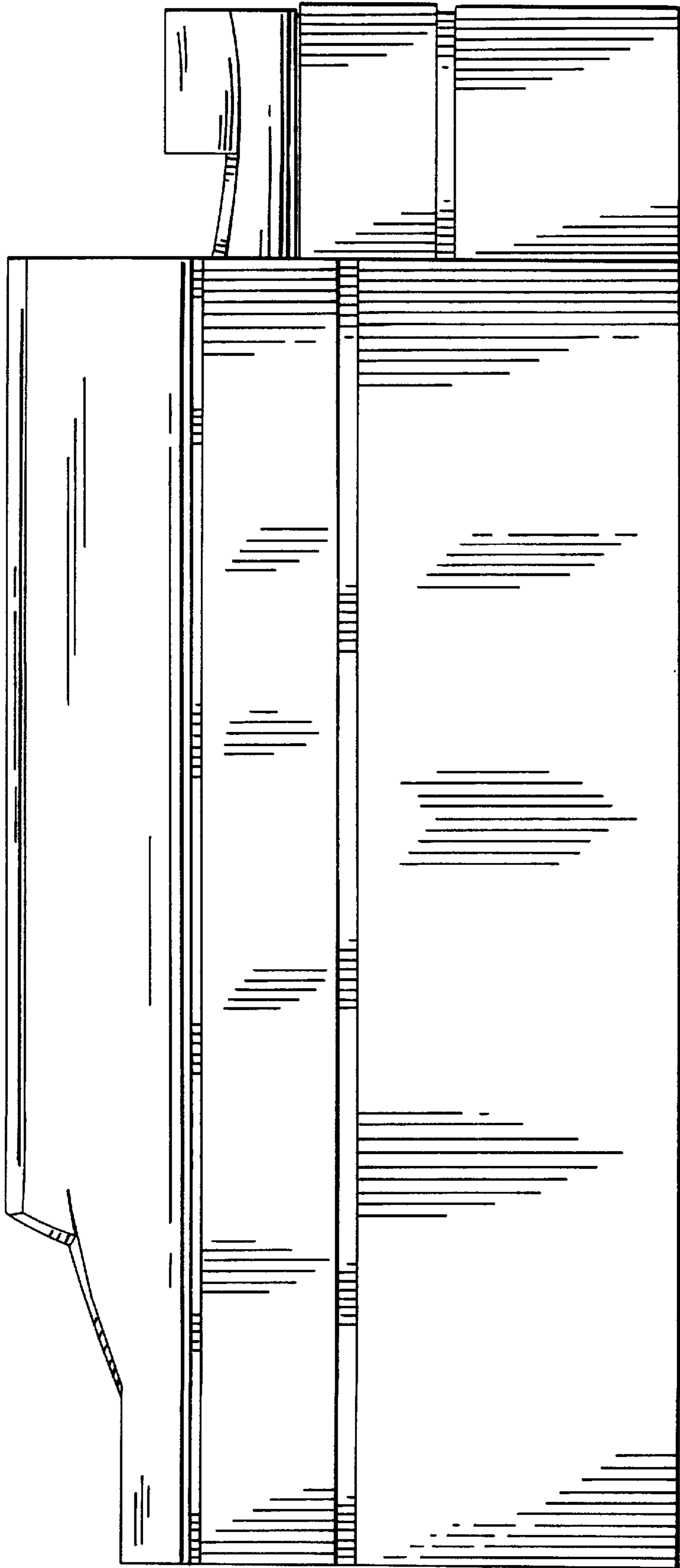
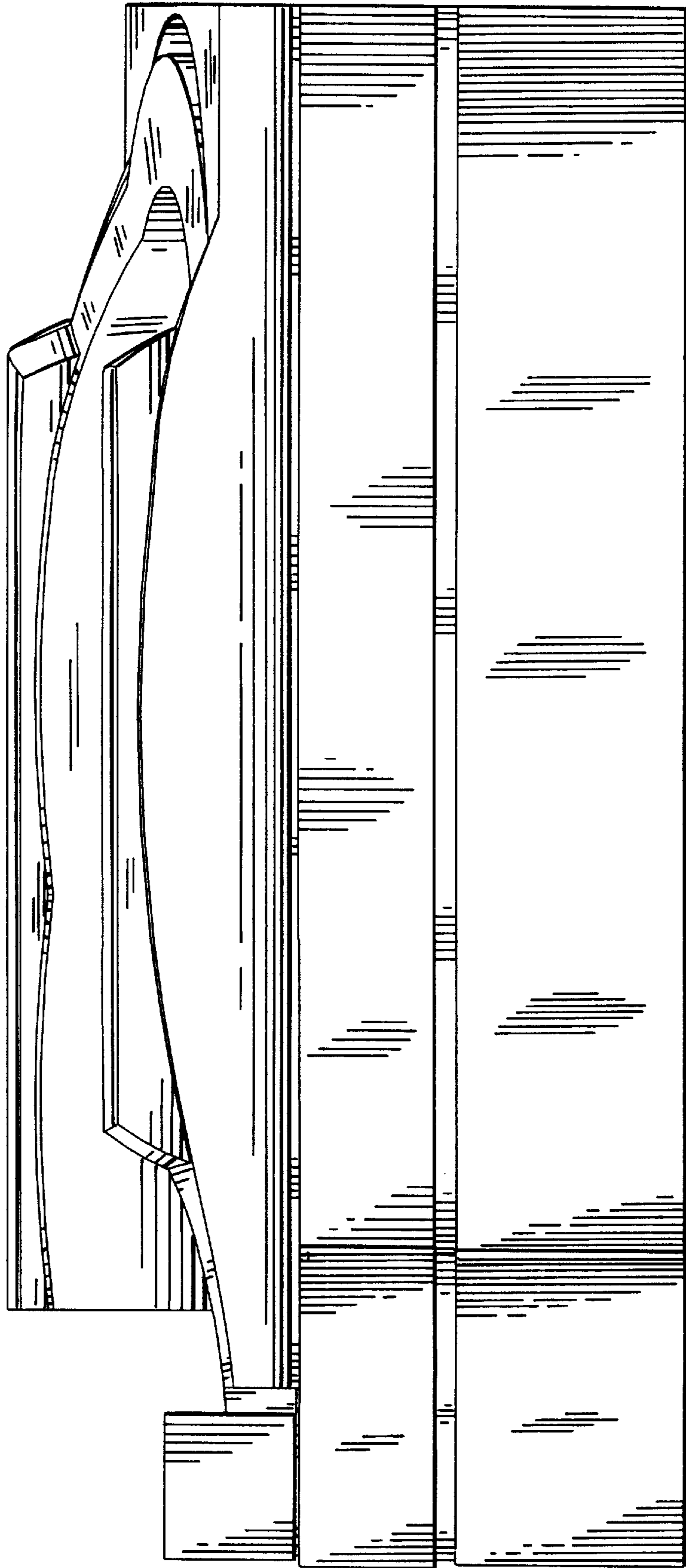


FIG. 6



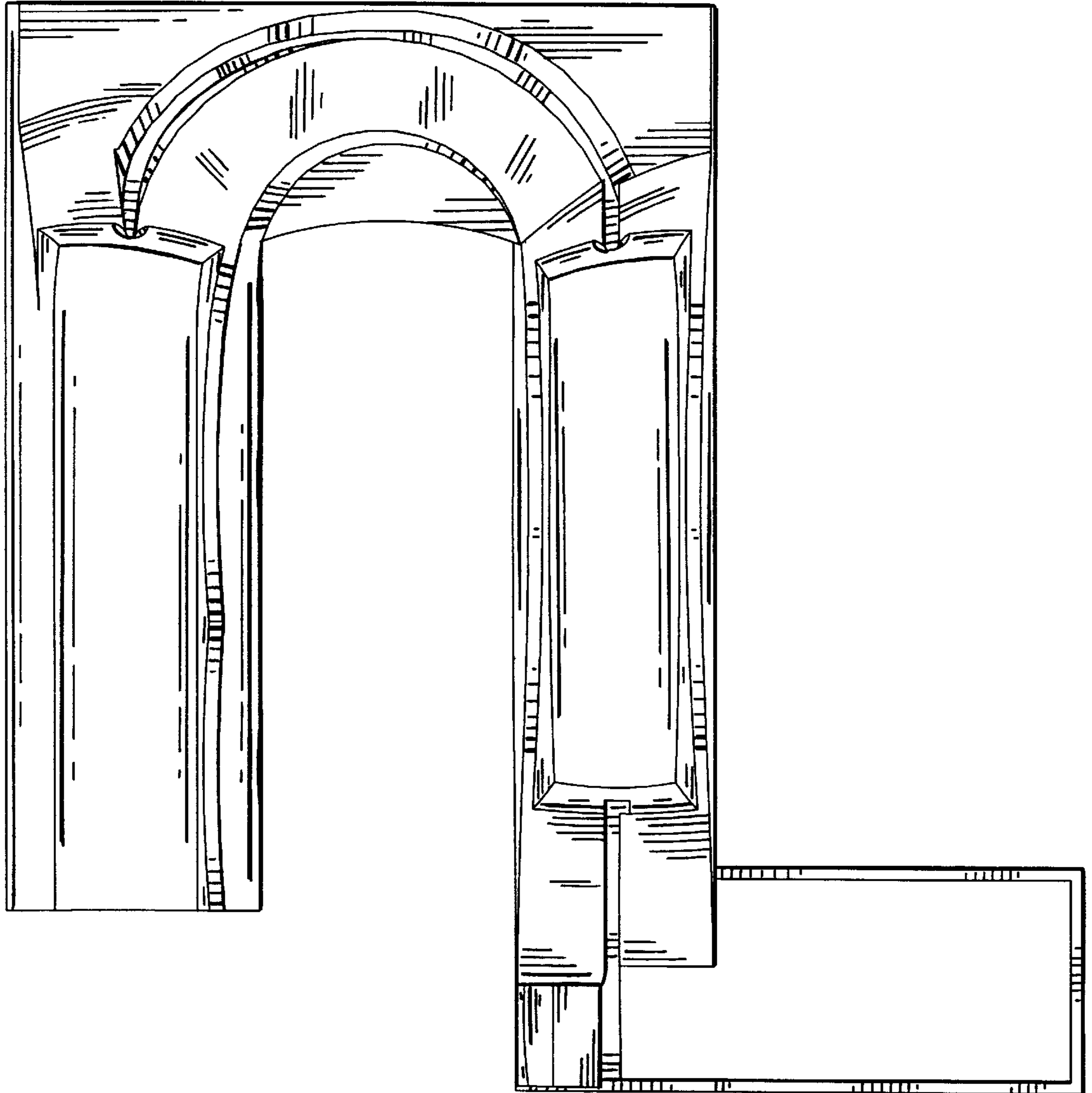


FIG. 7

FIG. 8

