



US00D428435S

# United States Patent [19]

Kawamori et al.

[11] Patent Number: **Des. 428,435**

[45] Date of Patent: **\*\* Jul. 18, 2000**

[54] **DEVELOPER UNIT FOR AN IMAGE FORMING APPARATUS**

[75] Inventors: **Yoshizo Kawamori; Takeshi Uemura; Masakazu Taoka**, all of Osaka, Japan

[73] Assignee: **Mita Industrial Co., Ltd.**, Osaka, Japan

[\*\*] Term: **14 Years**

[21] Appl. No.: **29/106,151**

[22] Filed: **Jun. 11, 1999**

[30] **Foreign Application Priority Data**

Jan. 14, 1999 [JP] Japan ..... 11-890

[51] **LOC (7) Cl.** ..... **16-03**

[52] **U.S. Cl.** ..... **D18/40**

[58] **Field of Search** ..... D18/40, 43, 56; 399/24, 25, 27, 31, 110, 111, 119

[56] **References Cited**

**U.S. PATENT DOCUMENTS**

D. 327,088 6/1992 Murase ..... D18/56

- D. 358,164 5/1995 Hashizume et al. .... D18/43
- D. 359,067 6/1995 Komaki et al. .... D18/43
- D. 359,069 6/1995 Komaki et al. .... D18/43
- D. 368,112 3/1996 Komaki ..... D18/43
- D. 400,570 11/1998 Konuma et al. .... D18/40

*Primary Examiner*—Caron D. Veynar  
*Attorney, Agent, or Firm*—Smith, Gambrell & Russell, LLP

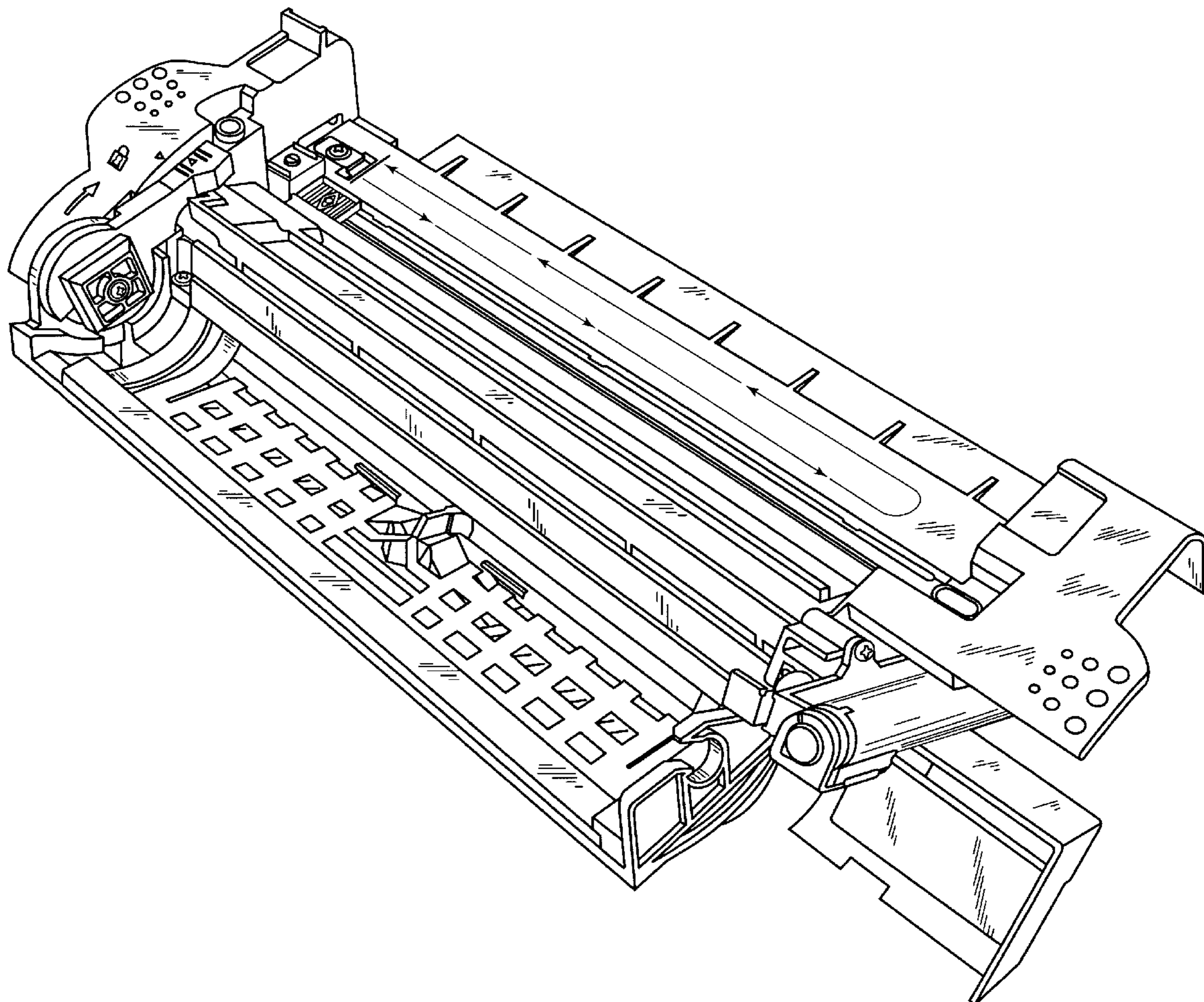
[57] **CLAIM**

The ornamental design of a developer unit for an image forming apparatus, as shown.

**DESCRIPTION**

FIG. 1 is a front elevation view of a developer unit for an image forming apparatus;  
 FIG. 2 is a rear elevation view thereof;  
 FIG. 3 is a top plan view thereof;  
 FIG. 4 is a left side view thereof;  
 FIG. 5 is a bottom plan view thereof;  
 FIG. 6 is a right side view thereof; and,  
 FIG. 7 is a perspective view thereof.

**1 Claim, 6 Drawing Sheets**



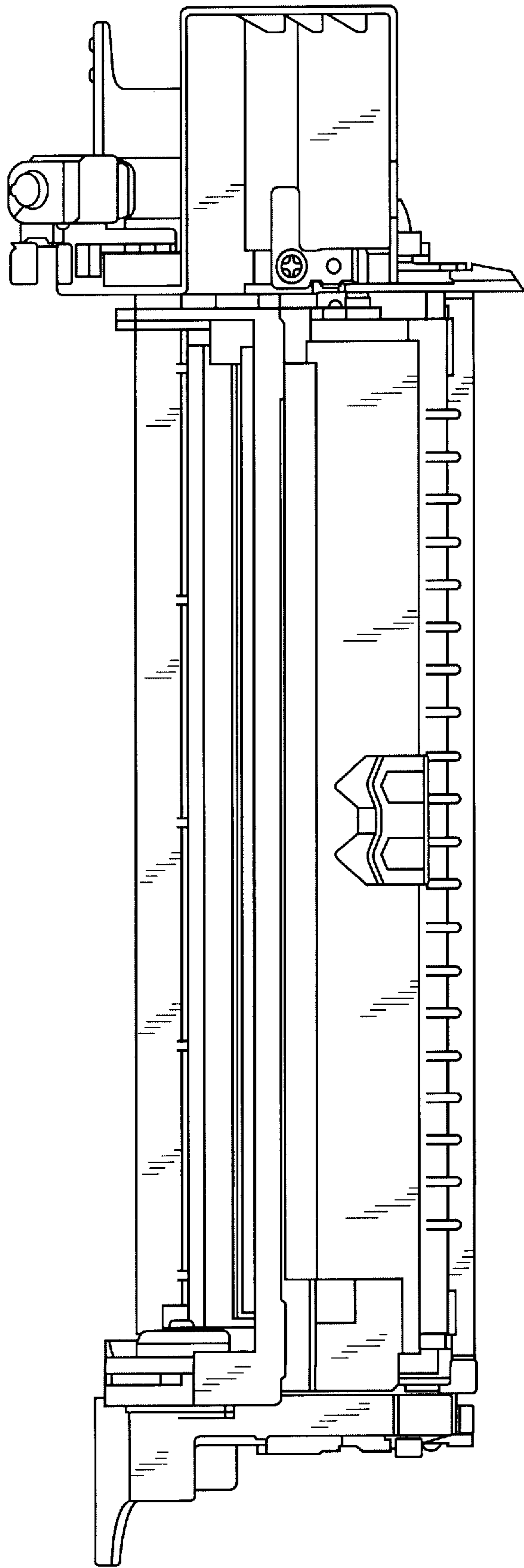


FIG. 1

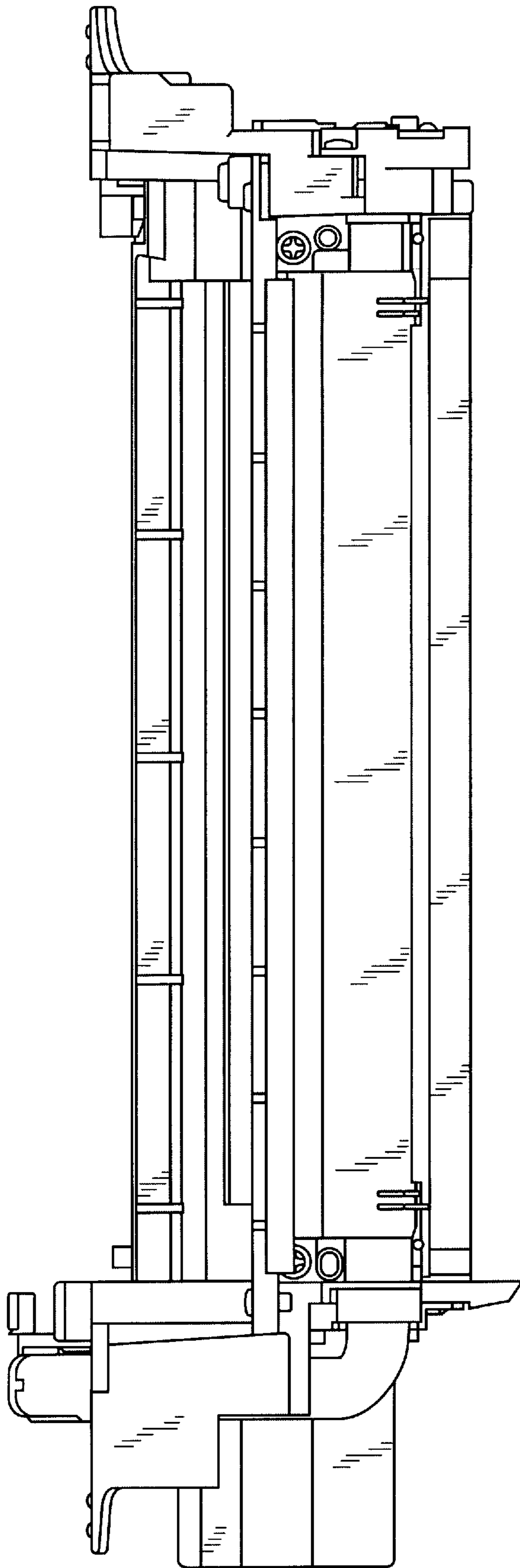


FIG. 2

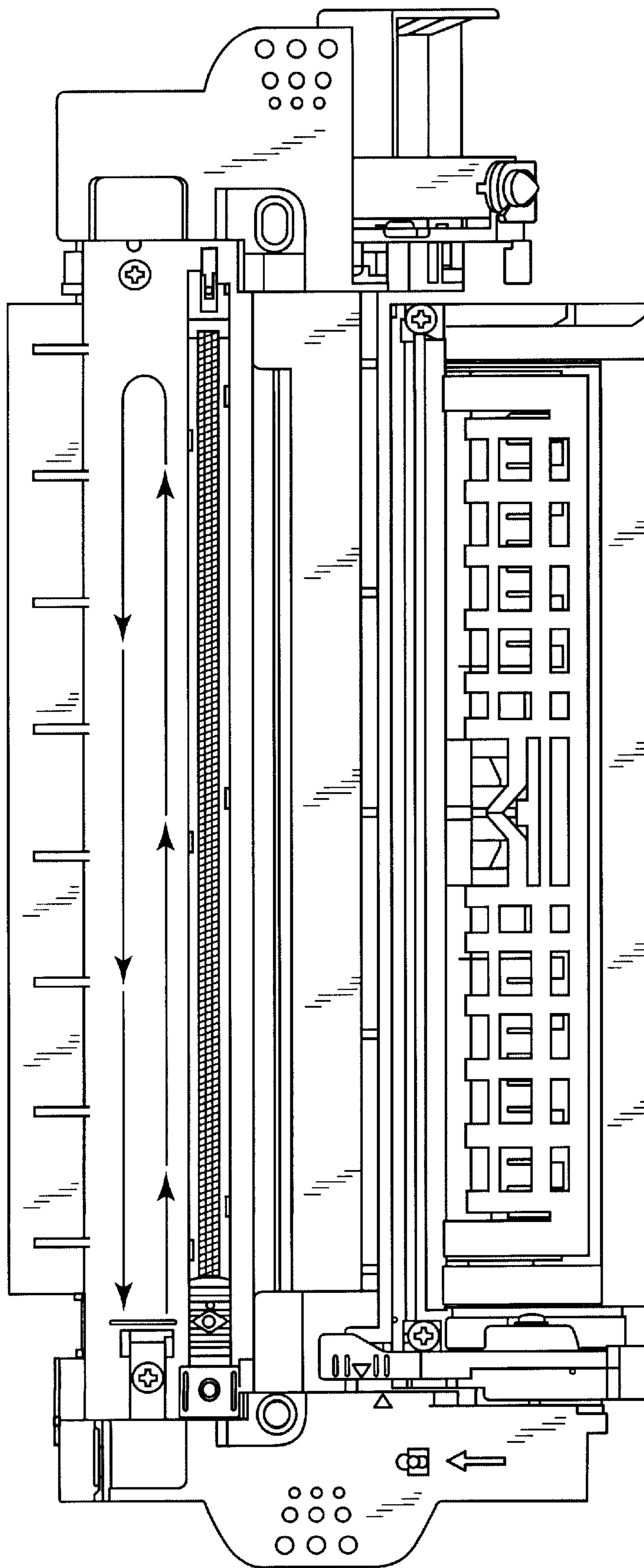


FIG. 3

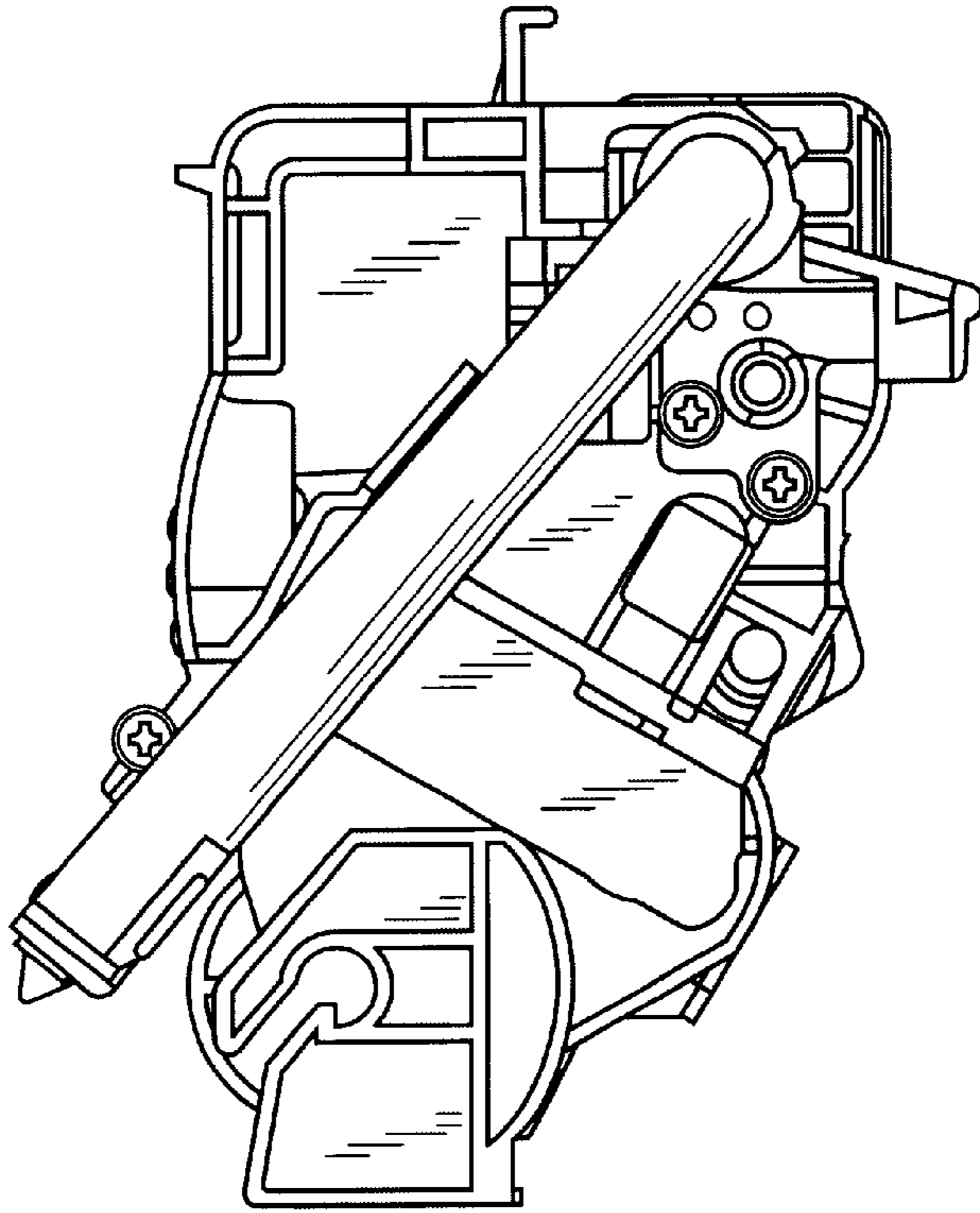


FIG. 6

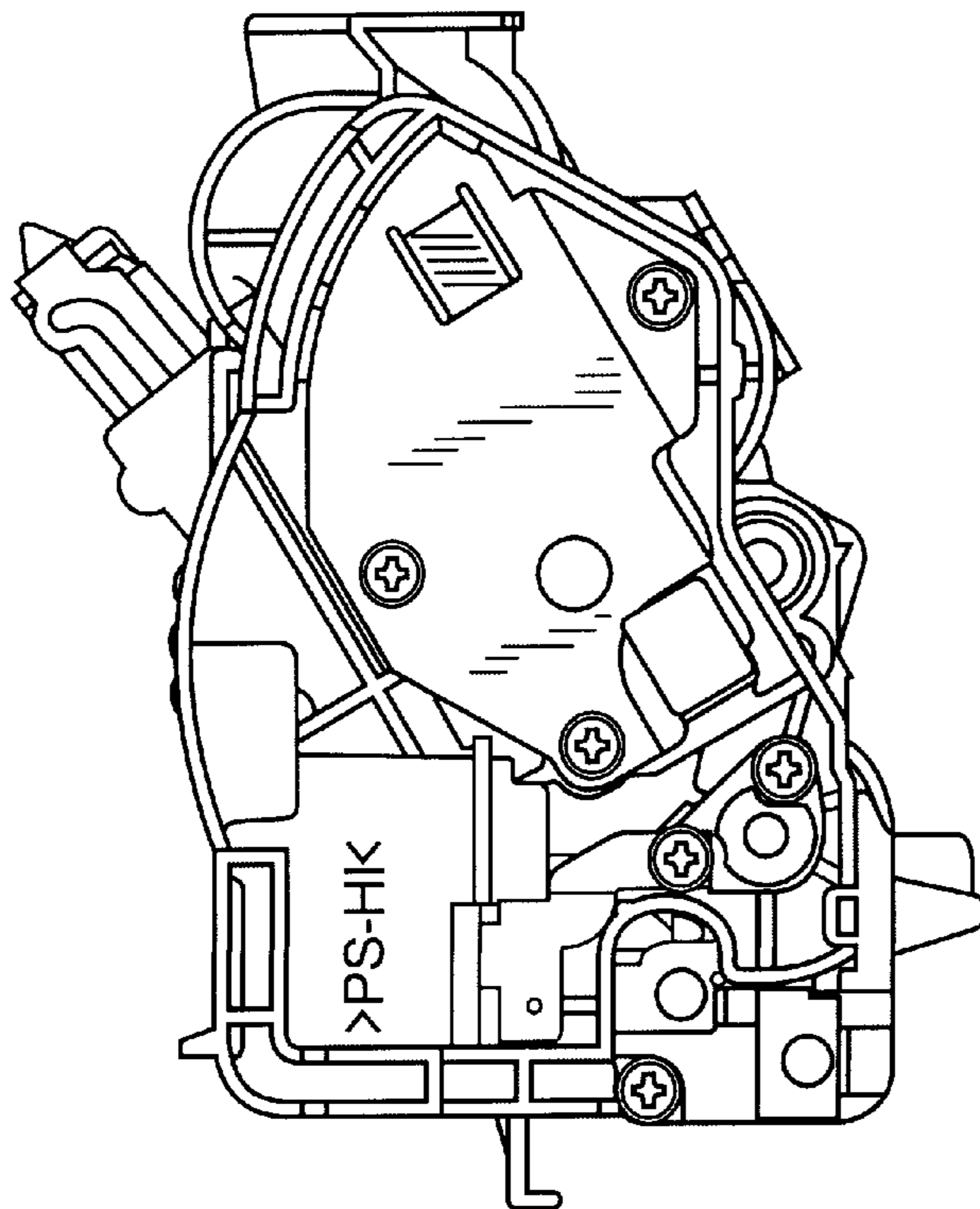


FIG. 4

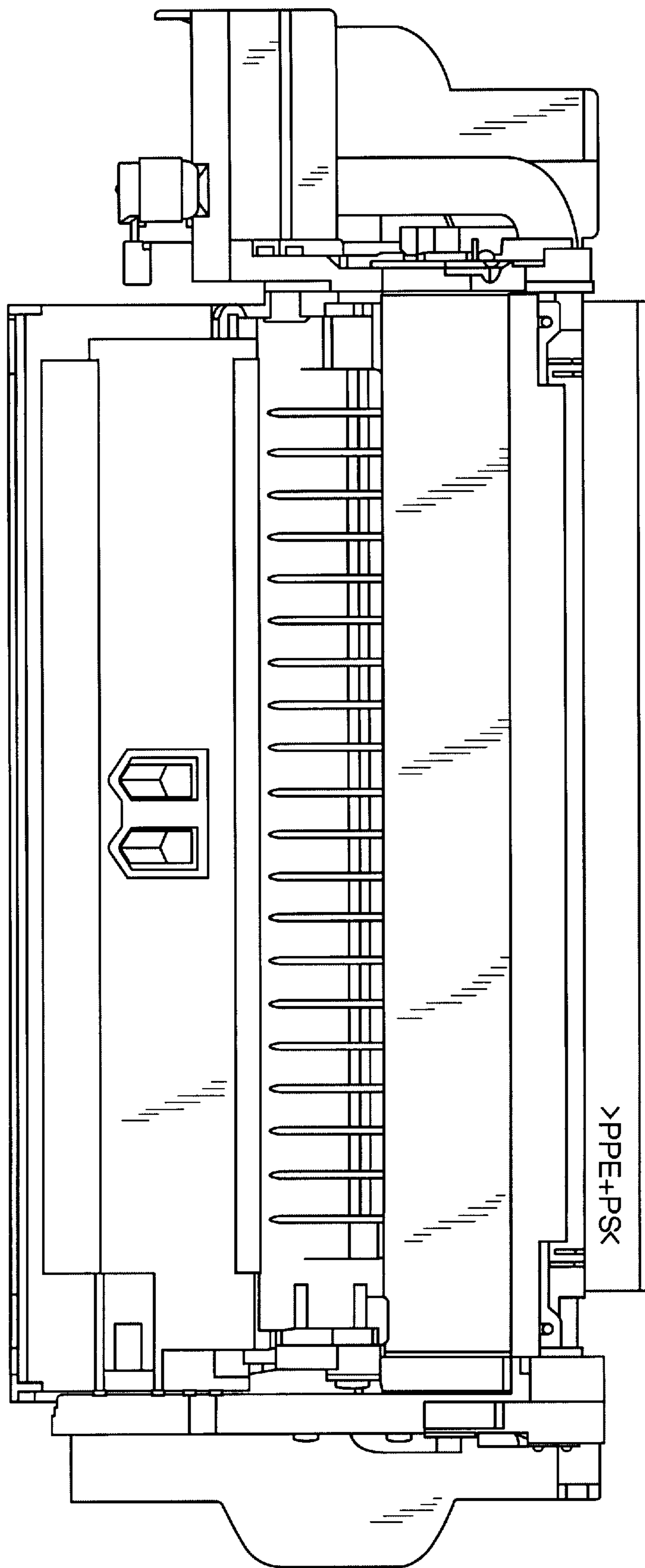


FIG. 5

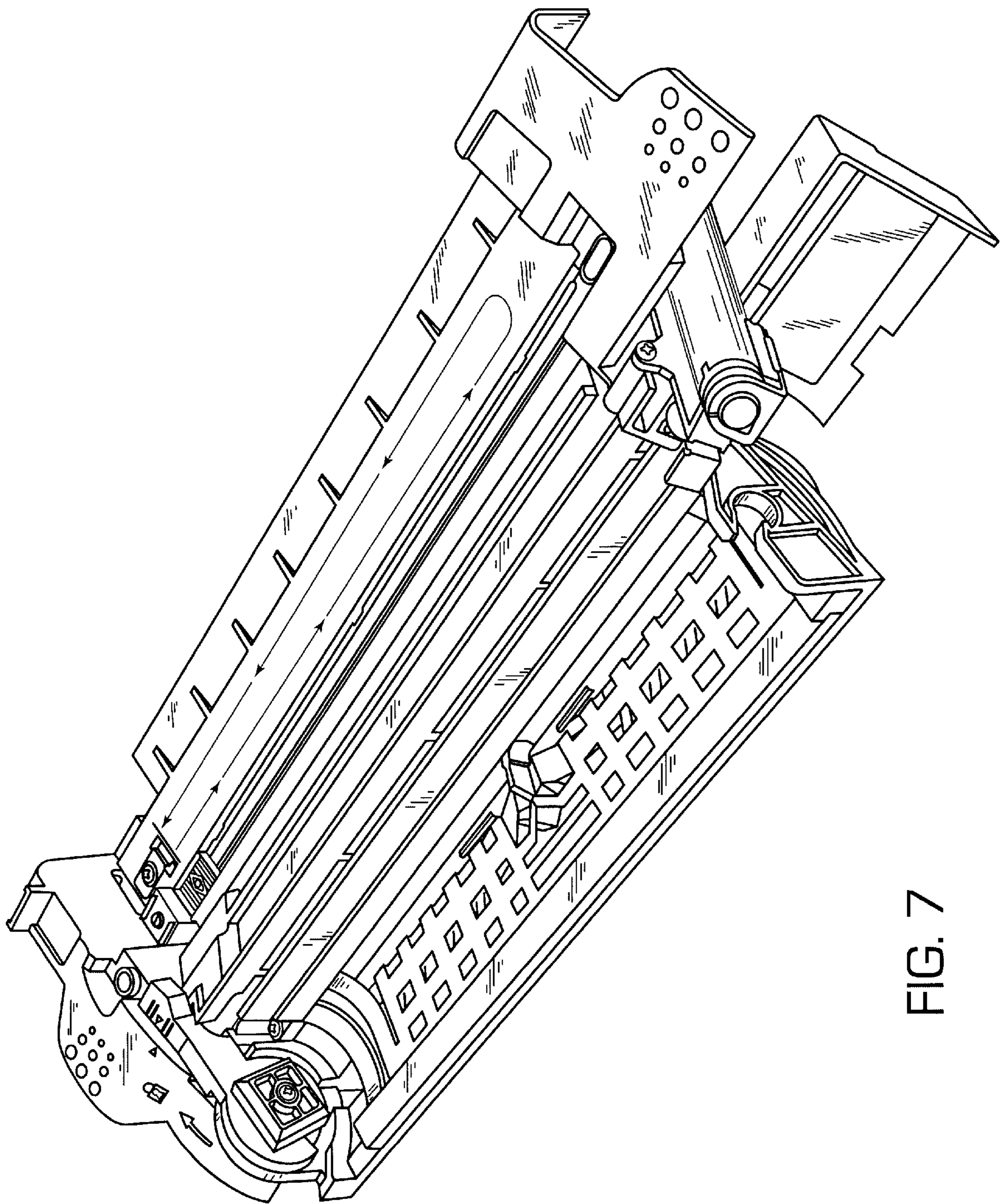


FIG. 7