



US00D428429S

United States Patent [19]
Garrison et al.

[11] **Patent Number: Des. 428,429**
[45] **Date of Patent: ** Jul. 18, 2000**

[54] **PC VIDEO CAMERA**

[75] Inventors: **Mary Garrison**, Palo Alto; **Kyle N. Swen**, Scotts Valley; **Chaun-KAI Liu**, Sunnyvale, all of Calif.

[73] Assignee: **Acco Brands, Inc.**, Lincolnshire, Ill.

[**] Term: **14 Years**

[21] Appl. No.: **29/106,036**

[22] Filed: **Jun. 7, 1999**

[51] **LOC (7) Cl.** **16-01**

[52] **U.S. Cl.** **D16/202**

[58] **Field of Search** **D16/200-206;**
348/14-20, 373-376; 358/906, 909.1; 396/535-541

[56] **References Cited**

U.S. PATENT DOCUMENTS

D. 357,929	5/1995	Pierce	D16/202
D. 376,379	12/1996	Eto et al.	D16/218
D. 394,868	6/1998	Lee	D16/202
D. 416,570	11/1999	Hsueh	D16/218

OTHER PUBLICATIONS

M.M. Beuchner, "May the Force Be PG," in Time Magazine, vol. 153, No. 19, May 17, 1999, p. 94.

Primary Examiner—Adir Aronovich

Attorney, Agent, or Firm—Michael E. Woods; Townsend and Townsend and Crew, LLP

[57] **CLAIM**

The ornamental design for a PC video camera, as shown and described.

DESCRIPTION

FIG. 1 is a perspective view of a PC video camera showing my new design;

FIG. 2 is a top plan view thereof;

FIG. 3 is a front elevational view thereof;

FIG. 4 is a left side elevational view thereof;

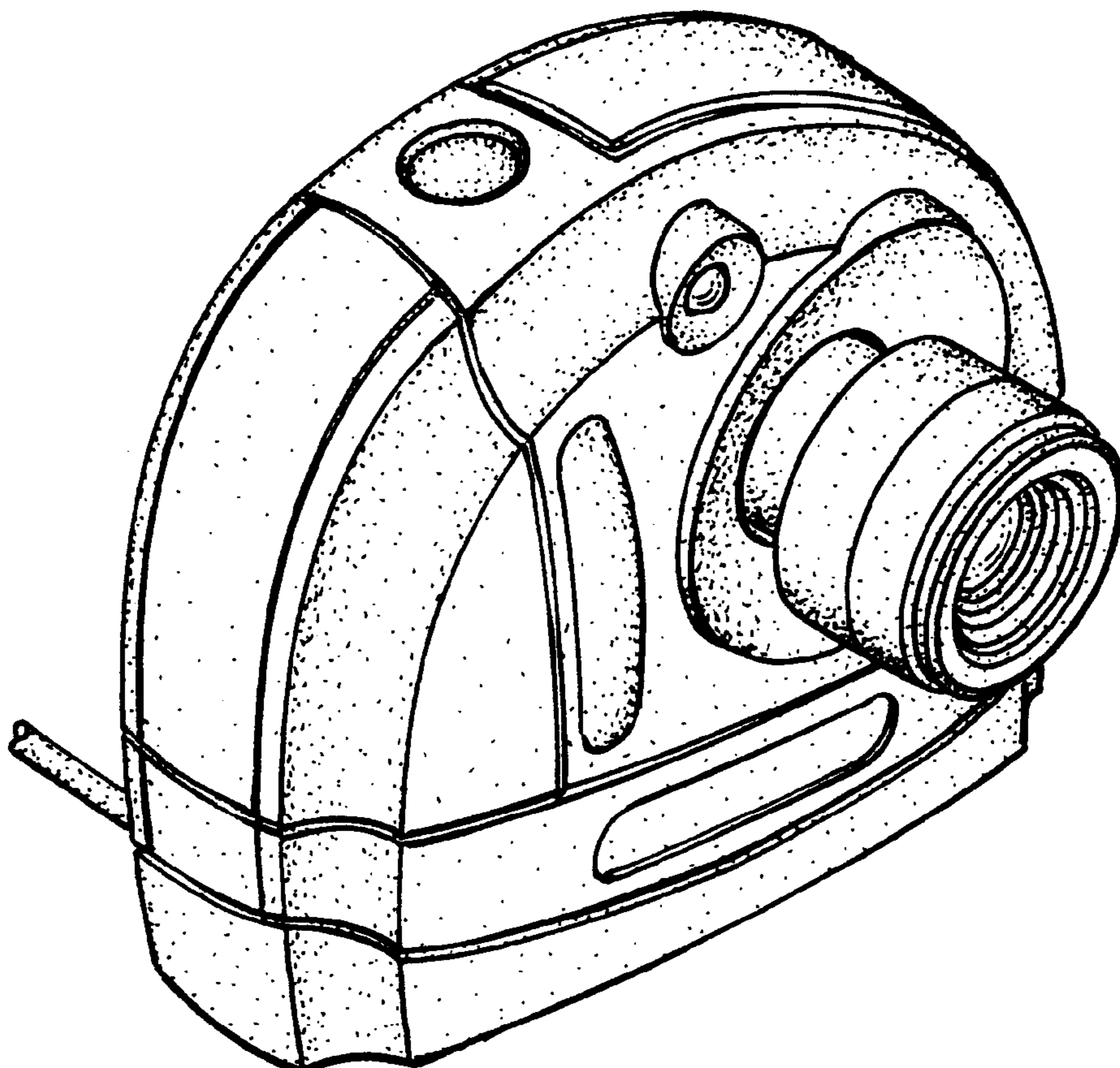
FIG. 5 is a right side elevational view thereof;

FIG. 6 is a rear elevational view thereof;

FIG. 7 is a bottom plan view thereof; and,

FIG. 8 is a front elevational view of a second embodiment of the PC video camera, the undisclosed rear, top, bottom and side views being identical to those shown in the first embodiment.

1 Claim, 3 Drawing Sheets



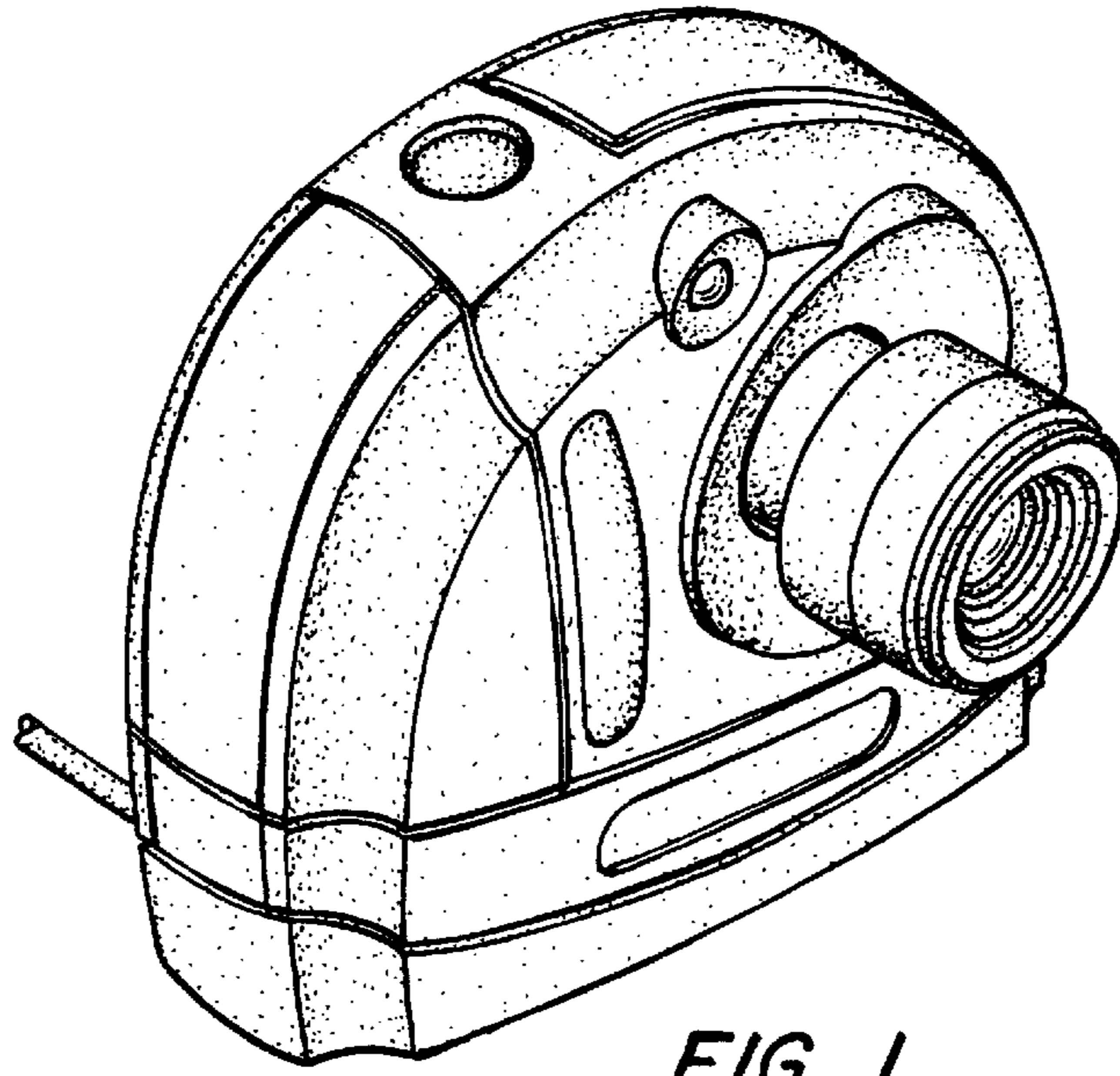


FIG. 1.

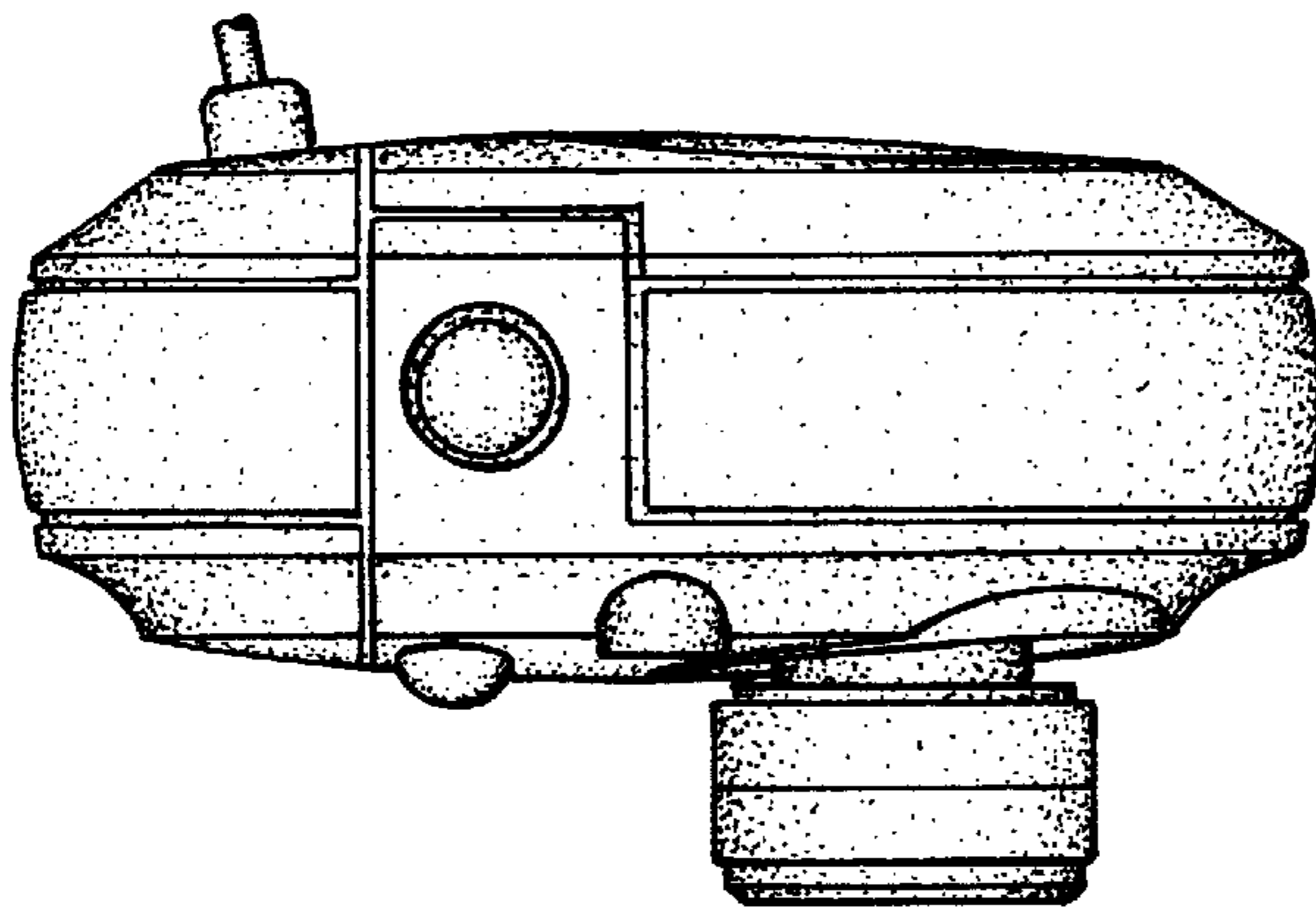


FIG. 2.

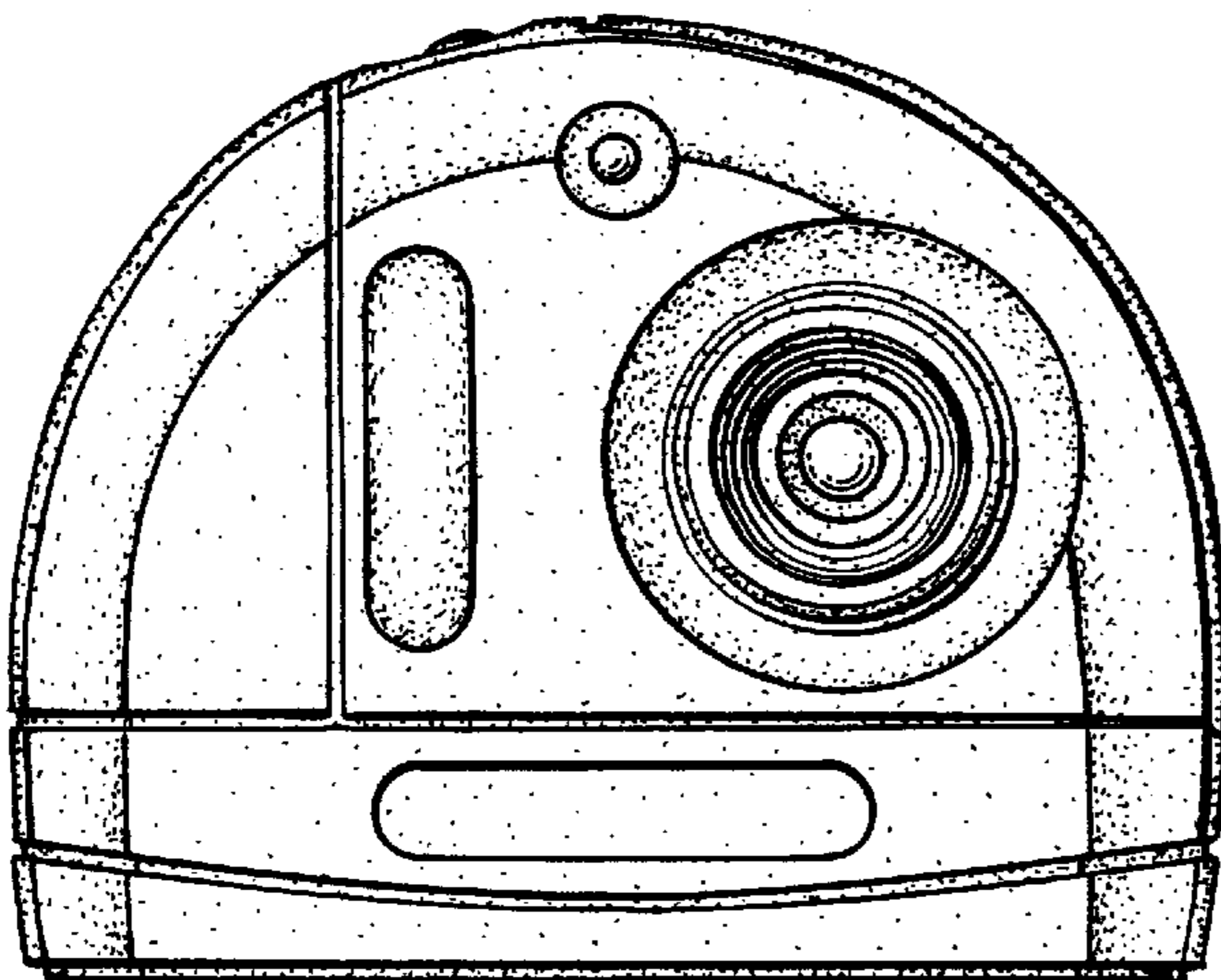


FIG. 3.

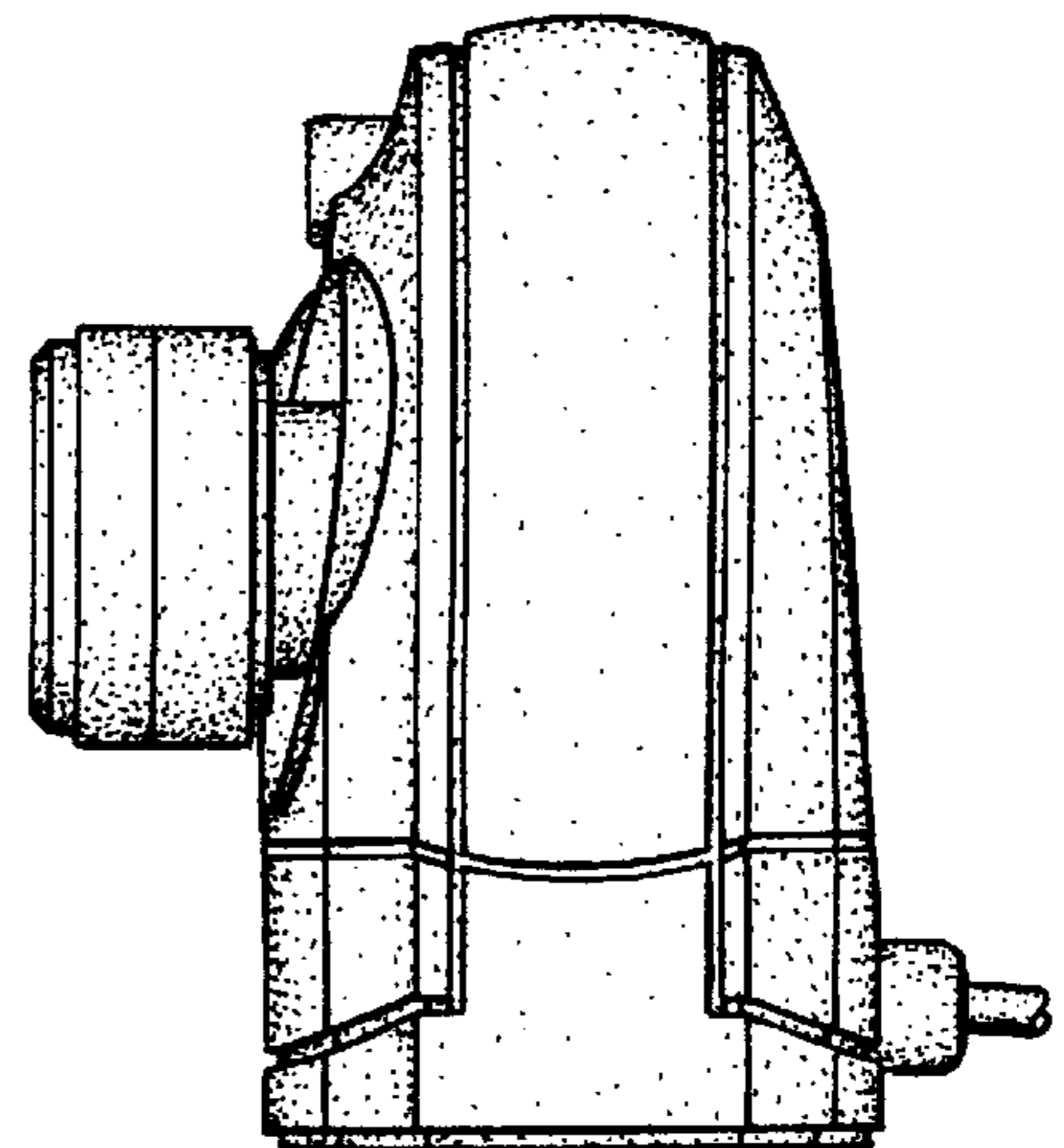


FIG. 4.

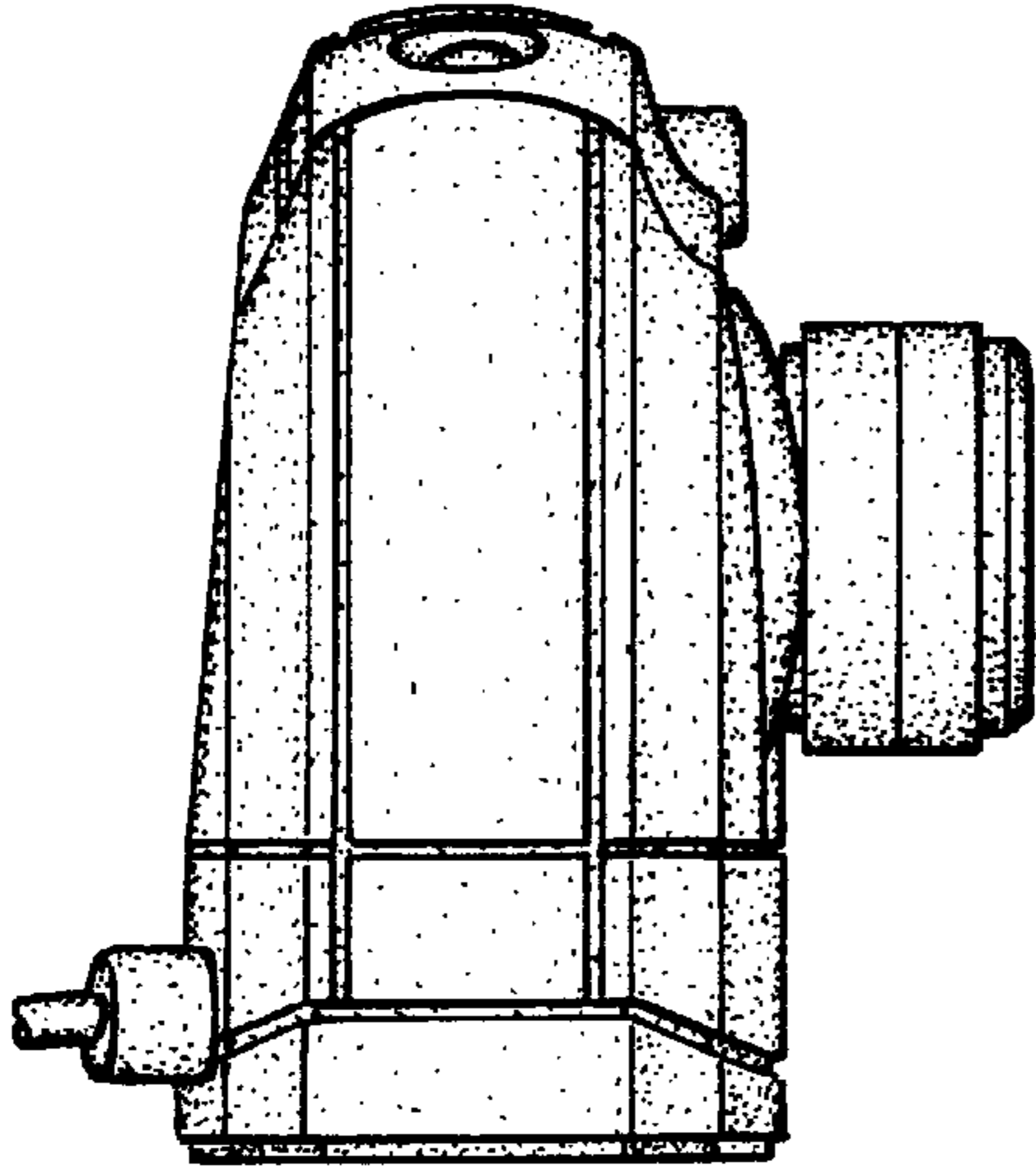


FIG. 5.

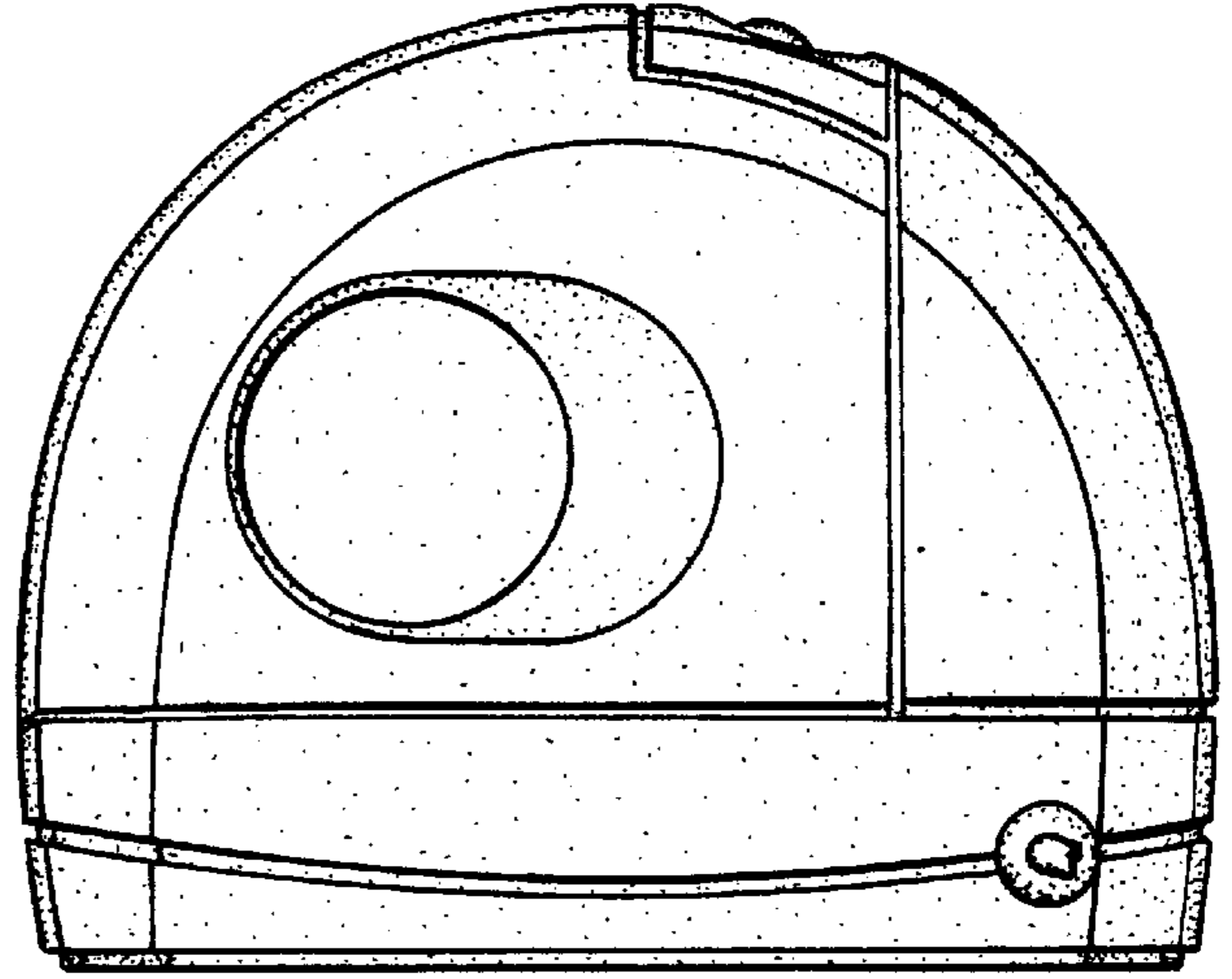


FIG. 6.

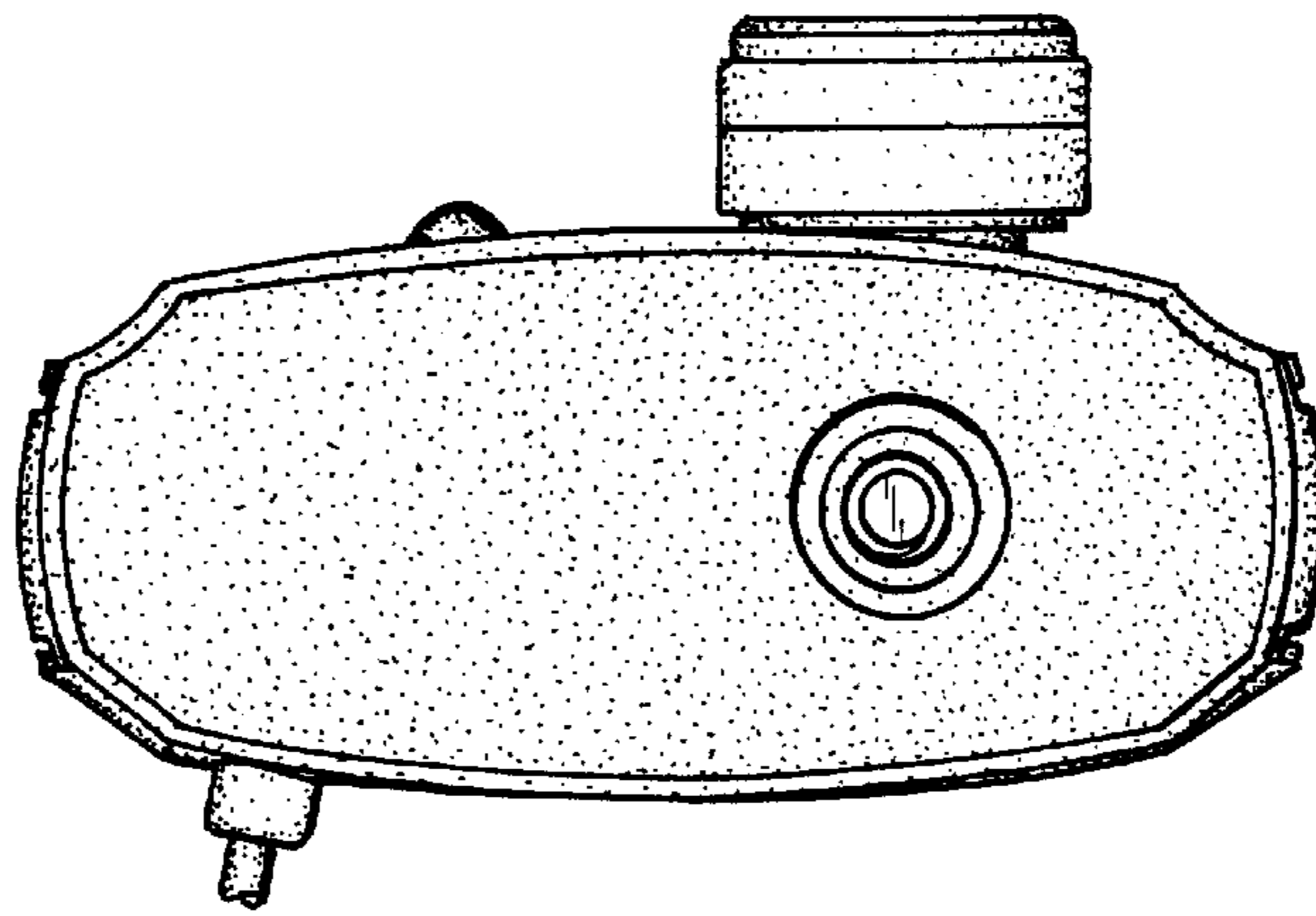


FIG. 7.

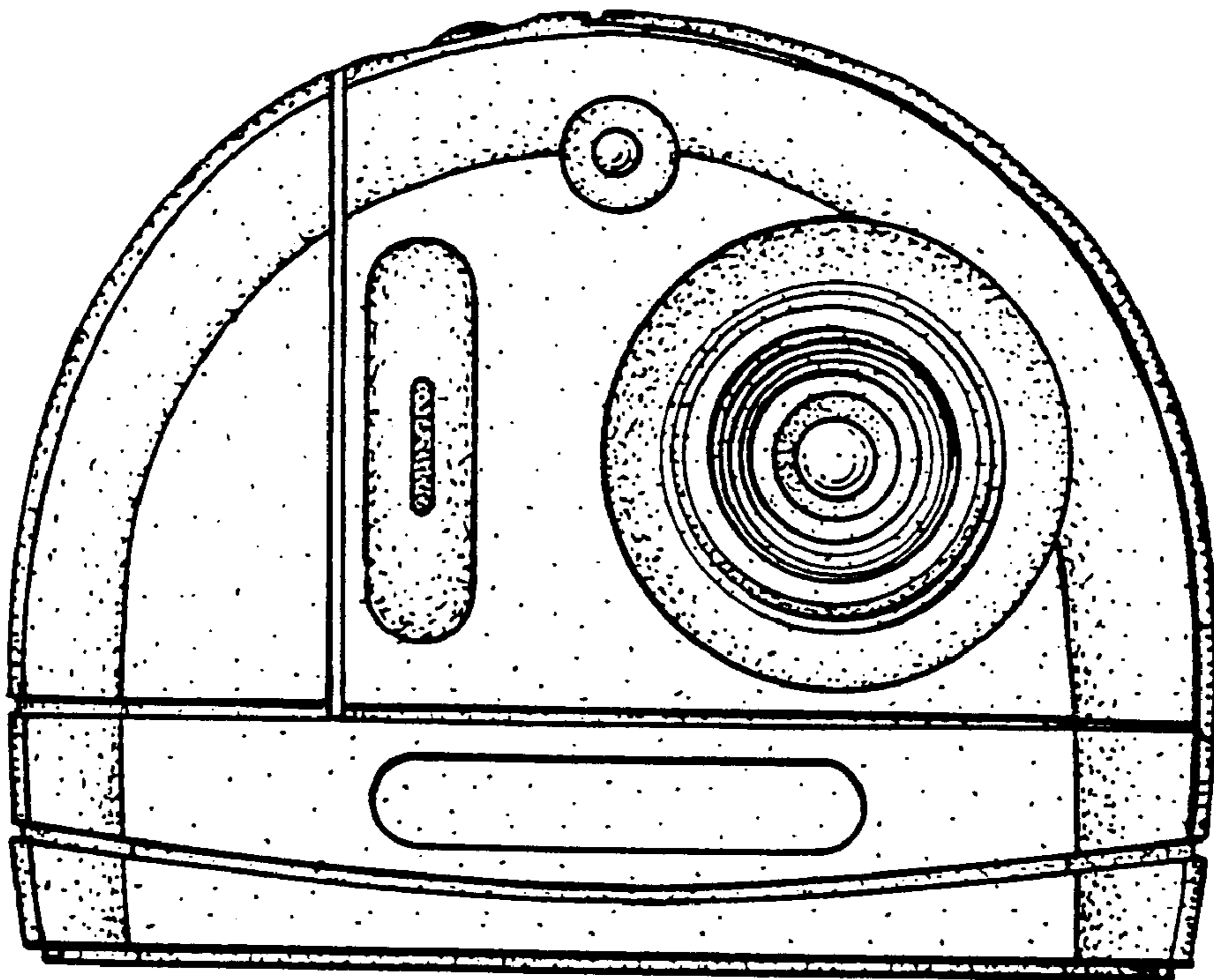


FIG. 8.