



US00D428428S

United States Patent [19] Ono

[11] Patent Number: Des. 428,428

[45] Date of Patent: ** Jul. 18, 2000

[54] CAMERA LENS

[75] Inventor: Arata Ono, Urawa, Japan

[73] Assignee: Nikon Corporation, Tokyo, Japan

[**] Term: 14 Years

[21] Appl. No.: 29/101,890

[22] Filed: Mar. 12, 1999

[51] LOC (7) Cl. 16-06

[52] U.S. Cl. D16/134; D16/219

[58] Field of Search D16/134, 136,
D16/219, 237; 359/703, 704, 815, 819,
826-828; 396/529-531, 544

[56] **References Cited**

U.S. PATENT DOCUMENTS

D. 251,669	4/1979	Ueda et al.	D16/134
D. 375,969	11/1996	Watanabe	D16/134
D. 388,104	12/1997	Ono et al.	D16/134
4,118,713	10/1978	Murakami et al.	396/529

OTHER PUBLICATIONS

Popular Photography, p. 77 (Minolta's Sigma Lens), Nov. 1990.

Primary Examiner—Adir Aronovich
Attorney, Agent, or Firm—Oliff & Berridge, PLC

[57] **CLAIM**

The ornamental design for a camera lens, as shown.

DESCRIPTION

FIG. 1 is a front elevational view of a camera lens showing my new design;

FIG. 2 is a left side elevational view thereof;

FIG. 3 is a rear elevational view thereof;

FIG. 4 is a right side elevational view thereof;

FIG. 5 is a top plan view thereof;

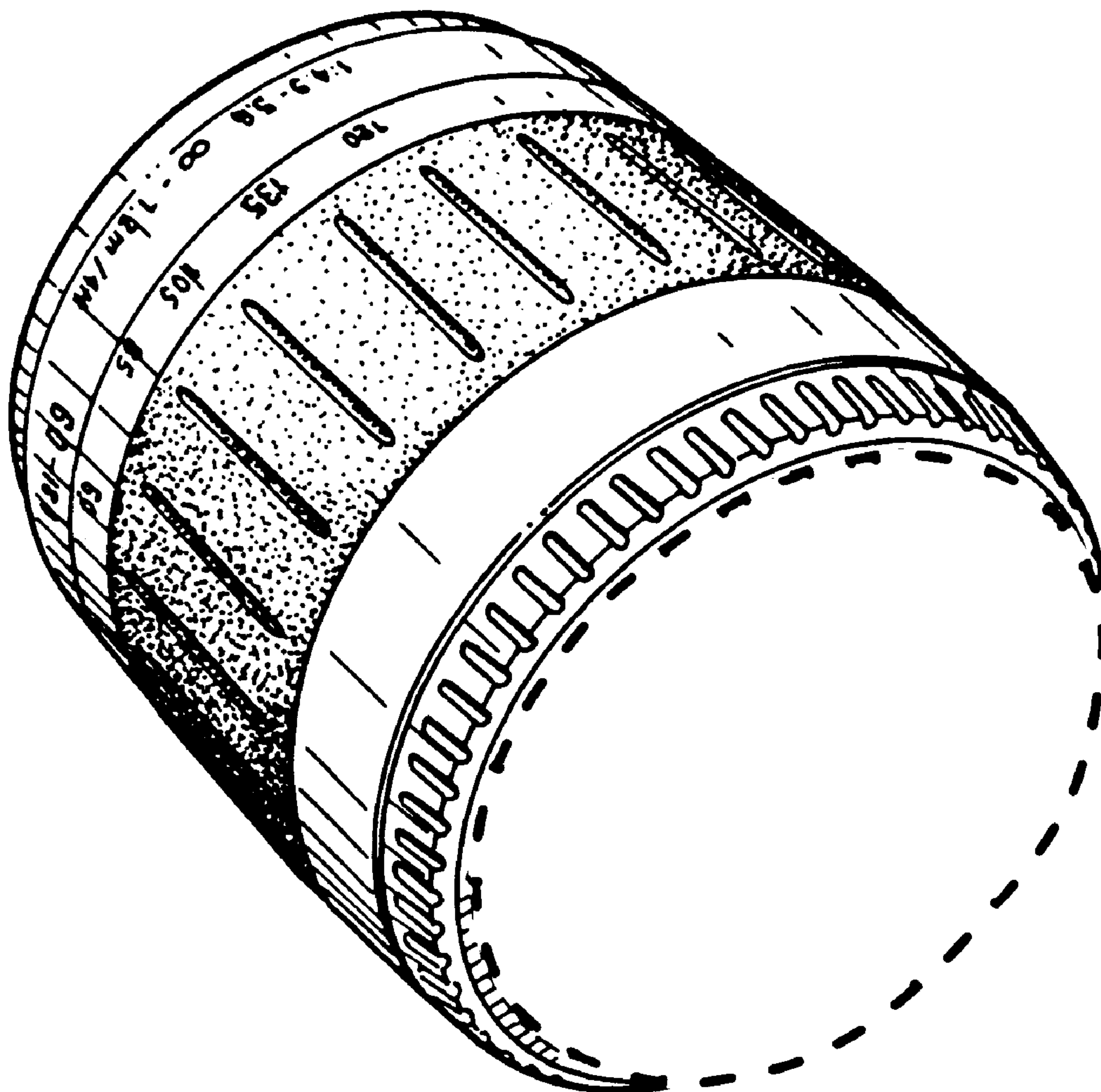
FIG. 6 is a bottom plan view thereof; and,

FIG. 7 is a front perspective view thereof.

The broken lines which define the bounds of the claimed design form no part thereof.

The broken line environmental showing is for illustrative purposes only and forms no part of the claimed design.

1 Claim, 5 Drawing Sheets



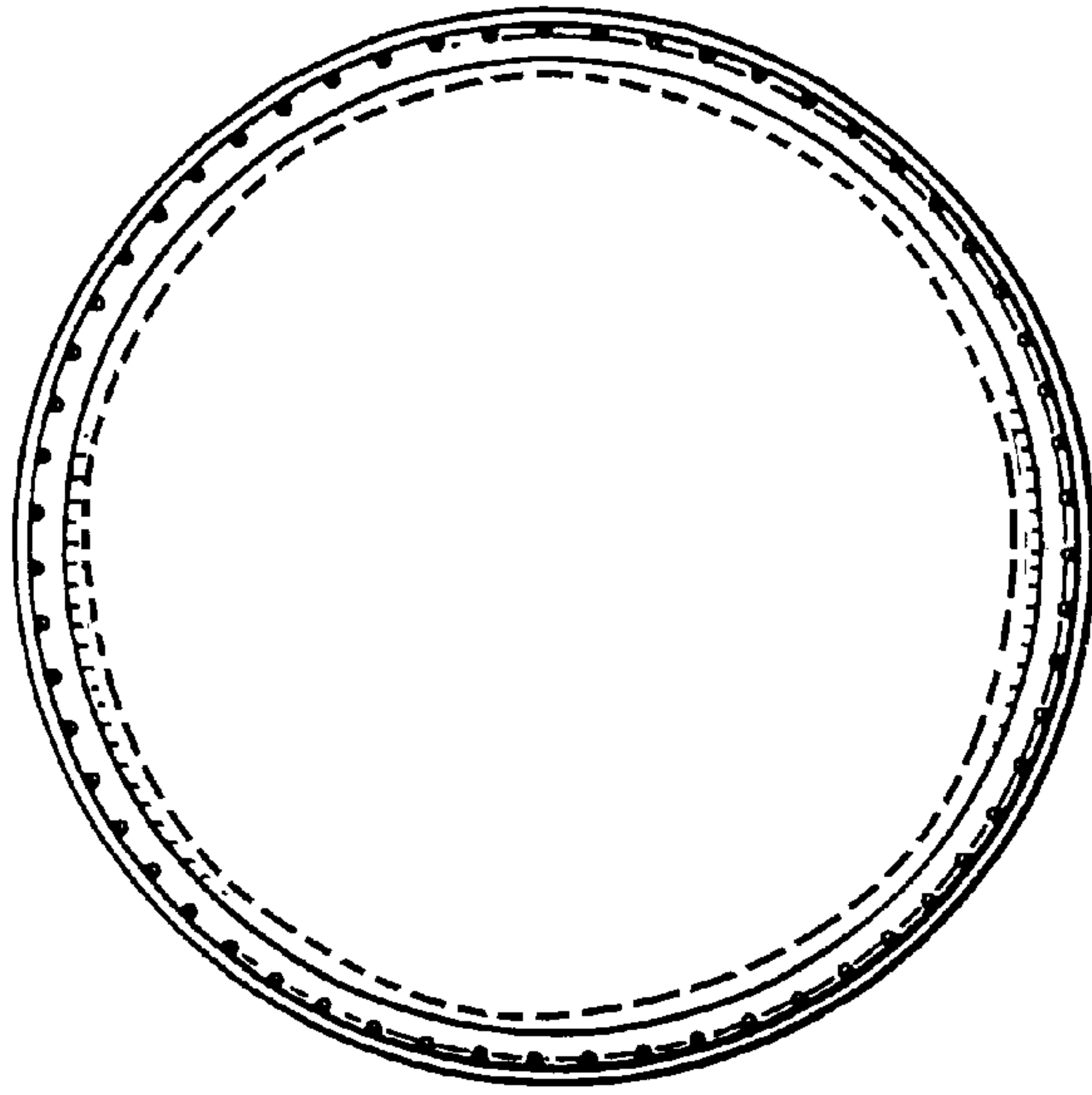


FIG. 1

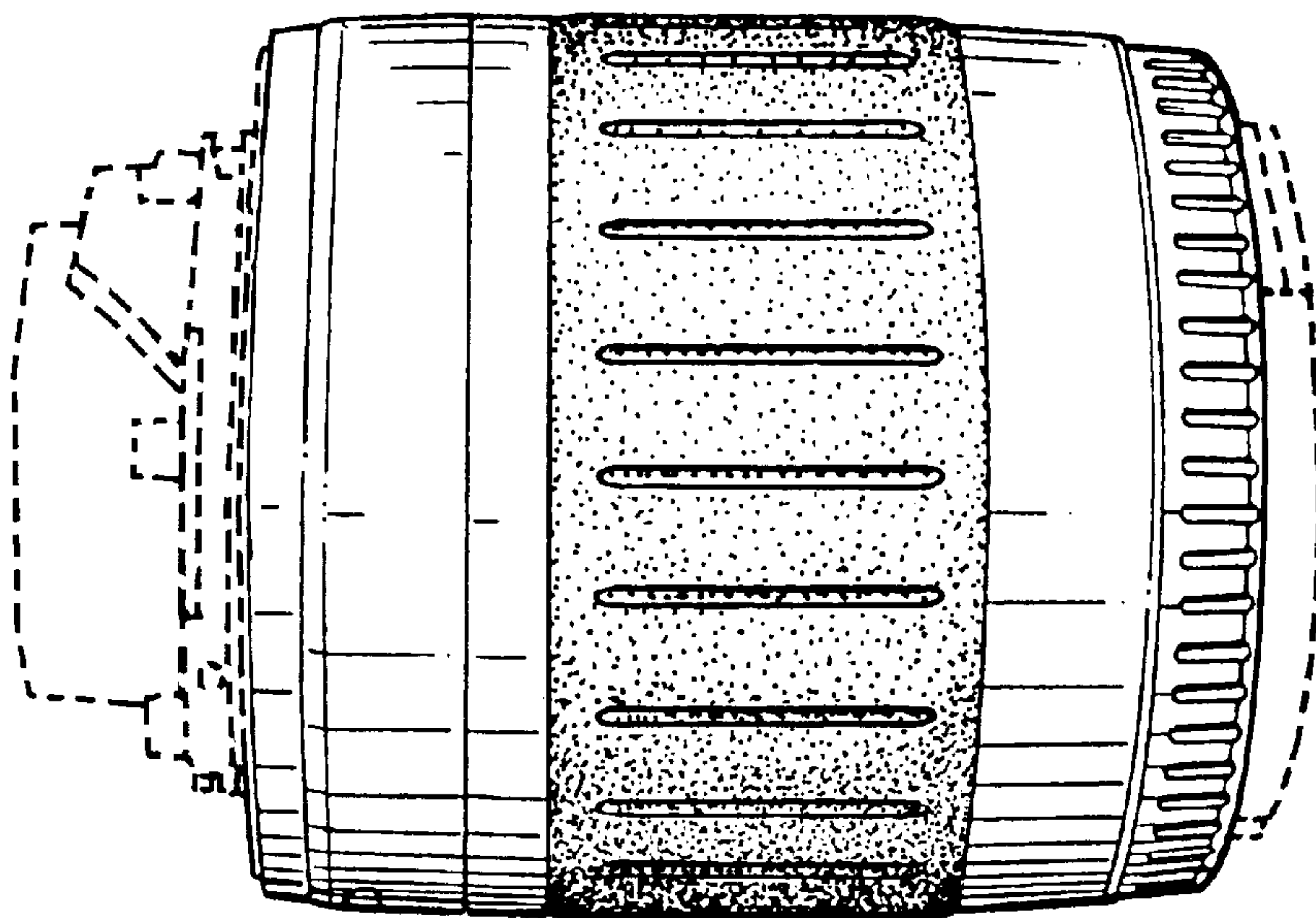


FIG. 2

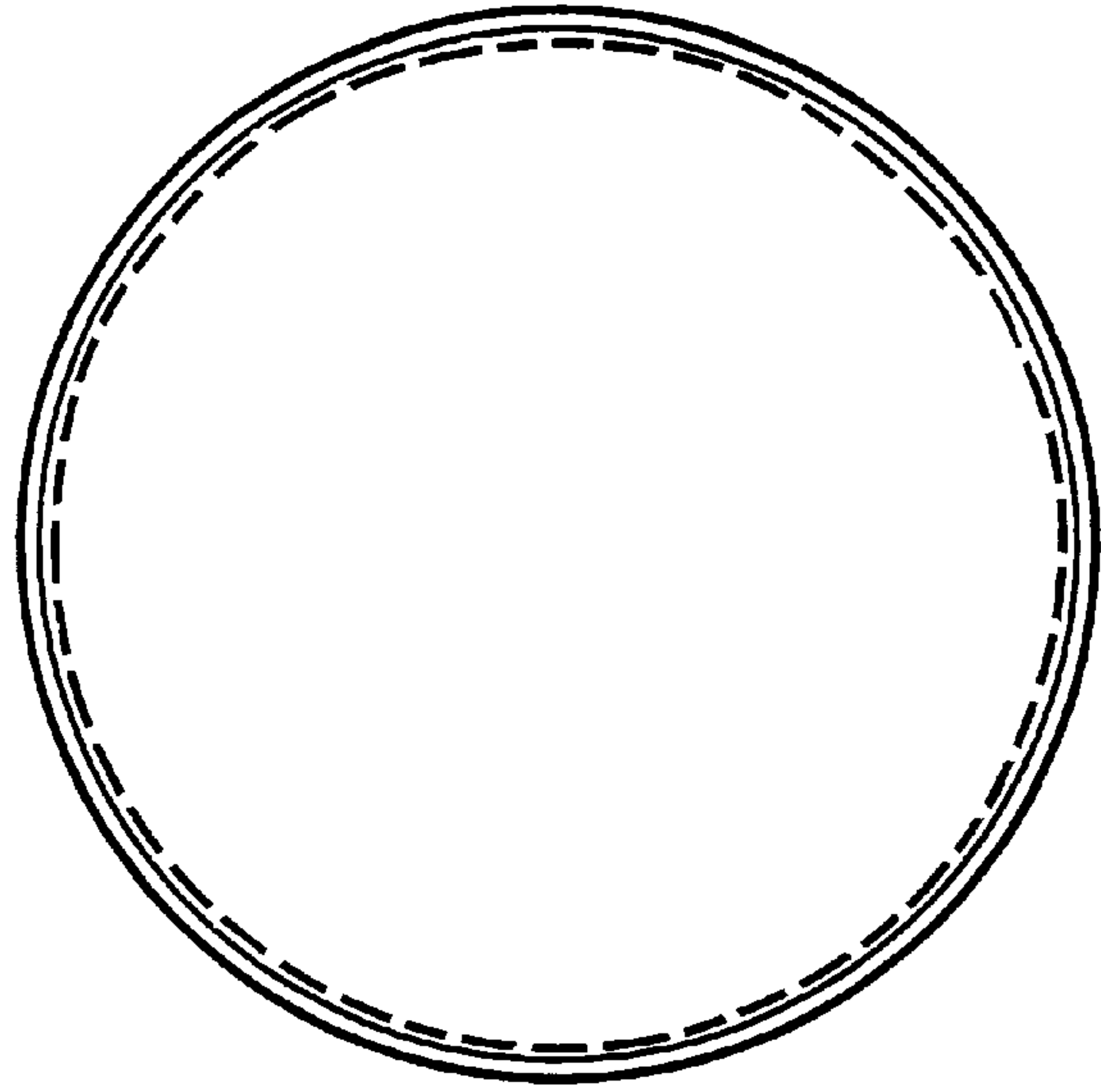


FIG. 3

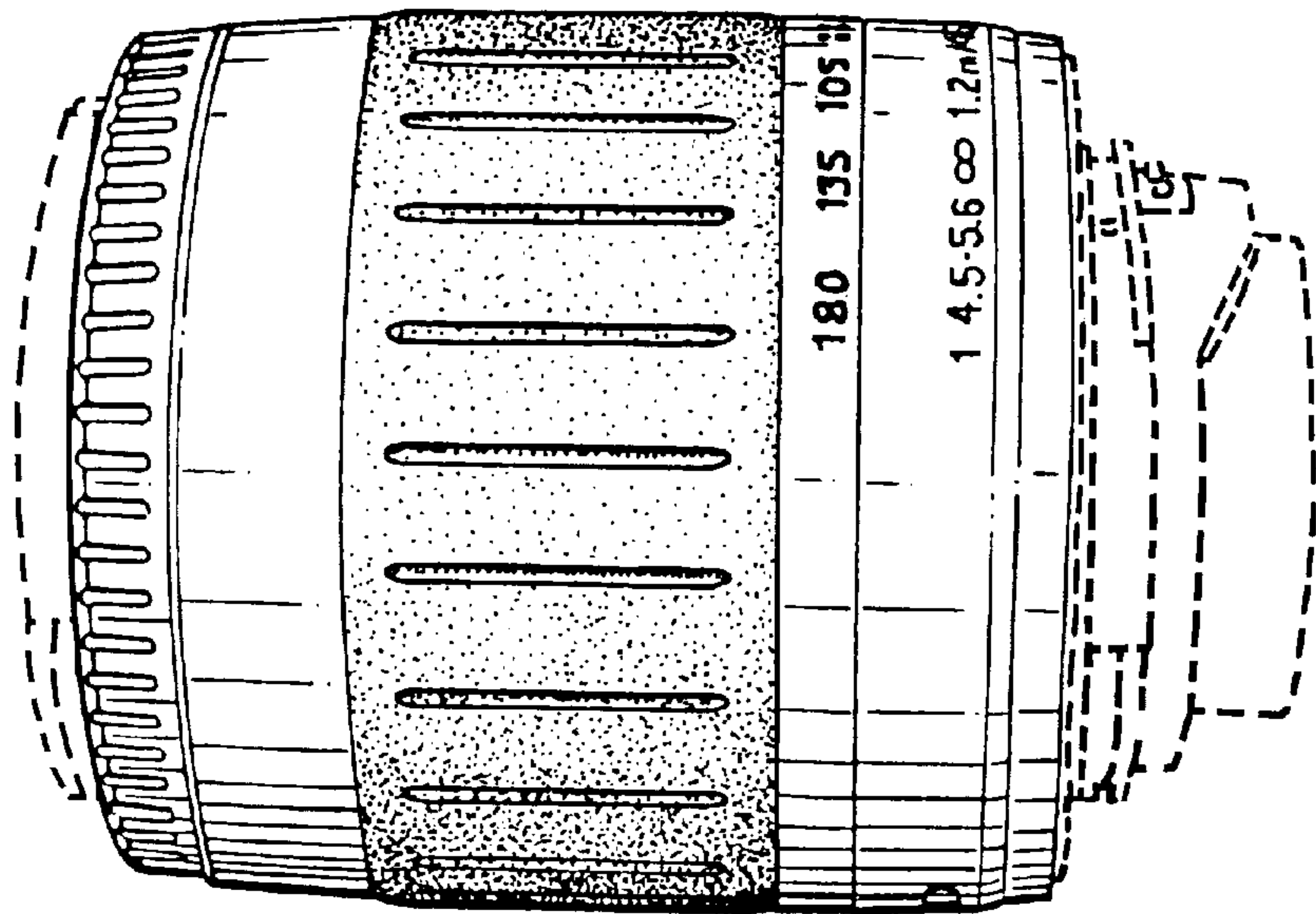


FIG. 4

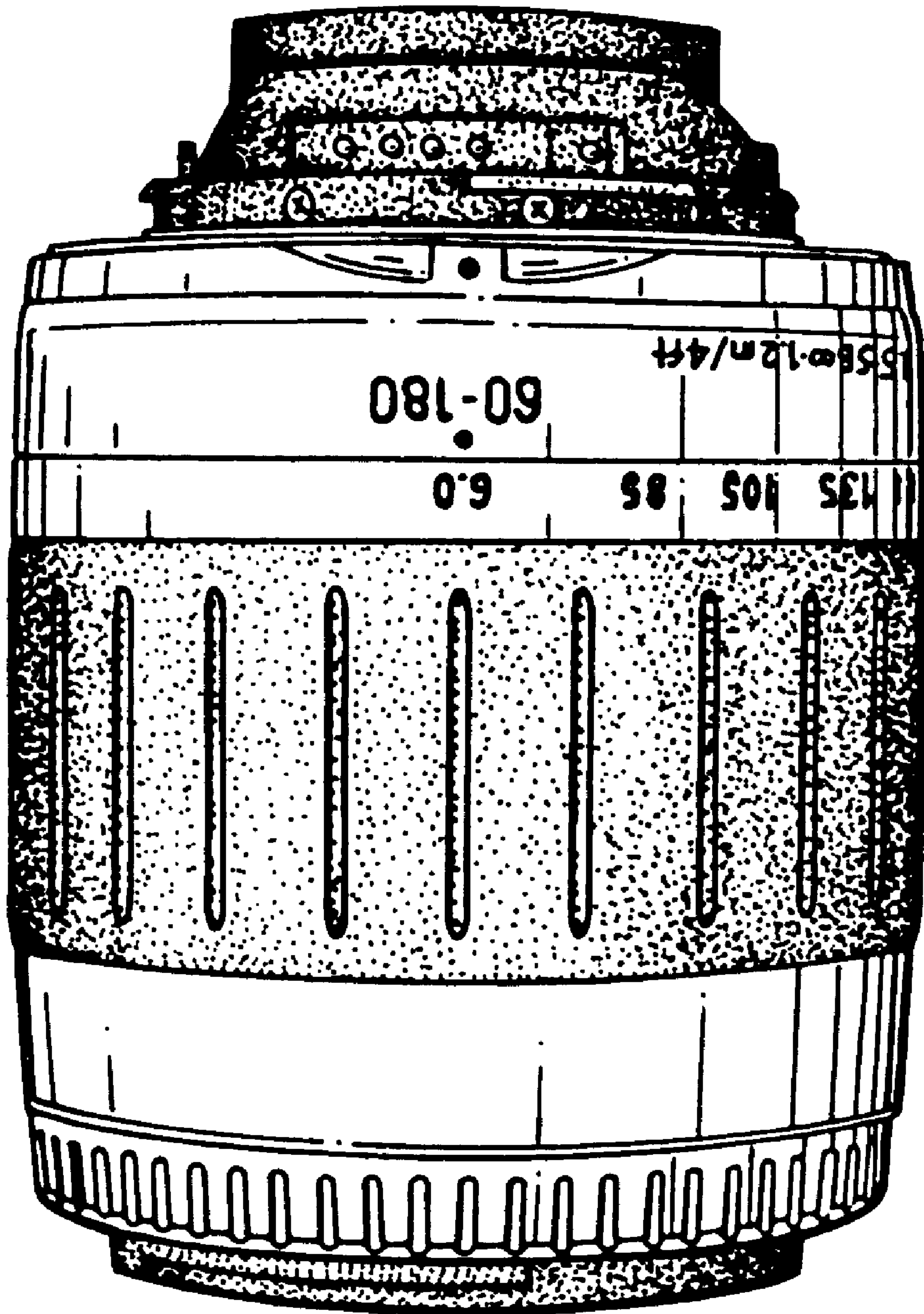


FIG. 5

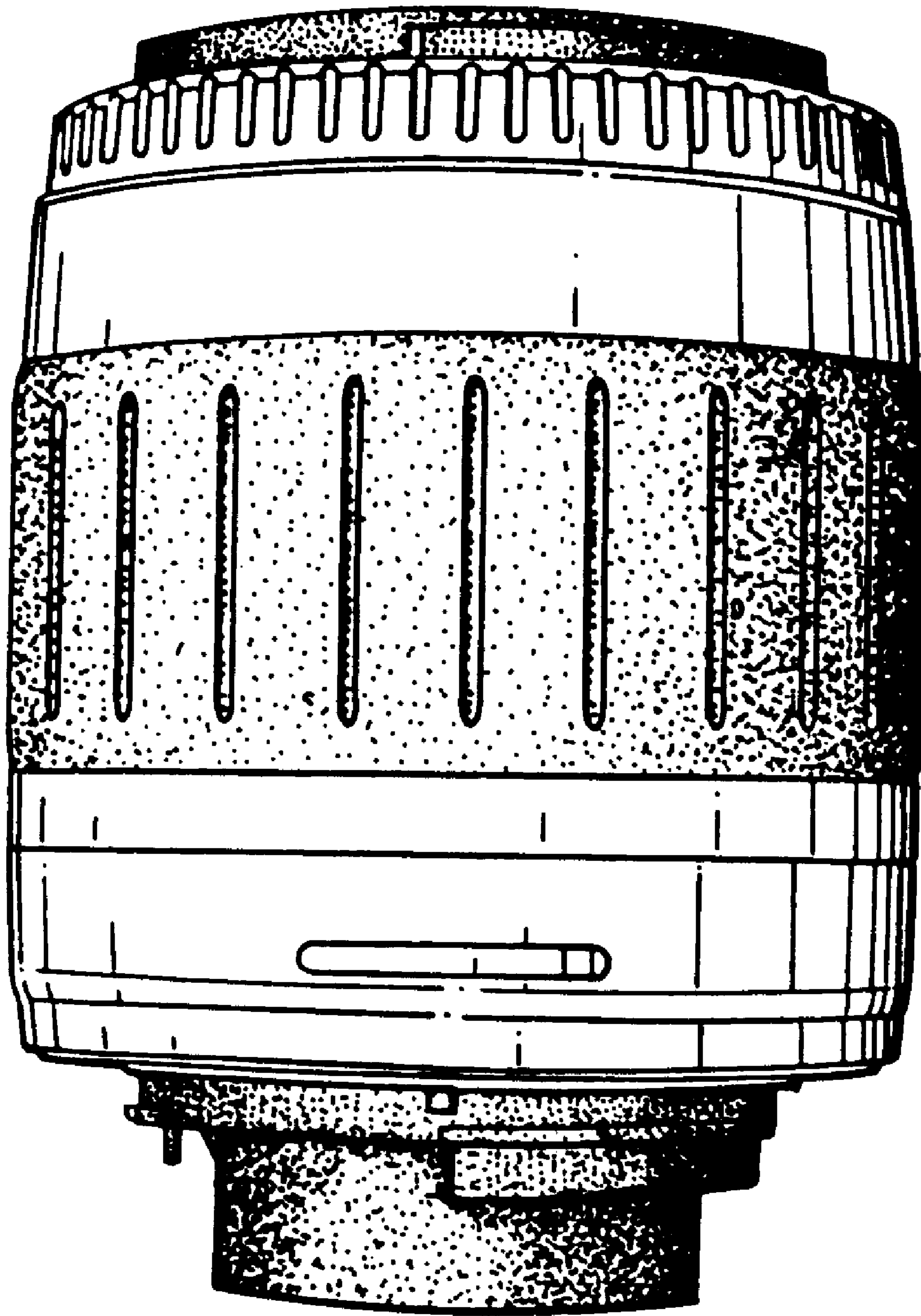


FIG. 6

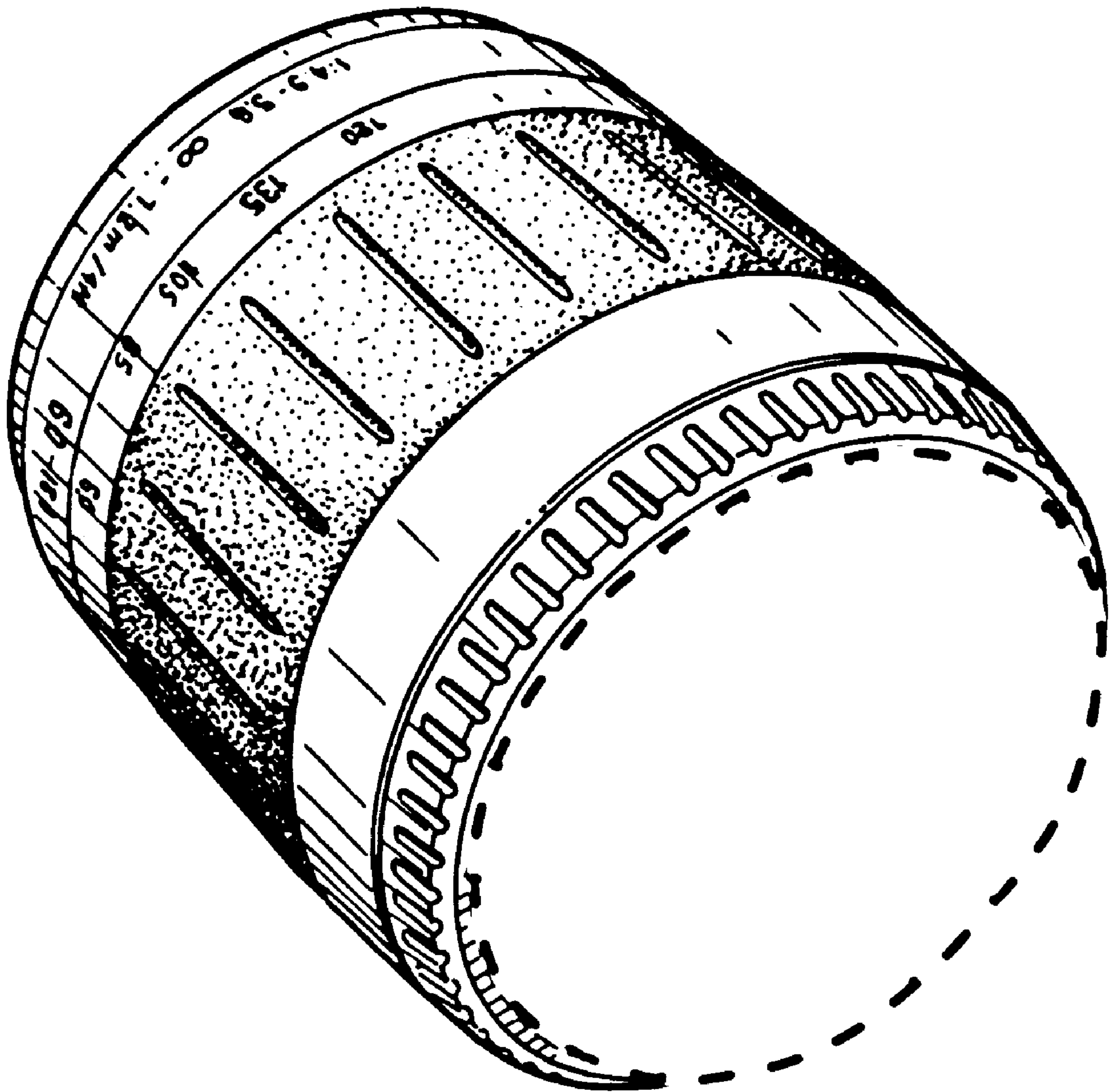


FIG. 7