



US00D428426S

United States Patent [19]
Brazell

[11] **Patent Number: Des. 428,426**
[45] **Date of Patent: ** Jul. 18, 2000**

[54] **MITER SAW**
[75] Inventor: **Kenneth M. Brazell**, Phoenix, Ariz.
[73] Assignee: **Ryobi North America, Inc.**, Anderson, S.C.
[**] Term: **14 Years**
[21] Appl. No.: **29/103,309**
[22] Filed: **Apr. 13, 1999**
[51] **LOC (7) Cl.** **15-09**
[52] **U.S. Cl.** **D15/133**
[58] **Field of Search** D15/133; 83/471.1, 83/471.2, 471.3, 477, 581

D. 389,494 1/1998 Chen .
D. 391,585 3/1998 Chen .
D. 391,973 3/1998 Price et al. .
D. 399,219 10/1998 Chang .
D. 400,215 10/1998 Price et al. .
4,265,154 5/1981 Batson .
5,020,406 6/1991 Sasaki et al. .
5,046,390 9/1991 Sasaki .
5,063,802 11/1991 Shiotani et al. .
5,129,300 7/1992 Kawakami .
5,146,825 9/1992 Dehari .
5,181,448 1/1993 Terpstra .
5,370,025 12/1994 Itzov .
5,437,319 8/1995 Garuglieri .
5,445,056 8/1995 Folci .
5,524,516 6/1996 Sasaki et al. .
5,564,323 10/1996 Sasaki et al. .
5,623,860 4/1997 Schoene et al. .
5,638,731 6/1997 Garuglieri .
5,660,094 8/1997 Sasaki et al. .
5,752,422 5/1998 Inoue et al. .
5,778,747 7/1998 Chen .
5,802,943 9/1998 Brunson et al. .
5,819,619 10/1998 Miller et al. .
5,819,624 10/1998 Brault et al. .
5,823,085 10/1998 Kondo et al. .
5,829,333 11/1998 Itzov .
5,865,079 2/1999 Itzov 83/471.3

[56] **References Cited**
U.S. PATENT DOCUMENTS
D. 287,694 1/1987 Miyamoto .
D. 295,823 5/1988 Brickner, Jr. et al. .
D. 305,542 1/1990 Miyamoto et al. .
D. 306,031 2/1990 Ushiwata et al. .
D. 317,110 5/1991 Arehart .
D. 324,055 2/1992 Sakai et al. .
D. 326,668 6/1992 Arehart et al. D15/133
D. 331,416 12/1992 Fushiya et al. .
D. 334,576 4/1993 Kawakami et al. .
D. 334,756 4/1993 Sakamoto et al. .
D. 338,605 8/1993 Dehari .
D. 346,173 4/1994 Price .
D. 348,889 7/1994 Chang D15/133
D. 351,393 10/1994 Sasaki et al. .
D. 352,509 11/1994 Kriaski et al. .
D. 352,948 11/1994 Chang D15/133
D. 363,726 10/1995 Chang D15/133
D. 374,803 10/1996 Terpstra et al. .
D. 376,806 12/1996 Holly et al. .
D. 381,667 7/1997 Itzov et al. .
D. 383,472 9/1997 Higuchi et al. .
D. 383,765 9/1997 Kani et al. .
D. 388,442 12/1997 Shibata et al. .
D. 388,443 12/1997 Kondo .

Primary Examiner—Antoine Duval Davis
Attorney, Agent, or Firm—Brooks & Kushman P.C.

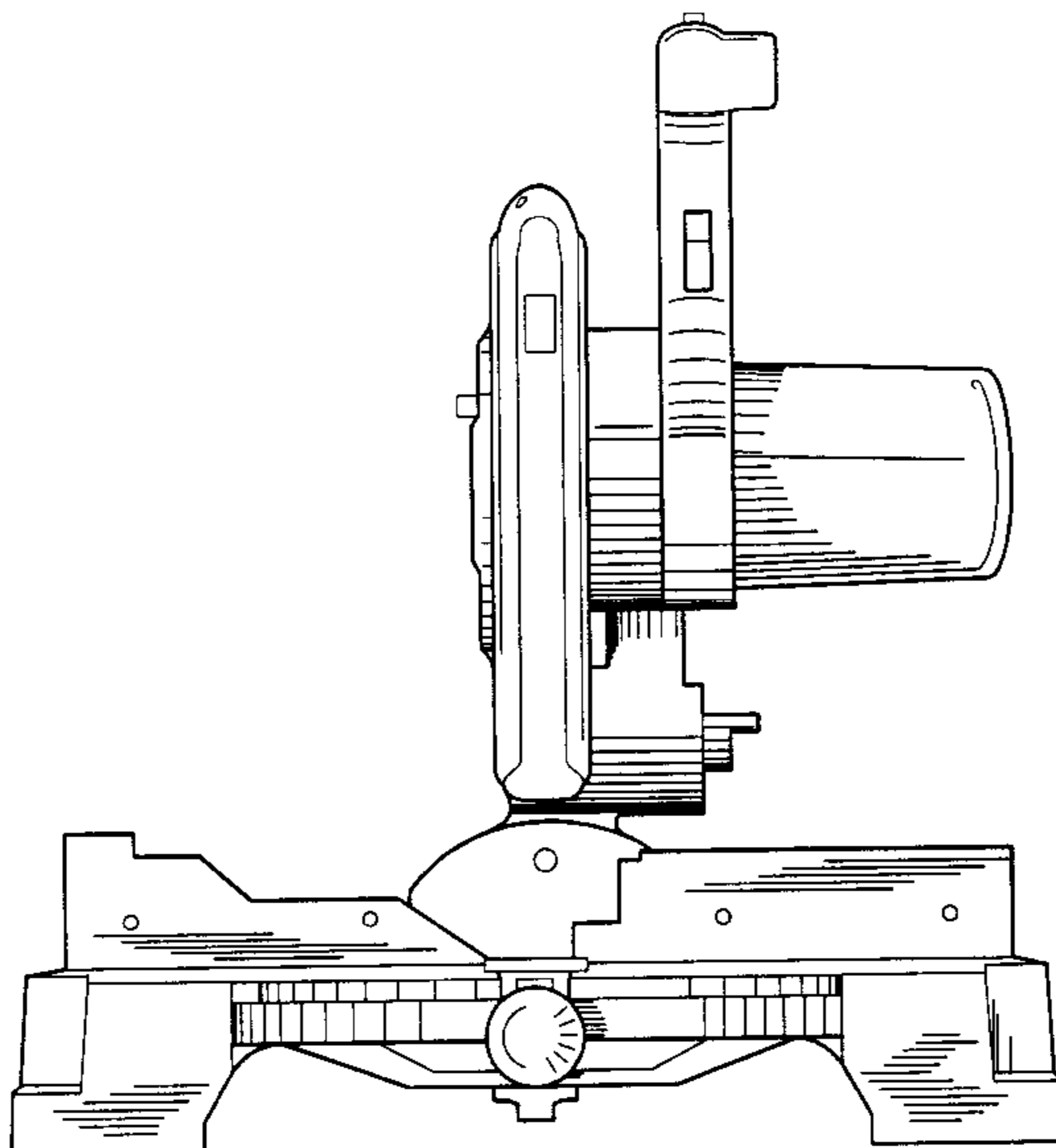
[57] **CLAIM**

The ornamental design for a miter saw, as shown and described.

DESCRIPTION

FIG. 1 is an upper front side view of the miter saw; FIG. 2 is a rear side perspective view; FIG. 3 is a right end view; FIG. 4 is a left end view; FIG. 5 is a top plan view; and, FIG. 6 is a bottom plan view.

1 Claim, 3 Drawing Sheets



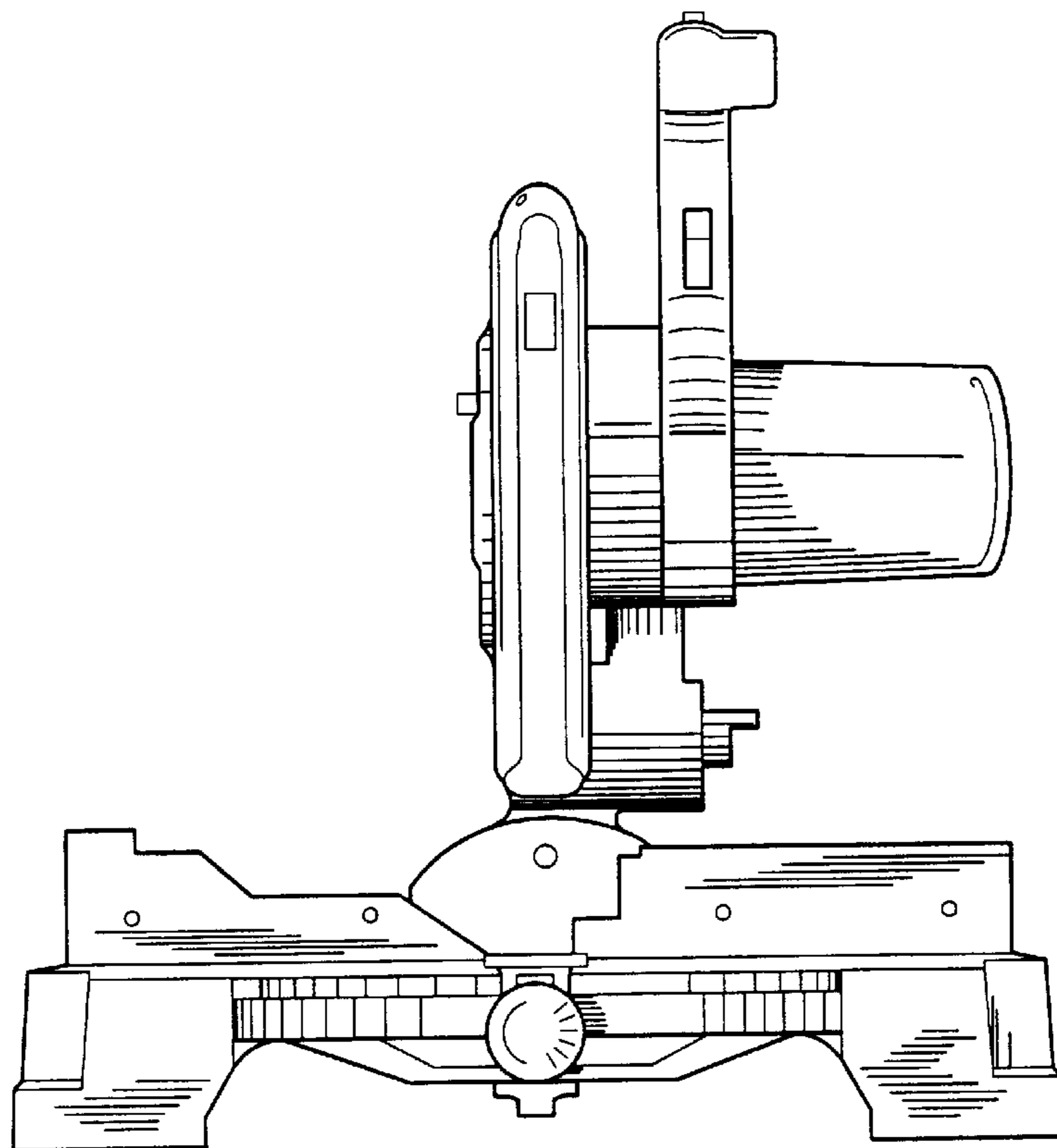


FIG. - 1

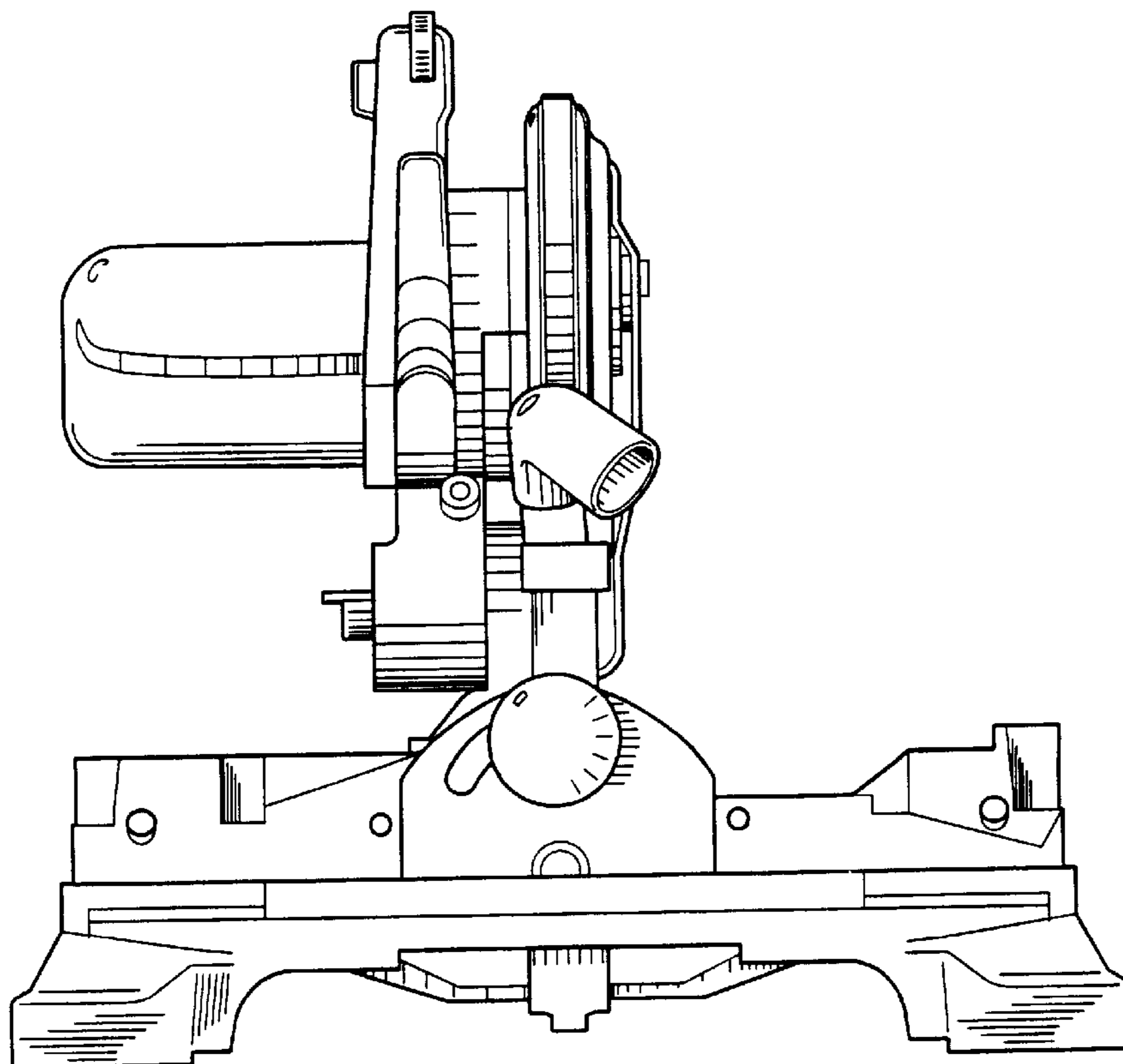


FIG. - 2

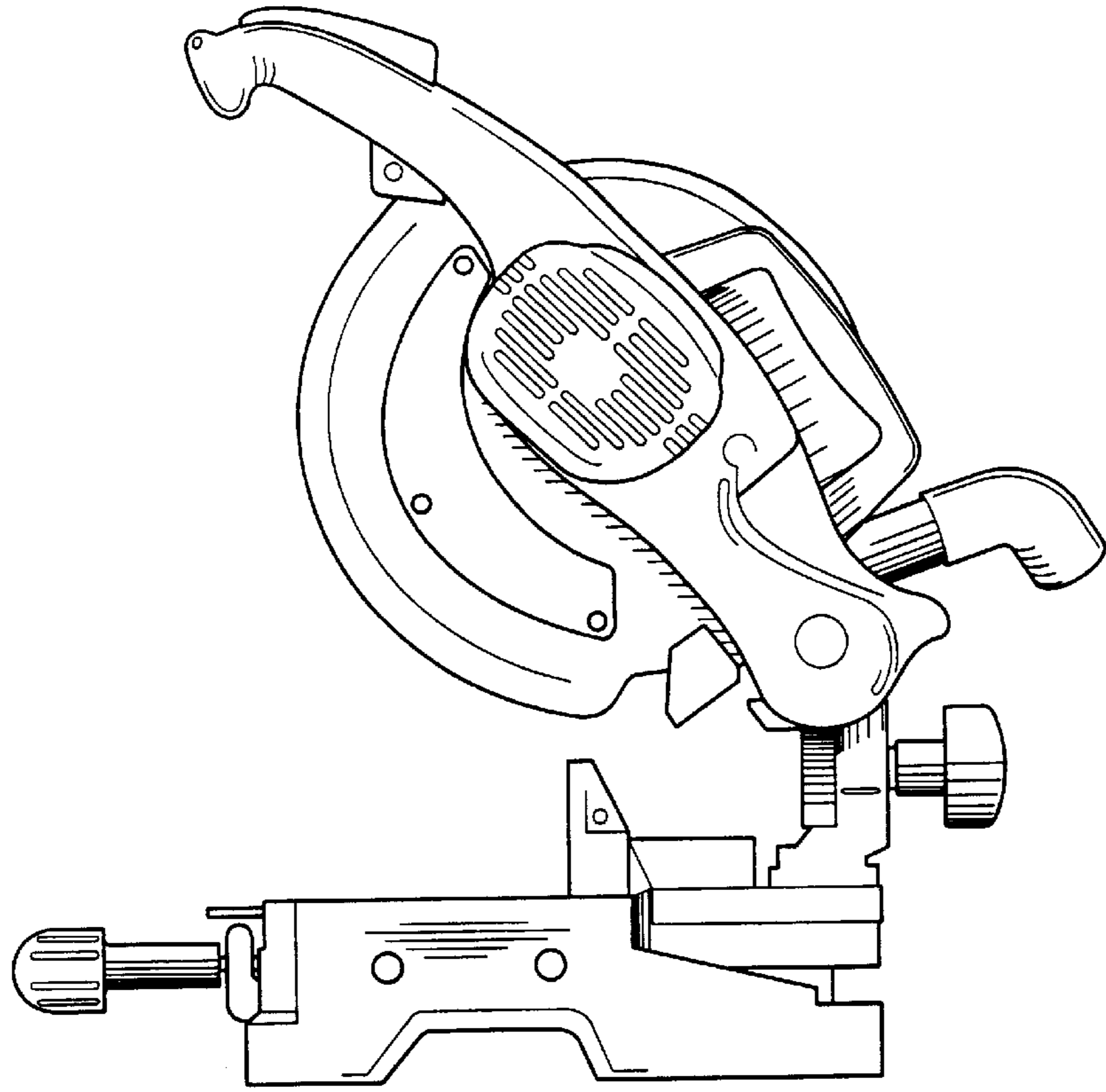


FIG. - 3

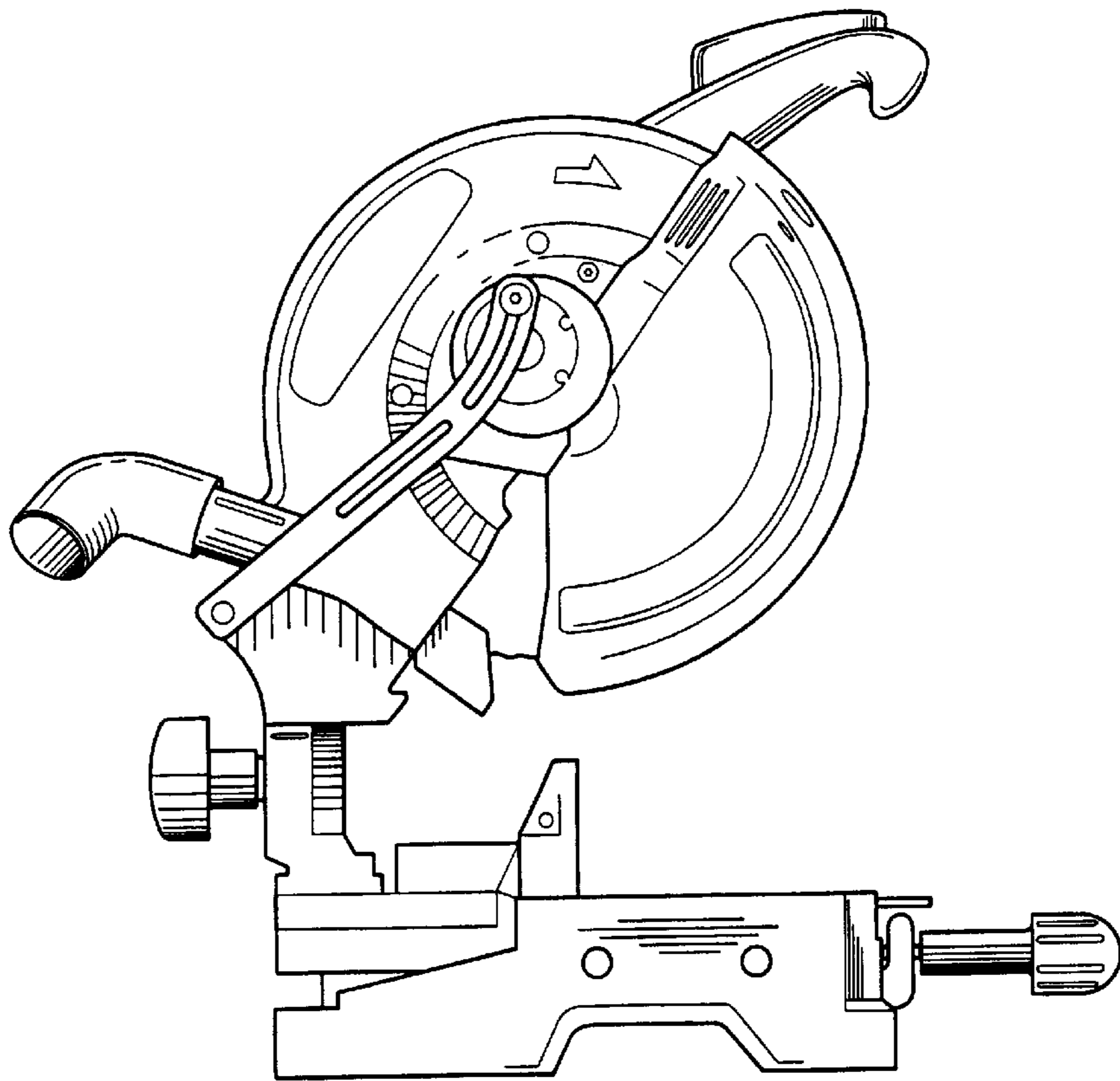


FIG. - 4

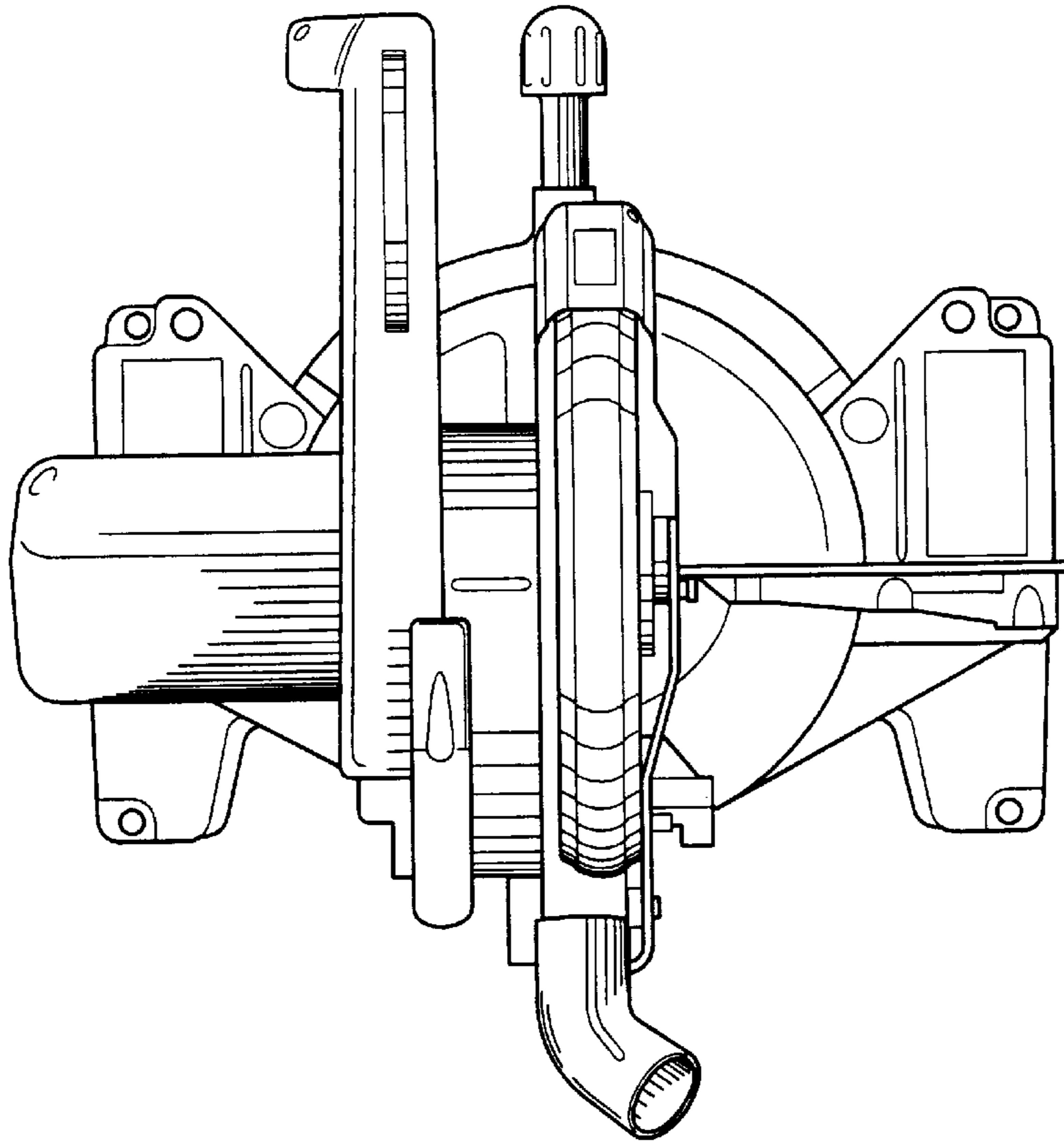


FIG. - 5

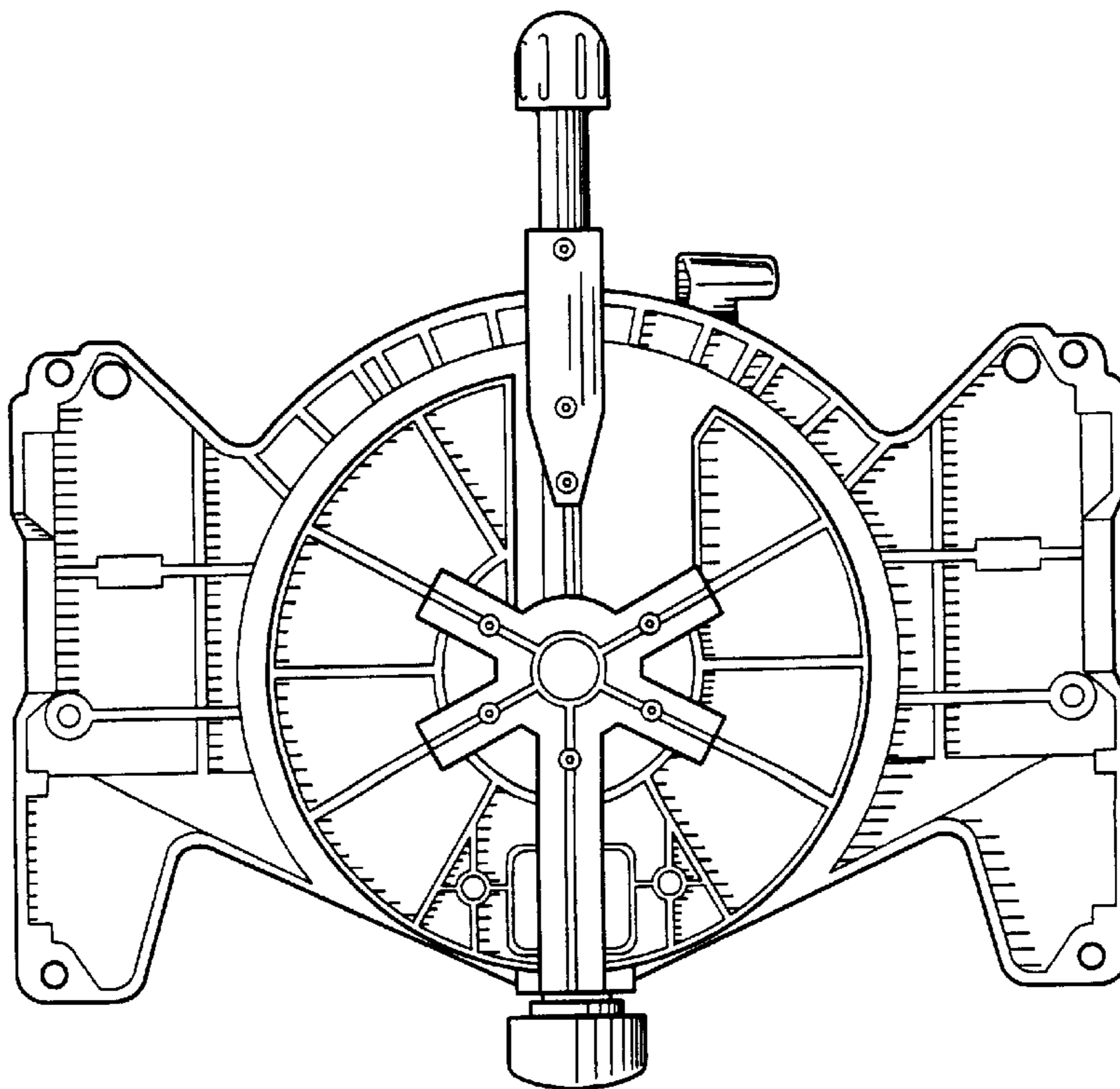


FIG. - 6