



US00D428418S

# United States Patent [19]

Benedict et al.

[11] Patent Number: Des. 428,418

[45] Date of Patent: \*\* Jul. 18, 2000

[54] ARM AND COMPUTER PAD SUPPORT

5,490,710 2/1996 Dearing et al. .  
5,876,002 3/1999 White et al. .

[75] Inventors: **Duncan J. Benedict; Shu-Ling Benedict**, both of Worcester, Mass.

*Primary Examiner*—M. H. Tung  
*Attorney, Agent, or Firm*—Robert J Doherty

[73] Assignee: **Flair Industries, Inc.**, Providence, R.I.

[57] CLAIM

[\*\*] Term: 14 Years

The ornamental design for an arm and computer pad support, as shown and described.

[21] Appl. No.: 29/106,058

### DESCRIPTION

[22] Filed: Jun. 9, 1999

[51] LOC (7) Cl. .... 14-02

[52] U.S. Cl. .... D14/459

[58] Field of Search ..... D14/114, 459;  
D6/582-94; 248/118.1, 917-24, 274.1;  
345/156-67; 400/689-93, 715; 428/85,  
95, 96, 319.3; 297/188.14, 188.15, 188.16,  
188.17

FIG. 1 is a top, front perspective view of an arm and computer pad support, on a reduced scale;  
FIG. 2 is a top perspective view thereof;  
FIG. 3 is a left side elevational view of FIG. 2;  
FIG. 4 is a right side elevational view of FIG. 2;  
FIG. 5 is a top plan view of FIG. 2;  
FIG. 6 is a bottom plan view of FIG. 2;  
FIG. 7 is a front elevational view of FIG. 2;  
FIG. 8 is a rear elevational view of FIG. 2;  
FIG. 9 is a top perspective view thereof, the support is shown in an alternate position; and,  
FIG. 10 is a left side elevational view of FIG. 9.

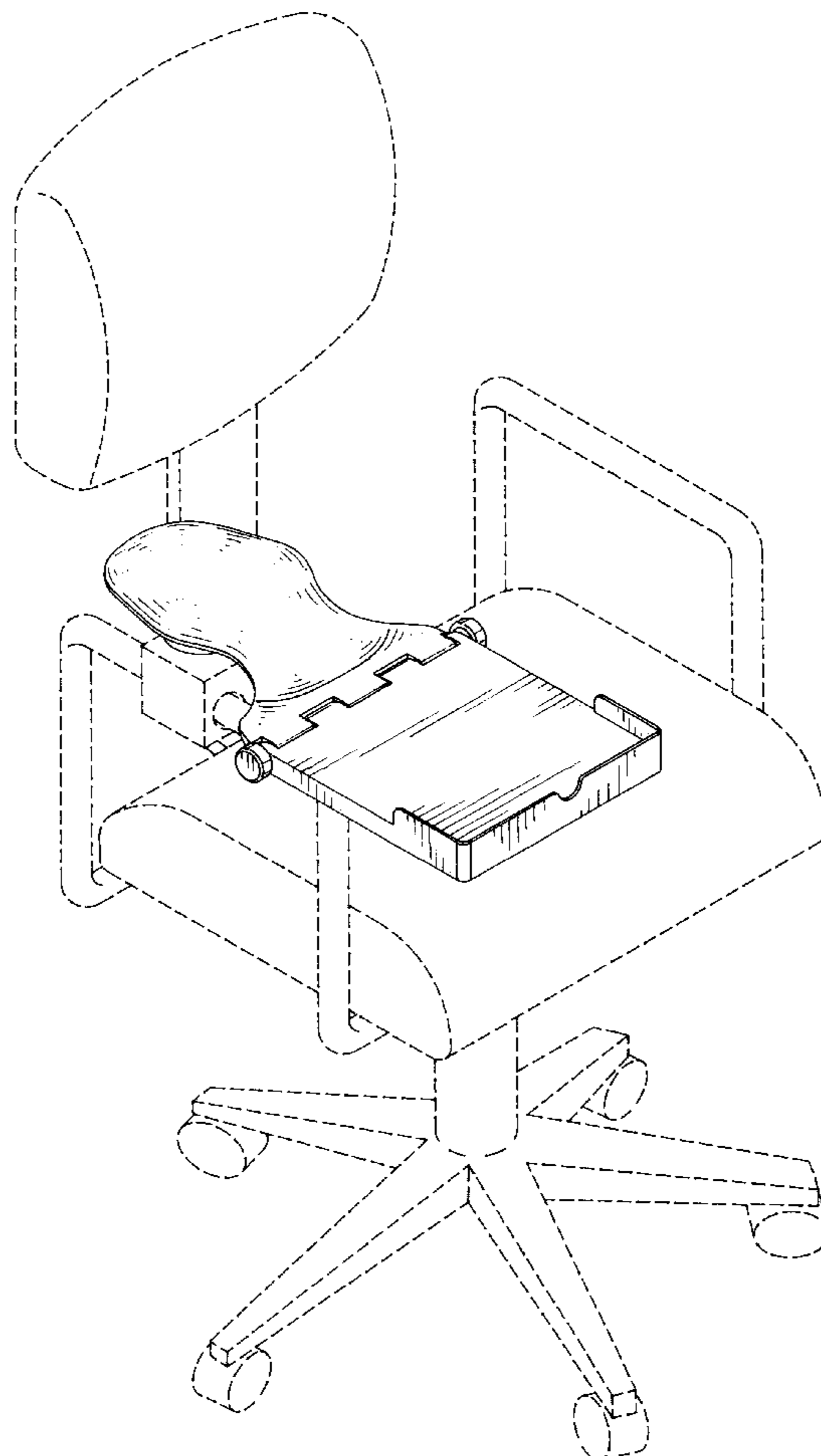
### [56] References Cited

#### U.S. PATENT DOCUMENTS

- D. 339,799 9/1993 Allen .
- D. 368,081 3/1996 Comley .
- D. 374,000 9/1996 Wood .
- 5,119,742 6/1992 Simmie .
- 5,311,210 5/1994 O'Brien et al. .
- 5,433,407 7/1995 Rice .

The broken line showing of a chair and connection element in FIG. 1 is for illustrative purposes and forms no part of the claimed design.

1 Claim, 5 Drawing Sheets



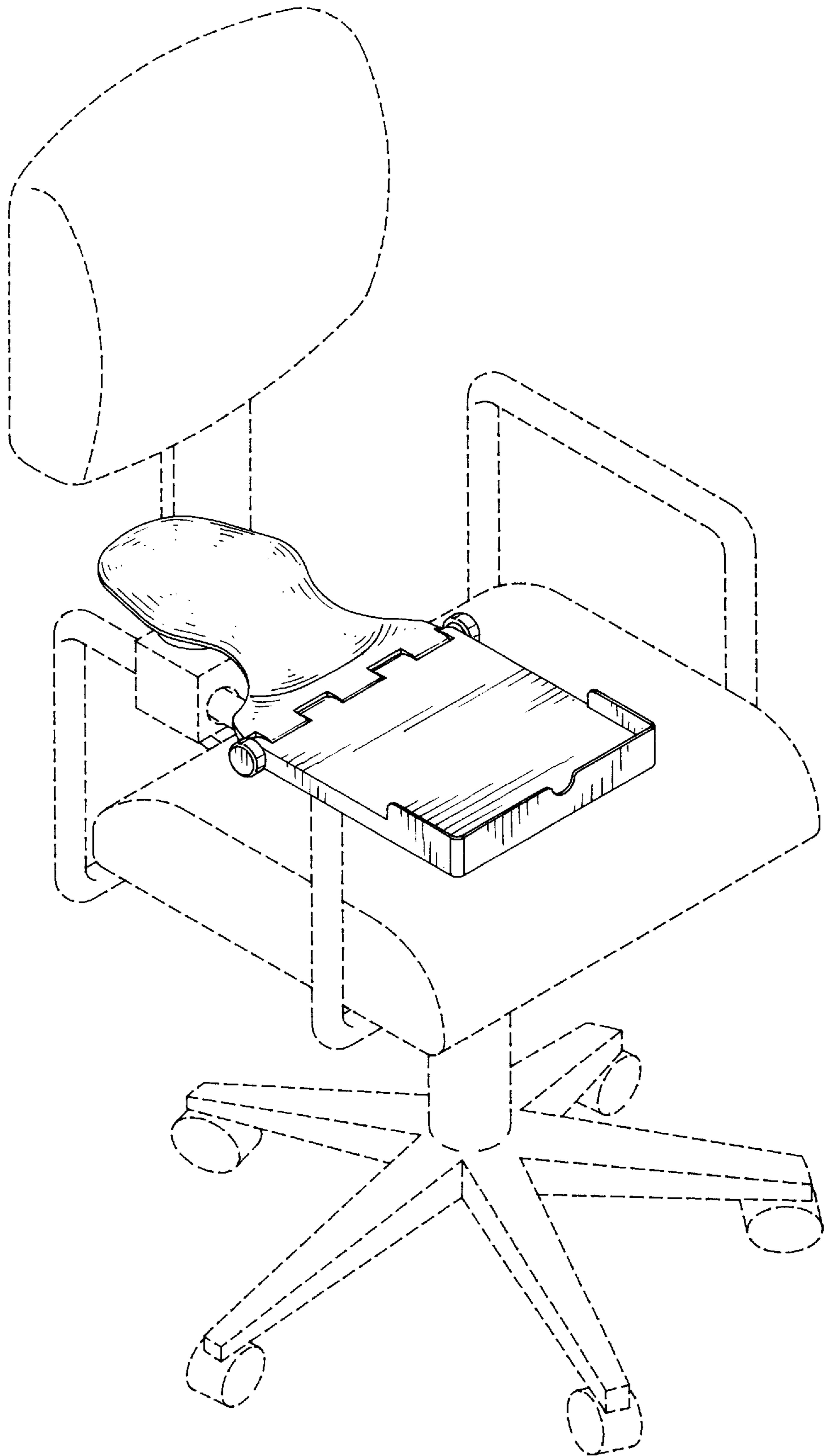


FIG. 1

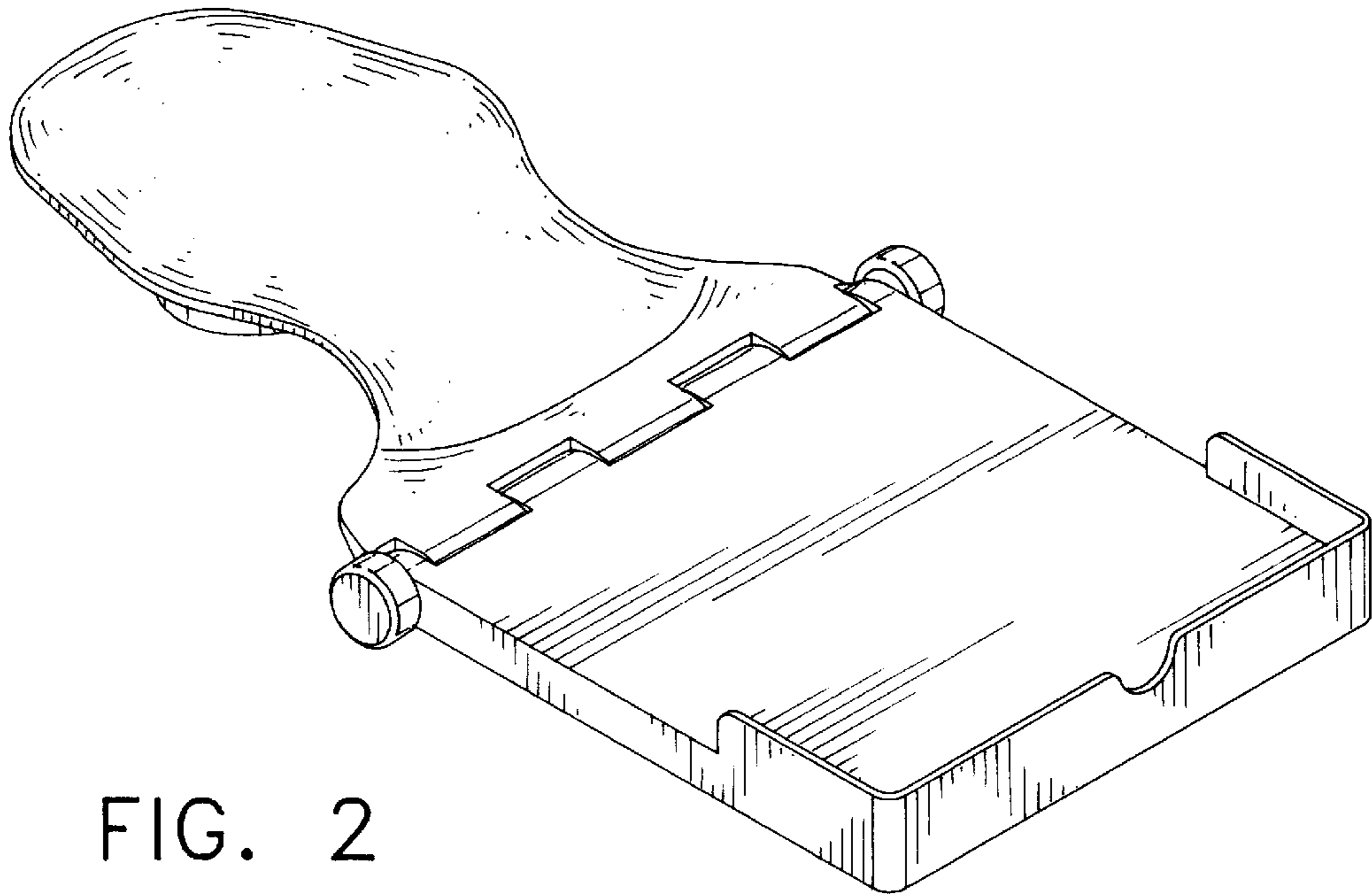


FIG. 2

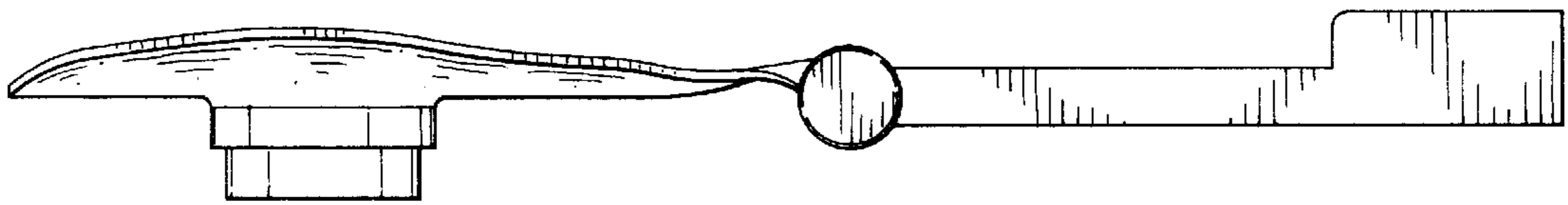


FIG. 3

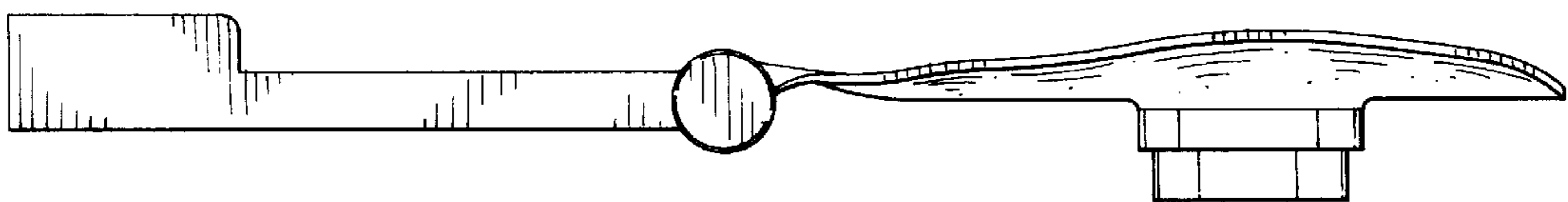


FIG. 4

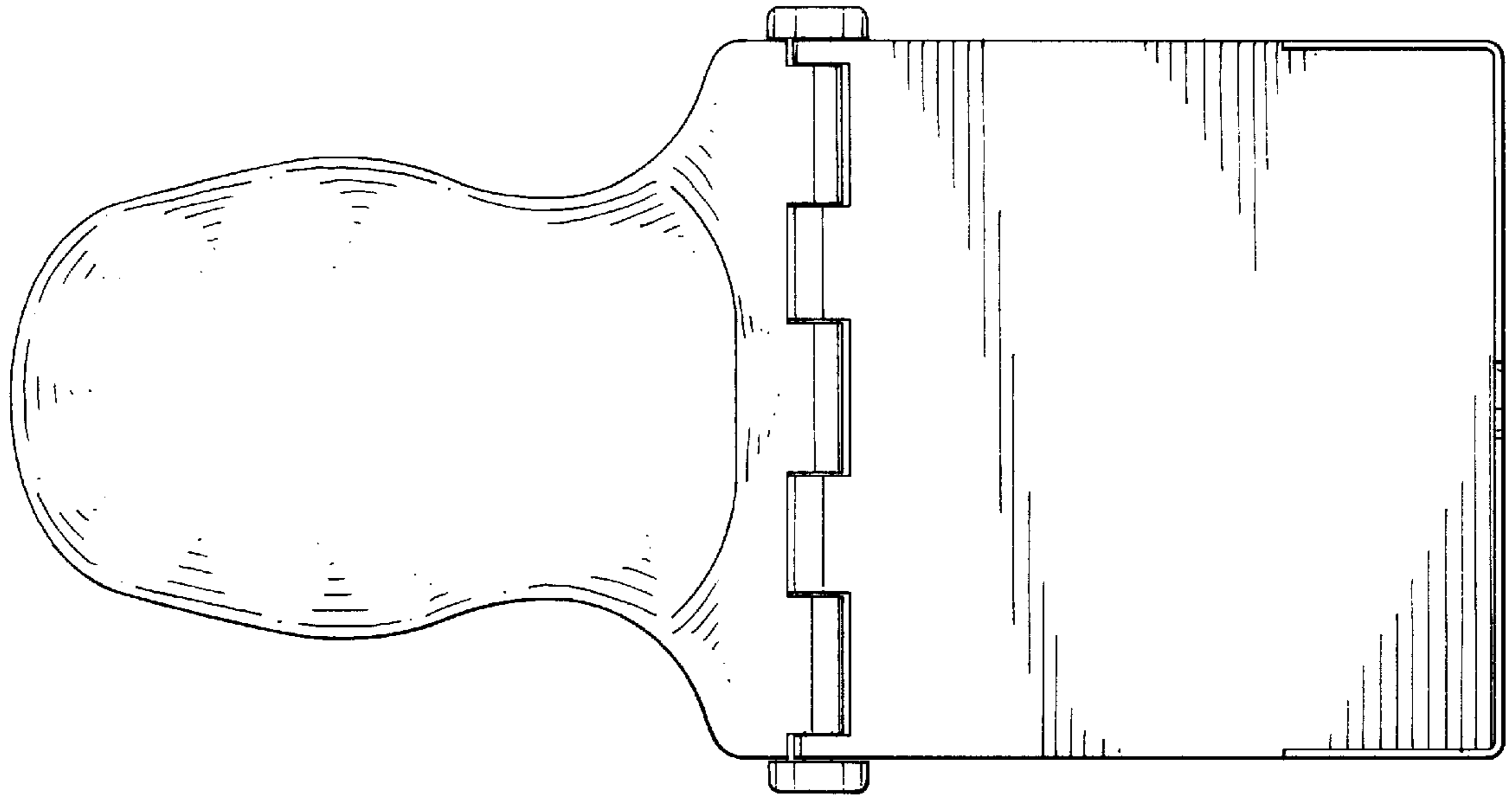


FIG. 5

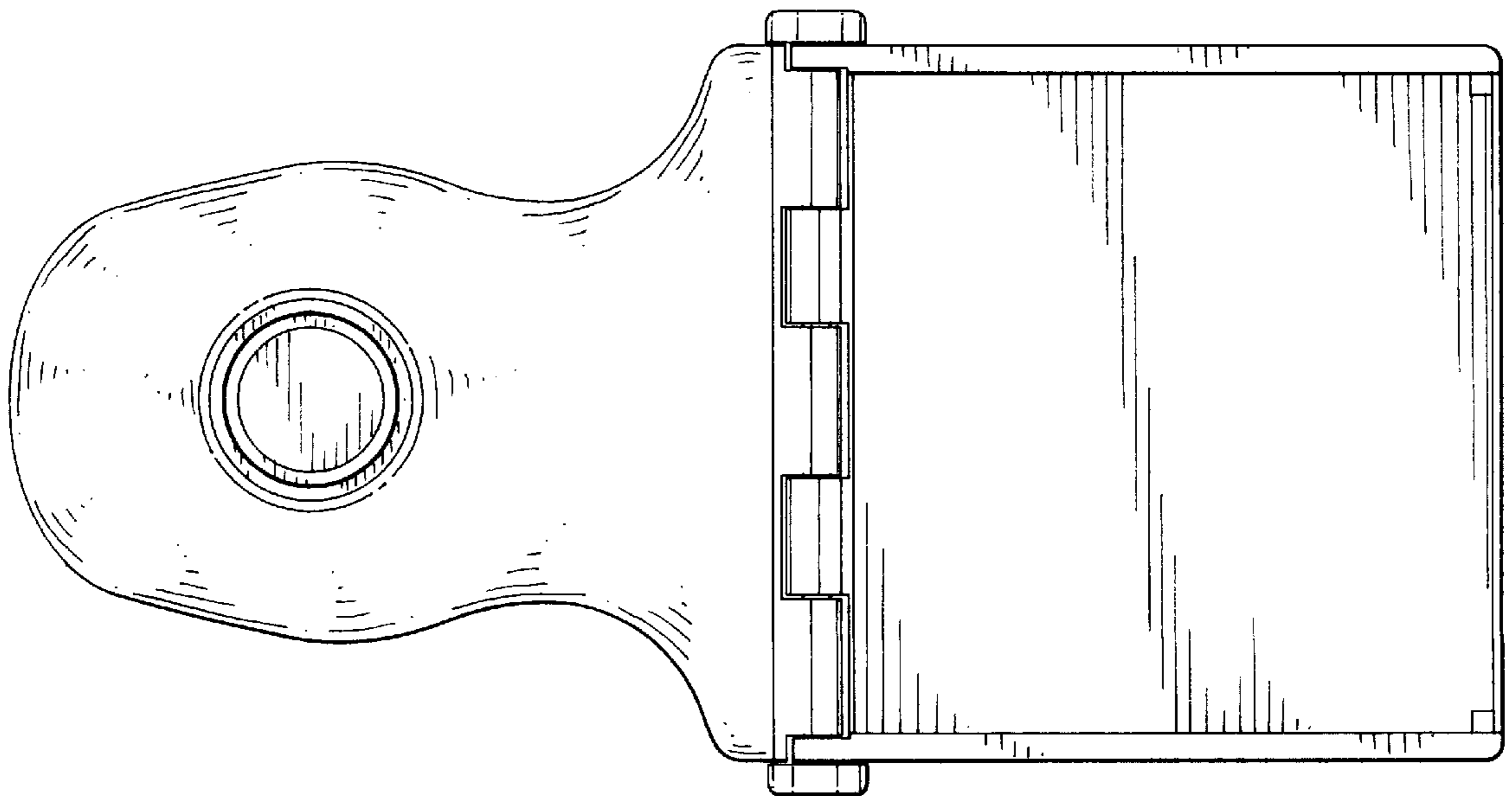


FIG. 6

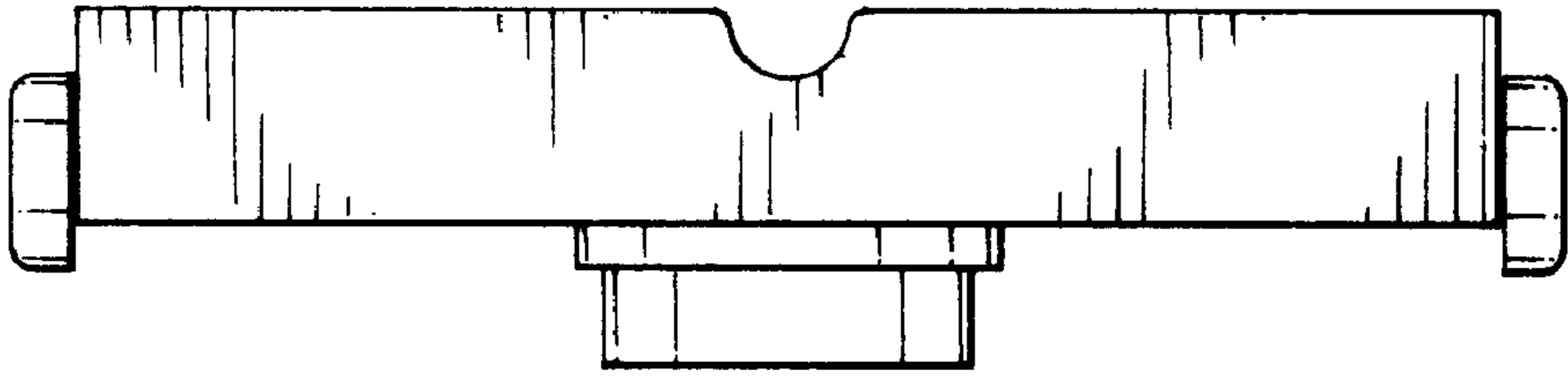


FIG. 7

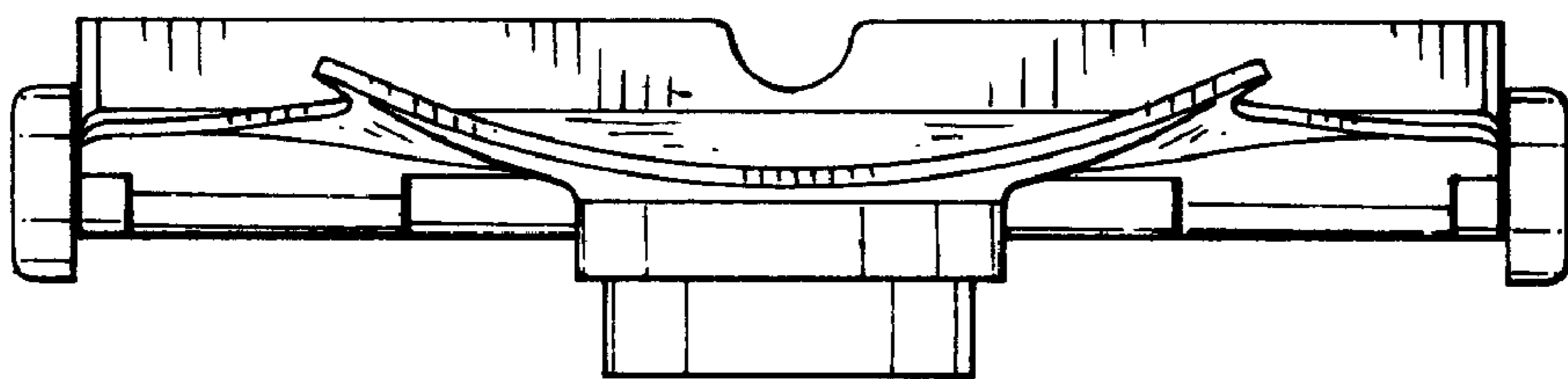


FIG. 8

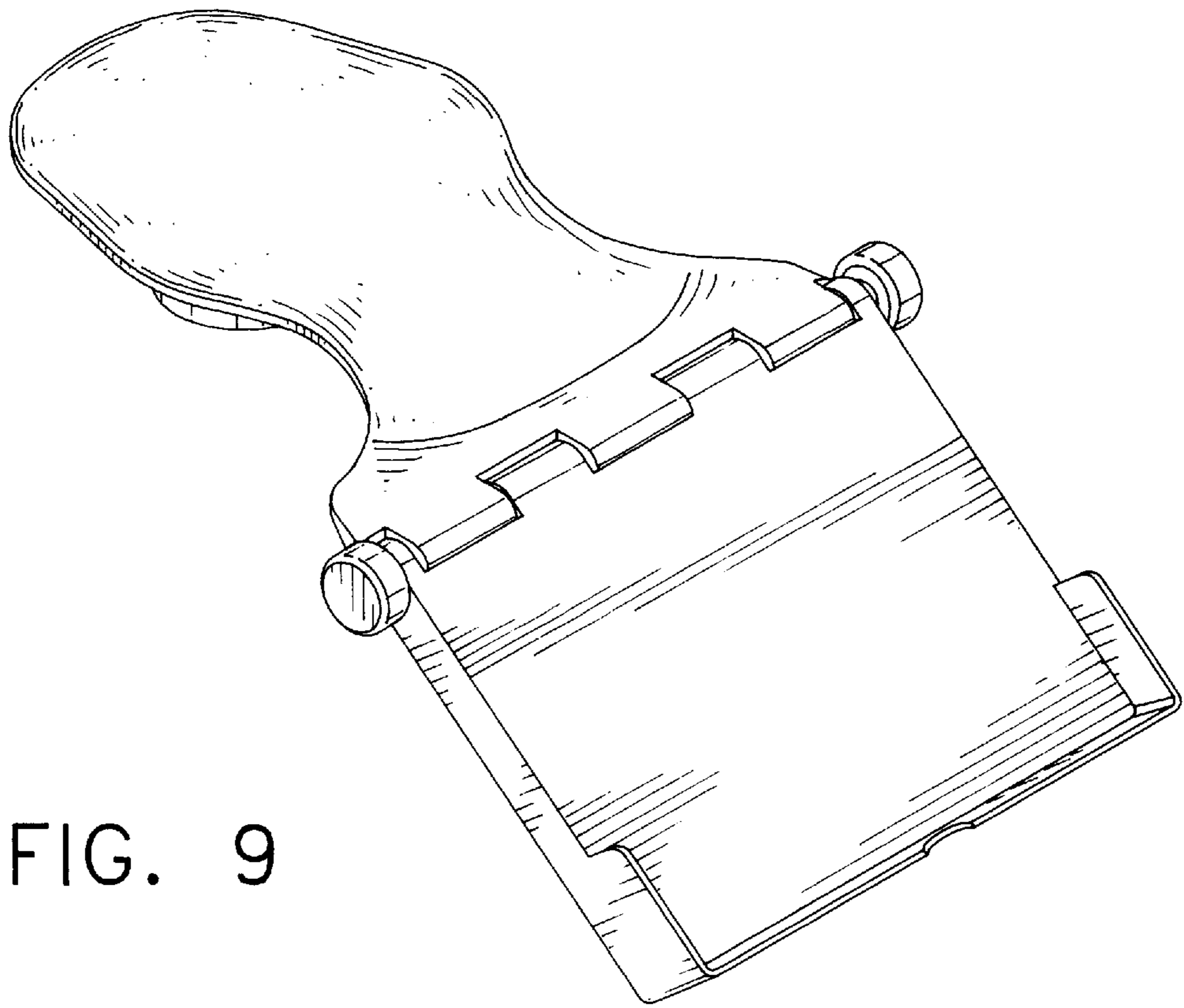


FIG. 9

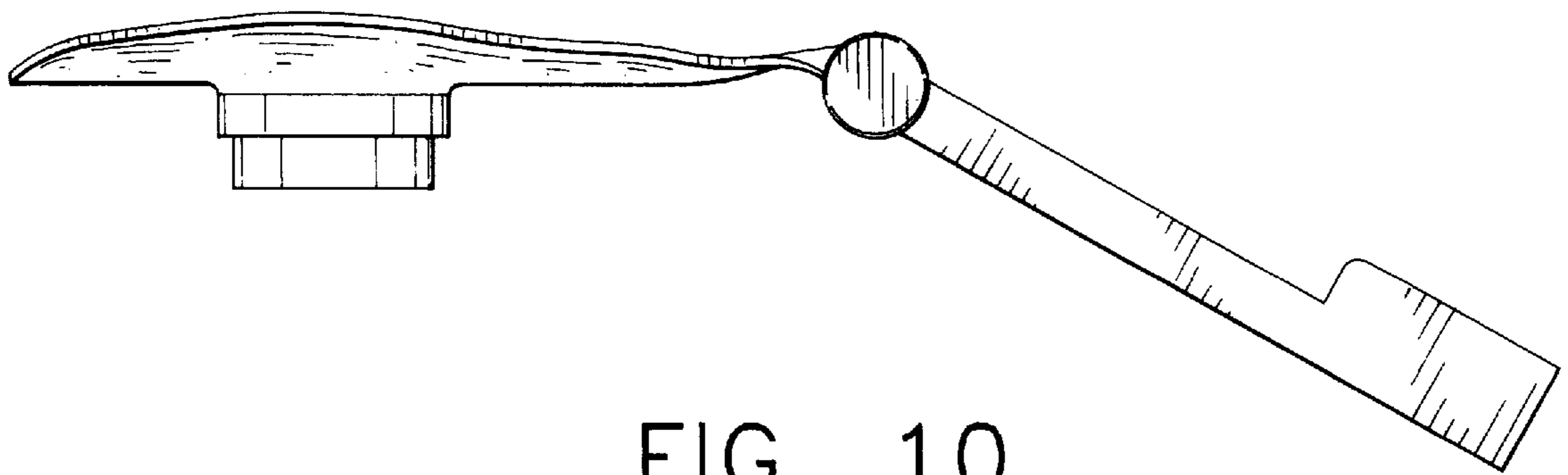


FIG. 10