



US00D428410S

United States Patent [19]

Lin et al.

[11] **Patent Number: Des. 428,410**

[45] **Date of Patent: ** Jul. 18, 2000**

[54] **COMPUTER MAINFRAME**

D. 407,076 11/1996 Renk D14/301

[75] Inventors: **Chih Liang Lin; Shen Jih Chang,**
both of Taoyuan Hsien, Taiwan

Primary Examiner—Freda Nunn
Attorney, Agent, or Firm—Dougherty & Troxell

[73] Assignee: **Enlight Corporation,** Taoyuan Hsien,
Taiwan

[57] **CLAIM**

[**] Term: **14 Years**

The ornamental design for a computer mainframe, as shown.

[21] Appl. No.: **29/111,215**

DESCRIPTION

[22] Filed: **Sep. 24, 1999**

FIG. 1 is a front perspective view of a computer mainframe showing our new design;

[51] **LOC (7) Cl.** **14-02**

FIG. 2 is a front elevational view thereof;

[52] **U.S. Cl.** **D14/301**

FIG. 3 is a rear elevational view thereof;

[58] **Field of Search** D14/300, 302,
D14/308, 311, 349, 351, 352, 354, 356,
301; D6/441; D13/162, 184, 199; 312/223.2;
360/99.12; 361/690-696; 369/34, 36

FIG. 4 is a left side elevational view thereof;

FIG. 5 is a right side elevational view thereof;

FIG. 6 is a top plan view thereof;

FIG. 7 is a bottom plan view thereof; and,

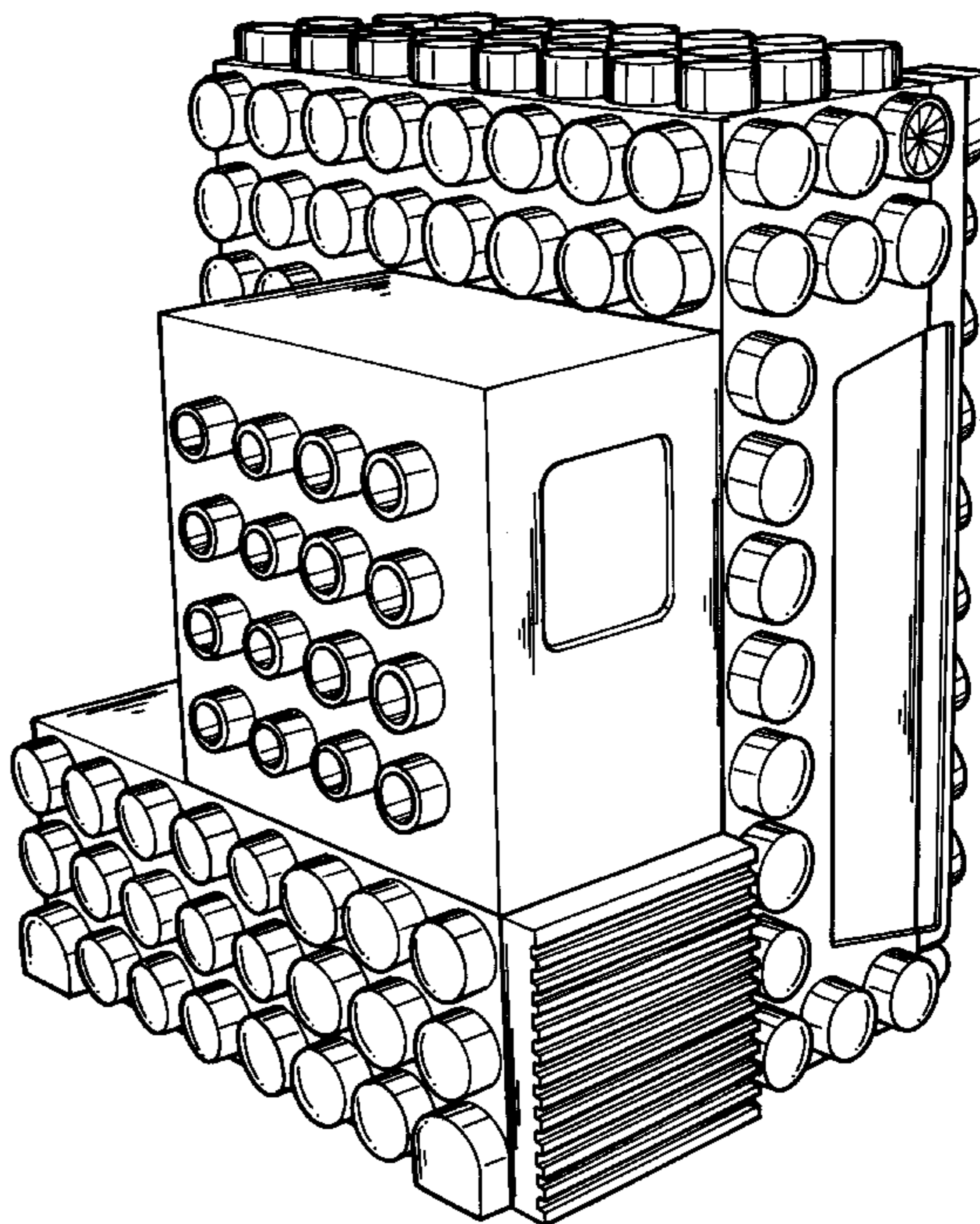
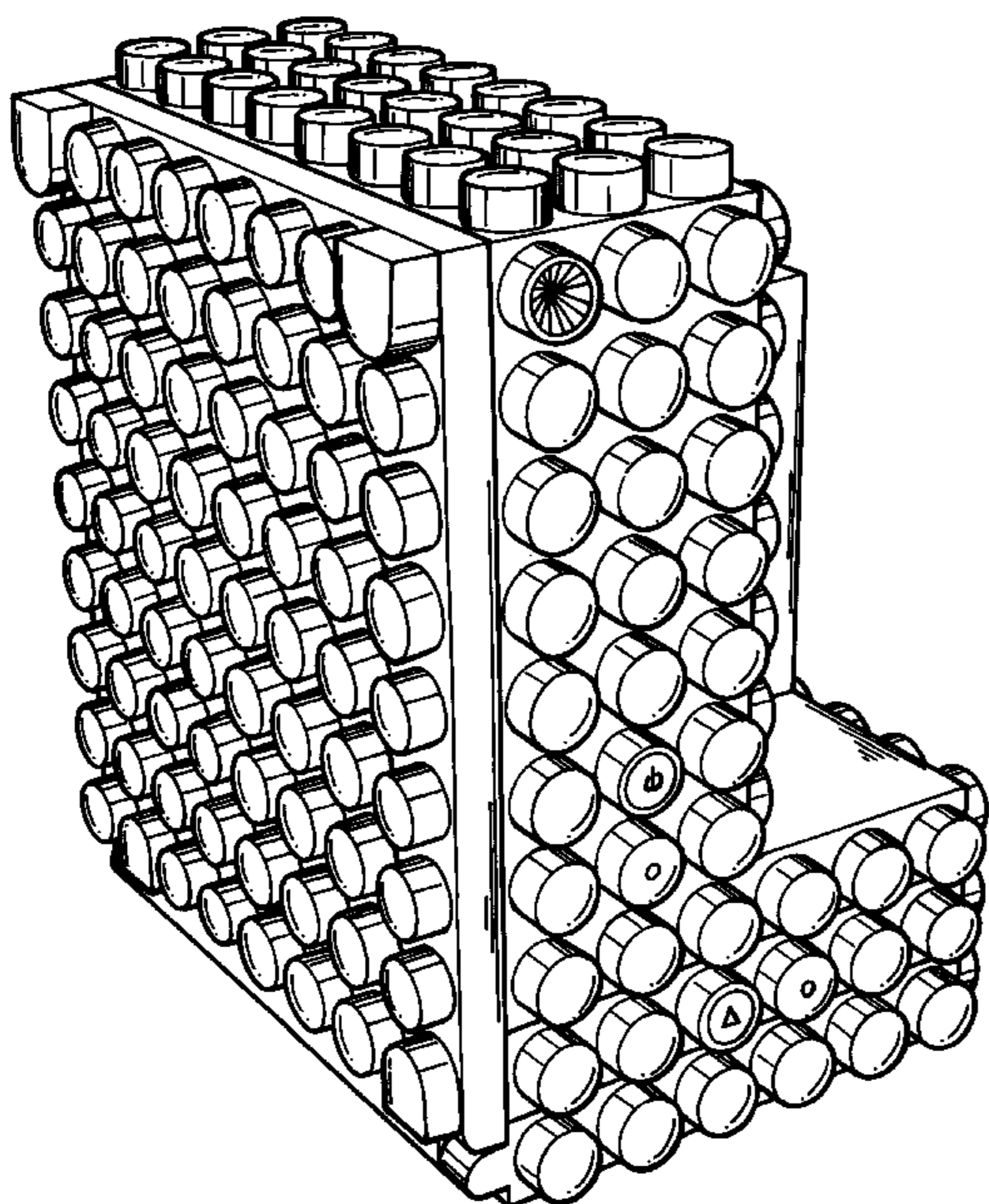
FIG. 8 is a rear perspective view of a computer mainframe showing our new design.

[56] **References Cited**

U.S. PATENT DOCUMENTS

D. 375,944 11/1996 Franz et al. D14/349

1 Claim, 8 Drawing Sheets



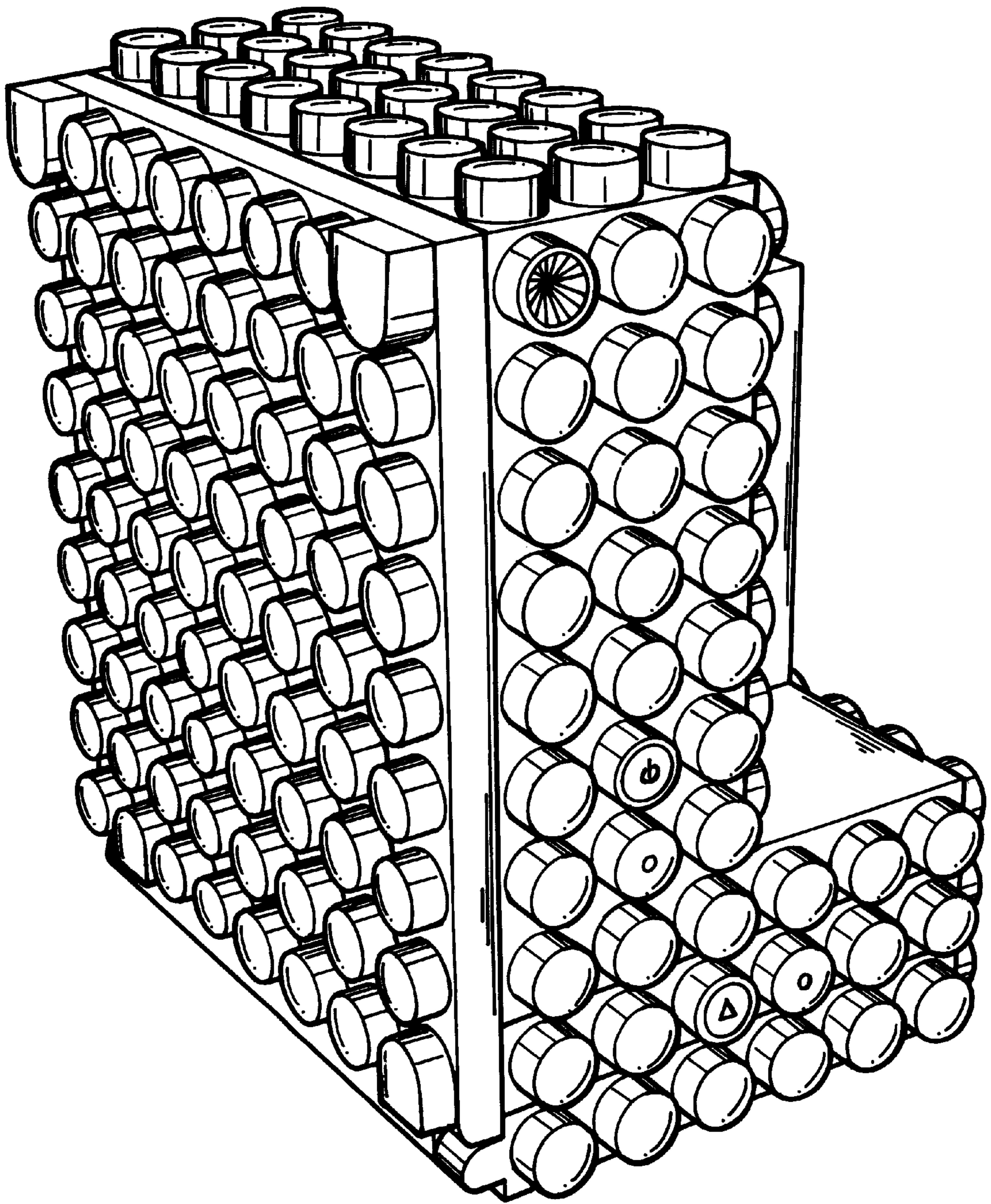


FIG. 1

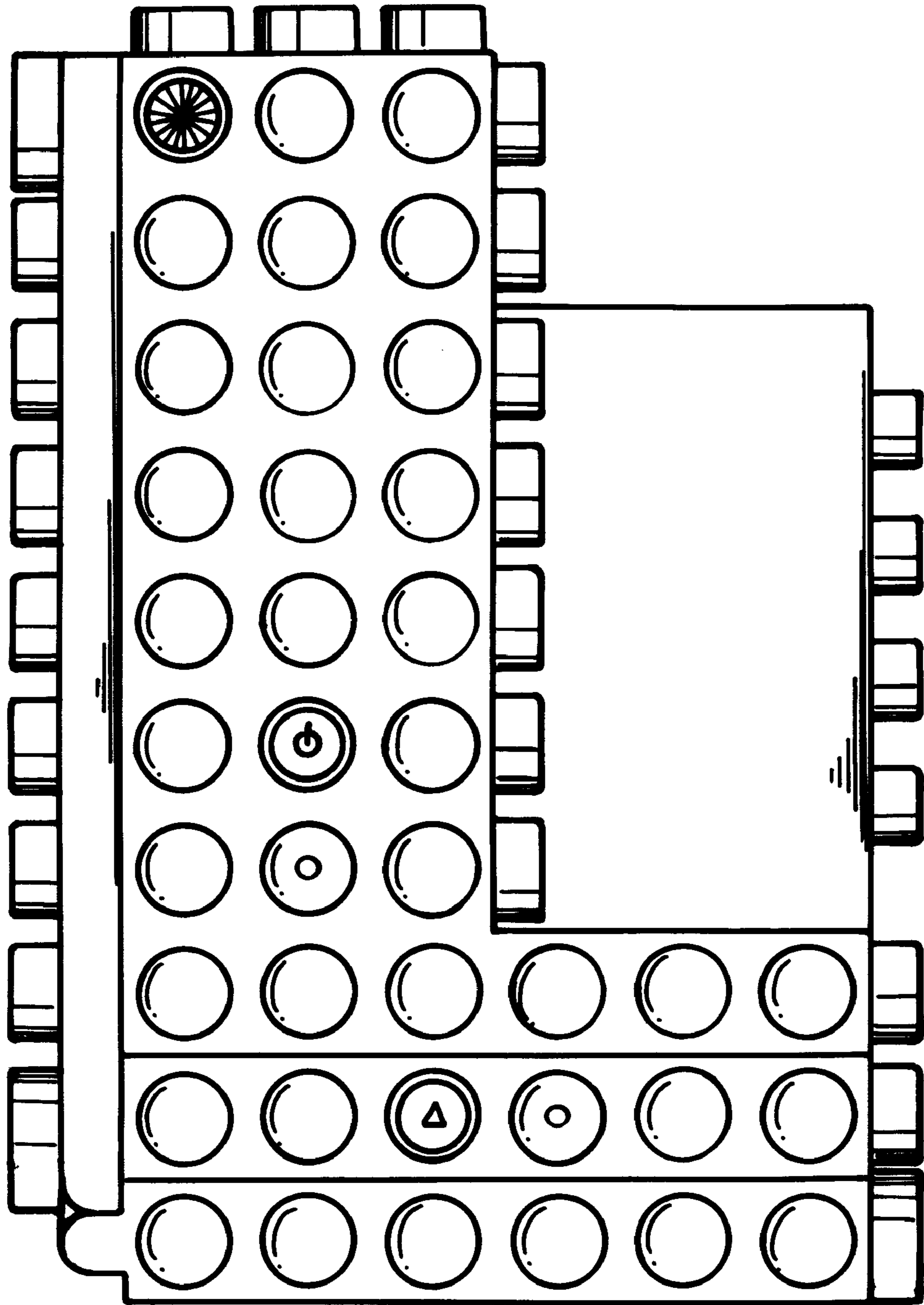


FIG. 2

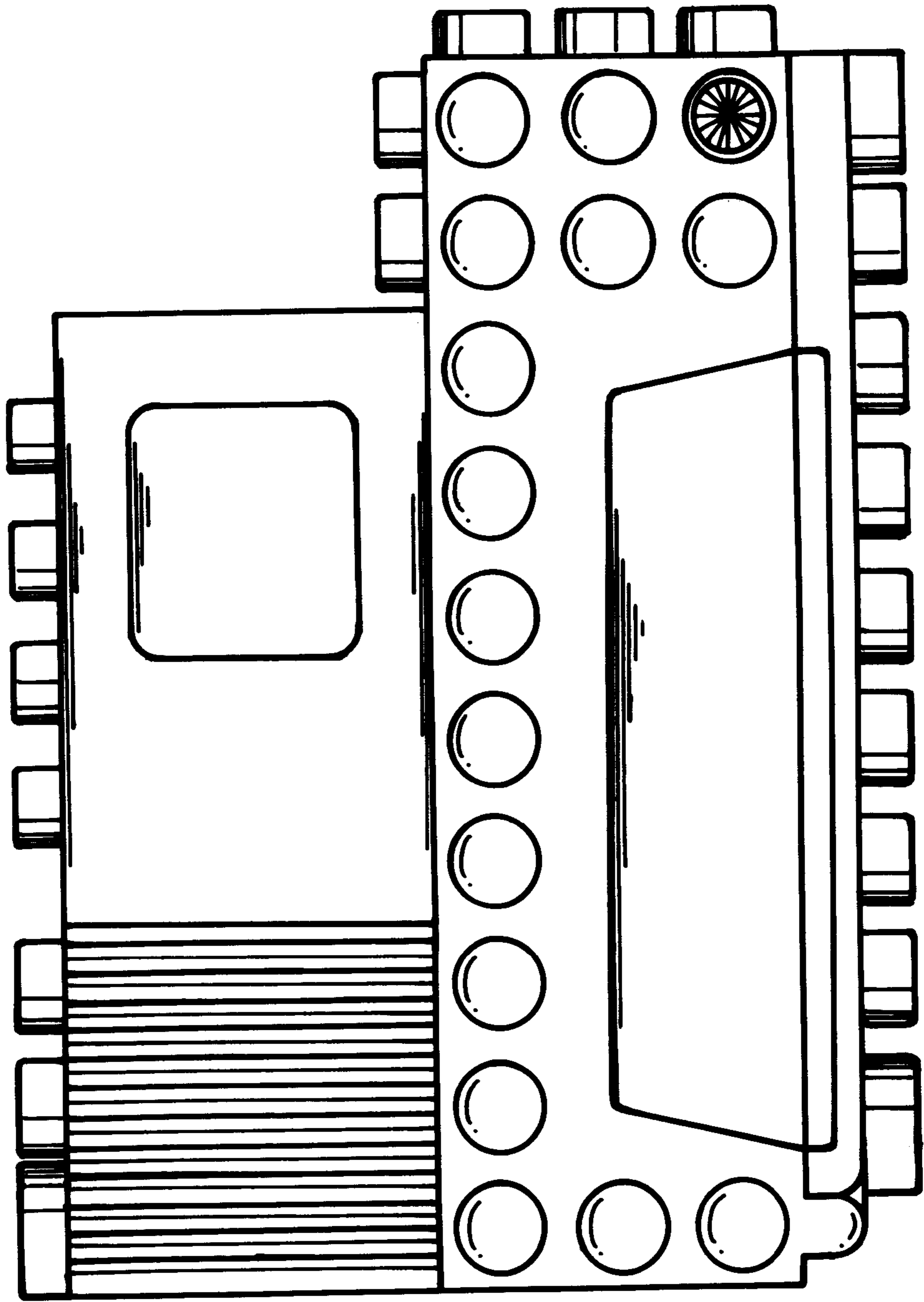


FIG. 3

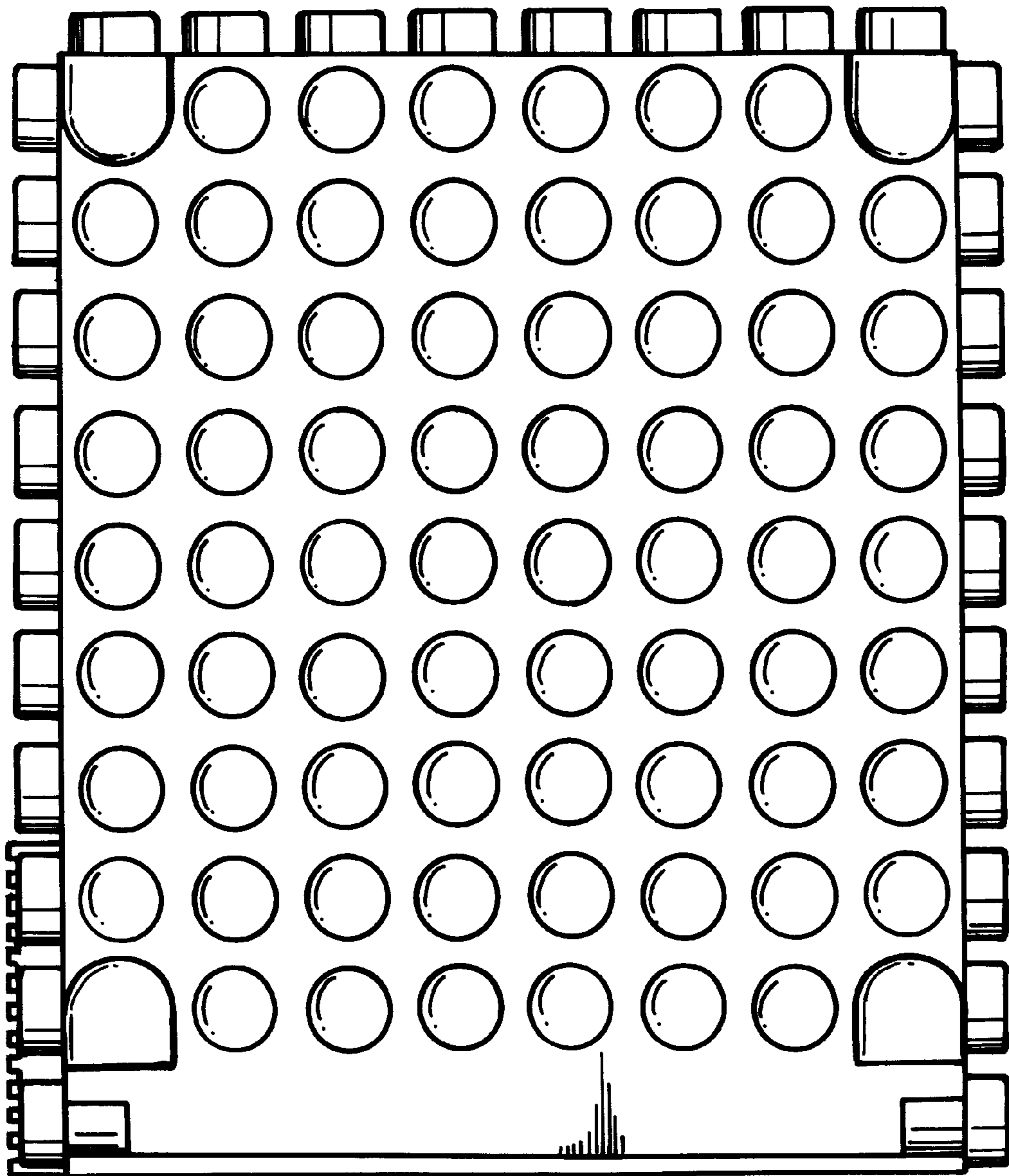


FIG. 4

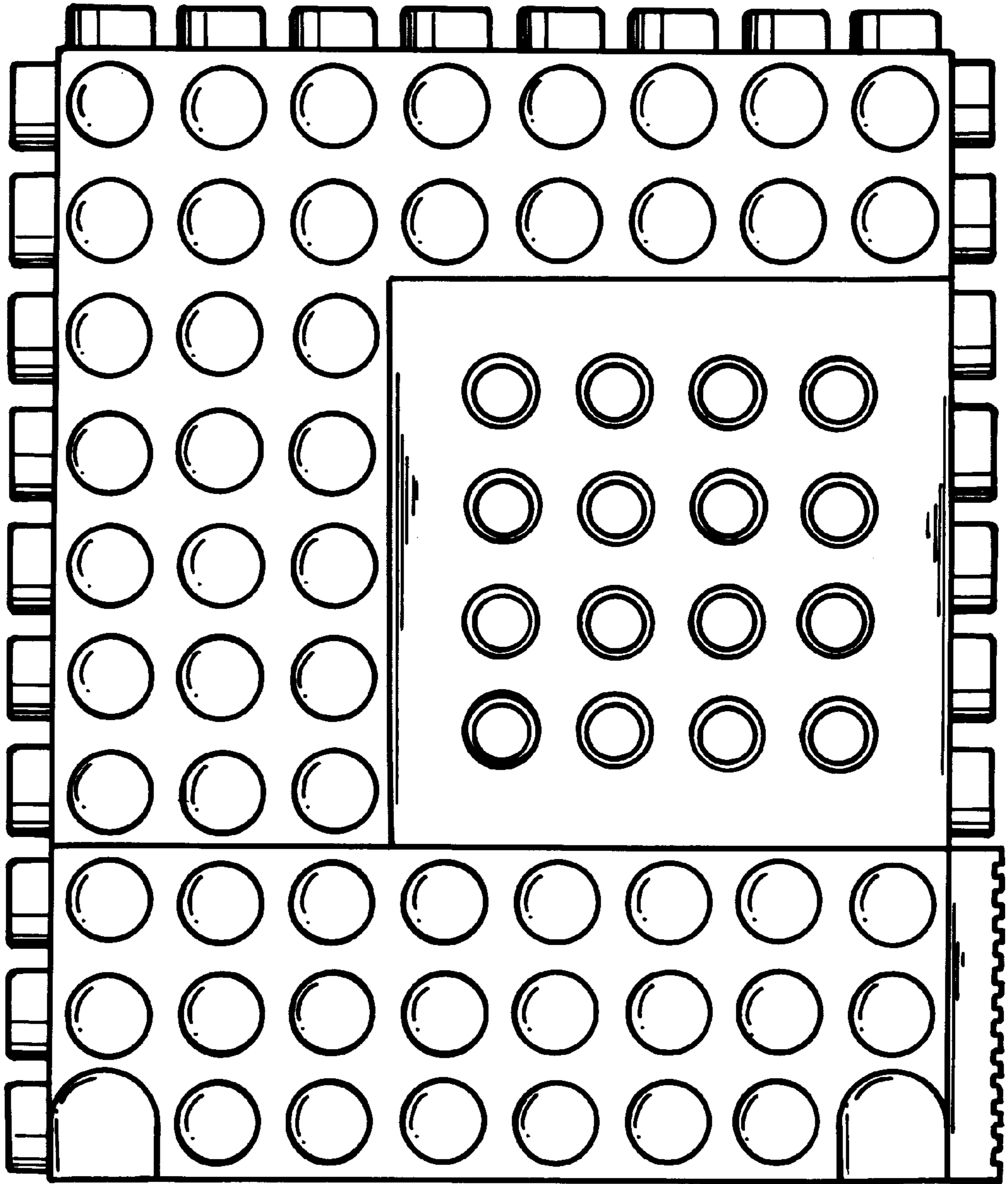


FIG. 5

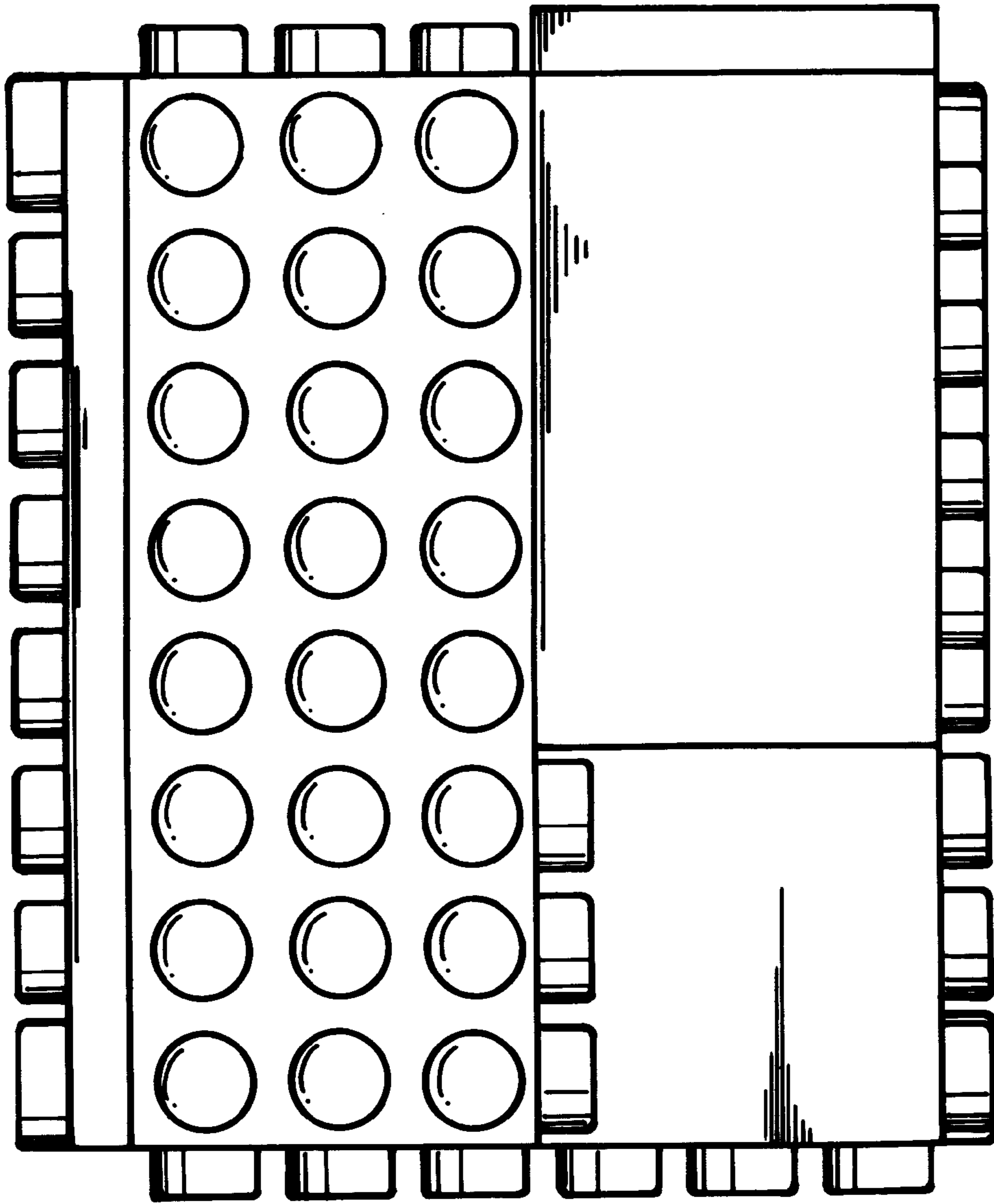


FIG. 6

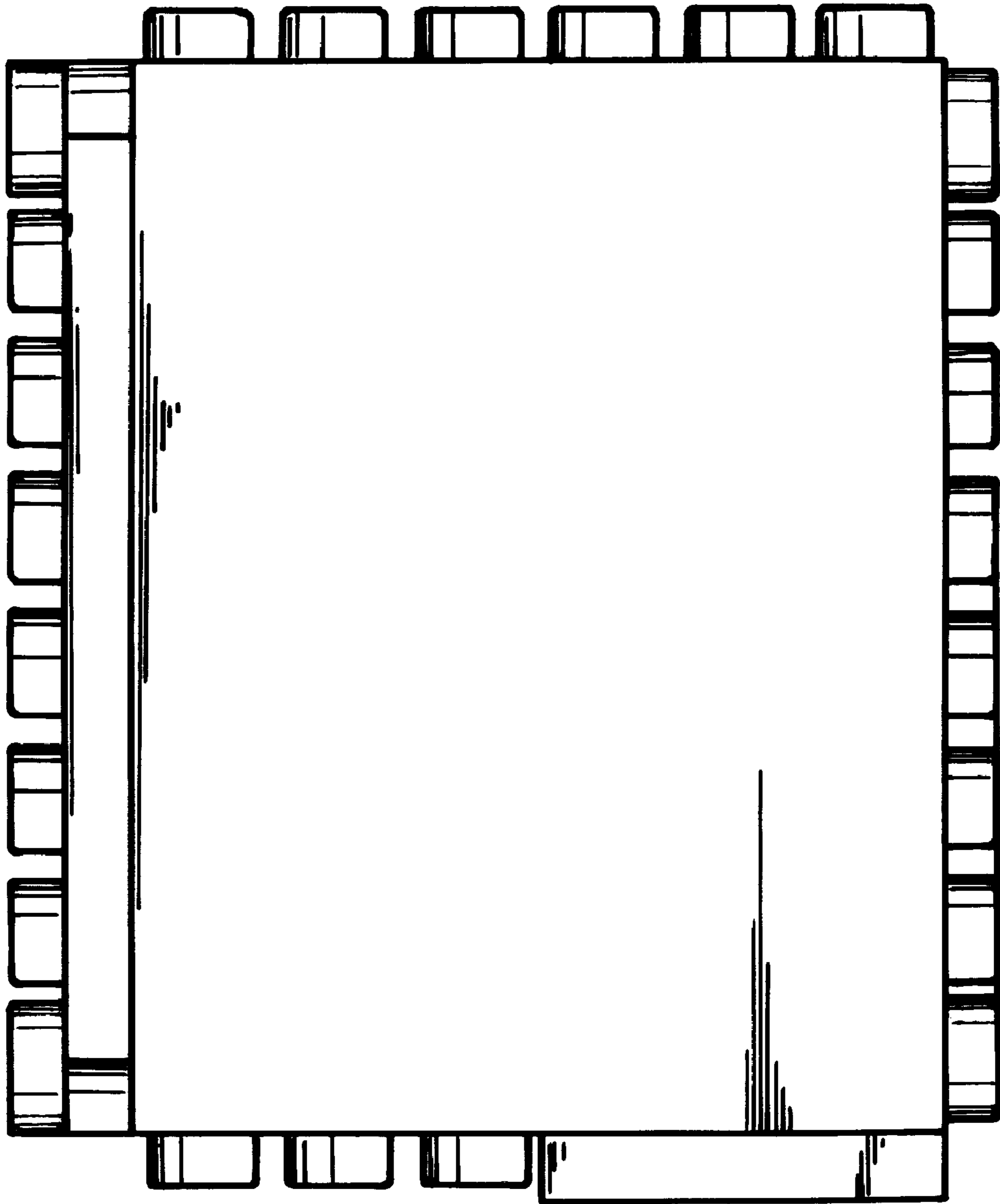


FIG. 7

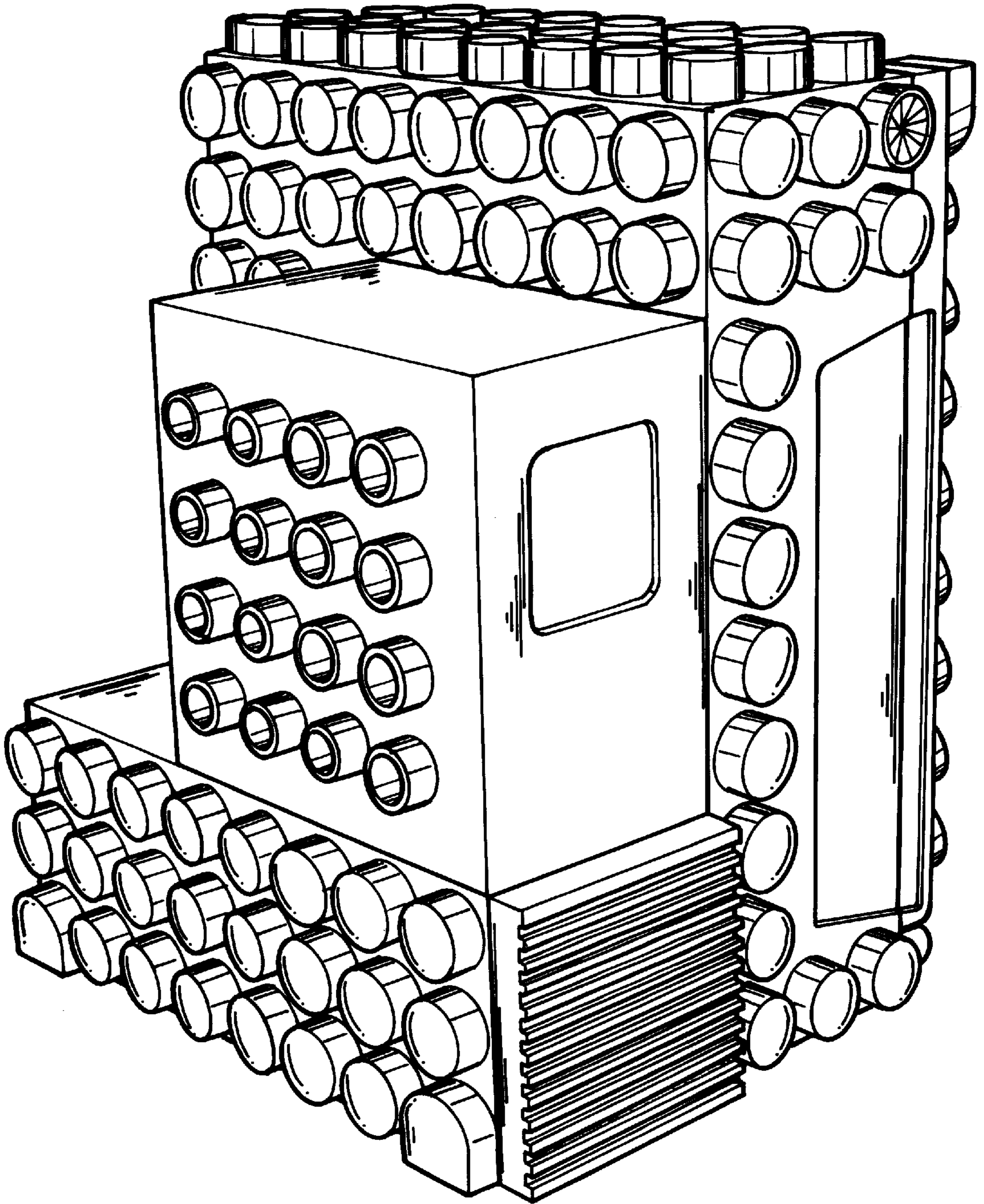


FIG . 8