



US00D428409S

**United States Patent** [19]  
**Takahashi**

[11] **Patent Number: Des. 428,409**  
[45] **Date of Patent: \*\* Jul. 18, 2000**

[54] **MAGNETIC HEAD FOR A DISC RECORDER**

[75] Inventor: **Tomoyuki Takahashi**, Tokyo, Japan

[73] Assignee: **Sony Corporation**, Tokyo, Japan

[\*\*] Term: **14 Years**

[21] Appl. No.: **29/078,707**

[22] Filed: **Oct. 31, 1997**

[51] **LOC (7) Cl.** ..... **14-99**

[52] **U.S. Cl.** ..... **D14/260**

[58] **Field of Search** ..... D14/217, 260,  
D14/299; 360/104, 114; 369/13, 105

[56] **References Cited**

**U.S. PATENT DOCUMENTS**

5,012,368	4/1991	Boiser et al.	360/104
5,311,384	5/1994	Johnson	360/104
5,381,289	1/1995	Fiedler	360/104

**FOREIGN PATENT DOCUMENTS**

036657 6/1997 WIPO .

**OTHER PUBLICATIONS**

New Products Guide, Mitsumi, p. 18, (1996).

*Primary Examiner*—Nanda Bondade  
*Attorney, Agent, or Firm*—Rader, Fishman & Grauer

[57] **CLAIM**

The ornamental design for a magnetic head for a disc recorder, as shown and described.

**DESCRIPTION**

FIG. 1 is a perspective view of a magnetic head for a disc recorder showing my new design;  
FIG. 2 is a top plan view thereof;  
FIG. 3 is a front elevational view thereof;  
FIG. 4 is a left side elevational view thereof;  
FIG. 5 is a right side elevational view thereof;  
FIG. 6 is a rear elevational view thereof; and,  
FIG. 7 is a bottom plan view thereof.

**1 Claim, 4 Drawing Sheets**

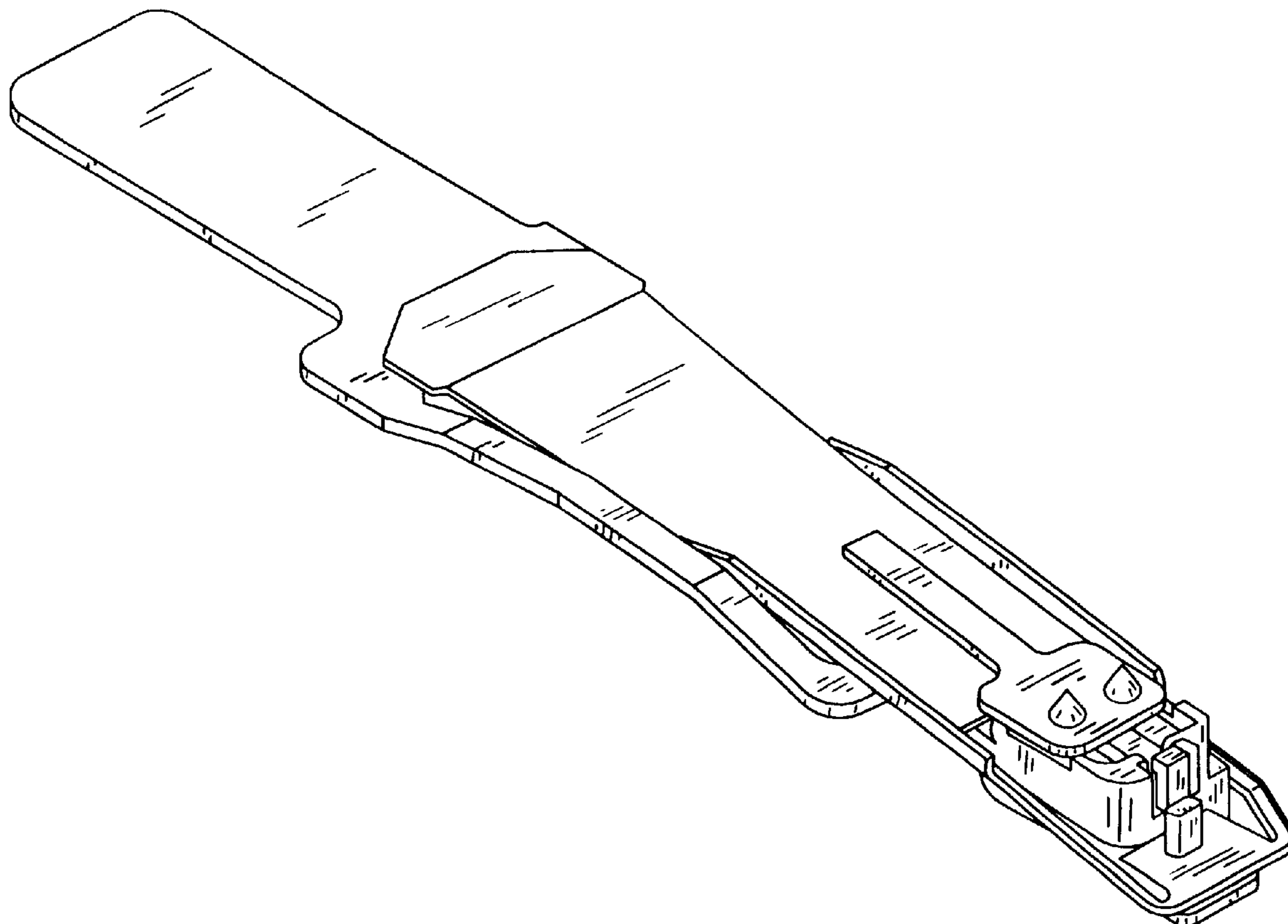


FIG. 1

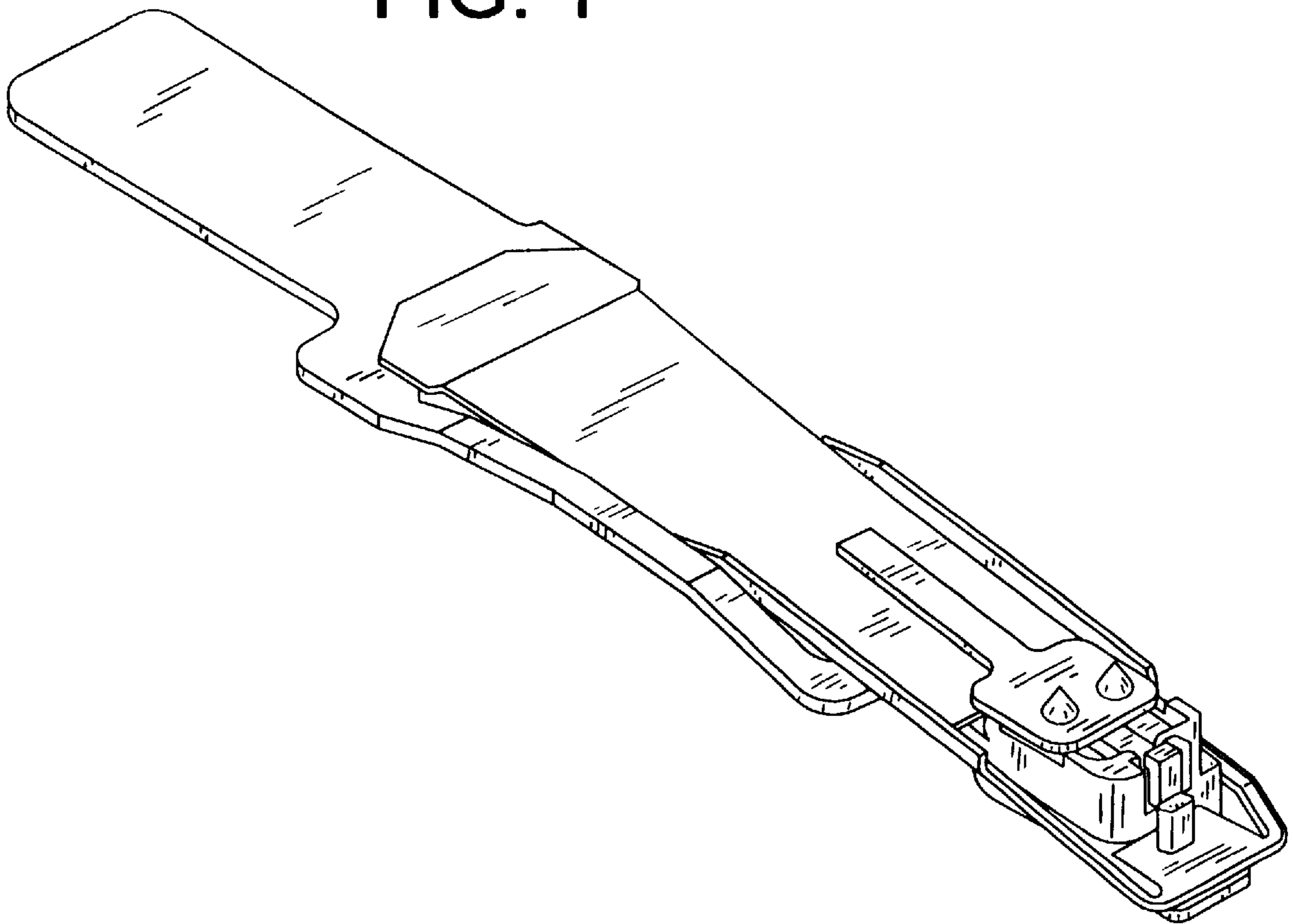


FIG. 2

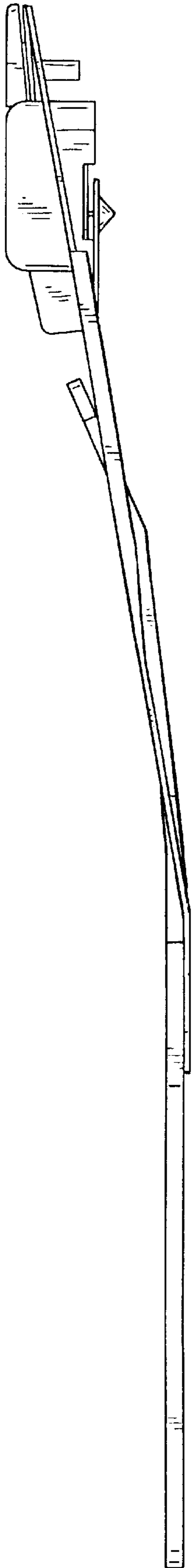


FIG. 3

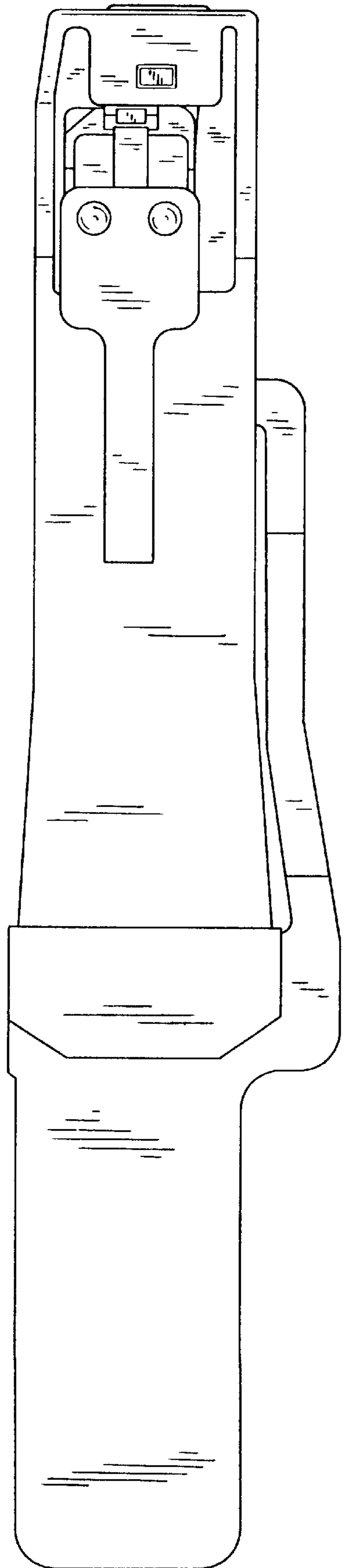


FIG. 4

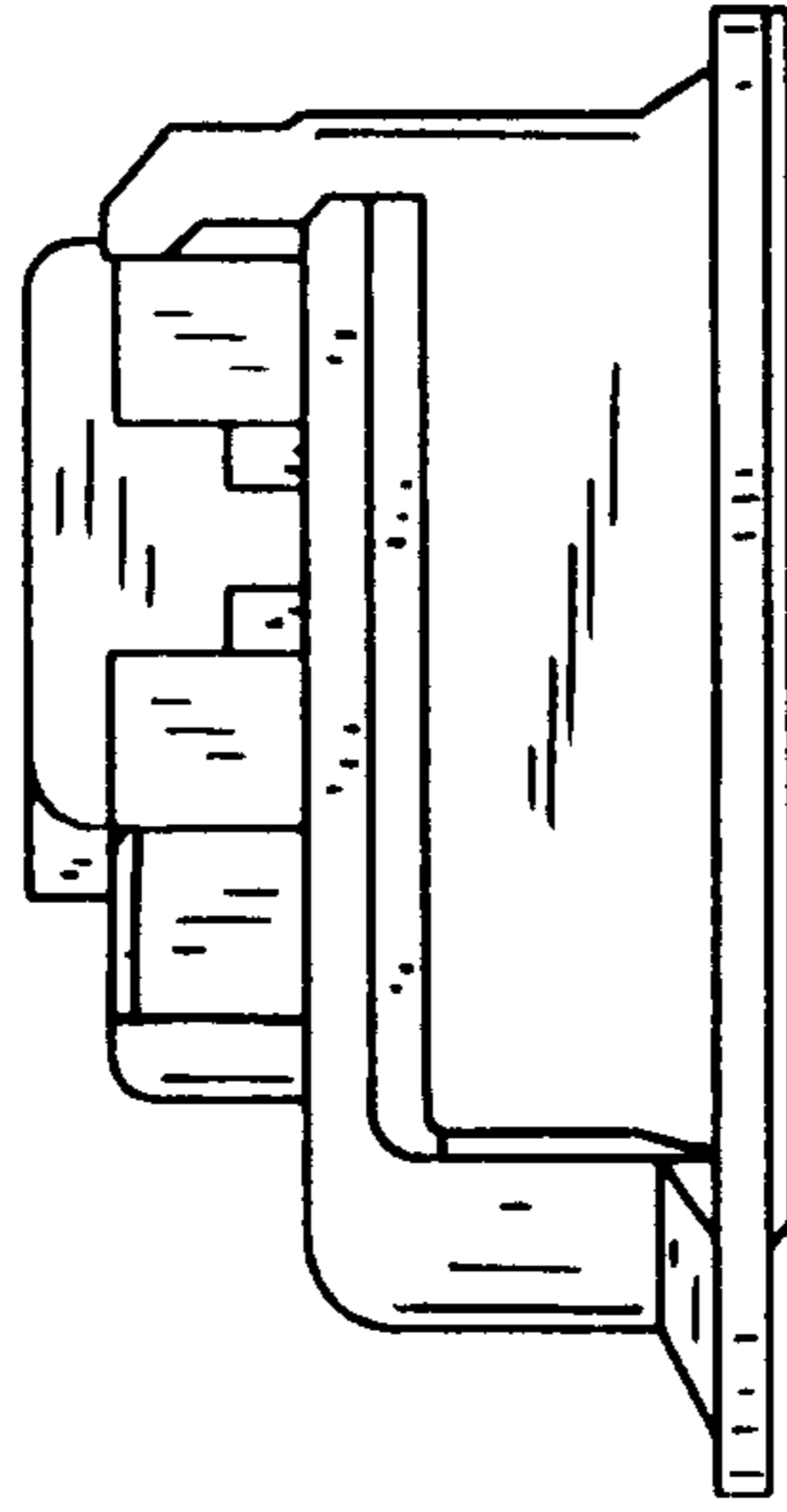


FIG. 5

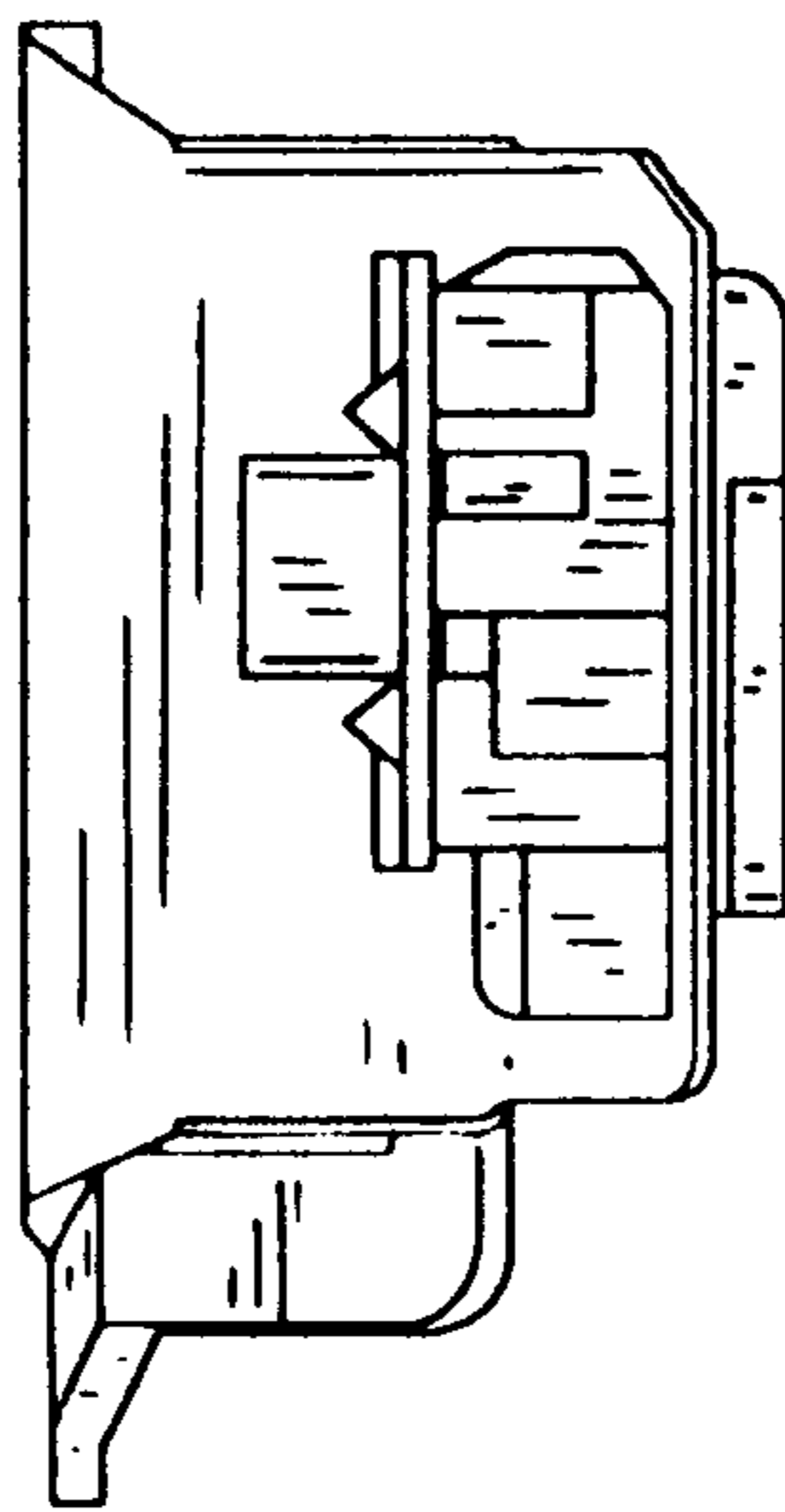


FIG. 6

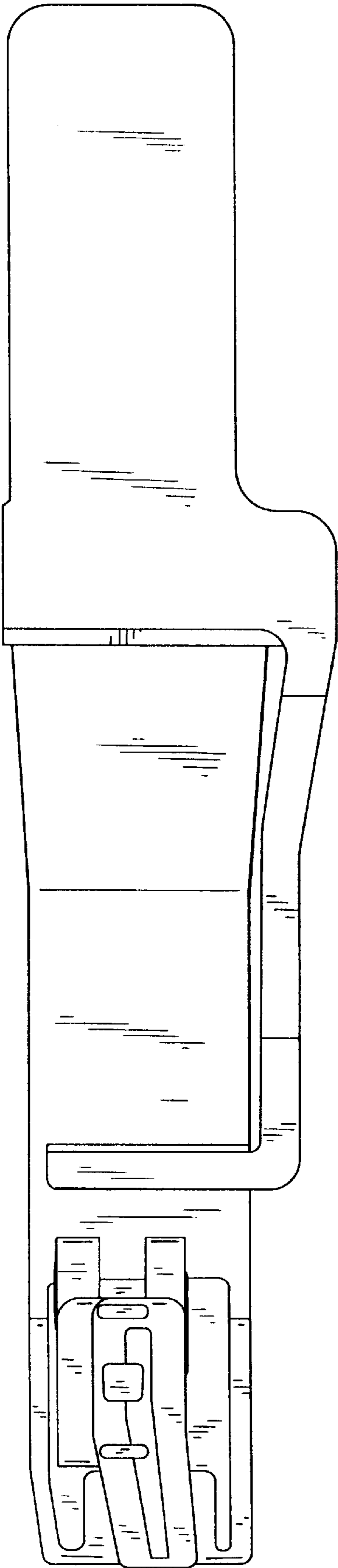


FIG. 7

