



US00D428403S

United States Patent [19] Hyun

[11] **Patent Number: Des. 428,403**
[45] **Date of Patent: ** Jul. 18, 2000**

[54] **CELLULAR PHONE**

[75] **Inventor: Sang Min Hyun, Kyungki-do, Rep. of Korea**

[73] **Assignee: Samsung Electronics, Co. Ltd, Kyungki-do, Rep. of Korea**

[**] **Term: 14 Years**

[21] **Appl. No.: 29/114,294**

[22] **Filed: Nov. 19, 1999**

[30] Foreign Application Priority Data

Jun. 29, 1999 [KR] Rep. of Korea 99-14719

[51] **LOC (7) Cl. 14-03**

[52] **U.S. Cl. D14/138**

[58] **Field of Search D14/137, 138, D14/147-148, 247-248, 250, 140-142, 240; 379/433, 434, 419, 420, 428, 440; 455/550-575, 90**

[56] References Cited

U.S. PATENT DOCUMENTS

D. 345,158	3/1994	Namba et al.	D14/138
D. 346,164	4/1994	Shirakawa et al.	D14/138
D. 359,734	6/1995	Nagele et al.	D14/138
D. 369,598	5/1996	Nagele et al.	D14/138
D. 371,126	6/1996	Bro	D14/138
D. 385,873	11/1997	Nagele et al.	D14/138
D. 393,856	4/1998	Lee et al.	D14/138
D. 405,081	2/1999	Nagele et al.	D14/138

D. 406,586	3/1999	Nagele et al.	D14/138
D. 408,030	4/1999	Richards et al.	D14/138
D. 408,402	4/1999	Shimelfarb et al.	D14/138
D. 415,152	10/1999	Koo	D14/138
D. 419,155	1/2000	Nagele et al.	D14/138
5,815,570	9/1998	Hannon et al.	379/428
5,857,148	1/1999	Weissshappel et al.	455/90
5,933,330	8/1999	Beutler et al.	379/433 X
5,953,413	9/1999	Peyer et al.	379/433
5,987,122	11/1999	Daffara et al.	379/433
5,999,832	12/1999	Vannatta et al.	455/575
6,011,699	1/2000	Murray et al.	455/575 X

FOREIGN PATENT DOCUMENTS

848974	of 1992	Japan .
849173	of 1992	Japan .

Primary Examiner—Jeffrey Asch
Attorney, Agent, or Firm—Knobbe, Martens, Olson & Bear LLP

[57] CLAIM

The ornamental design for a cellular phone, as shown.

DESCRIPTION

FIG. 1 is a perspective view of a cellular phone showing my new design;
FIG. 2 is a front elevational view thereof;
FIG. 3 is a rear elevational view thereof;
FIG. 4 is a top plan view thereof;
FIG. 5 is a bottom plan view thereof;
FIG. 6 is a left side elevational view thereof; and,
FIG. 7 is a right side elevational view thereof.

1 Claim, 2 Drawing Sheets

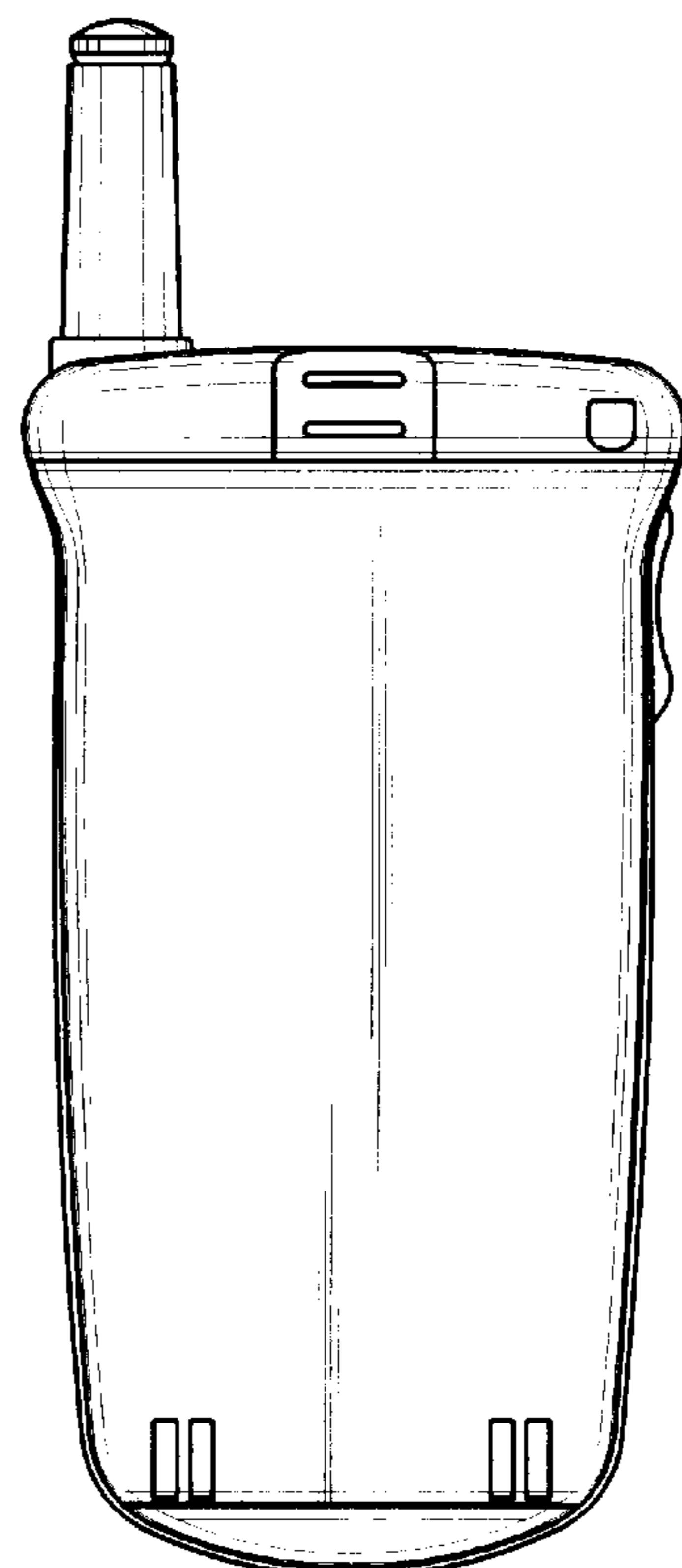
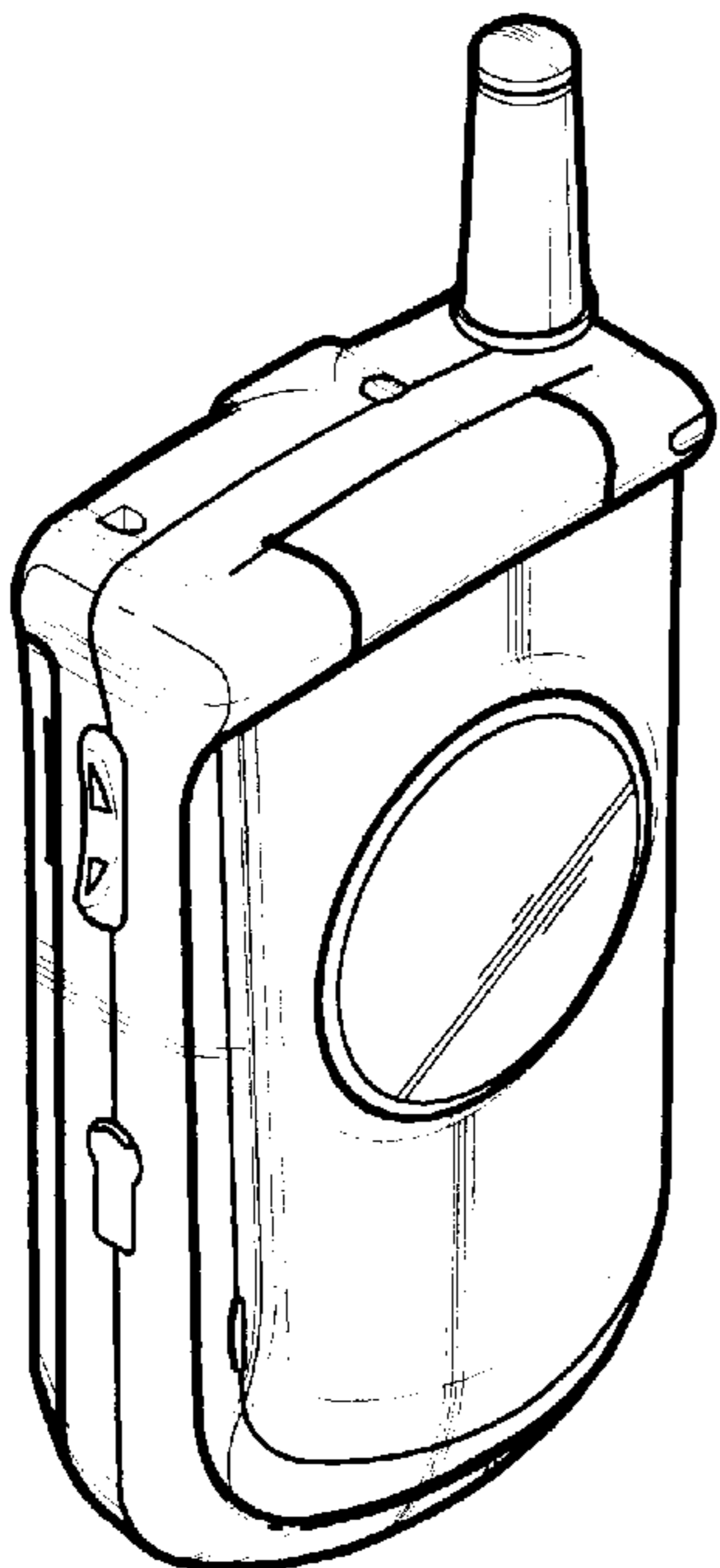


FIG. 1

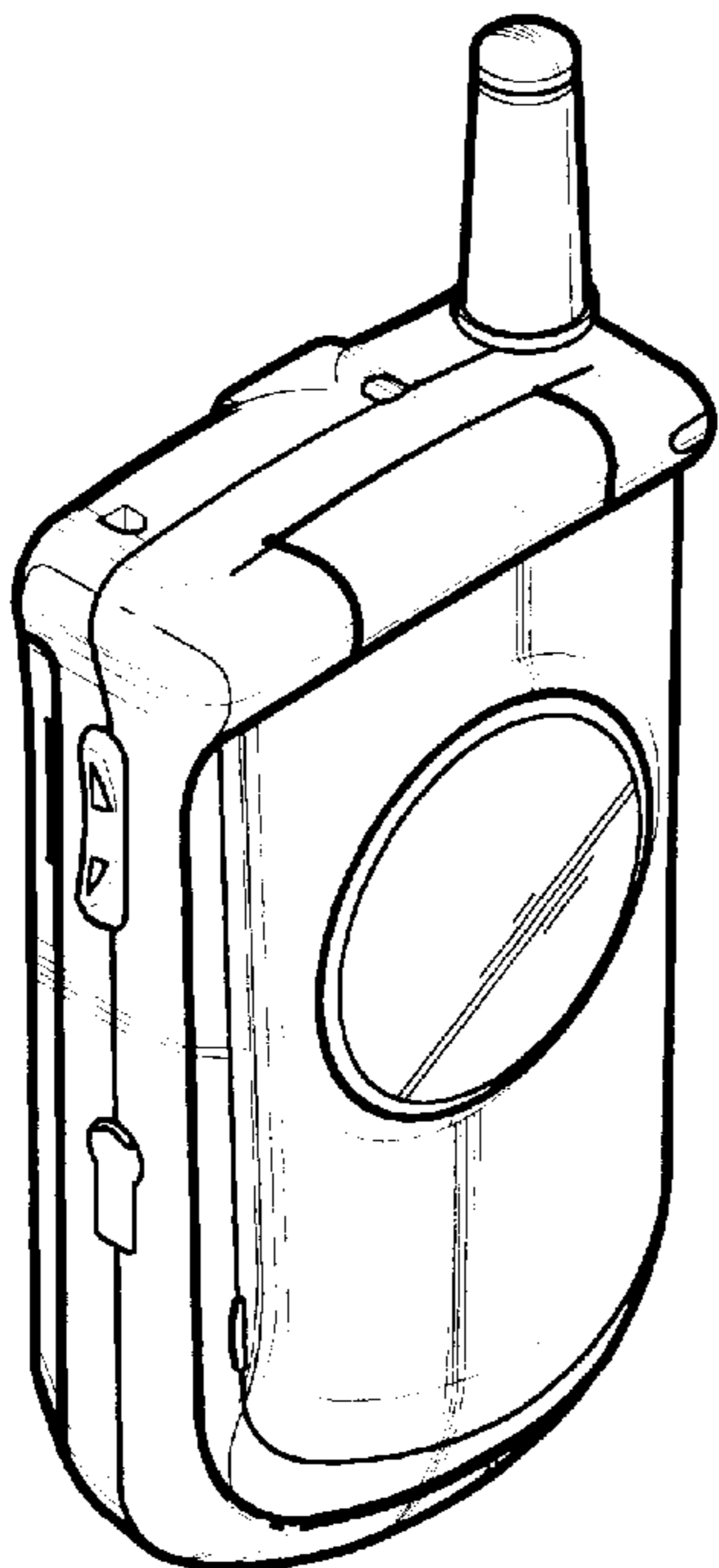


FIG. 3

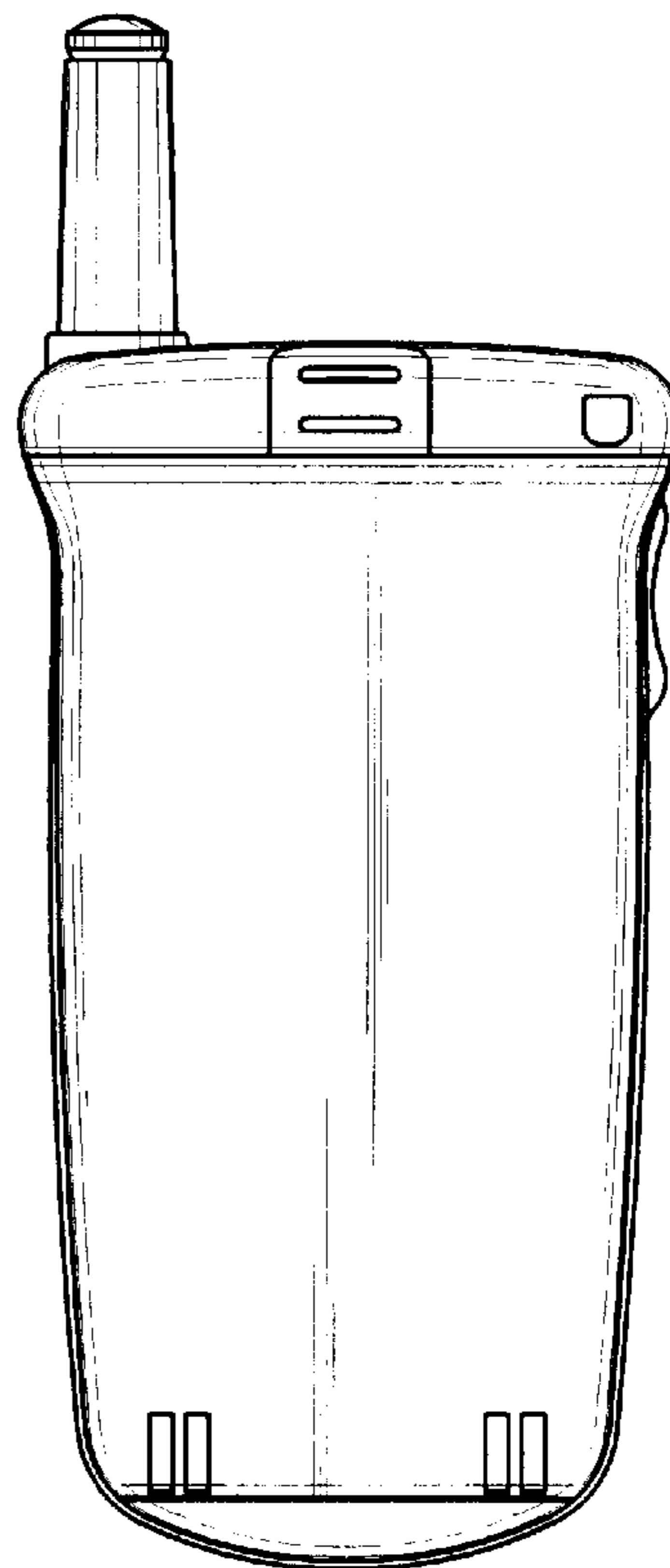


FIG. 2

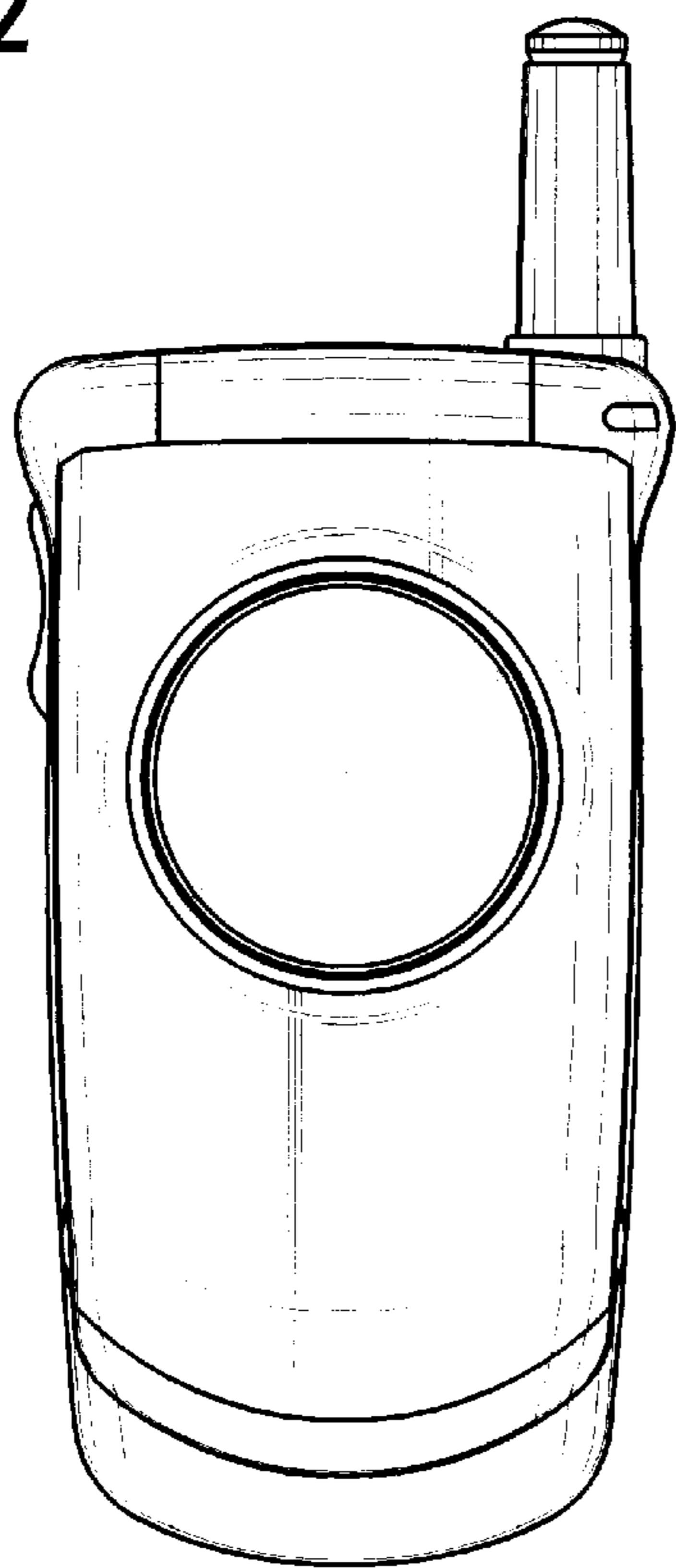


FIG. 4

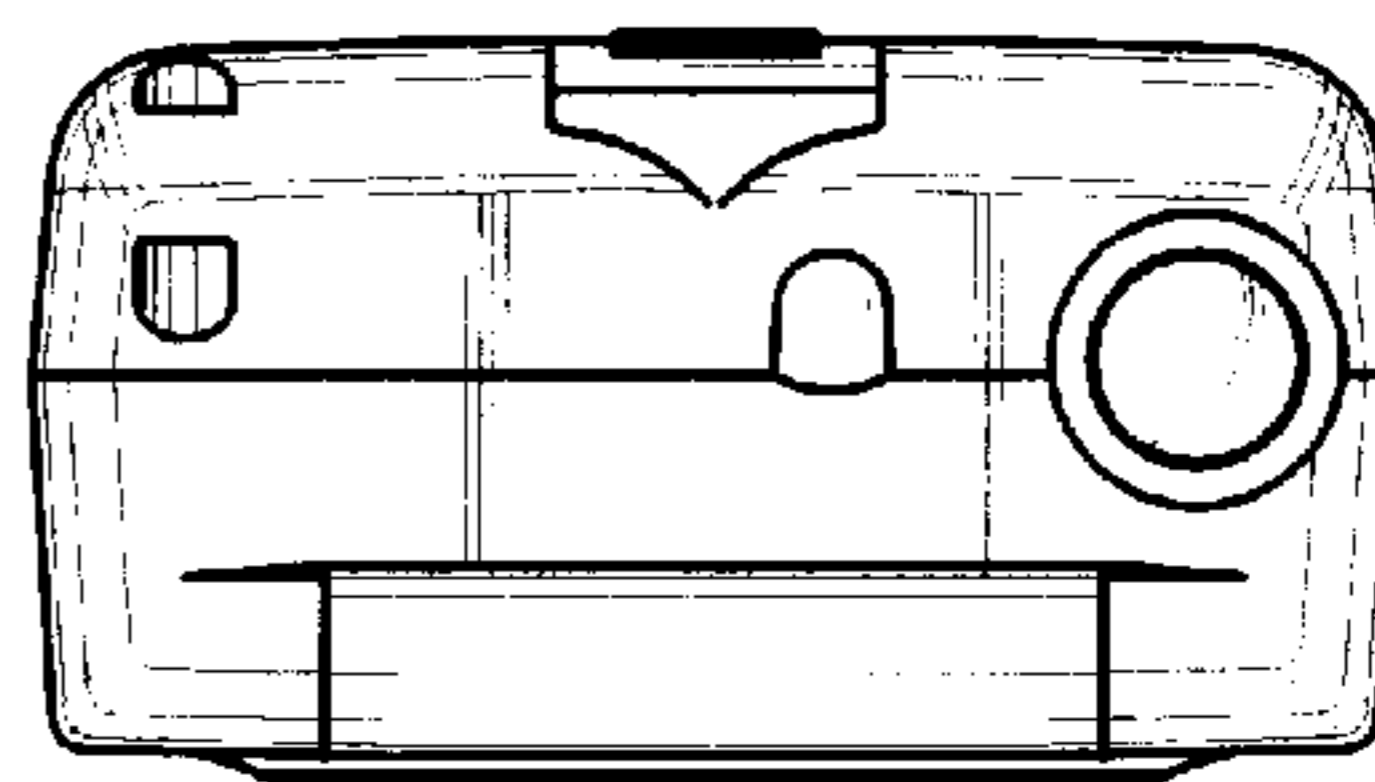


FIG. 5

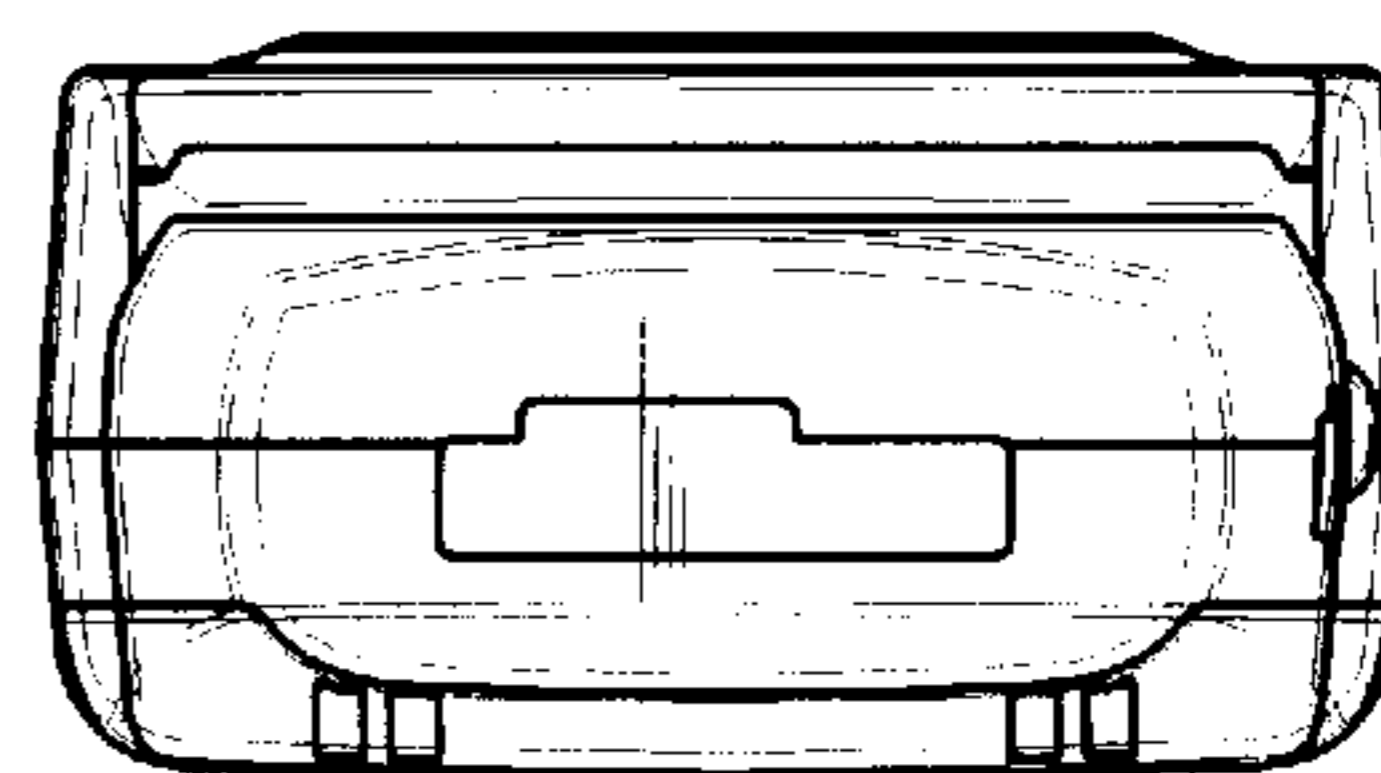


FIG.6

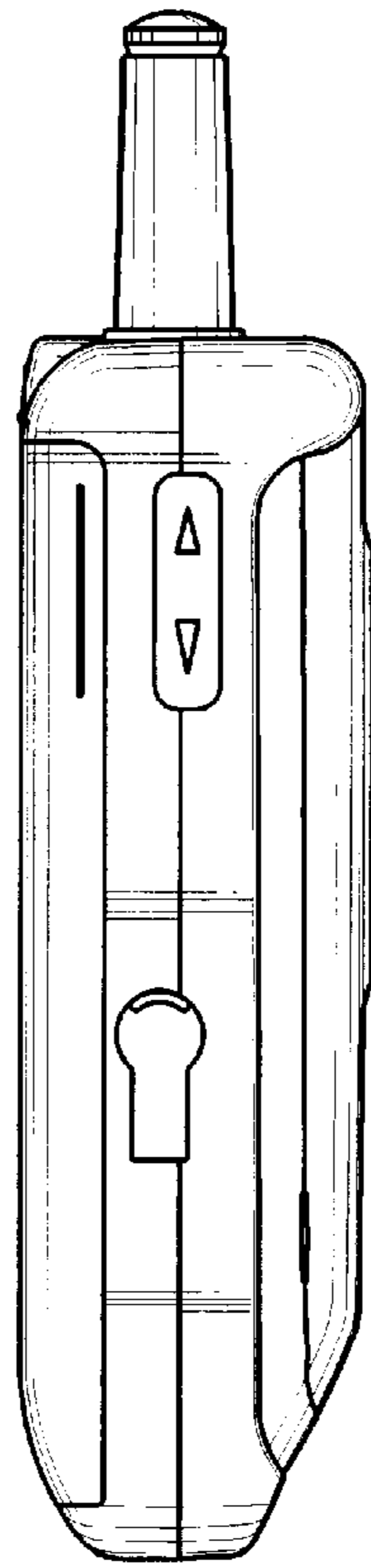


FIG.7

