



US00D428400S

United States Patent [19]

[11] Patent Number: **Des. 428,400**

Fåhraeus et al.

[45] Date of Patent: **** Jul. 18, 2000**

[54] **COMPUTERIZED DEVICE FOR REGISTERING AND DISPLAYING INFORMATION**

[75] Inventors: **Christer Fåhraeus, Lund; Olle Wranne, Göteborg, both of Sweden**

[73] Assignee: **C Technologies AB, Lund, Sweden**

[**] Term: **14 Years**

[21] Appl. No.: **29/095,671**

[22] Filed: **Oct. 28, 1998**

[30] **Foreign Application Priority Data**

Apr. 30, 1998 [SE] Sweden 98-0968

[51] **LOC (7) Cl.** **14-02**

[52] **U.S. Cl.** **D14/116**

[58] **Field of Search** D14/100, 107, D14/114, 116; D19/4-51; 235/375, 378, 385, 454, 462.15, 472.02, 486; 382/312-15, 321, 318-19; 250/203.1, 216; D26/37, 45, 50

[56] **References Cited**

U.S. PATENT DOCUMENTS

- D. 318,291 7/1991 Ohnumata D14/116 X
- D. 319,228 8/1991 Mori et al. D14/116
- D. 321,180 10/1991 Conversano et al. D14/116
- D. 330,707 11/1992 Whitaker D14/116

- D. 331,750 12/1992 Yang D14/114
- D. 343,829 2/1994 Okuda et al. D14/116
- D. 344,500 2/1994 Bruce et al. D14/116
- D. 351,151 10/1994 Park et al. D14/116
- D. 351,392 10/1994 Bridges D14/116 X
- D. 352,939 11/1994 Karlin D14/116
- D. 400,579 11/1998 Ham D14/116 X

Primary Examiner—M. H. Tung
Attorney, Agent, or Firm—Cooper & Dunham LLP

[57] **CLAIM**

The ornamental design for a computerized device for registering and displaying information, as shown and described.

DESCRIPTION

FIG. 1 is a top right perspective view of a computerized device for registering and displaying information showing my new design;
 FIG. 2 is a bottom perspective view;
 FIG. 3 is a top left perspective view;
 FIG. 4 is a bottom right perspective view;
 FIG. 5 is a top plan view;
 FIG. 6 is a bottom plan view;
 FIG. 7 is a right side elevational view;
 FIG. 8 is a left side elevational view;
 FIG. 9 is a front elevational view; and,
 FIG. 10 is a rear elevational view.

The broken line drawing of the element shown in FIGS. 2, 4, 6-10 is for illustrative purposes only and forms no part of the claimed design.

1 Claim, 2 Drawing Sheets

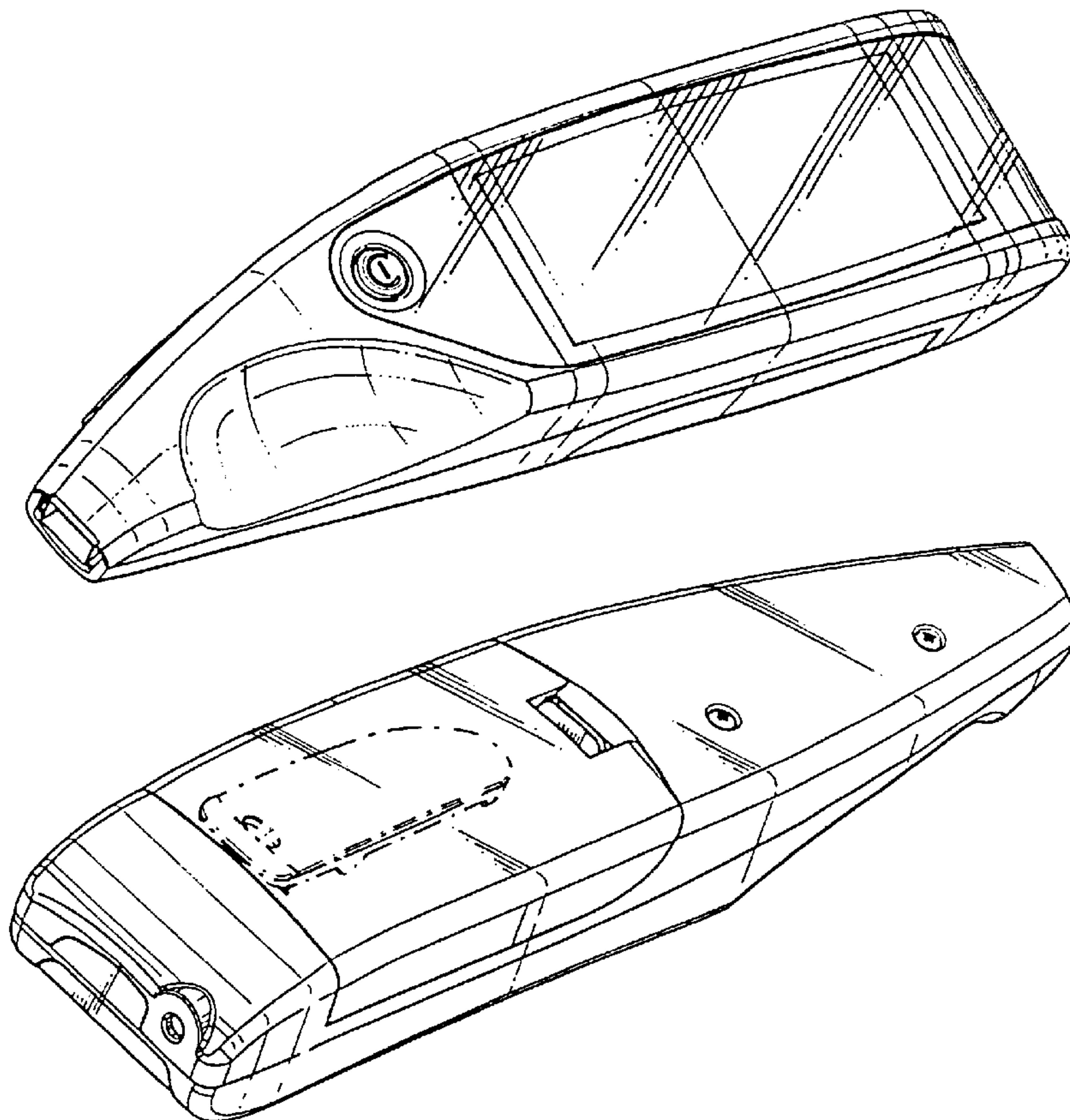


FIG 1

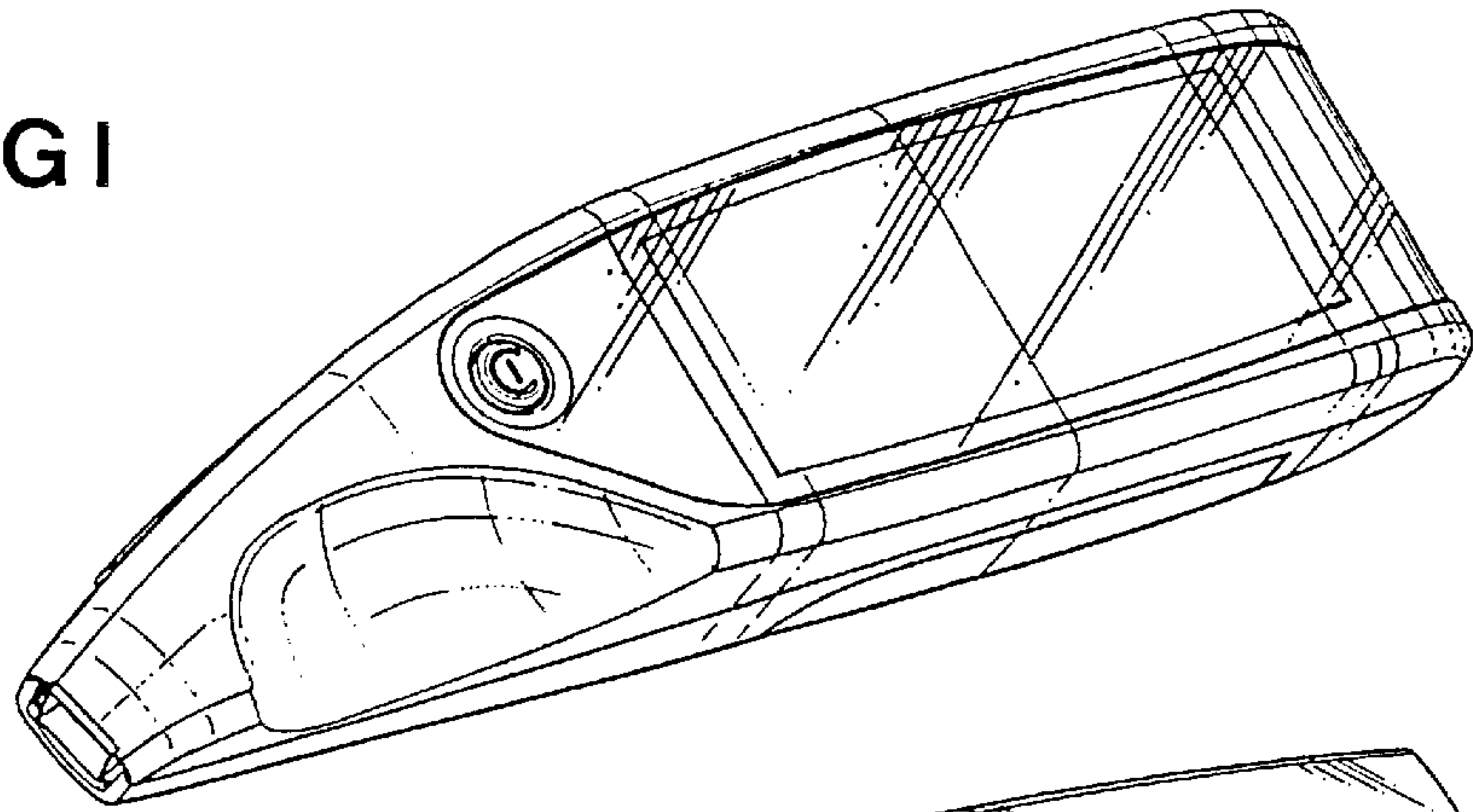


FIG 2

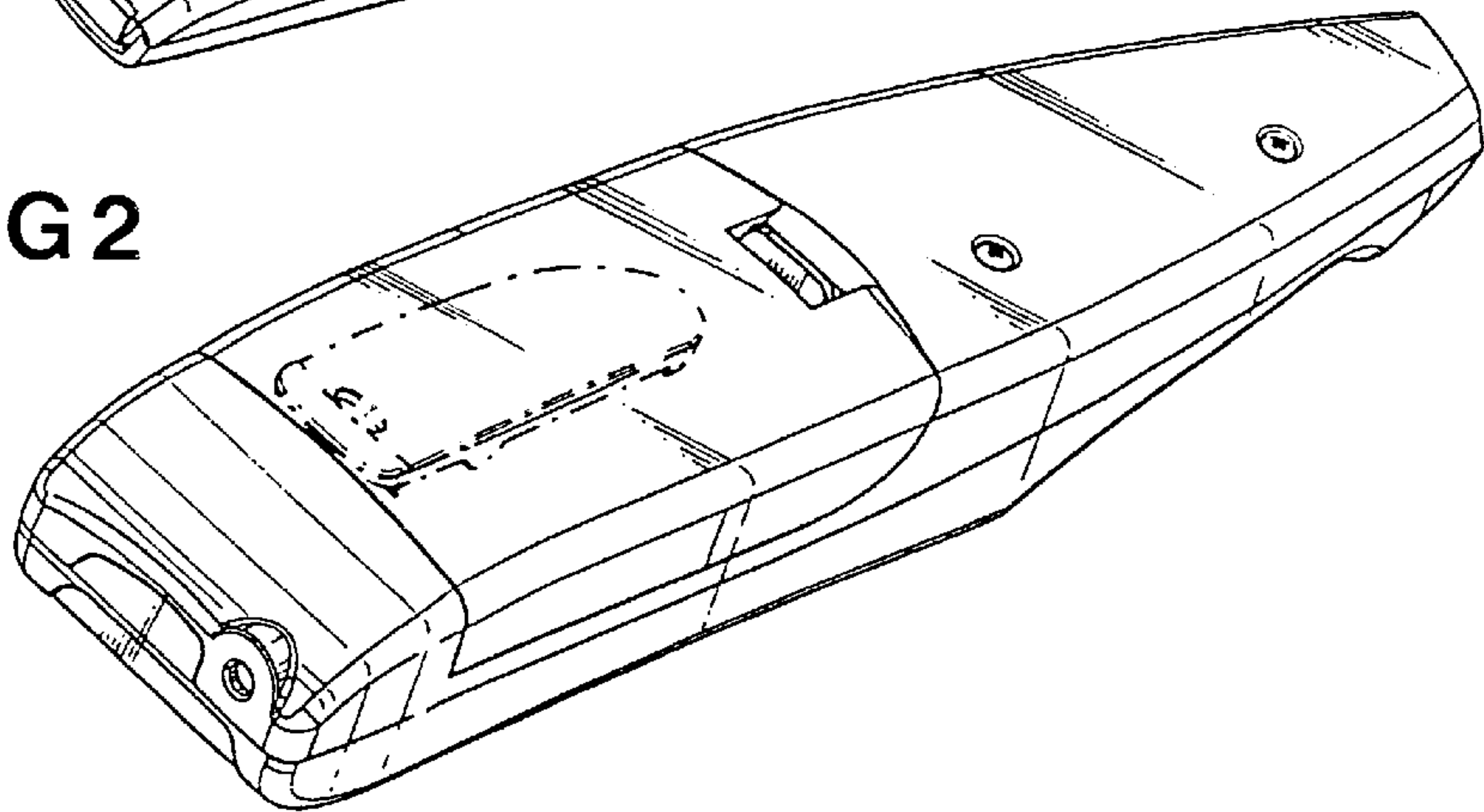


FIG 3

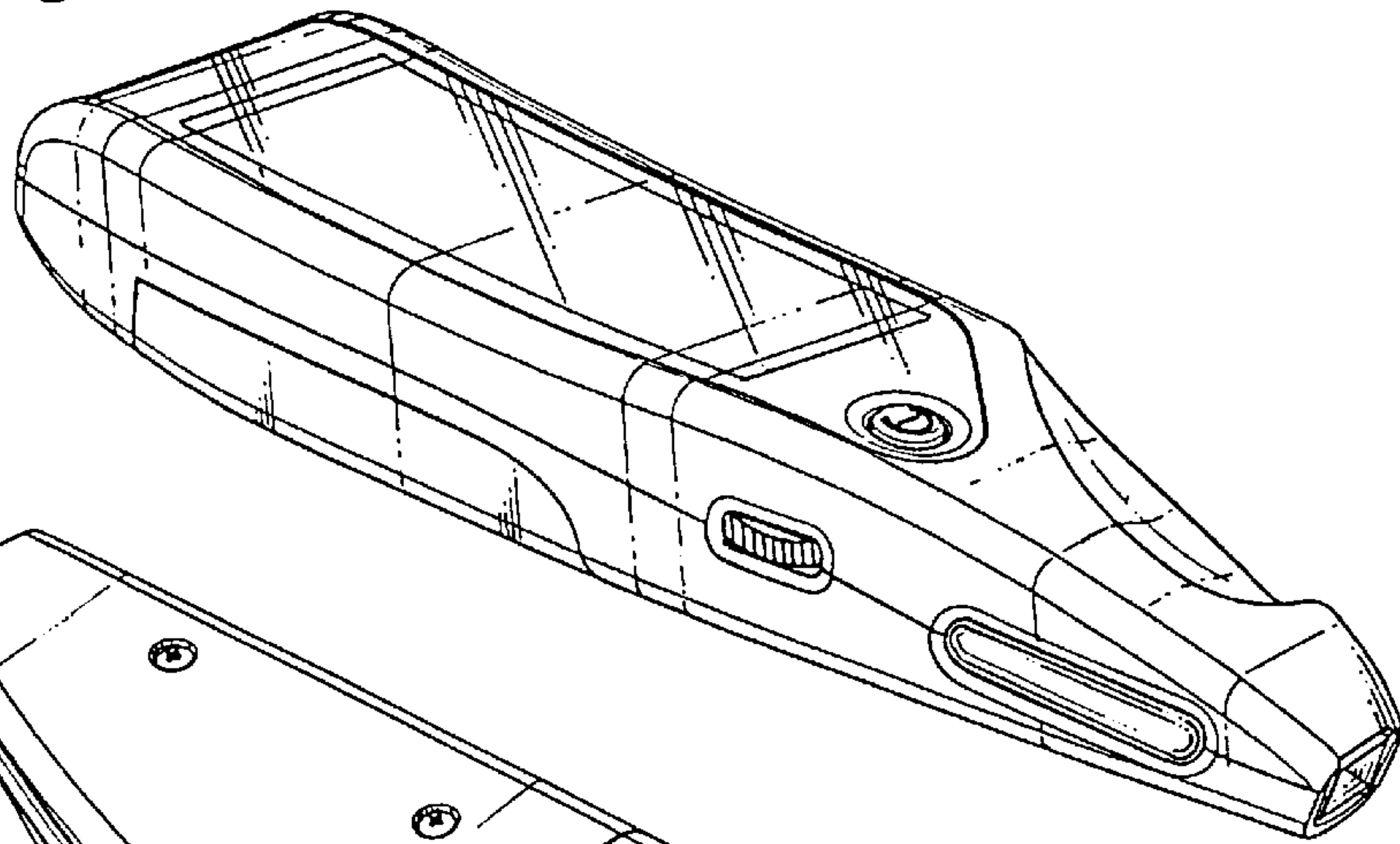
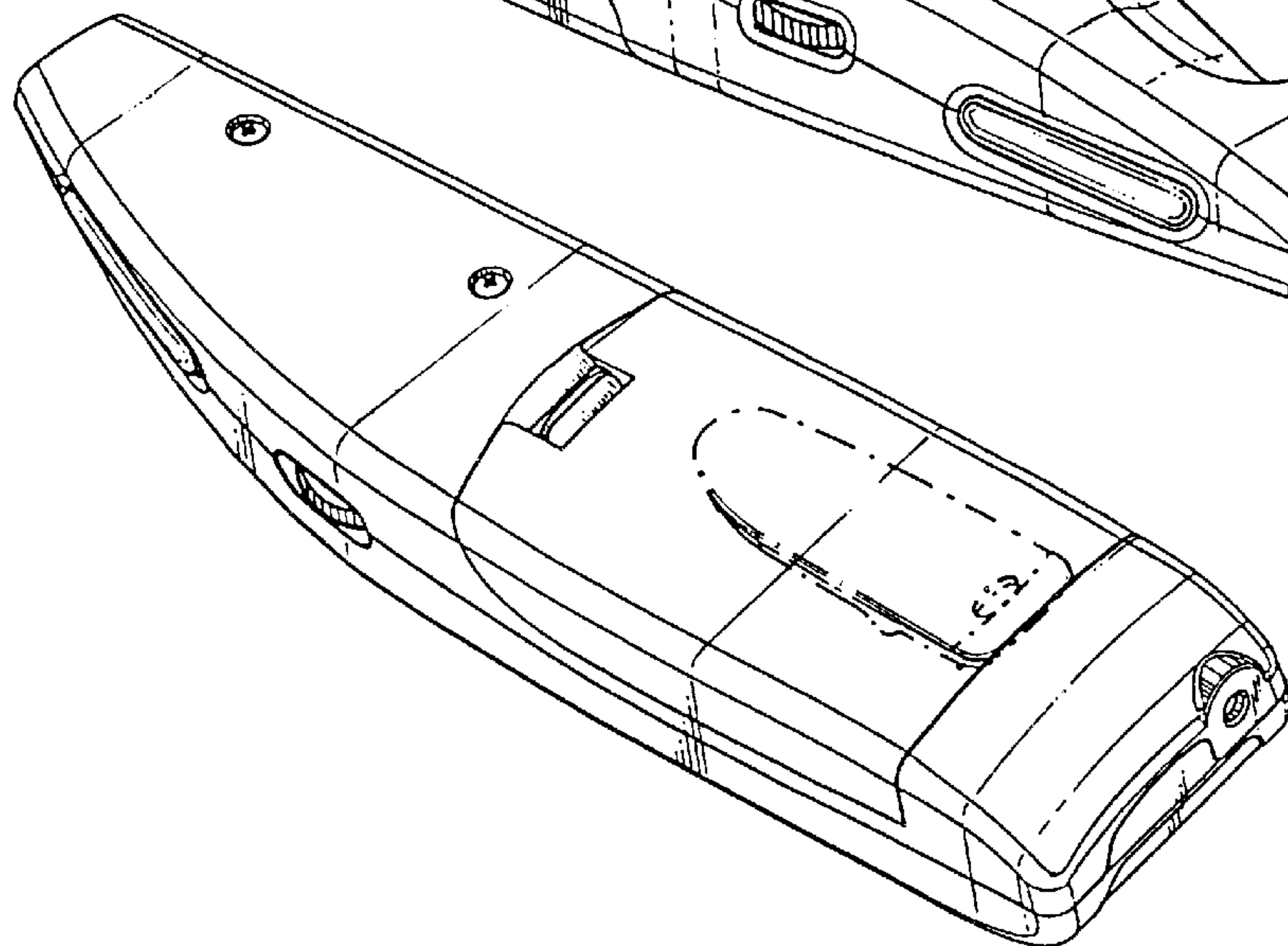


FIG 4



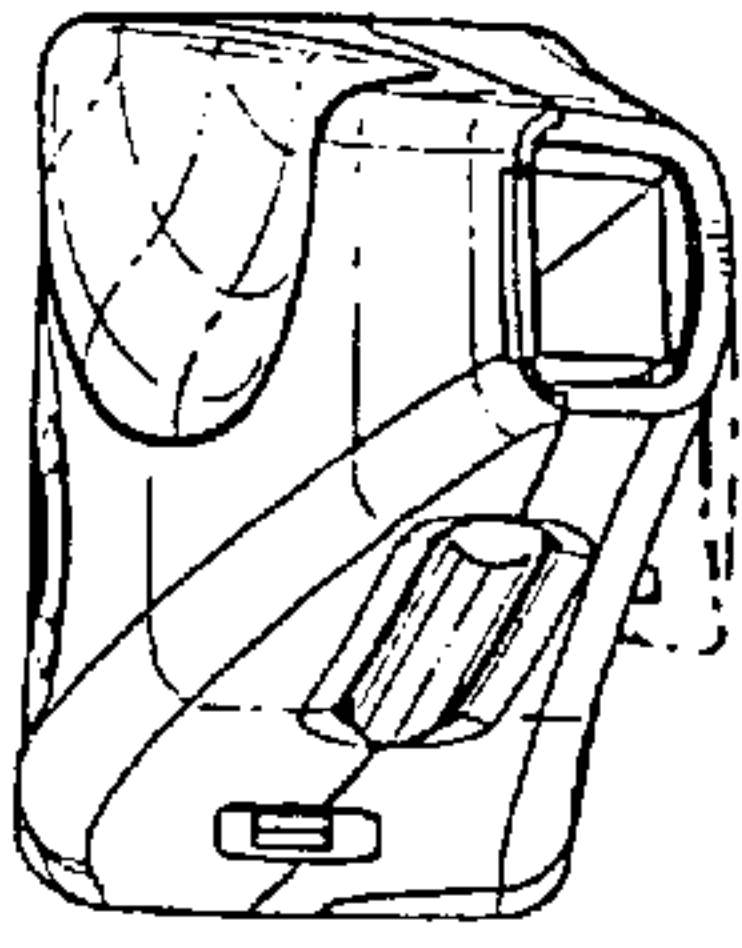


FIG 9

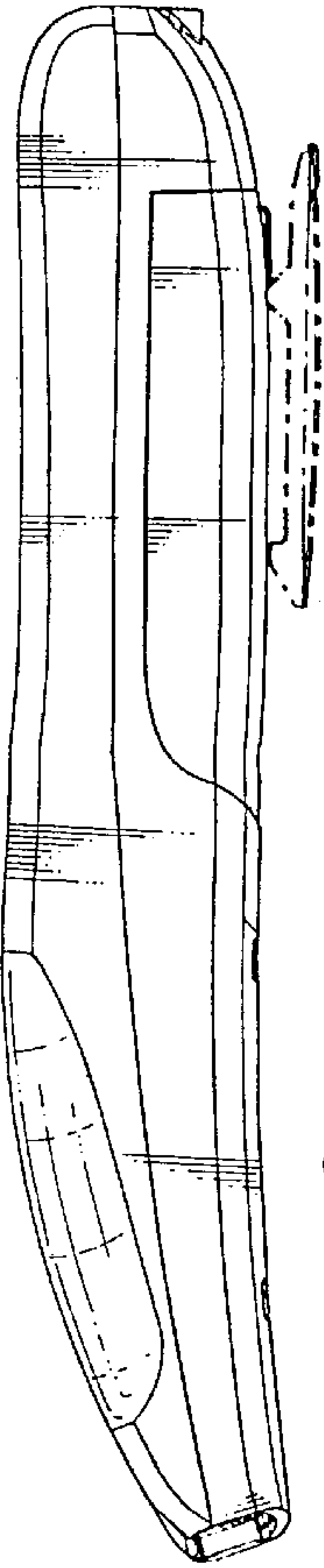


FIG 7

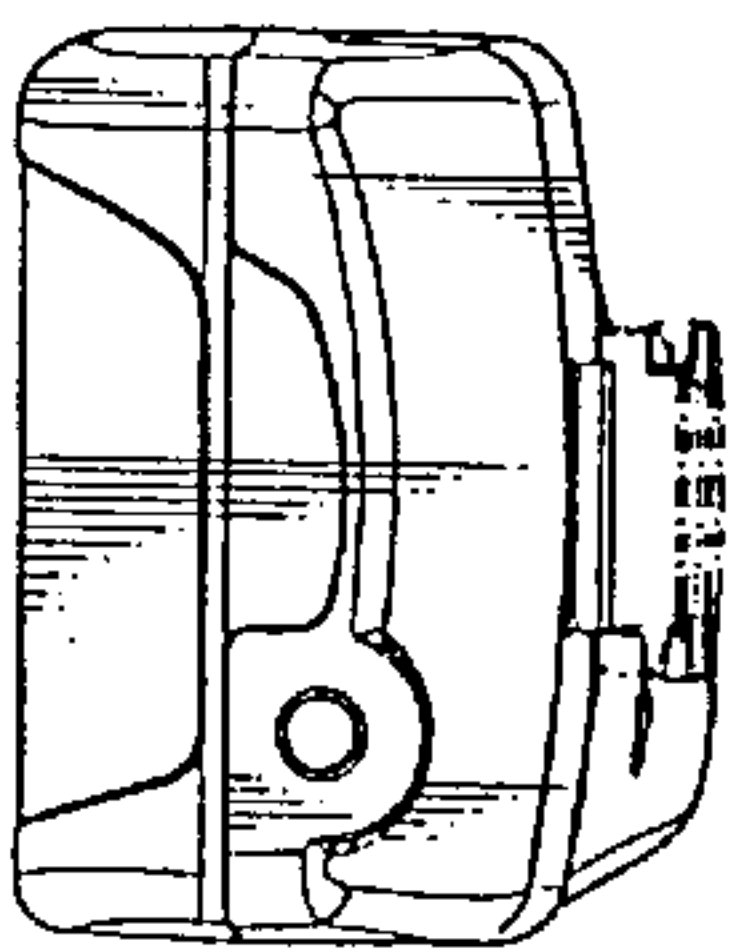


FIG 10

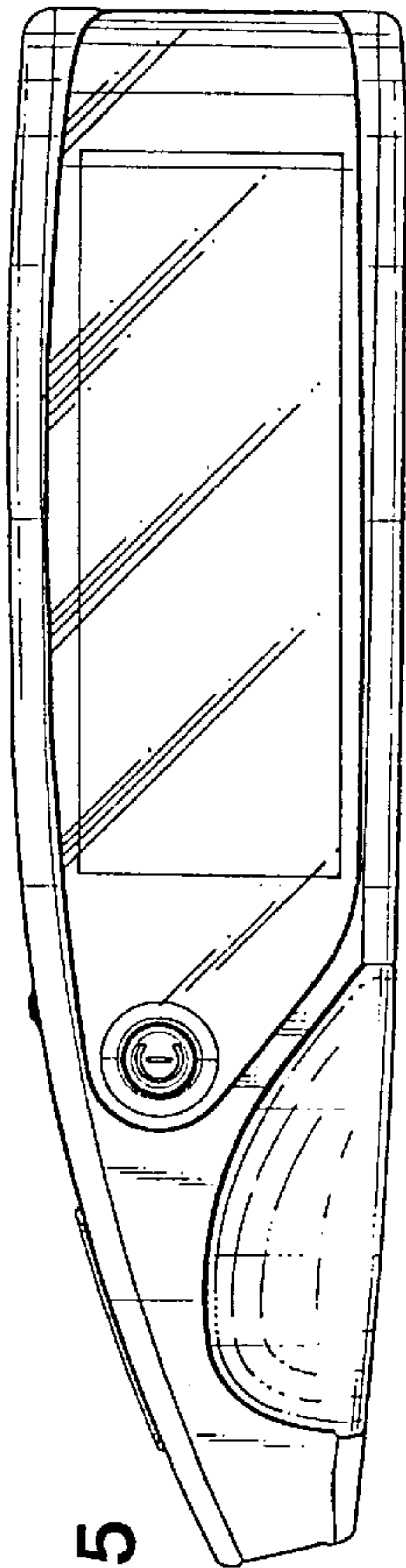


FIG. 5

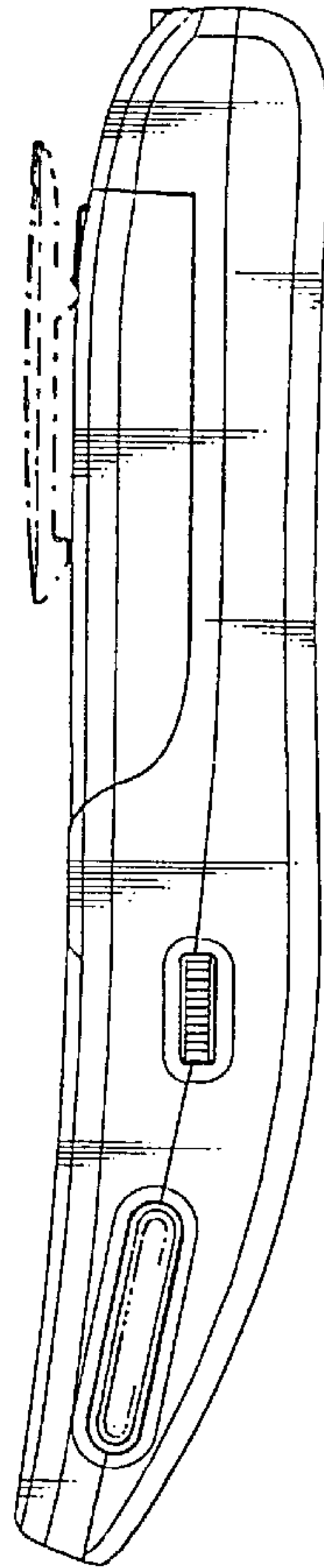


FIG 8

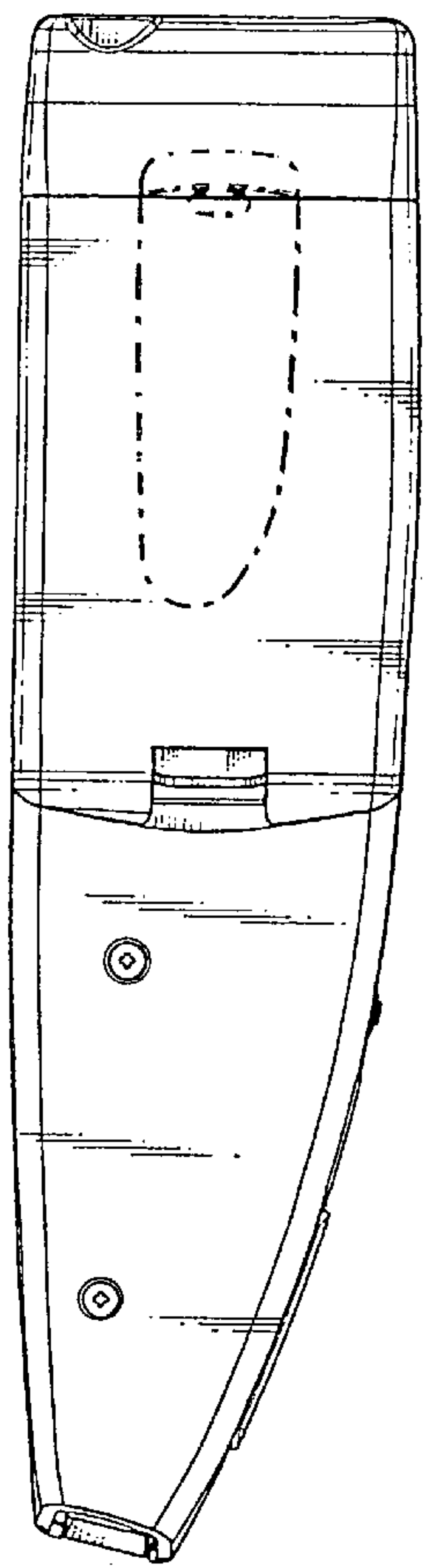


FIG 6