



US00D428396S

United States Patent [19]

Smith et al.

[11] Patent Number: Des. 428,396

[45] Date of Patent: ** Jul. 18, 2000

[54] COMPUTER MOUSE

[76] Inventors: **Darrell A. Smith**, 2225 N. 7th St., Phoenix, Ariz. 85006; **Cardell R. Frierson**, 7324 Skillman St., #1706, Dallas, Tex. 75231

[**] Term: 14 Years

[21] Appl. No.: 29/105,783

[22] Filed: Jun. 1, 1999

[51] LOC (7) Cl. 14-02

[52] U.S. Cl. D14/114

[58] Field of Search D14/100, 114; D13/158; D21/324-33, 385; 200/5 R, 5 A, 6 R, 6 A; 273/148 B; 345/156-67; 74/471 XY; 463/36-9

[56] **References Cited**

U.S. PATENT DOCUMENTS

- D. 343,392 1/1994 Harden et al. D14/114
- D. 359,037 6/1995 Siano, Jr. D14/114

- D. 359,278 6/1995 Morrison et al. D14/114
- D. 361,559 8/1995 Siano, Jr. D14/114
- D. 374,001 9/1996 Vance D14/114
- D. 378,516 3/1997 Smith et al. D14/114
- D. 380,210 6/1997 Allana et al. D14/114

Primary Examiner—M. H. Tung
Attorney, Agent, or Firm—Laura J. Zeman; Snell & Wilmer, L.L.P.

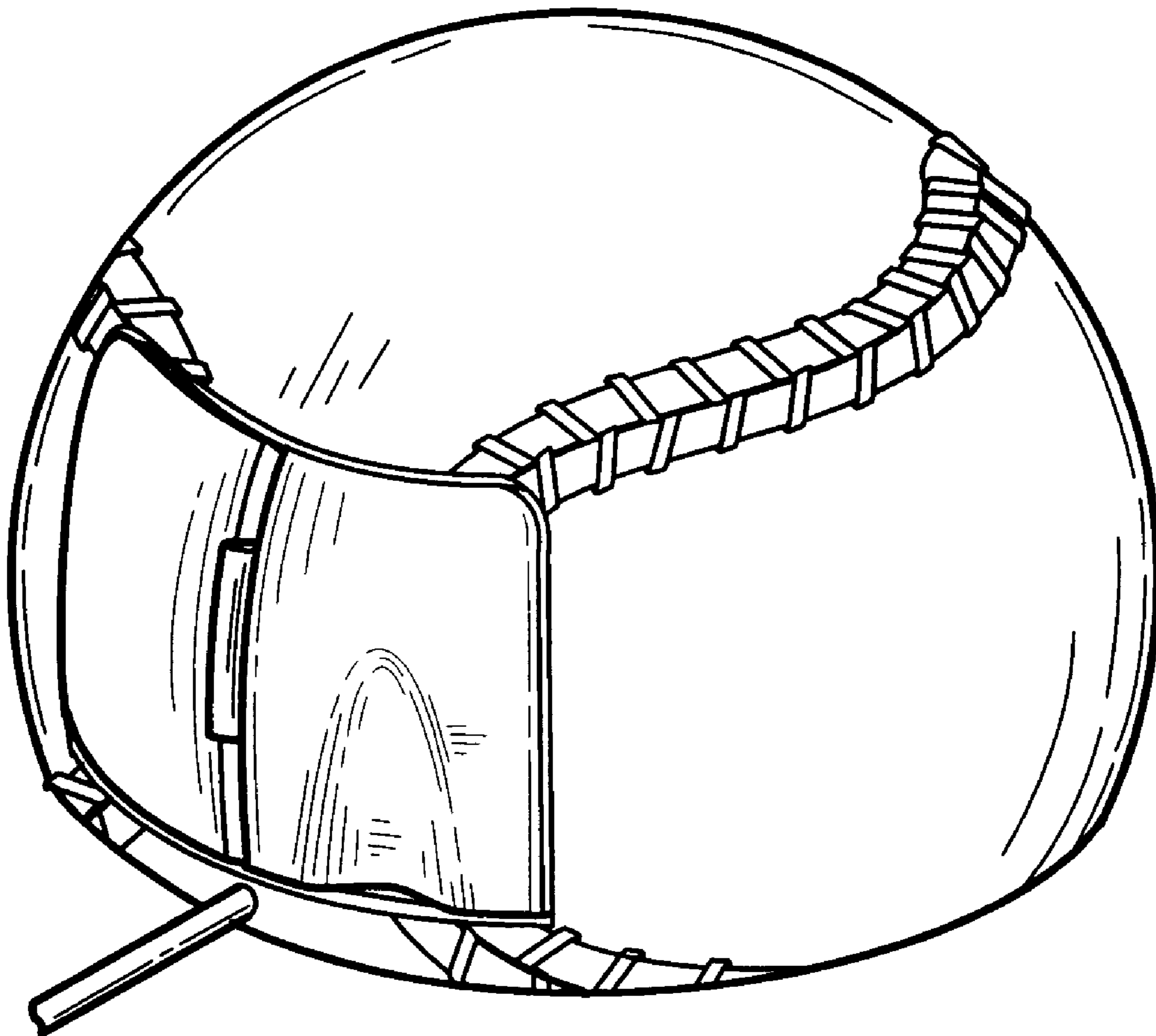
[57] **CLAIM**

The design for the computer mouse, as shown and described.

DESCRIPTION

FIG. 1 is a perspective view of a computer mouse showing our new design;
FIG. 2 is a front elevational view thereof;
FIG. 3 is a rear elevational view thereof;
FIG. 4 is a side elevational view thereof;
FIG. 5 is an opposite side elevational view thereof;
FIG. 6 is a top plan view thereof; and,
FIG. 7 is a bottom plan view thereof.

1 Claim, 3 Drawing Sheets



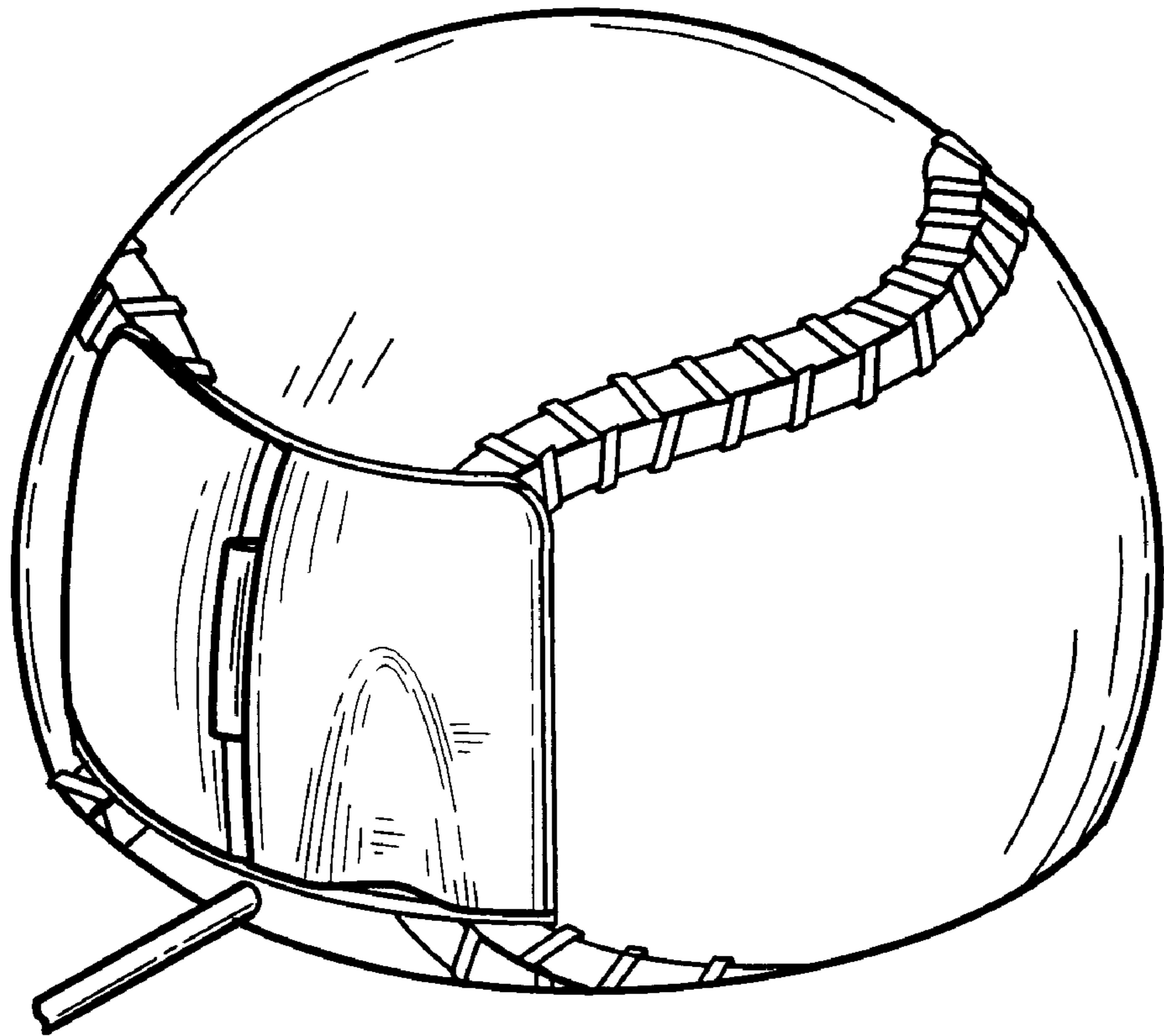


FIG. 1

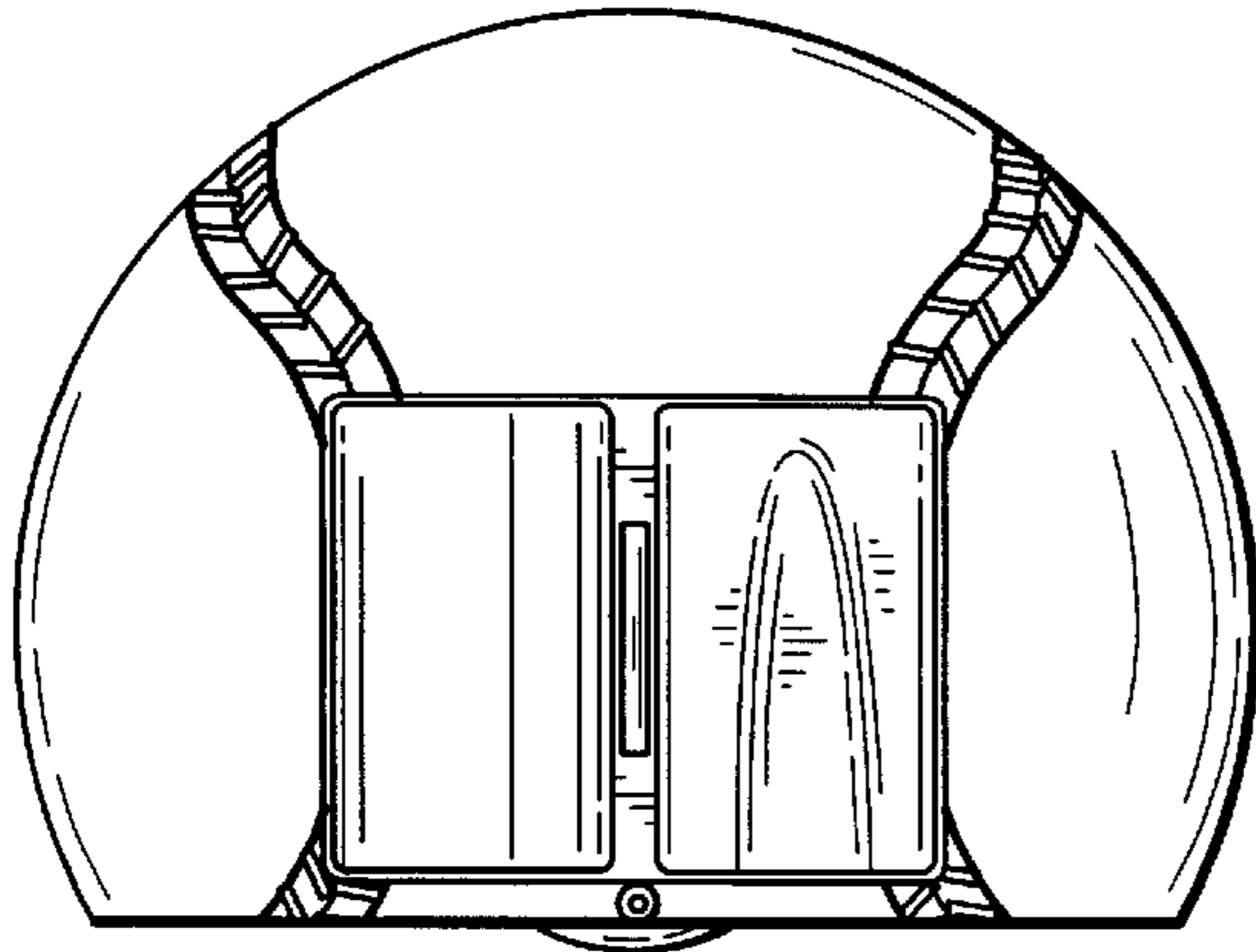


FIG. 2

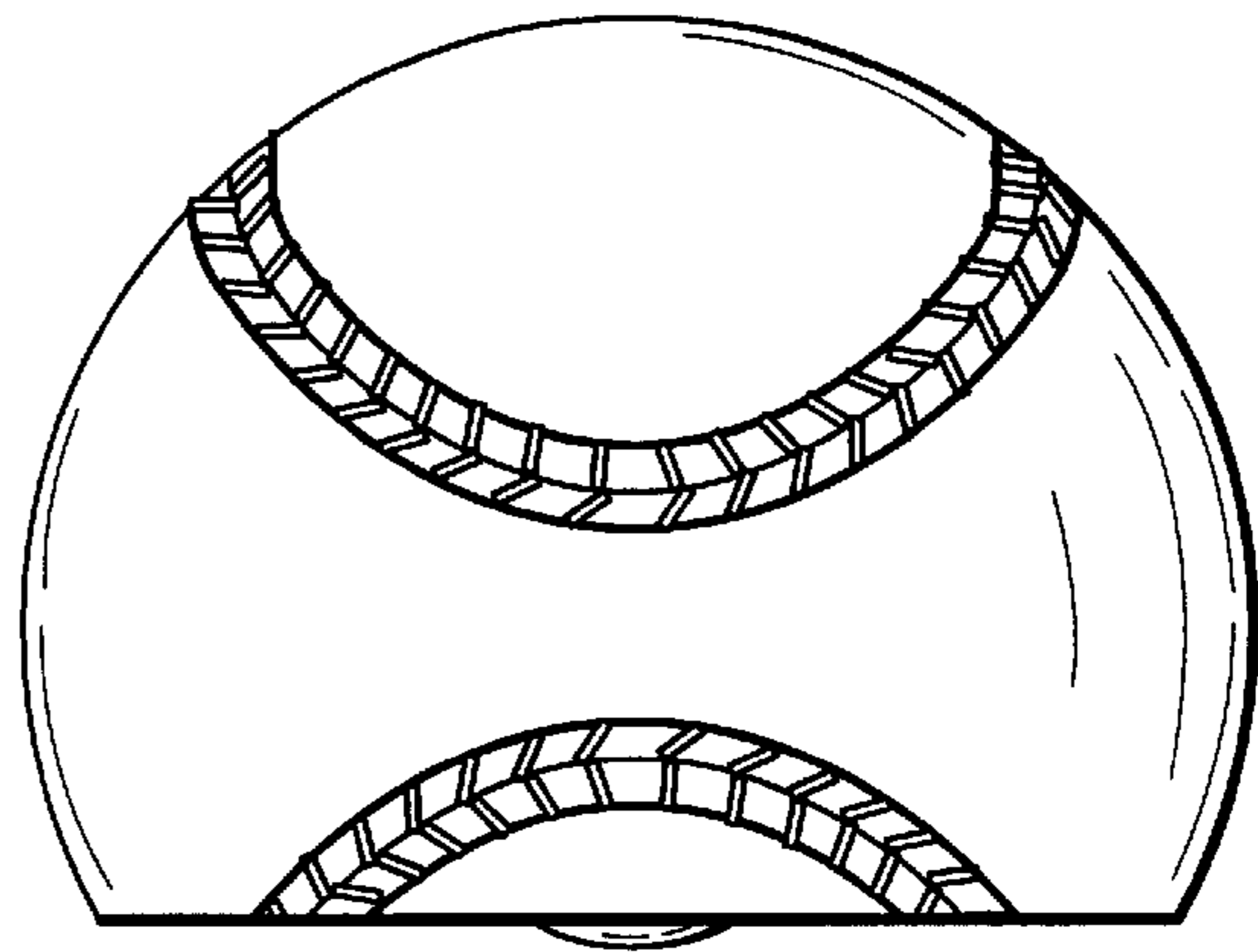


FIG. 3

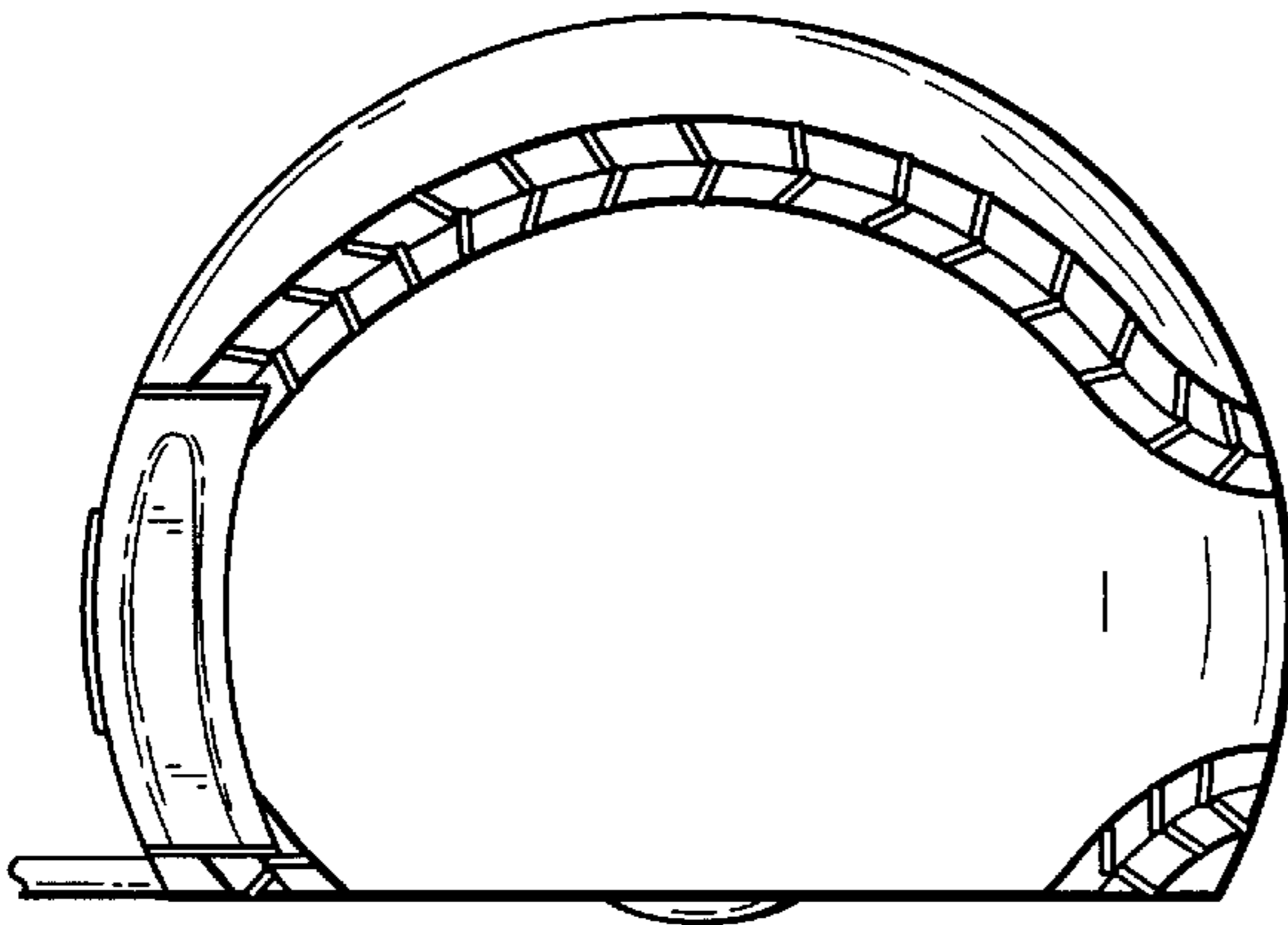


FIG. 4

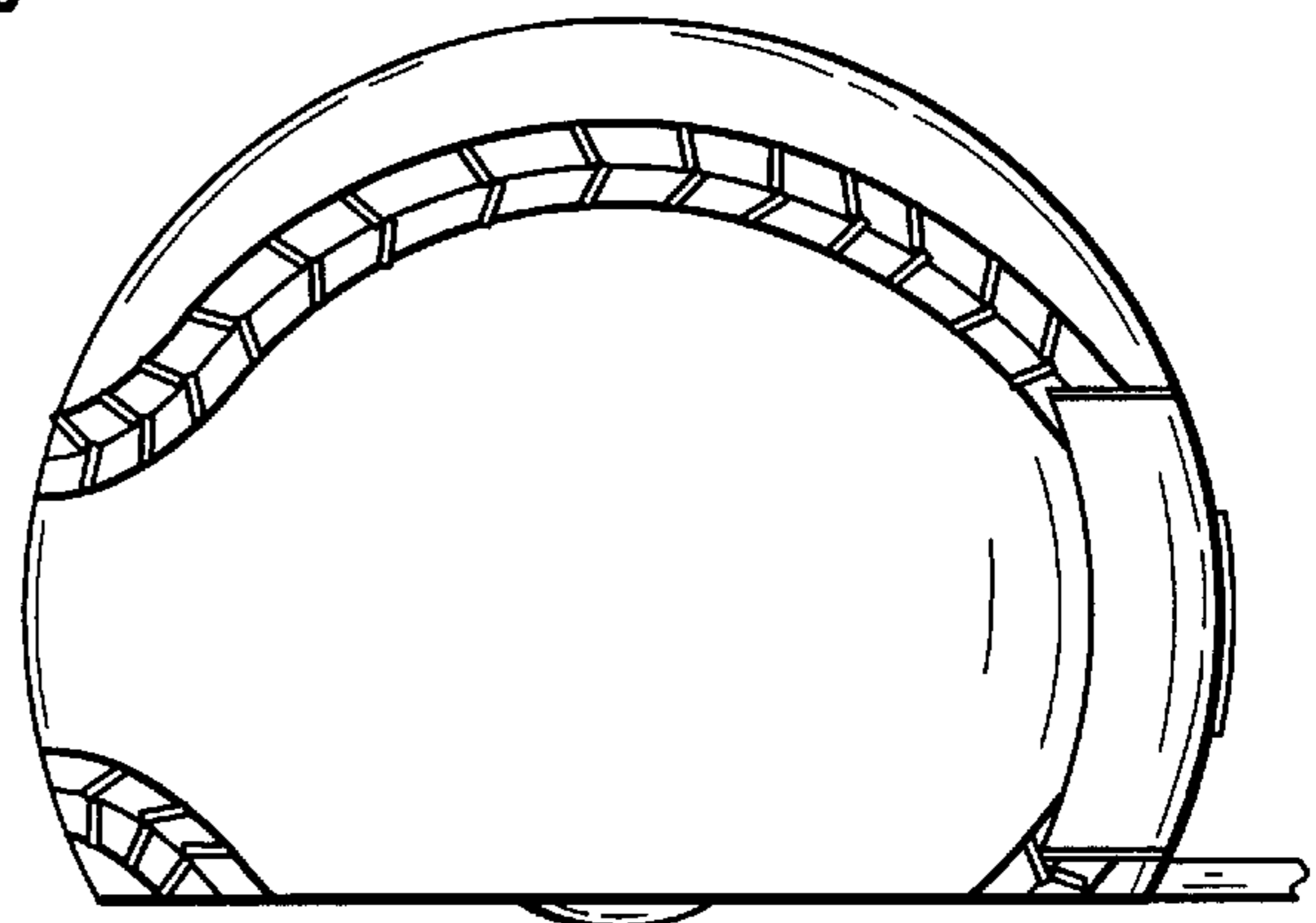


FIG. 5

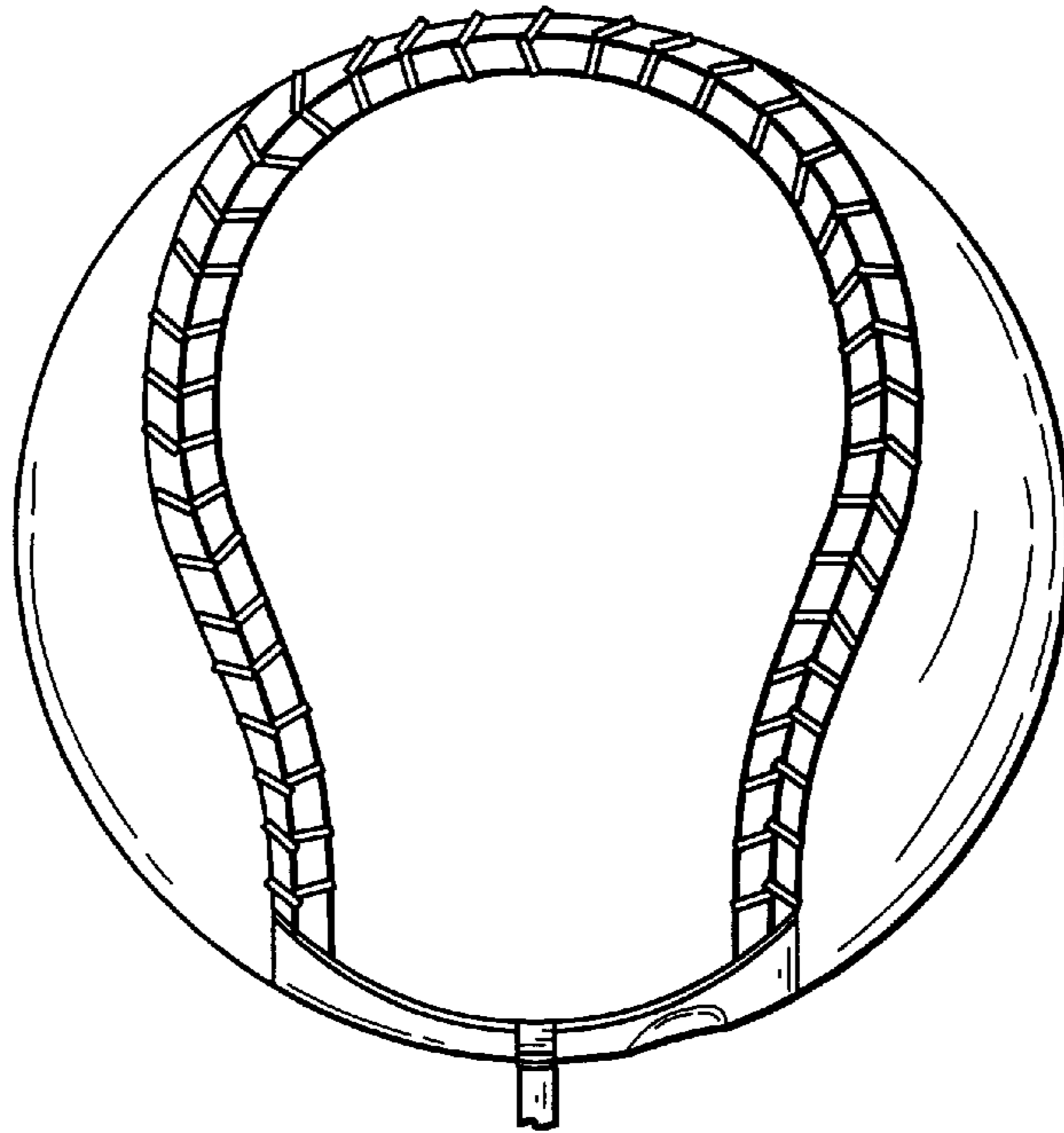


FIG. 6

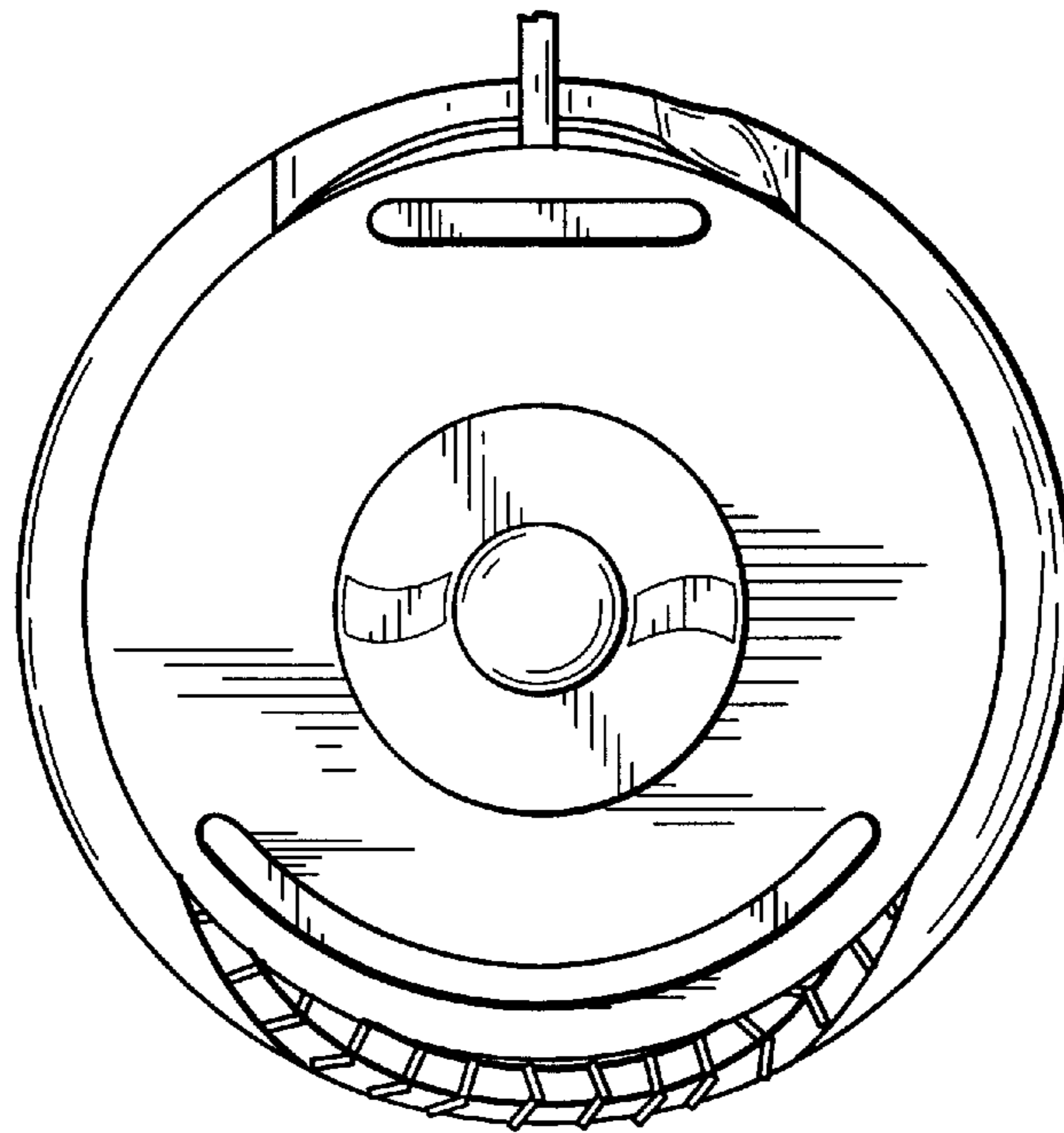


FIG. 7