



US00D428395S

# United States Patent [19] Jensen

[11] **Patent Number: Des. 428,395**  
[45] **Date of Patent: \*\* \*Jul. 18, 2000**

[54] **COMBINED COMPUTER MOUSE PAD AND HAND REST**

[76] Inventor: **Reece C. Jensen**, P.O. Box 2781, Gardnerville, Nev. 89410

[\*] Notice: This patent is subject to a terminal disclaimer.

[\*\*] Term: **14 Years**

[21] Appl. No.: **29/042,779**

[22] Filed: **Aug. 17, 1995**

[51] **LOC (7) Cl.** ..... **14-02**

[52] **U.S. Cl.** ..... **D14/114**

[58] **Field of Search** ..... D14/100, 114; D18/2; 248/118, 118.1, 118.5, 346.01, 489, 917-24; 400/689-93, 715; D6/601; 5/448, 623

[56] **References Cited**

**U.S. PATENT DOCUMENTS**

|            |         |                 |       |           |
|------------|---------|-----------------|-------|-----------|
| D. 355,647 | 2/1995  | Gresko          | ..... | D14/114   |
| D. 362,665 | 9/1995  | Knighton et al. | ..... | D14/114   |
| 4,482,063  | 11/1984 | Berke et al.    | ..... | D14/114 X |
| 4,482,064  | 11/1984 | Berke et al.    | ..... | D14/114 X |
| 5,169,103  | 12/1992 | Jimenez et al.  | ..... | 248/118   |
| 5,242,139  | 9/1993  | Aldrich         | ..... | 248/118   |

*Primary Examiner*—M. H. Tung

*Attorney, Agent, or Firm*—Brian C. Kelly

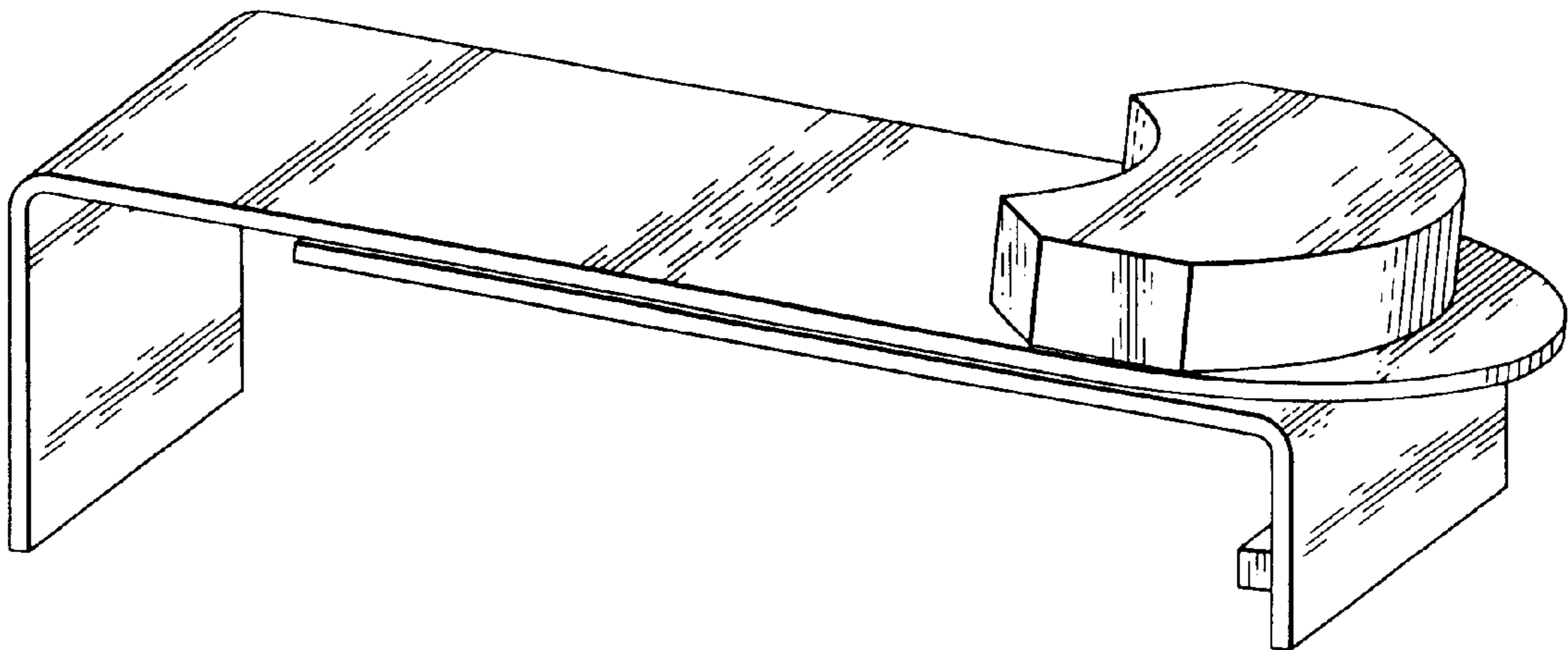
[57] **CLAIM**

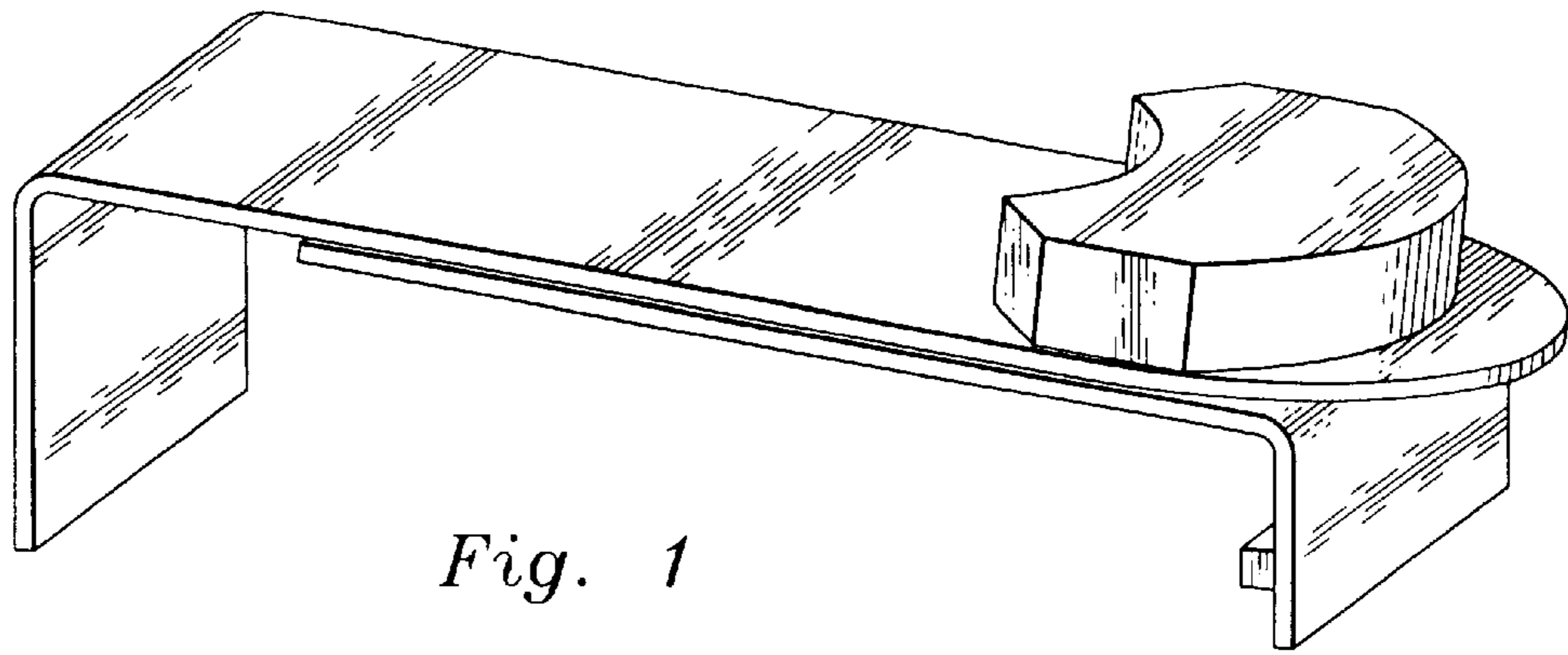
The ornamental design for a combined computer mouse pad and hand rest, as shown and described.

**DESCRIPTION**

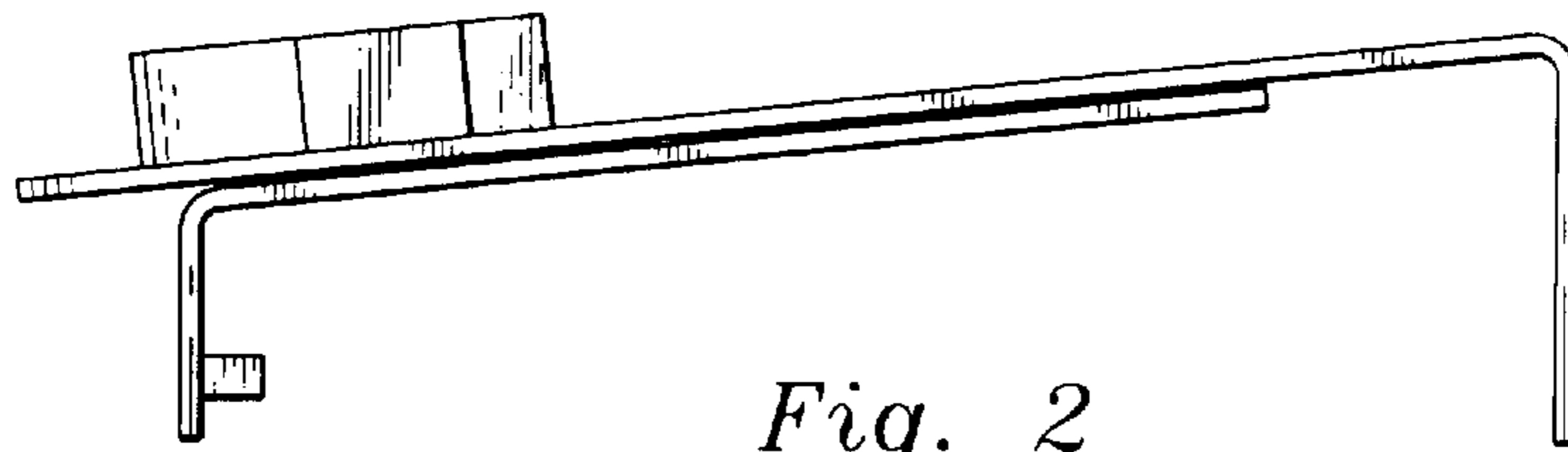
FIG. 1 is a perspective view;  
 FIG. 2 is a left side view;  
 FIG. 3 is a right side view;  
 FIG. 4 is a top plan view  
 FIG. 5 is a front view;  
 FIG. 6 is a rear view;  
 FIG. 7 is a bottom plan view;  
 FIG. 8 is a left view, the claimed design is shown in expanded position;  
 FIG. 9 is a perspective view of a second embodiment;  
 FIG. 10 is a left side view;  
 FIG. 11 is a right side view;  
 FIG. 12 is a top plan view;  
 FIG. 13 is a front view;  
 FIG. 14 is a rear view;  
 FIG. 15 is a bottom plan view; and,  
 FIG. 16 is a side view in elevated position, the broken line drawing of a keyboard is for illustrative purposes only and forms no part of the claimed design.  
 The broken line drawings of a hand, a computer mouse, and a keyboard in FIGS. 3, 8 and 11 are for illustrative purposes only and form no part of the claimed design.

**1 Claim, 4 Drawing Sheets**

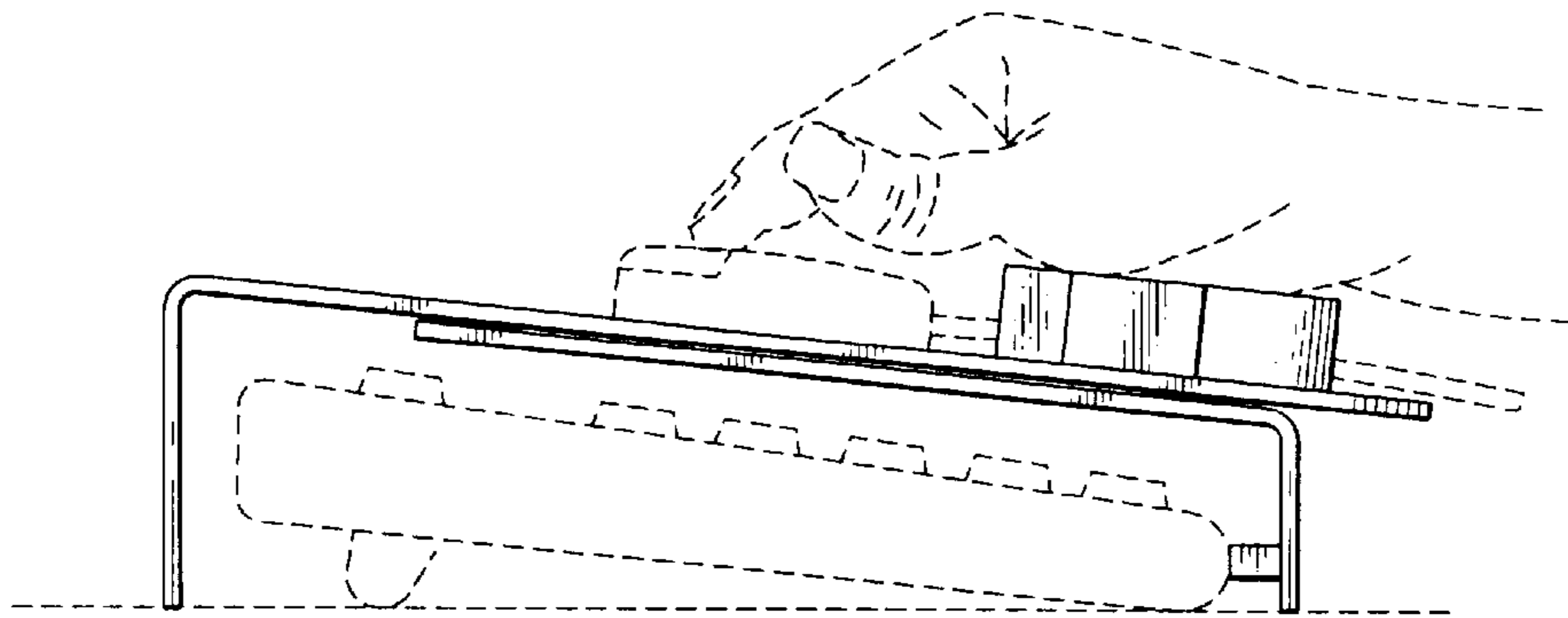




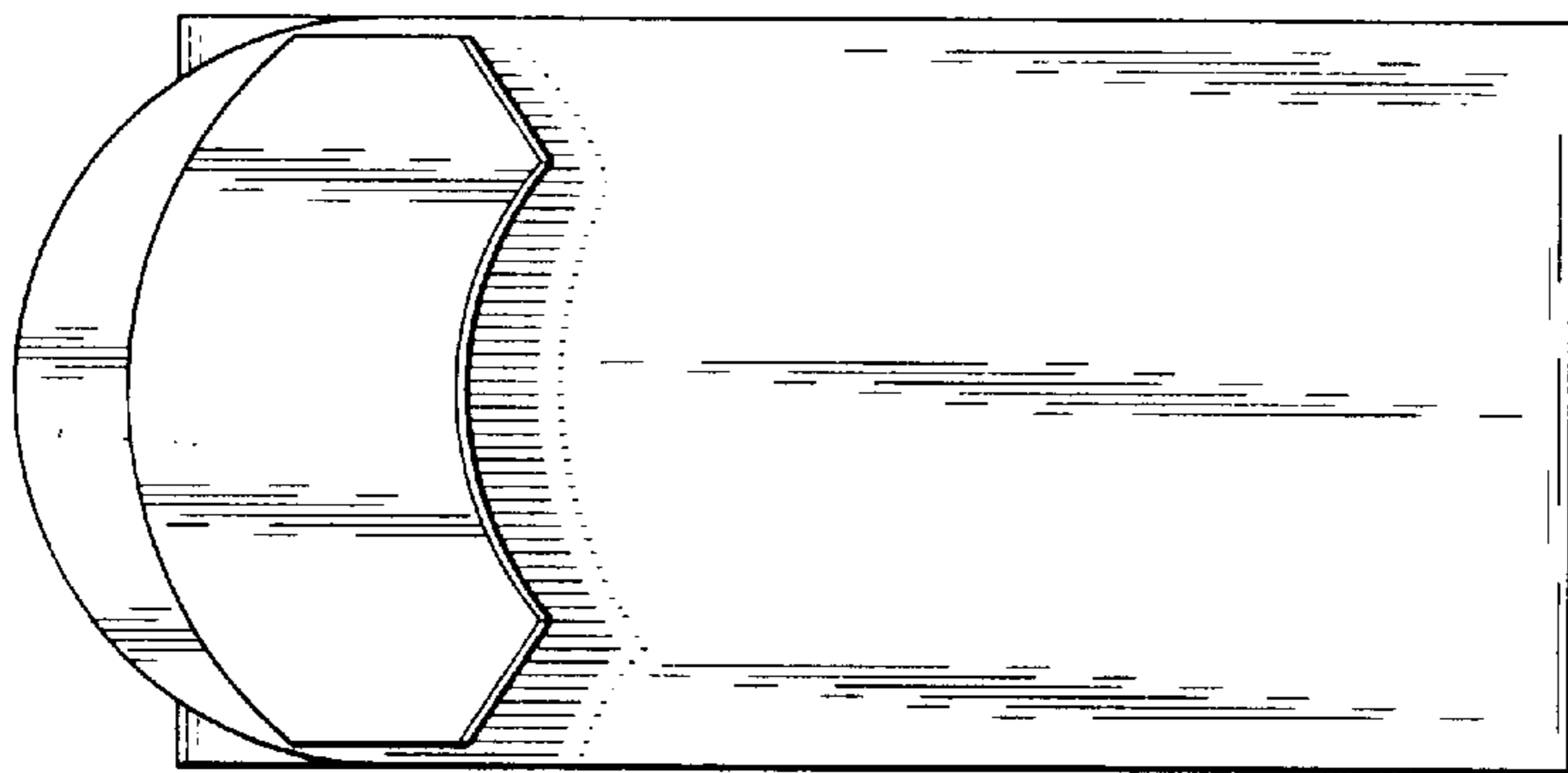
*Fig. 1*



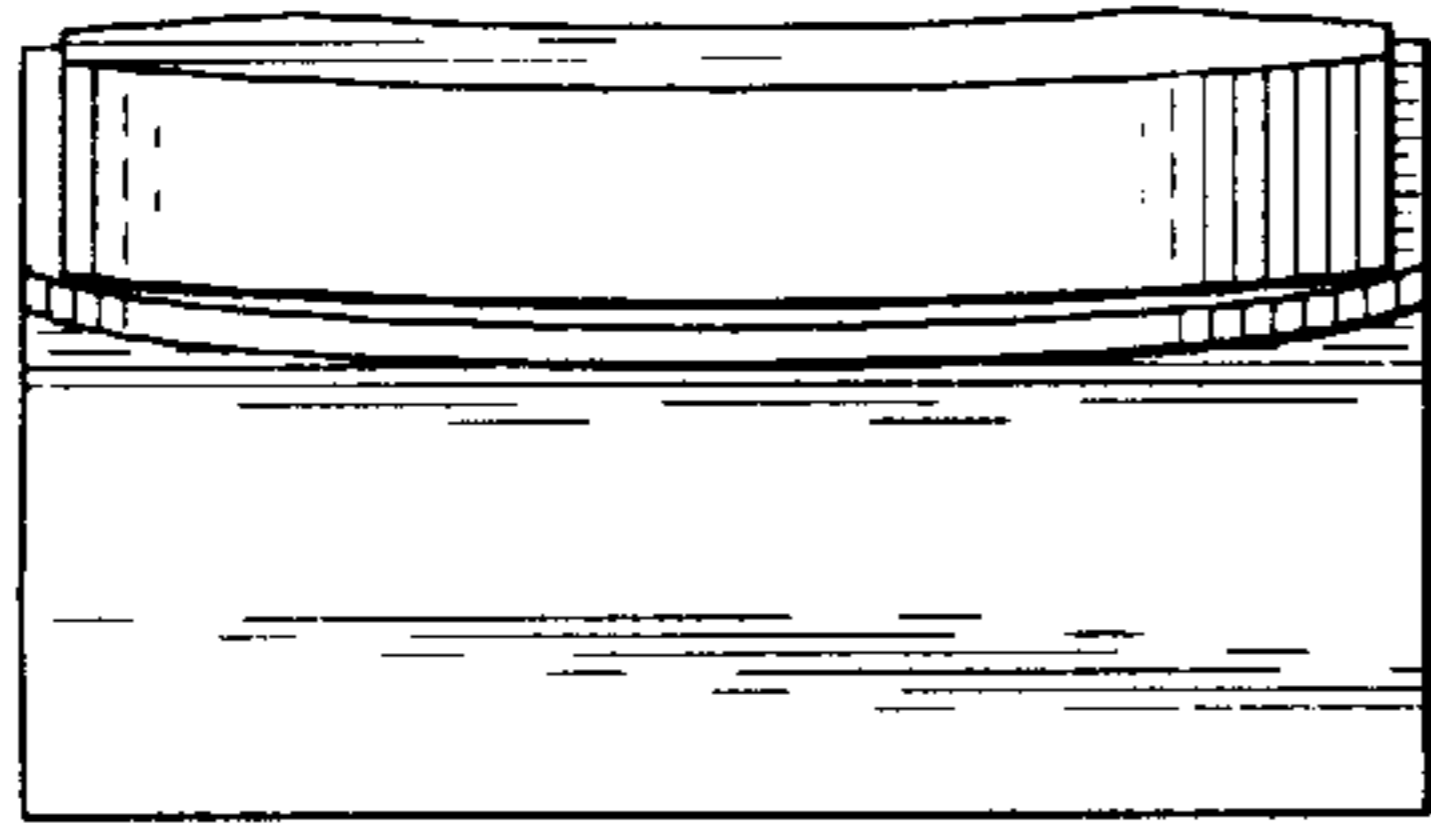
*Fig. 2*



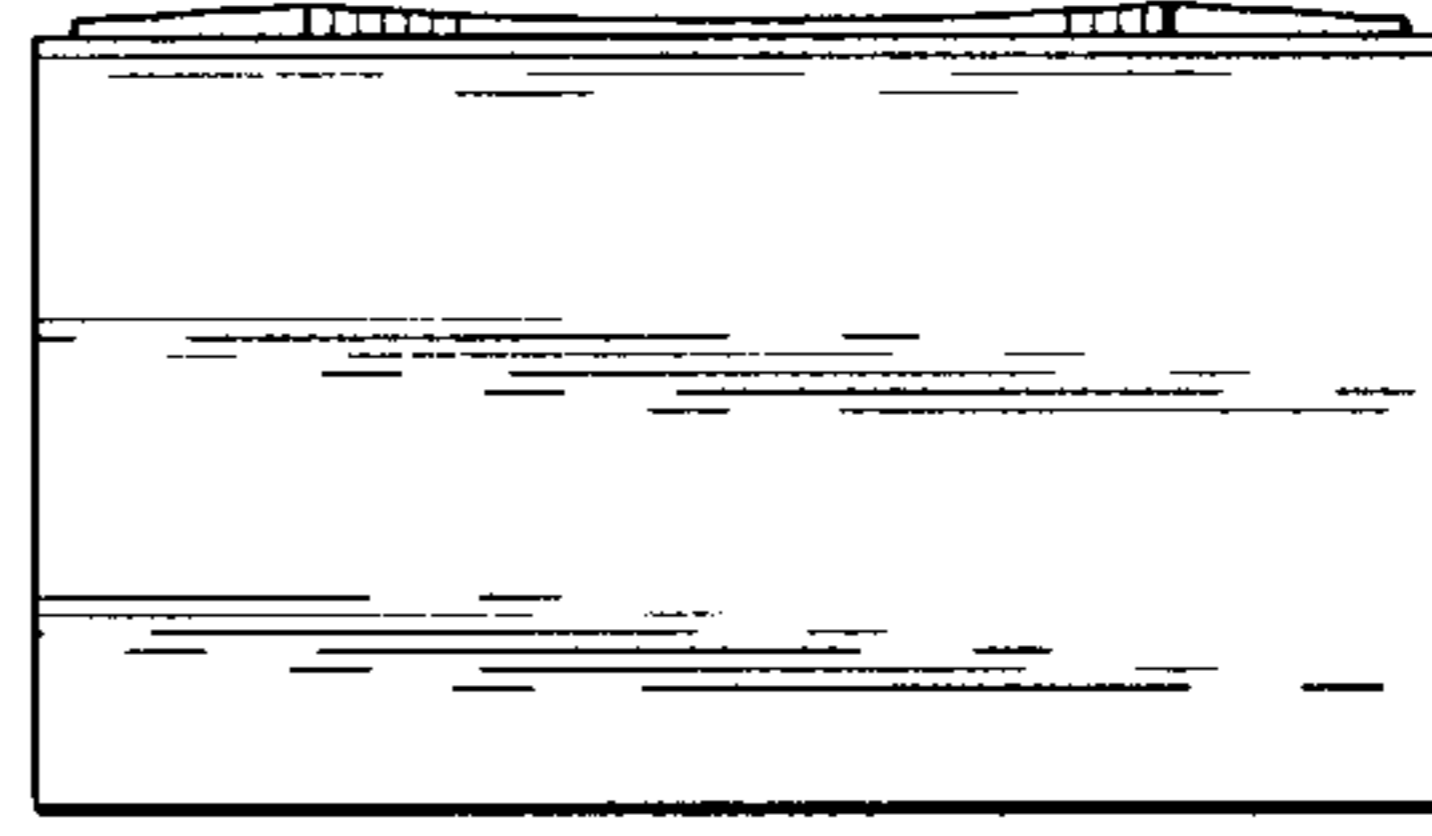
*Fig. 3*



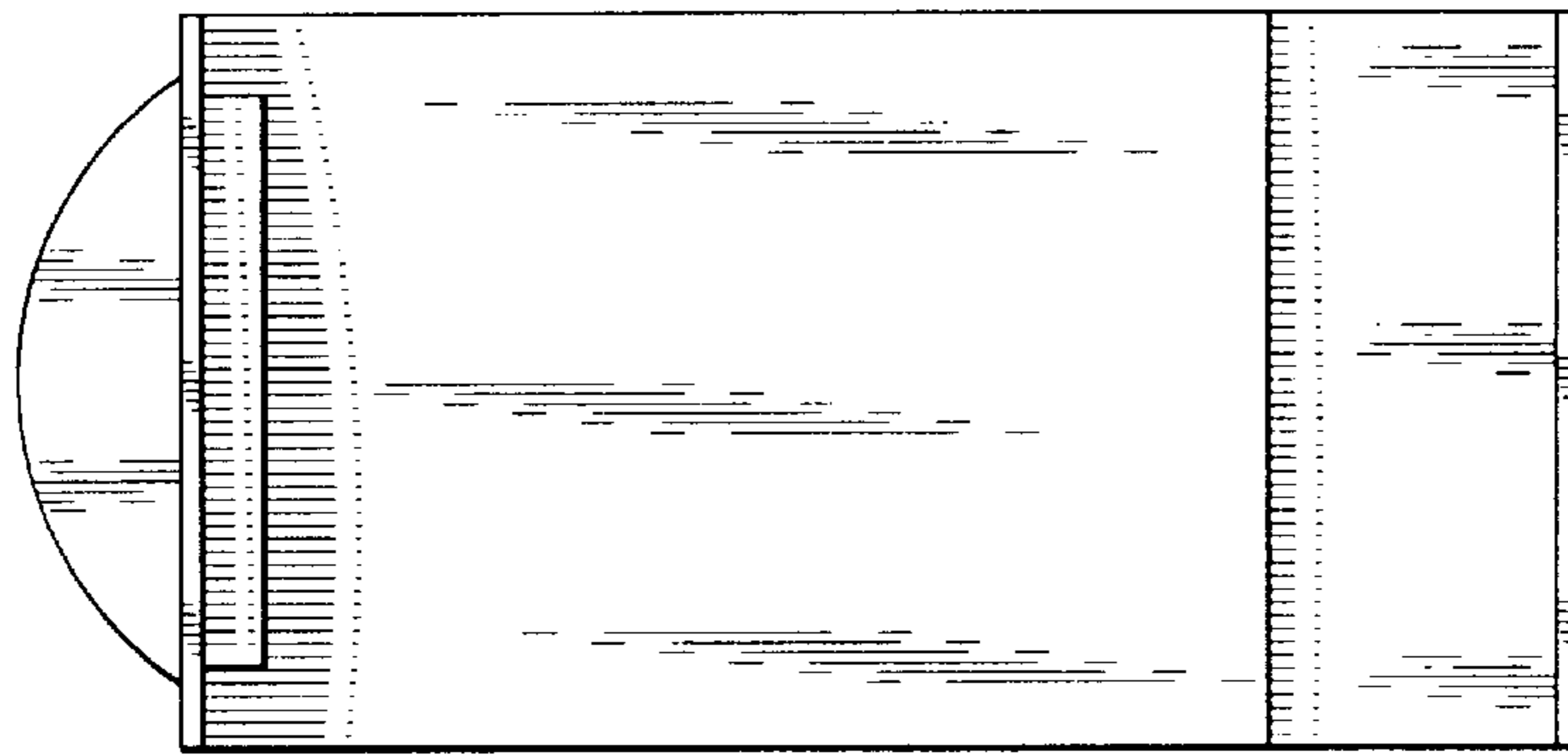
*Fig. 4*



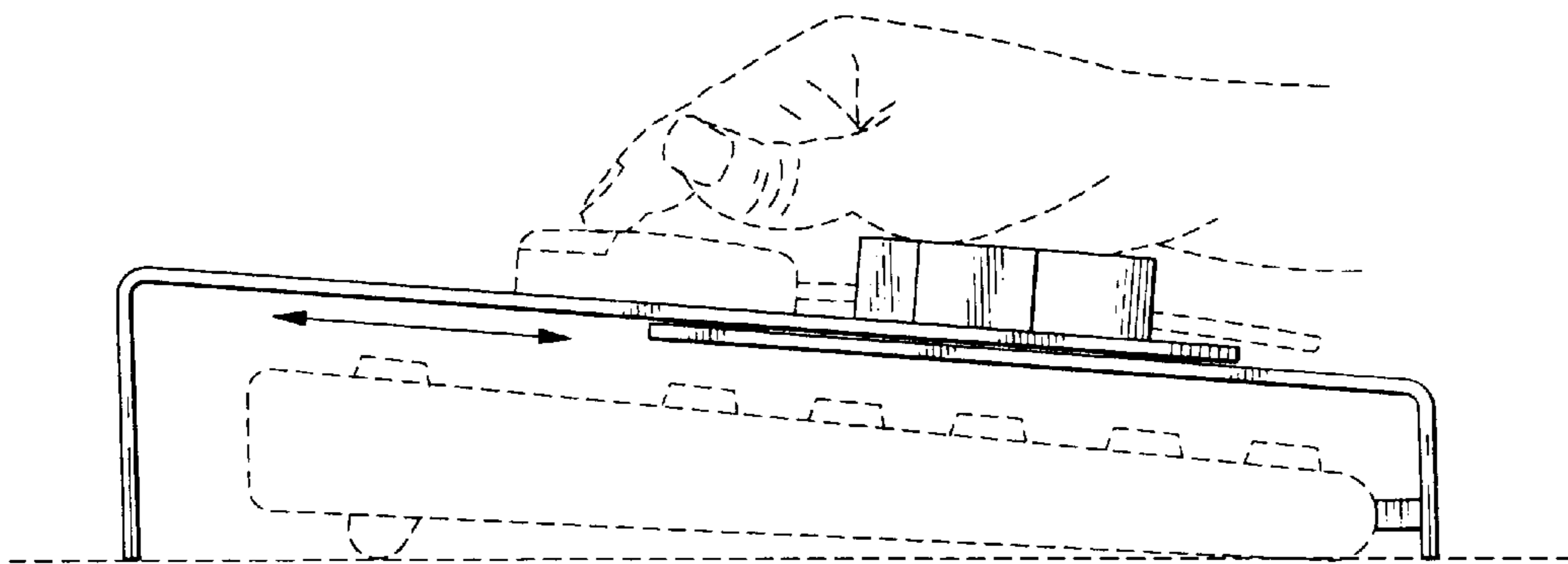
*Fig. 5*



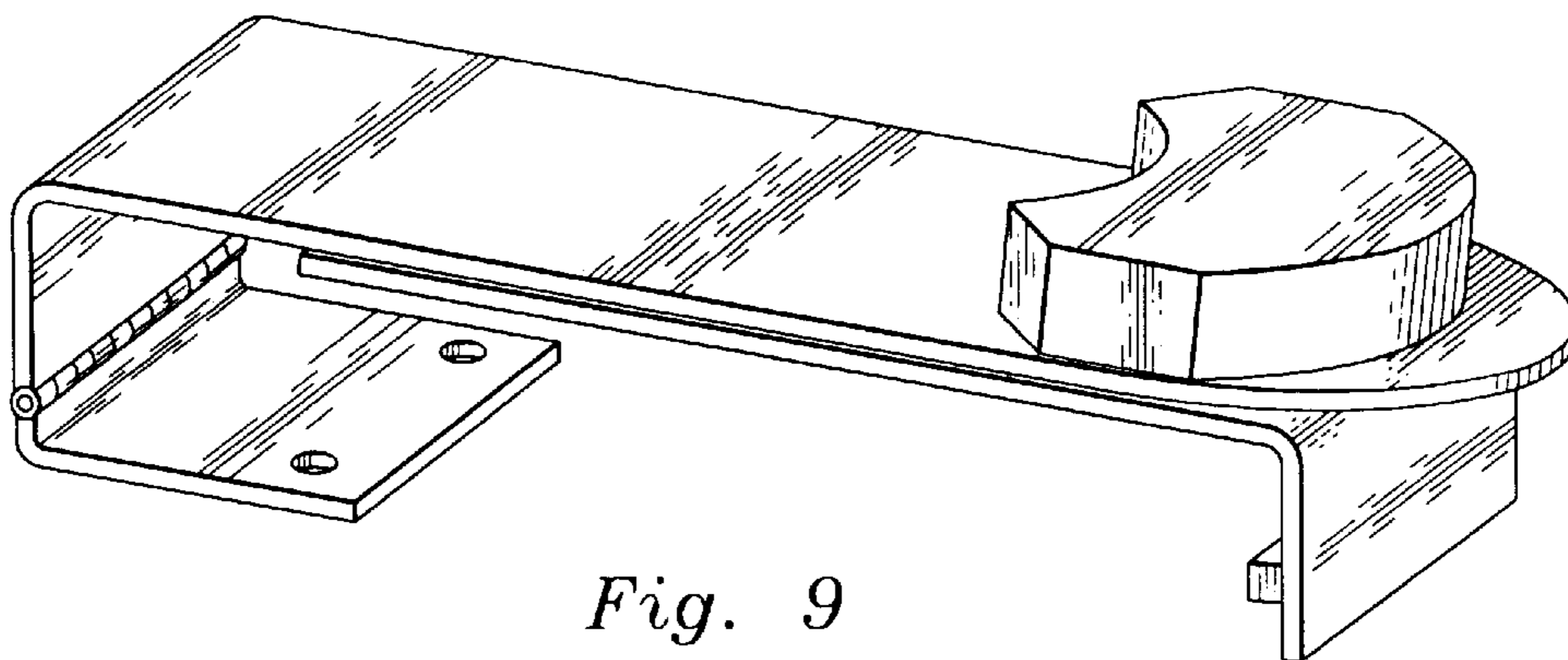
*Fig. 6*



*Fig. 7*



*Fig. 8*



*Fig. 9*

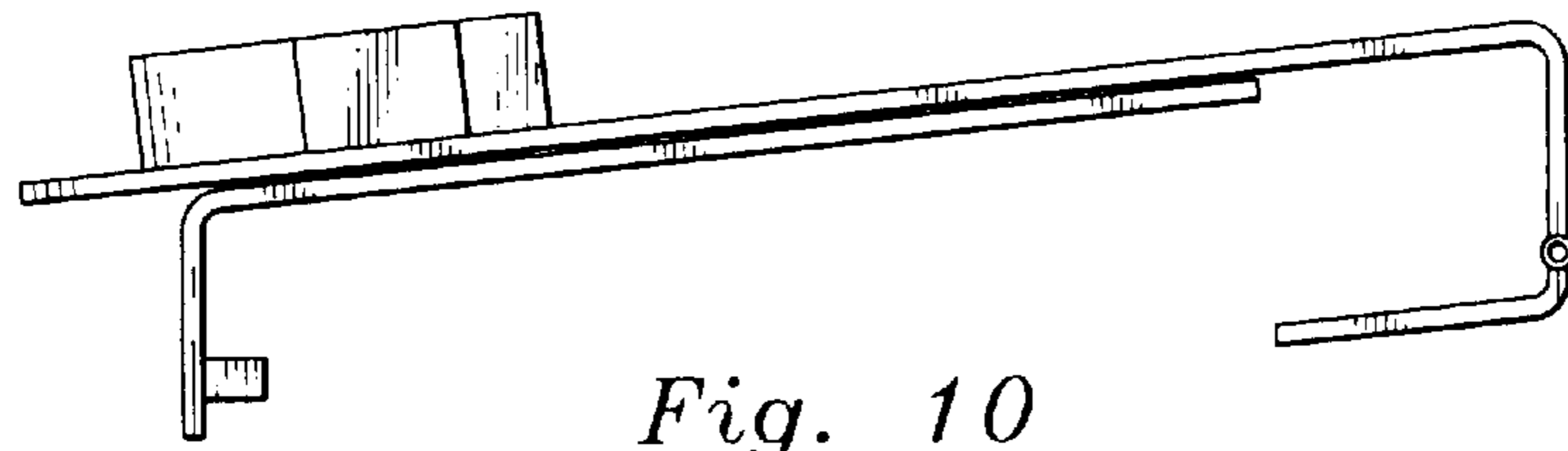


Fig. 10

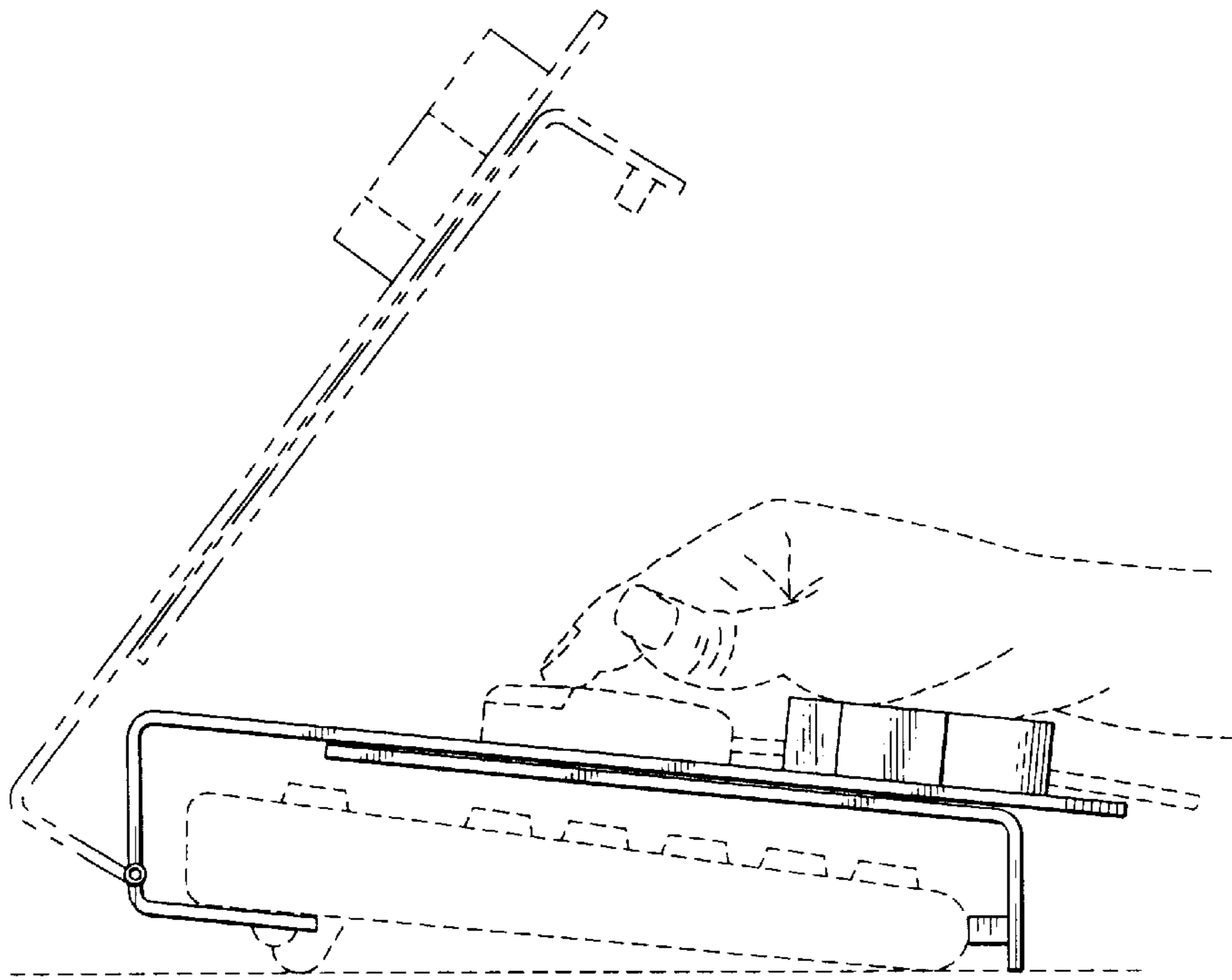


Fig. 11

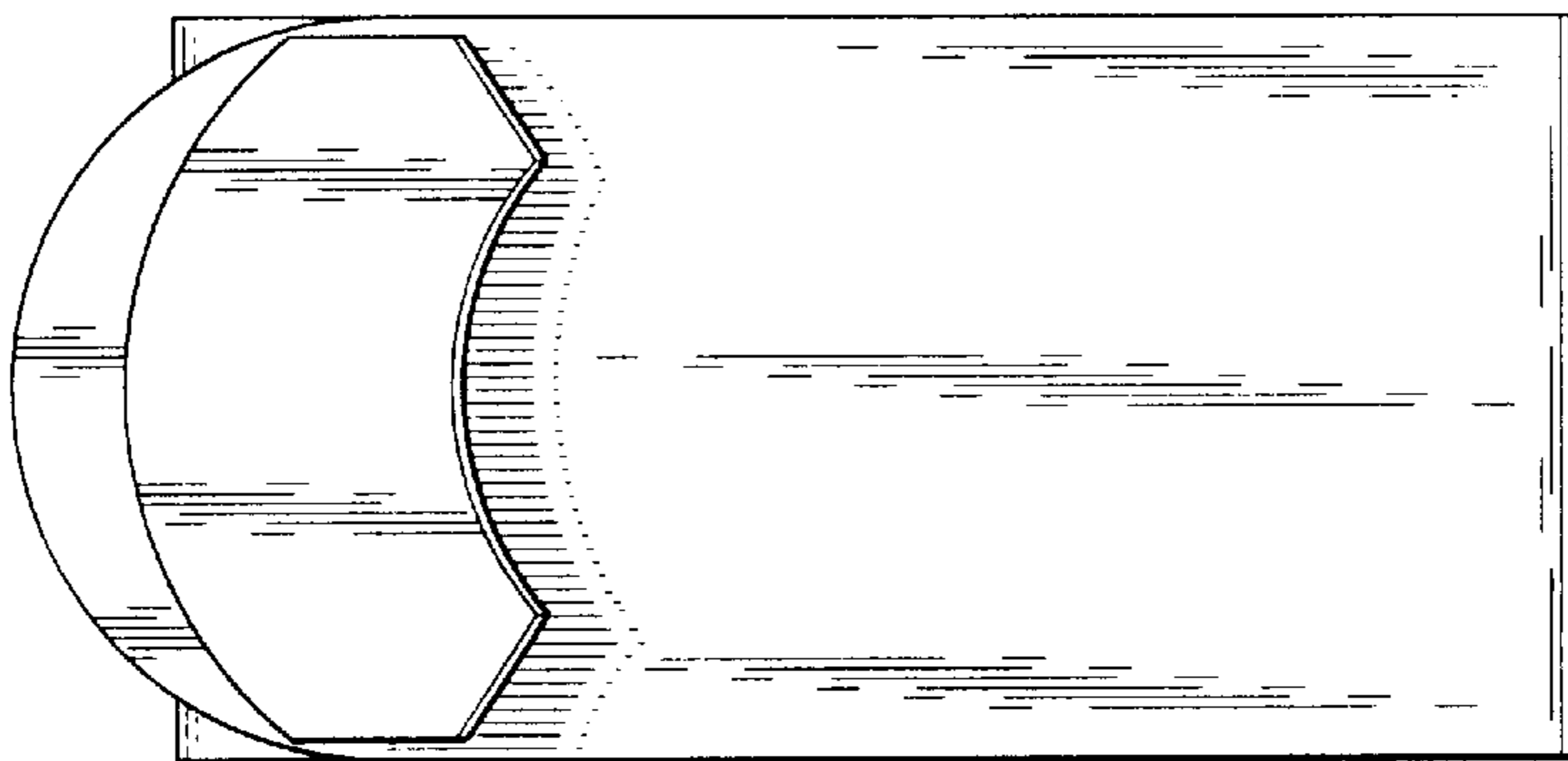
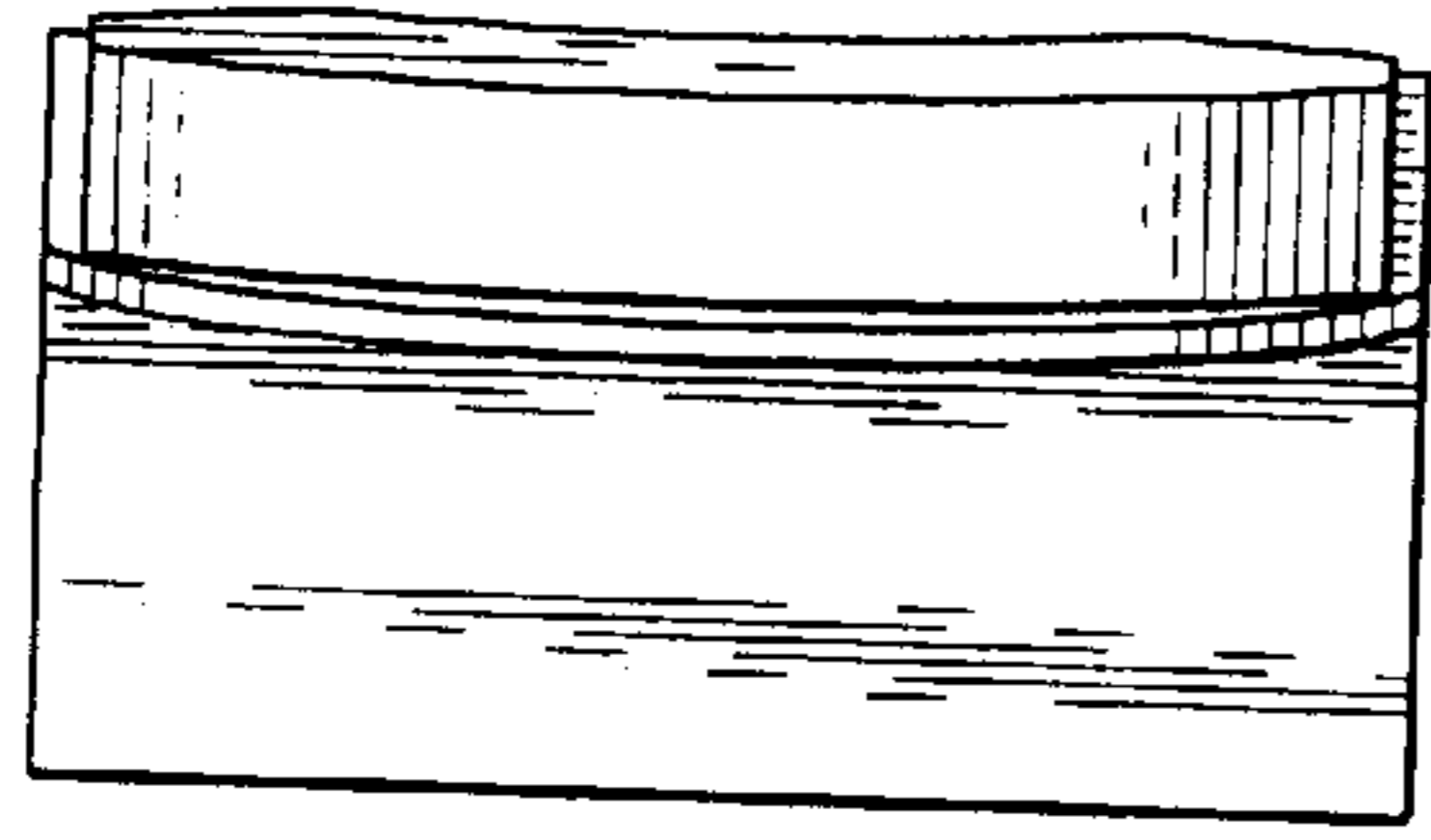
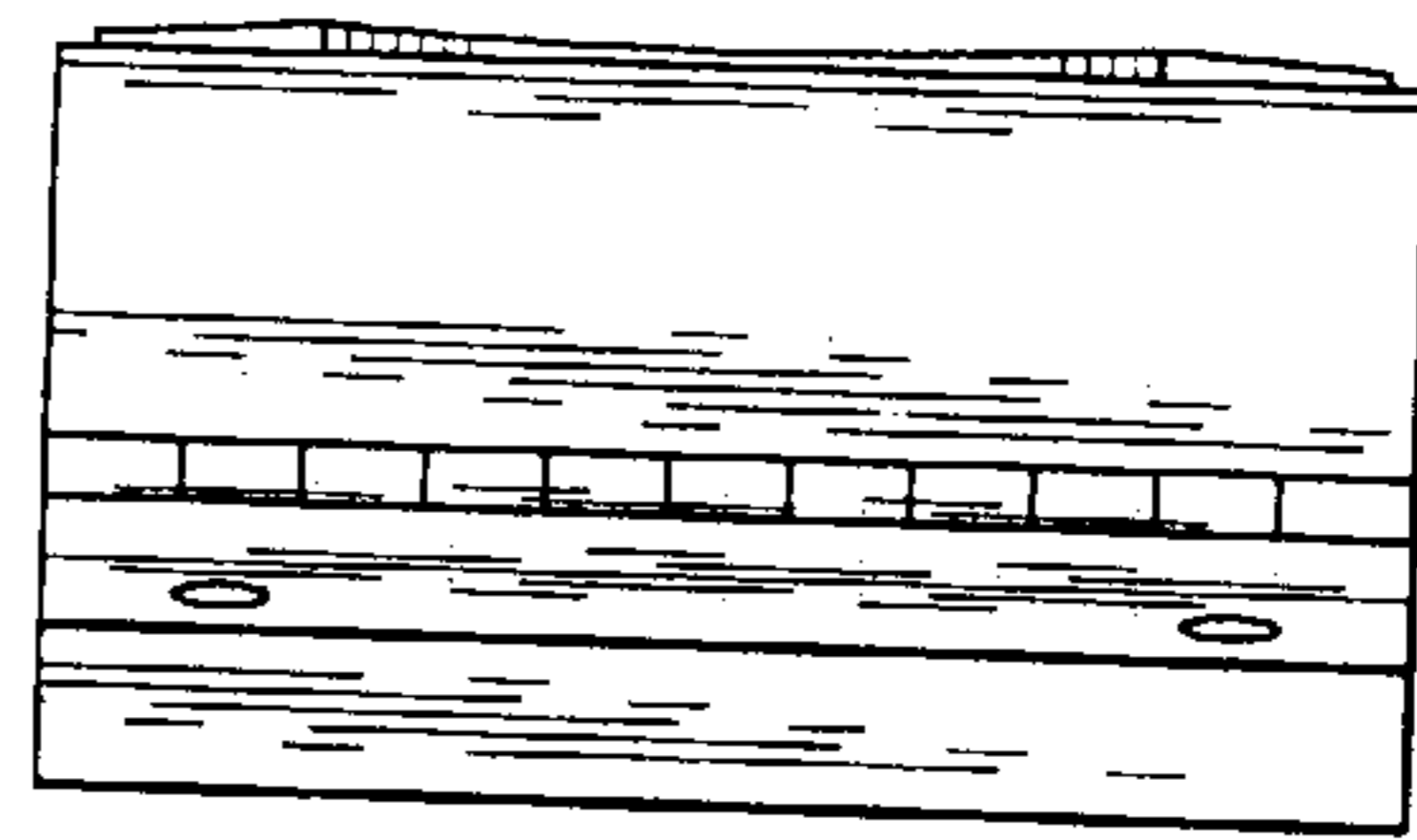


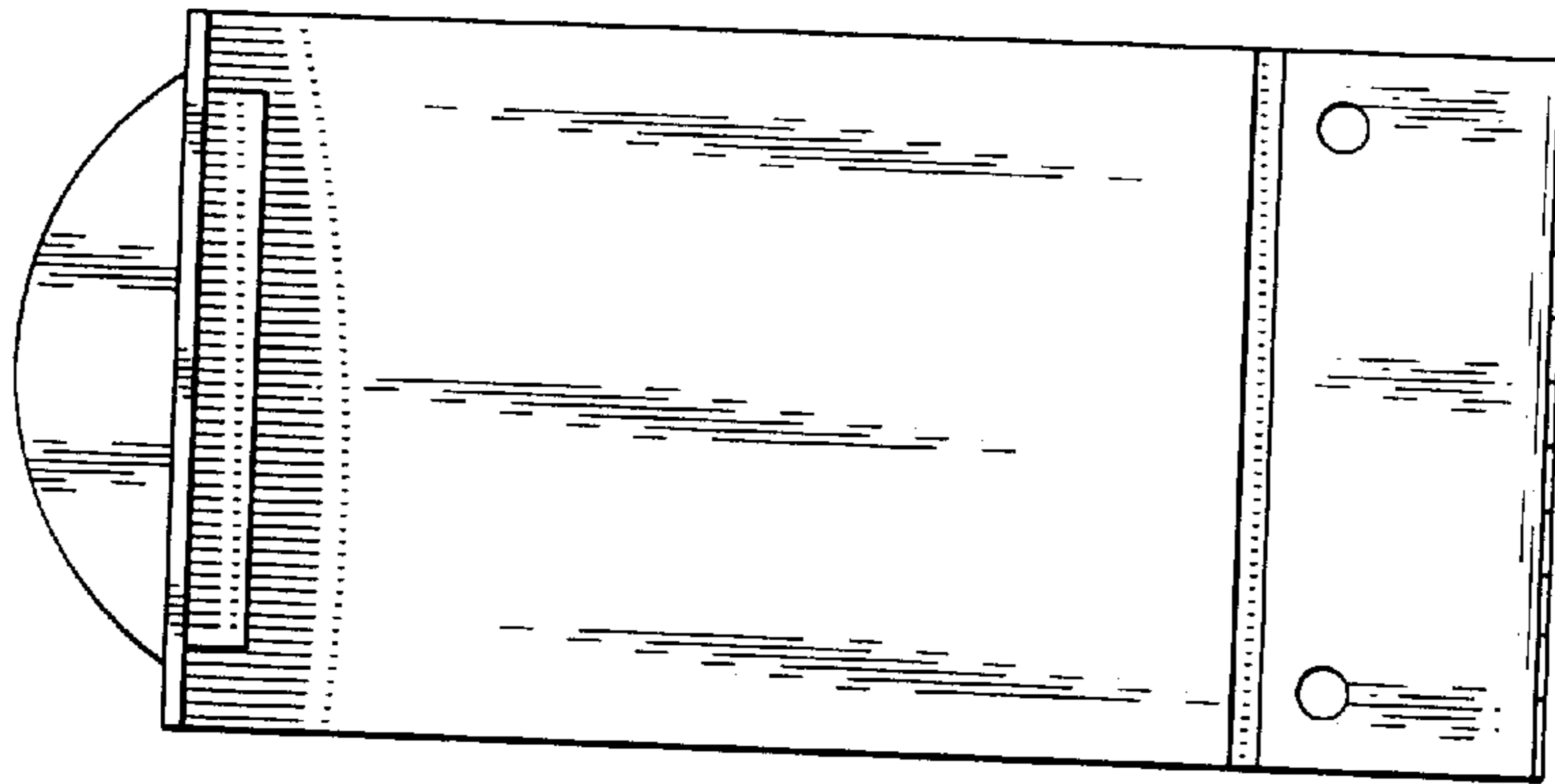
Fig. 12



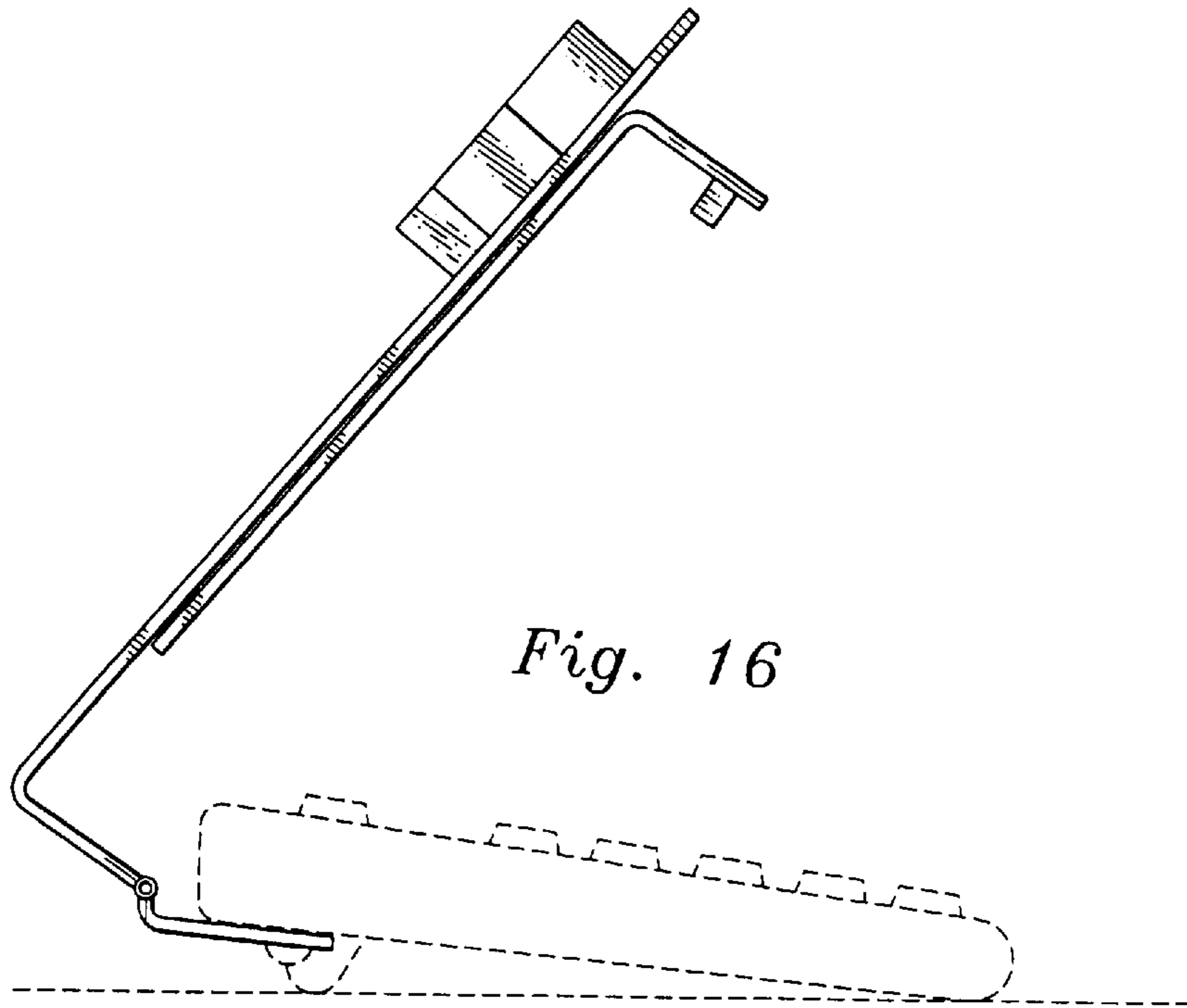
*Fig. 13*



*Fig. 14*



*Fig. 15*



*Fig. 16*