



US00D428392S

United States Patent [19] Mizutani

[11] Patent Number: Des. 428,392

[45] Date of Patent: ** Jul. 18, 2000

[54] HEAT SINK

[75] Inventor: Kazuo Mizutani, Tokyo, Japan

[73] Assignee: Mizutani Electric Industry Corp., Ltd., Tokyo, Japan

[**] Term: 14 Years

[21] Appl. No.: 29/105,615

[22] Filed: May 26, 1999

[30] Foreign Application Priority Data

Dec. 3, 1998 [JP] Japan 10-35003

[51] LOC (7) Cl. 13-03

[52] U.S. Cl. D13/179

[58] Field of Search D13/179; 174/163; 361/704, 709; 257/718, 719

[56] References Cited

U.S. PATENT DOCUMENTS

D. 208,547	9/1967	Van Houten	D13/179
D. 218,748	9/1970	Ritzow et al.	D13/179
D. 315,832	4/1991	Rocheleau et al.	D13/179
D. 387,333	12/1997	Pellow et al.	D13/179

Primary Examiner—Brian N. Vinson
Attorney, Agent, or Firm—Liniak, Berenato, Longacre & White

[57] CLAIM

The ornamental design for a heat sink, as shown and described.

DESCRIPTION

FIG. 1 is a top and left side perspective view of a heat sink showing my new design.

FIG. 2 is a bottom and left side perspective view of the heat sink shown in FIG. 1.

FIG. 3 is a front elevational view of the light shown in FIG. 1.

FIG. 4 is a rear elevational view of the light shown in FIG. 1.

FIG. 5 is a top plan view of the light shown in FIG. 1.

FIG. 6 is a bottom plan view of the light shown in FIG. 1.

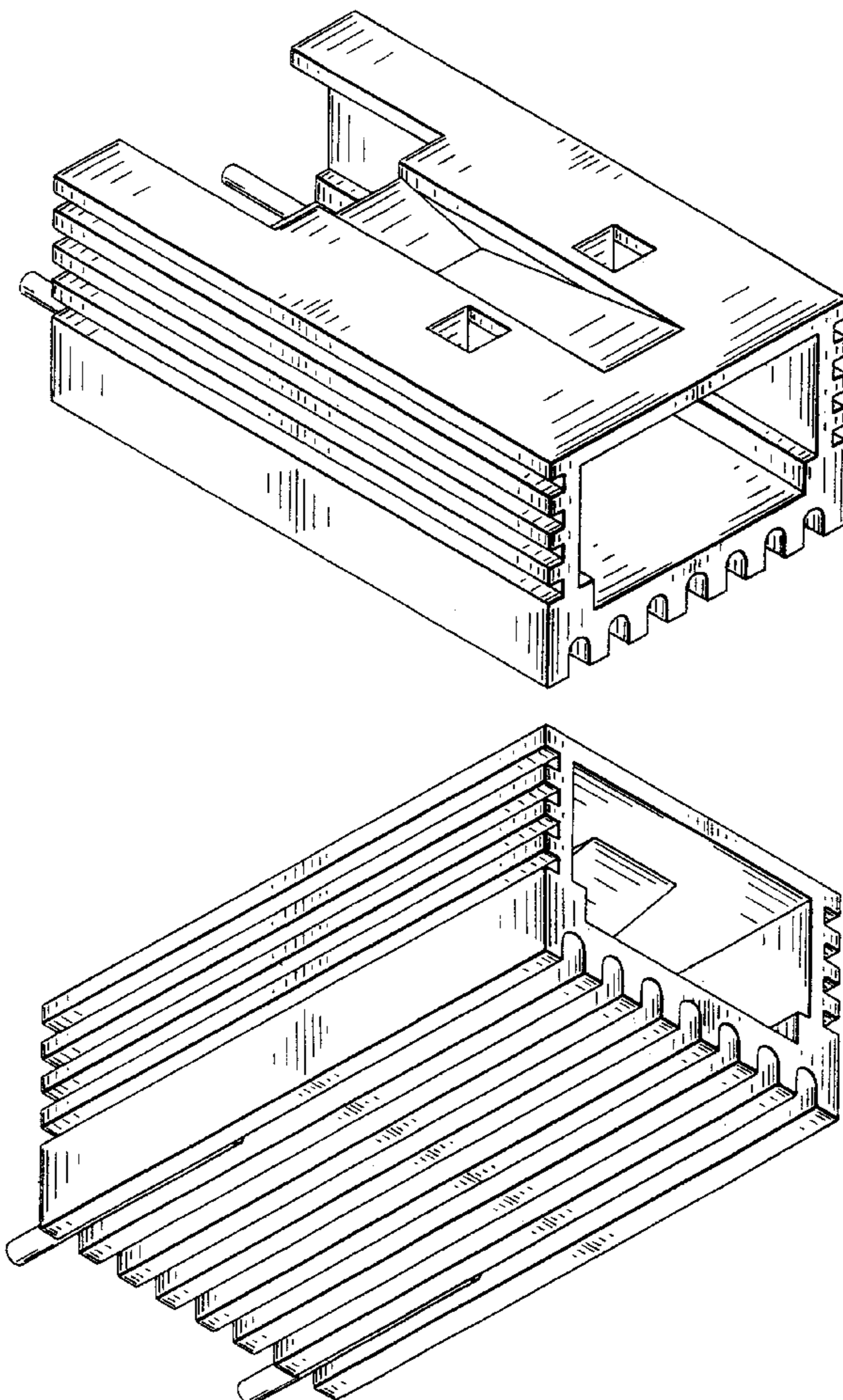
FIG. 7 is a left side elevational view of the light shown in FIG. 1.

FIG. 8 is a sectional view taken along line A-A' of FIG. 3.

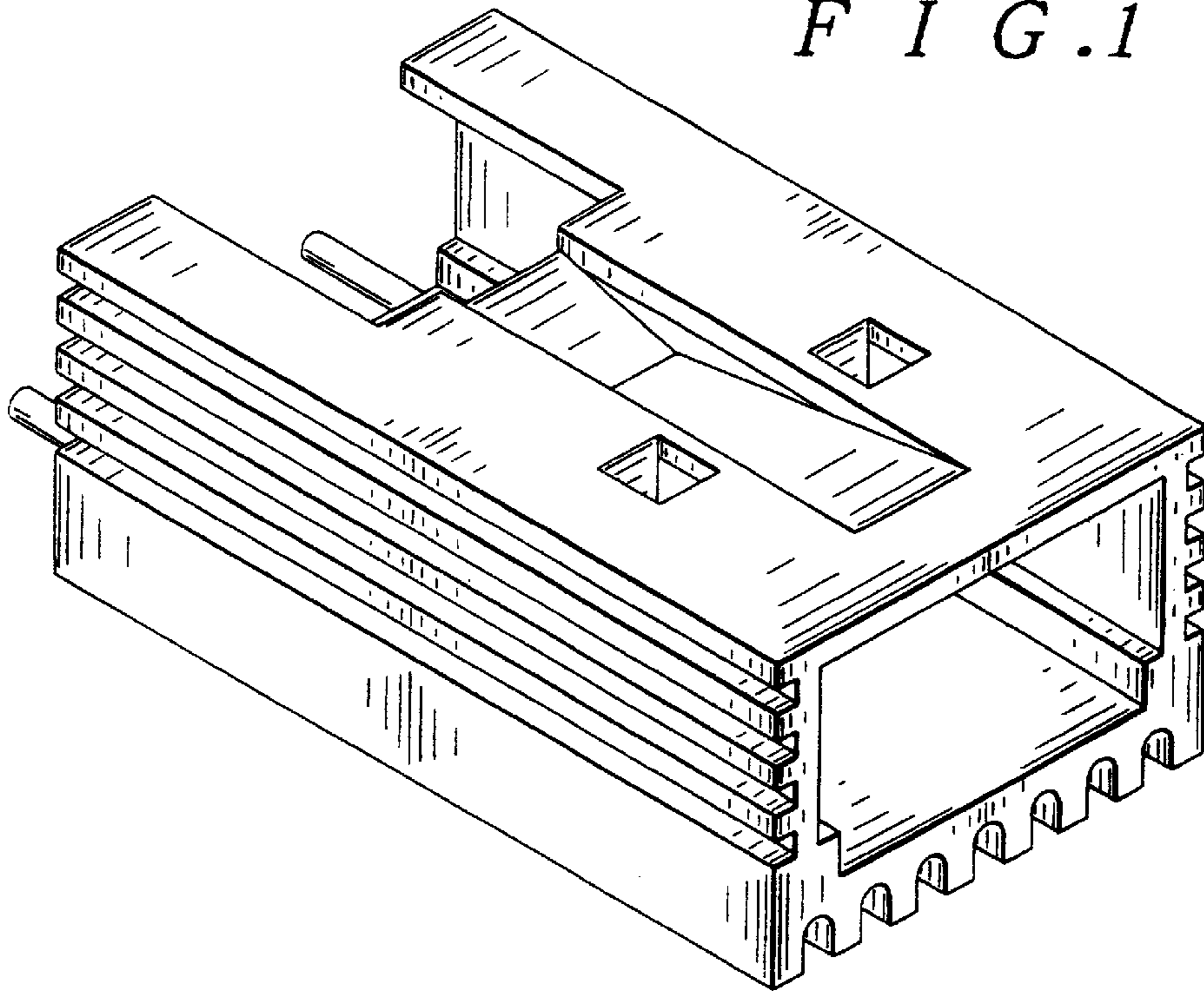
FIG. 9 is a sectional view taken along line B-B' of FIG. 3; and,

FIG. 10 is a sectional view taken along line C-C' of FIG. 3.

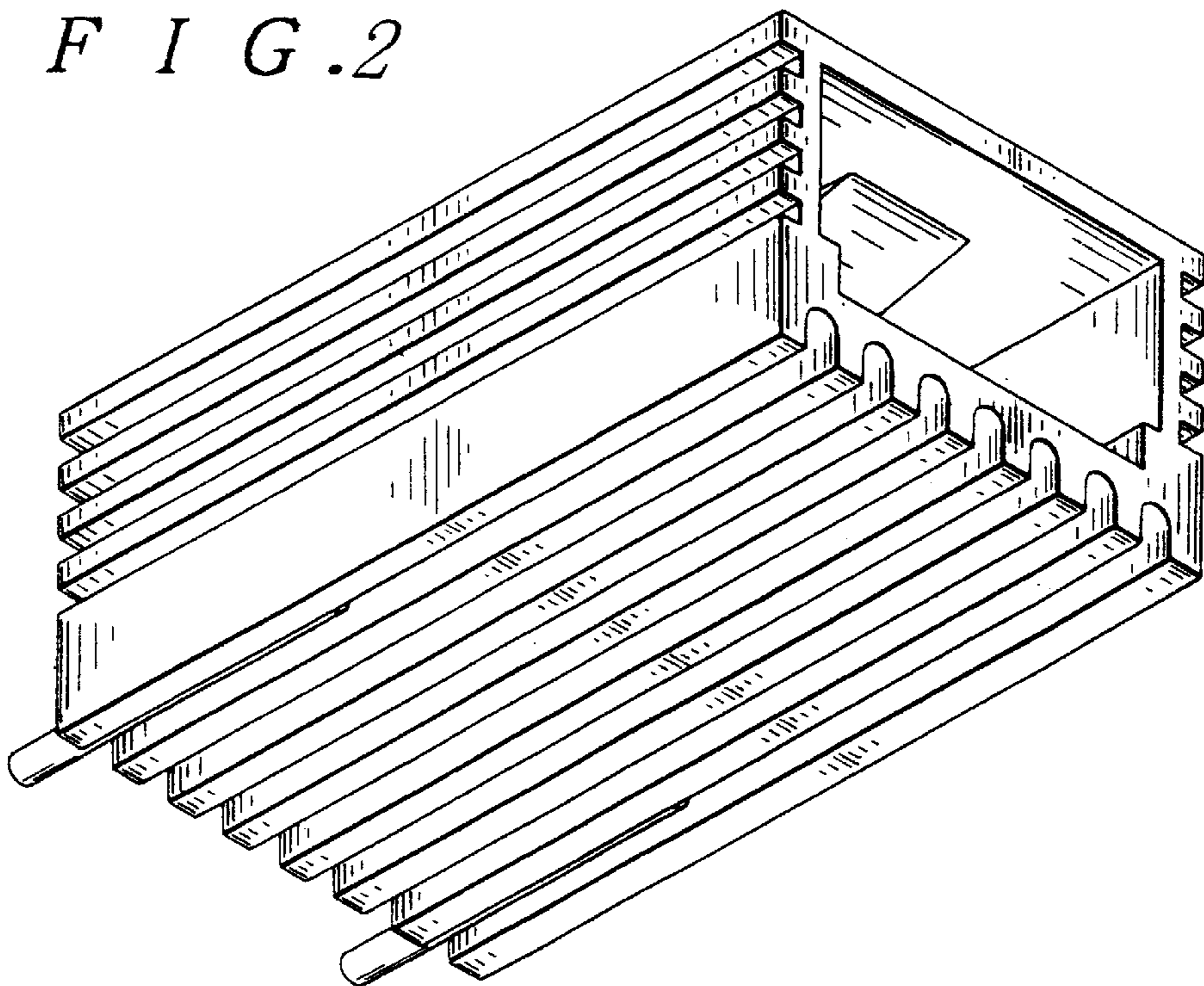
1 Claim, 5 Drawing Sheets



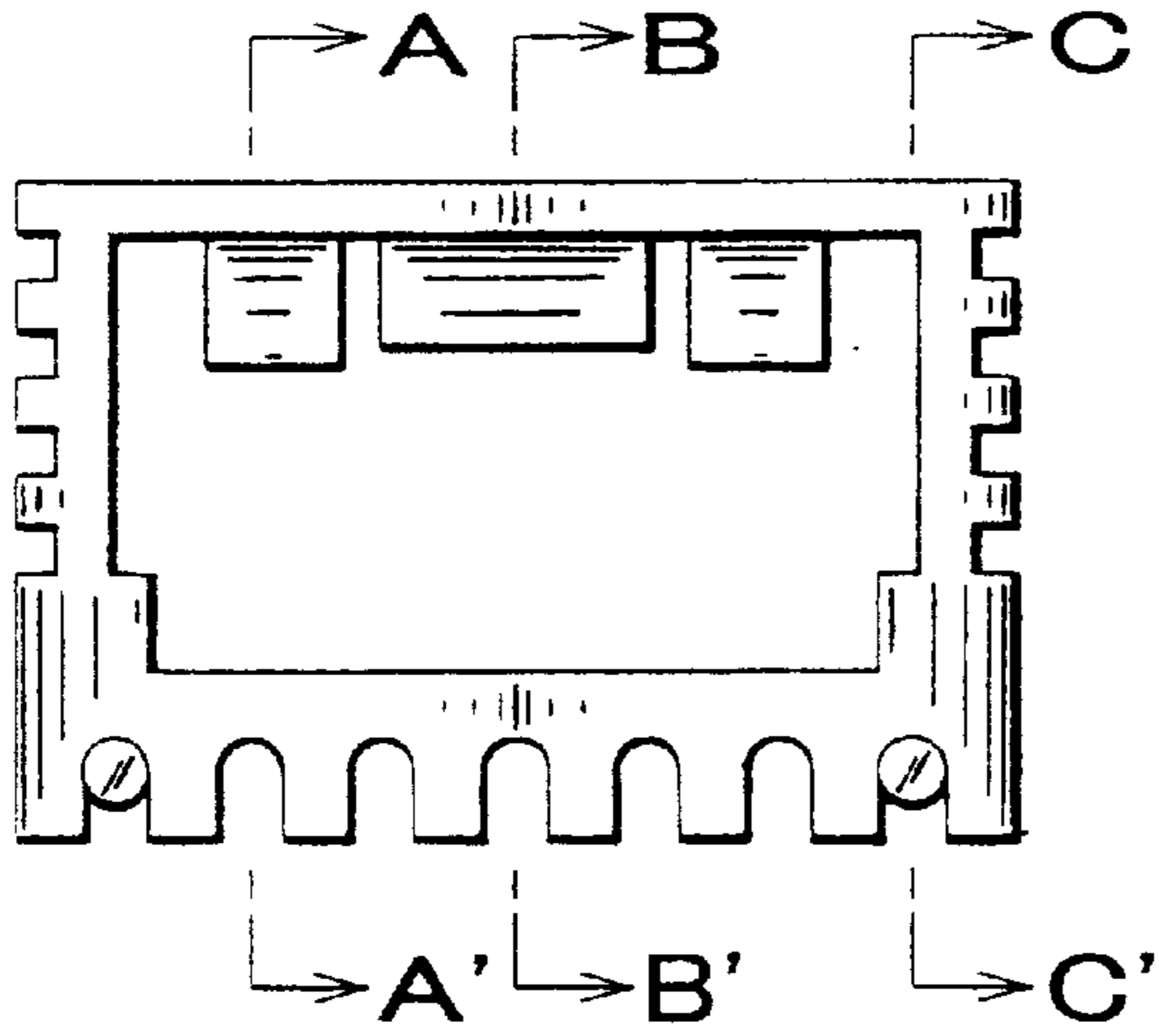
F I G . 1



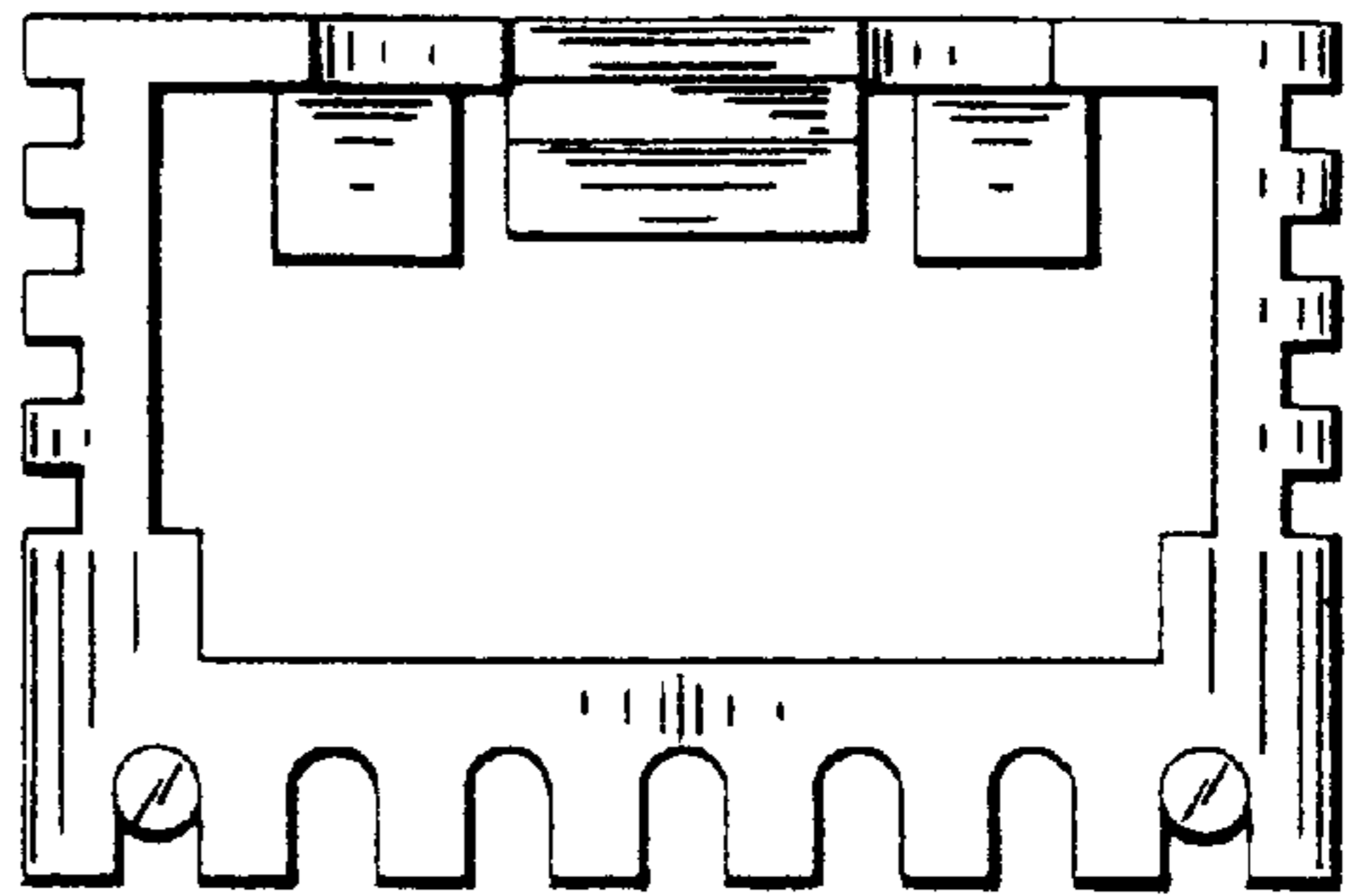
F I G . 2



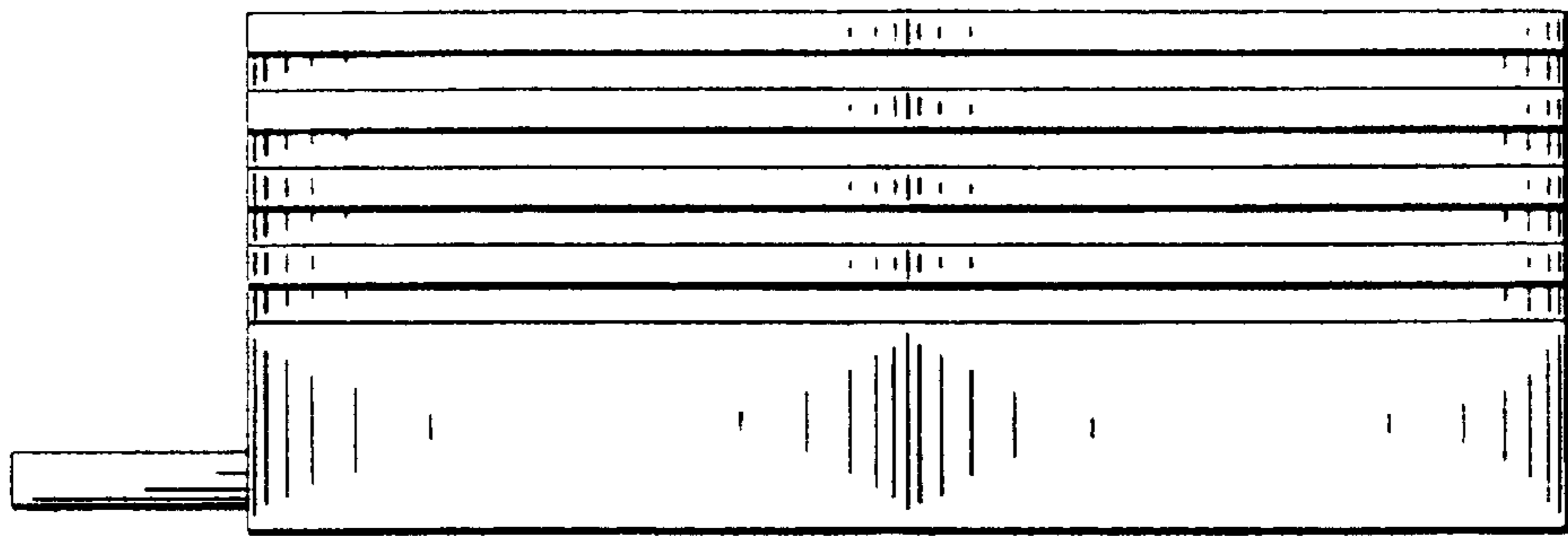
F I G . 3



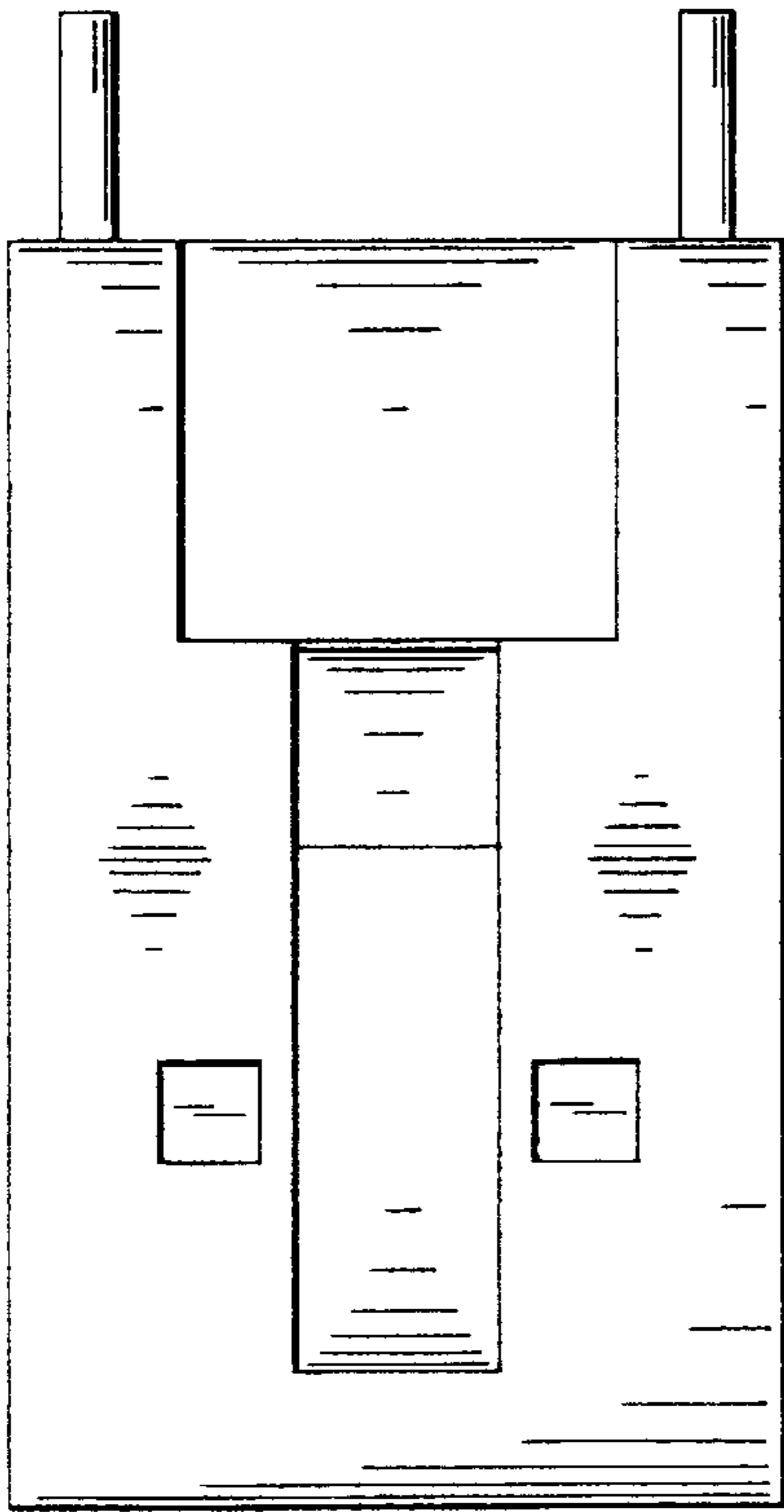
F I G . 4



F I G . 7



F I G . 5



F I G . 6

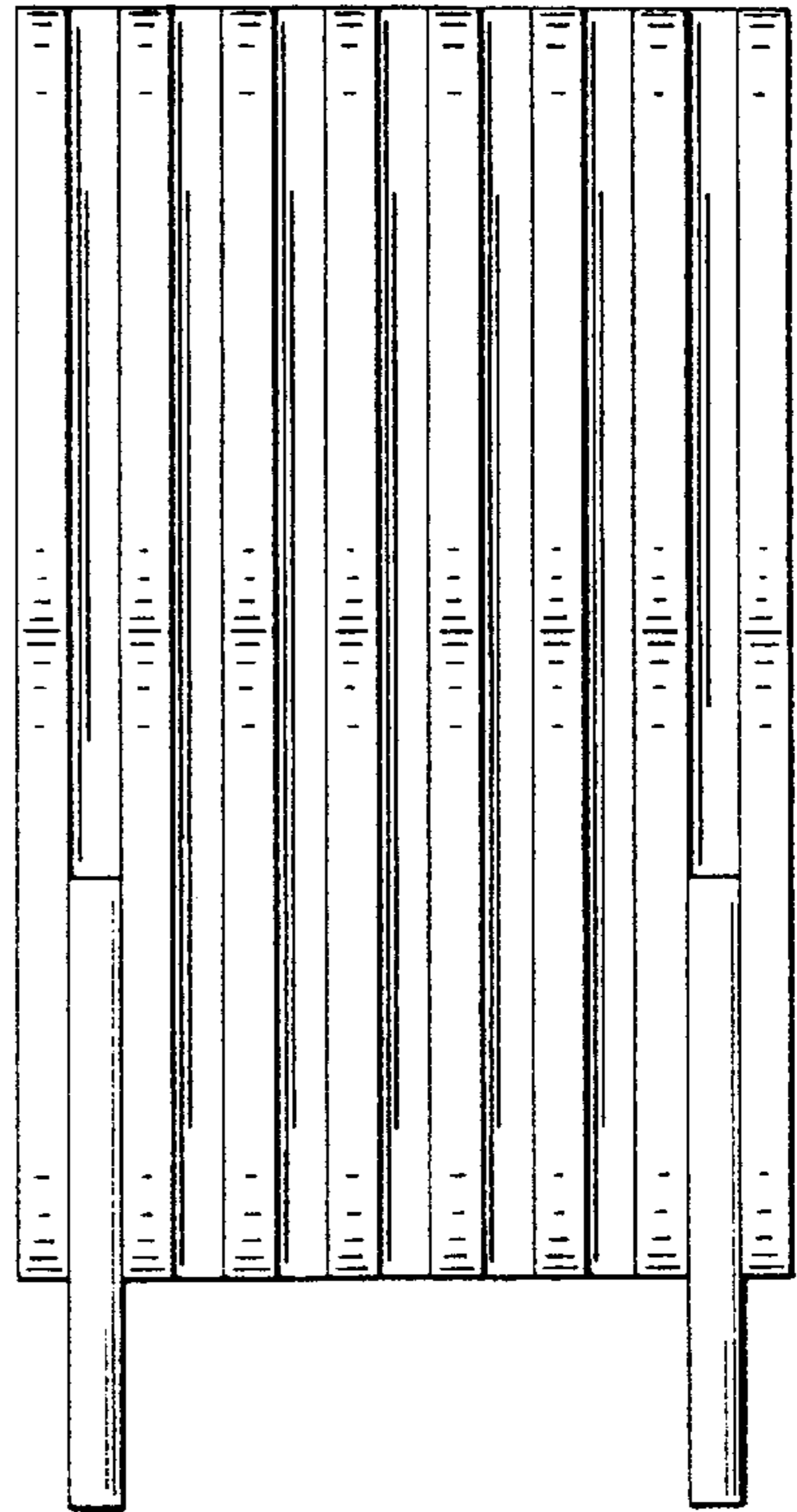


FIG. 8

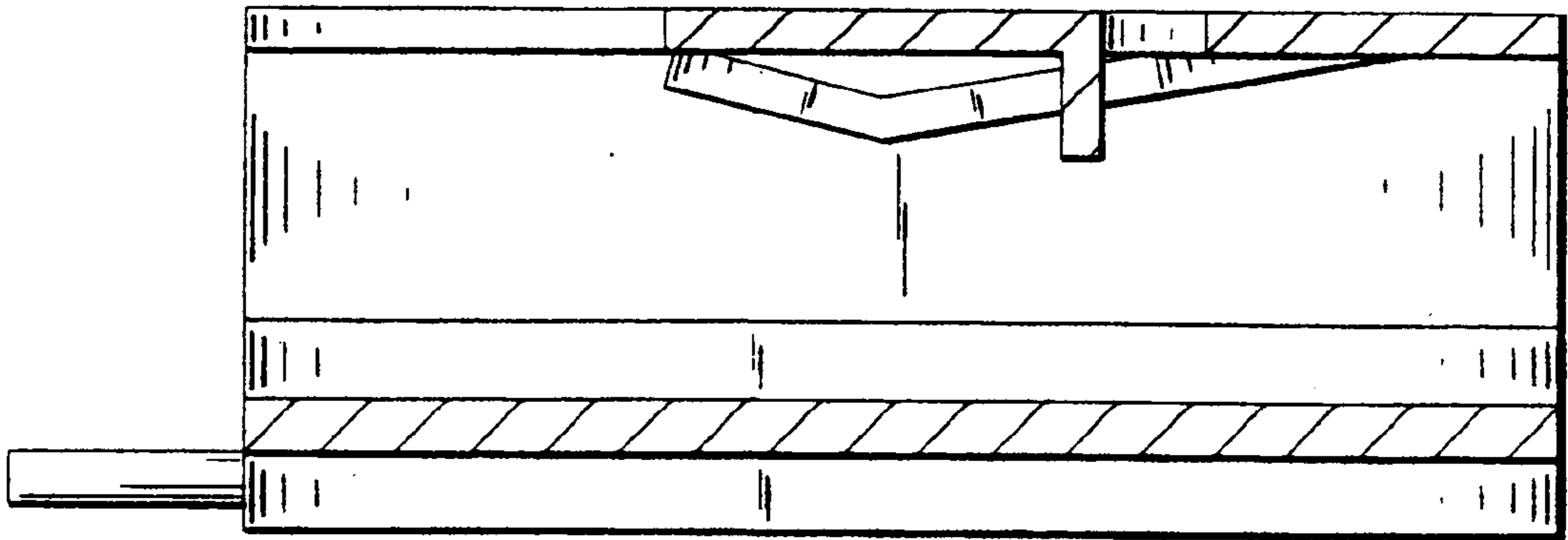
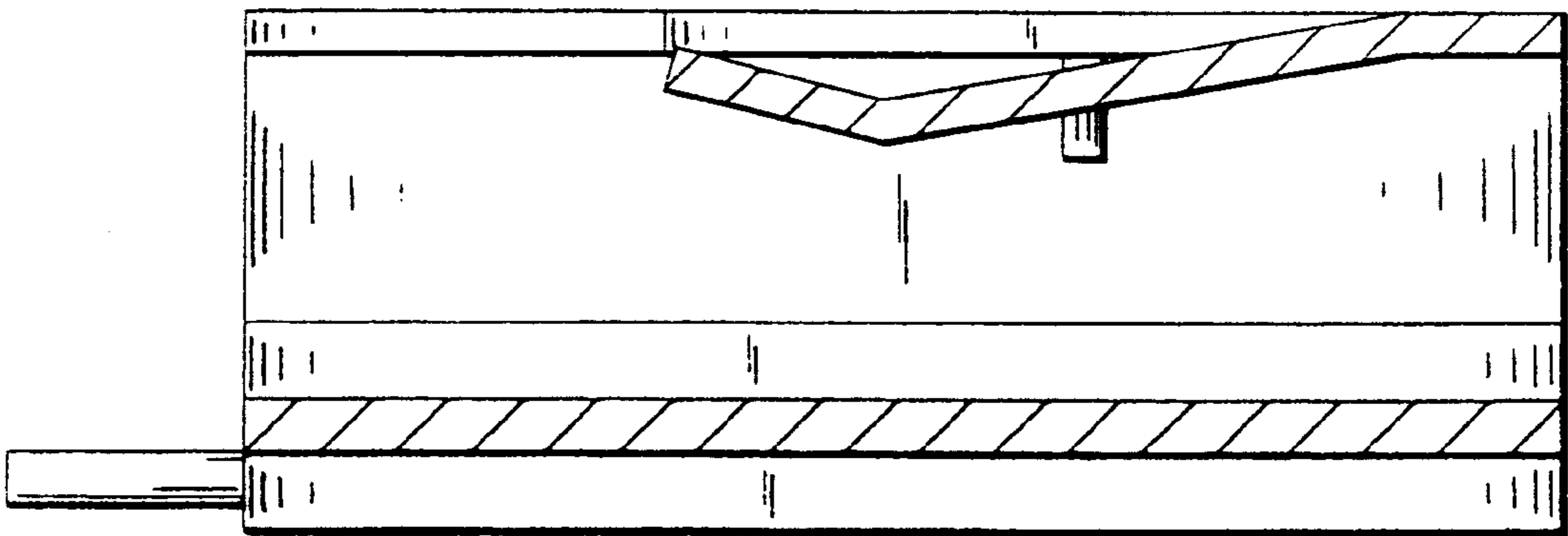


FIG. 9



F I G . 1 0

