



US00D428391S

**United States Patent** [19]  
**Pazhman**

[11] **Patent Number: Des. 428,391**

[45] **Date of Patent: \*\* Jul. 18, 2000**

[54] **REMOTE LIGHT DIMMER WITH LIGHT SOCKET**

[76] Inventor: **Matt Pazhman**, 38545 Birch St., Newark, Calif. 94560

[\*\*] Term: **14 Years**

[21] Appl. No.: **29/106,532**

[22] Filed: **Jun. 17, 1999**

[51] **LOC (7) Cl.** ..... **14-03**

[52] **U.S. Cl.** ..... **D13/168**

[58] **Field of Search** ..... D13/158, 168, D13/134; 340/825.69, 825.72; 361/622; 439/168, 306, 577

[56] **References Cited**

**U.S. PATENT DOCUMENTS**

- D. 310,065 8/1990 Cheng ..... D13/134 X
- D. 320,380 10/1991 Schwartz ..... D13/134
- D. 354,730 1/1995 Collins ..... D13/134 X
- D. 393,832 4/1998 Chen ..... D13/68

D. 401,565 11/1998 Smith et al. .... D13/168

*Primary Examiner*—Brian N. Vinson

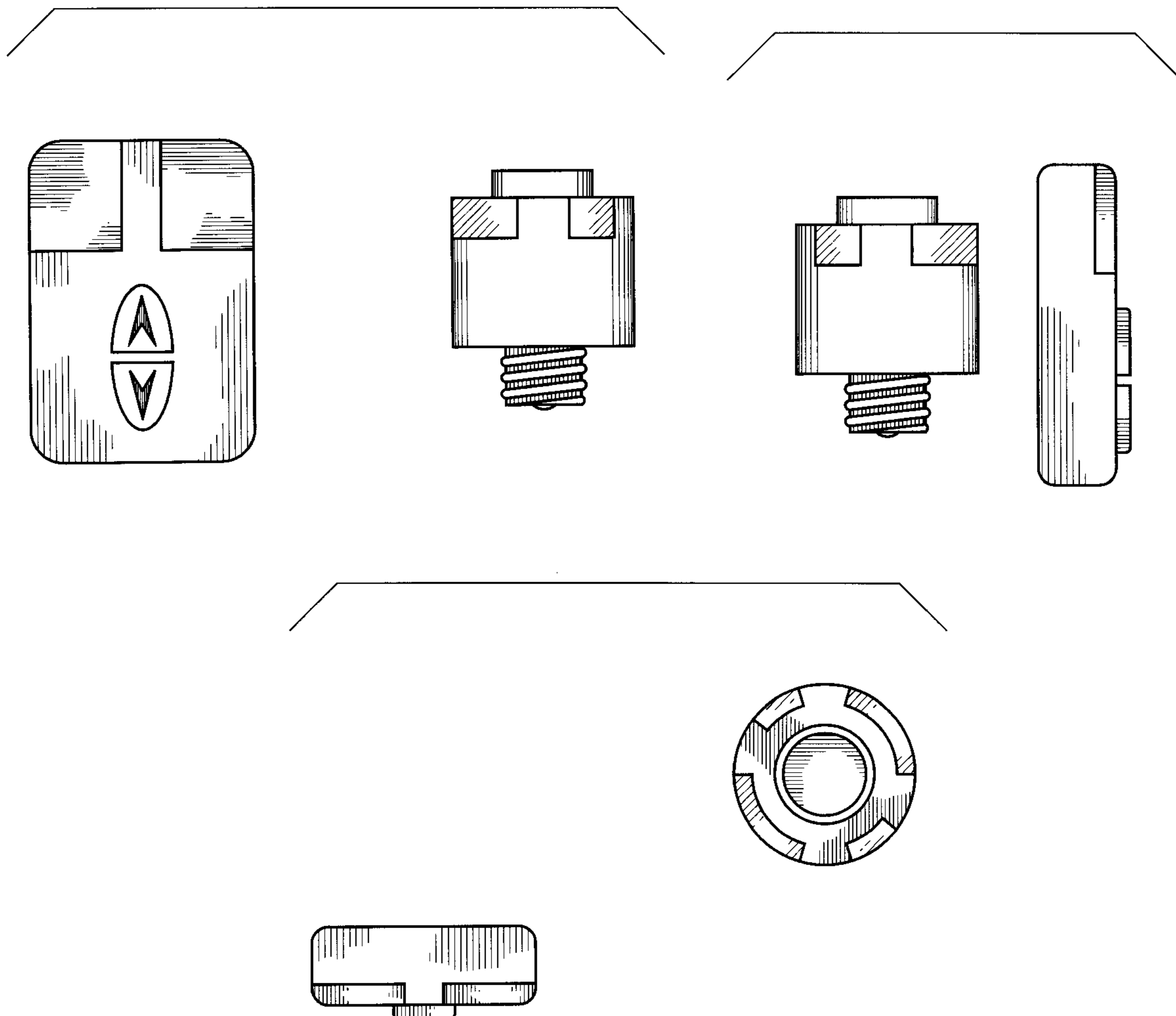
[57] **CLAIM**

The ornamental design for a remote light dimmer with light socket, as shown and described.

**DESCRIPTION**

FIG. 1 is a front elevational view of the remote light dimmer with light socket of the present invention;  
 FIG. 2 is a rear elevational view of the remote light dimmer with light socket of FIG. 1;  
 FIG. 3 is a left side elevational view of the remote light dimmer with light socket of FIG. 1;  
 FIG. 4 is a right side elevational view of the remote light dimmer with light socket of FIG. 1;  
 FIG. 5 is a top plan view of the remote light dimmer with light socket of FIG. 1; and,  
 FIG. 6 is a bottom plan view of the remote light dimmer with light socket of FIG. 1.

**1 Claim, 3 Drawing Sheets**



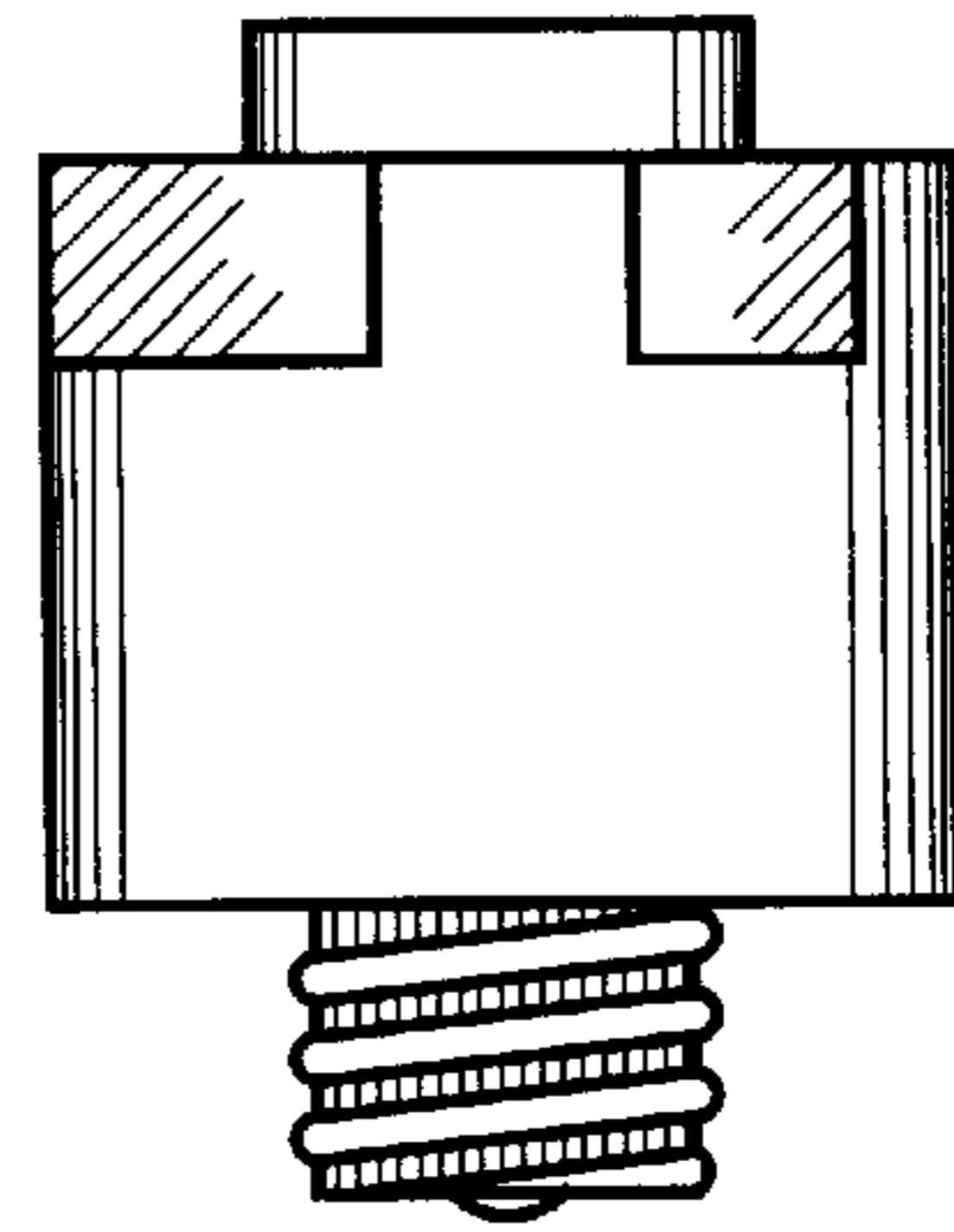
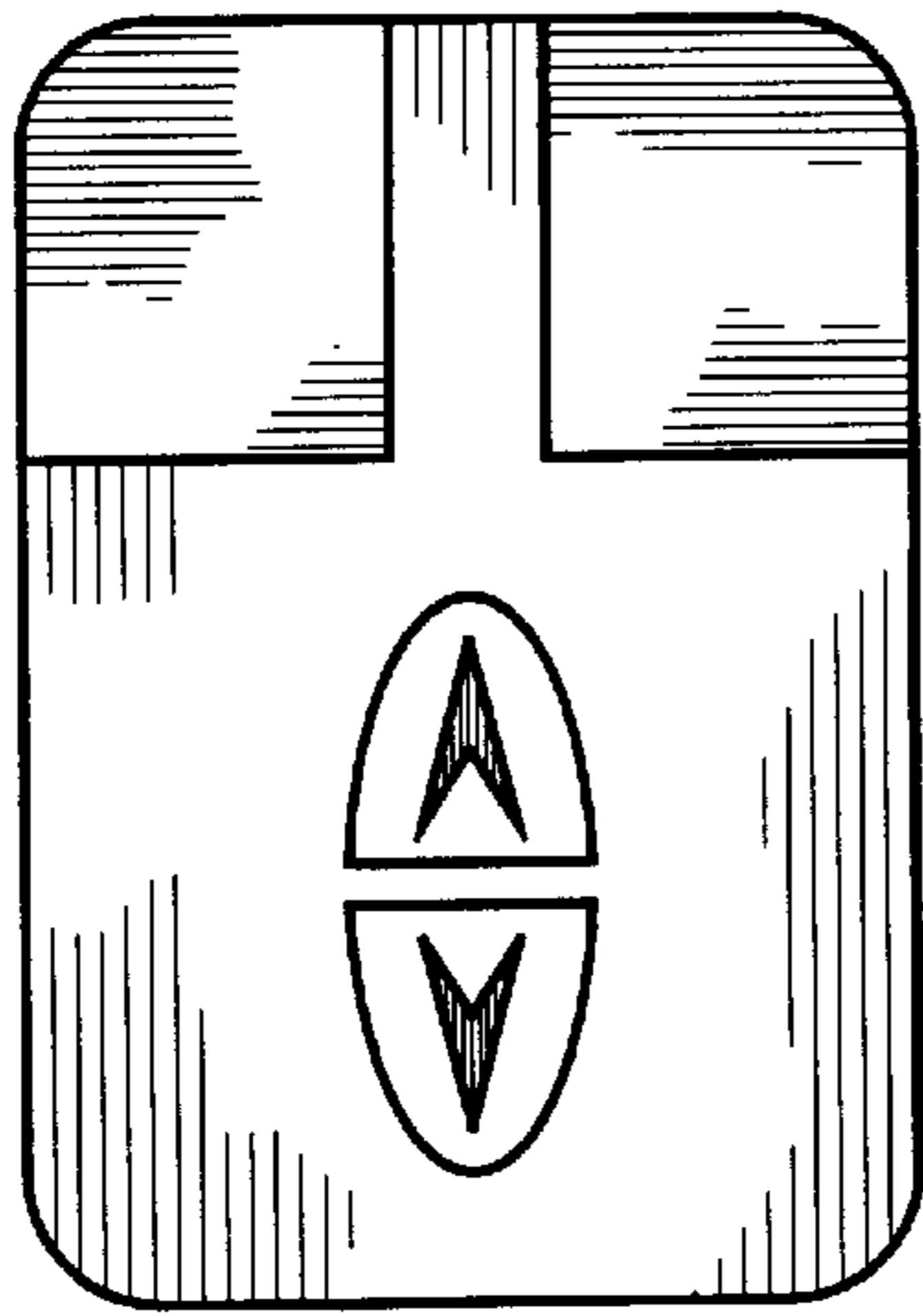


FIG. 1

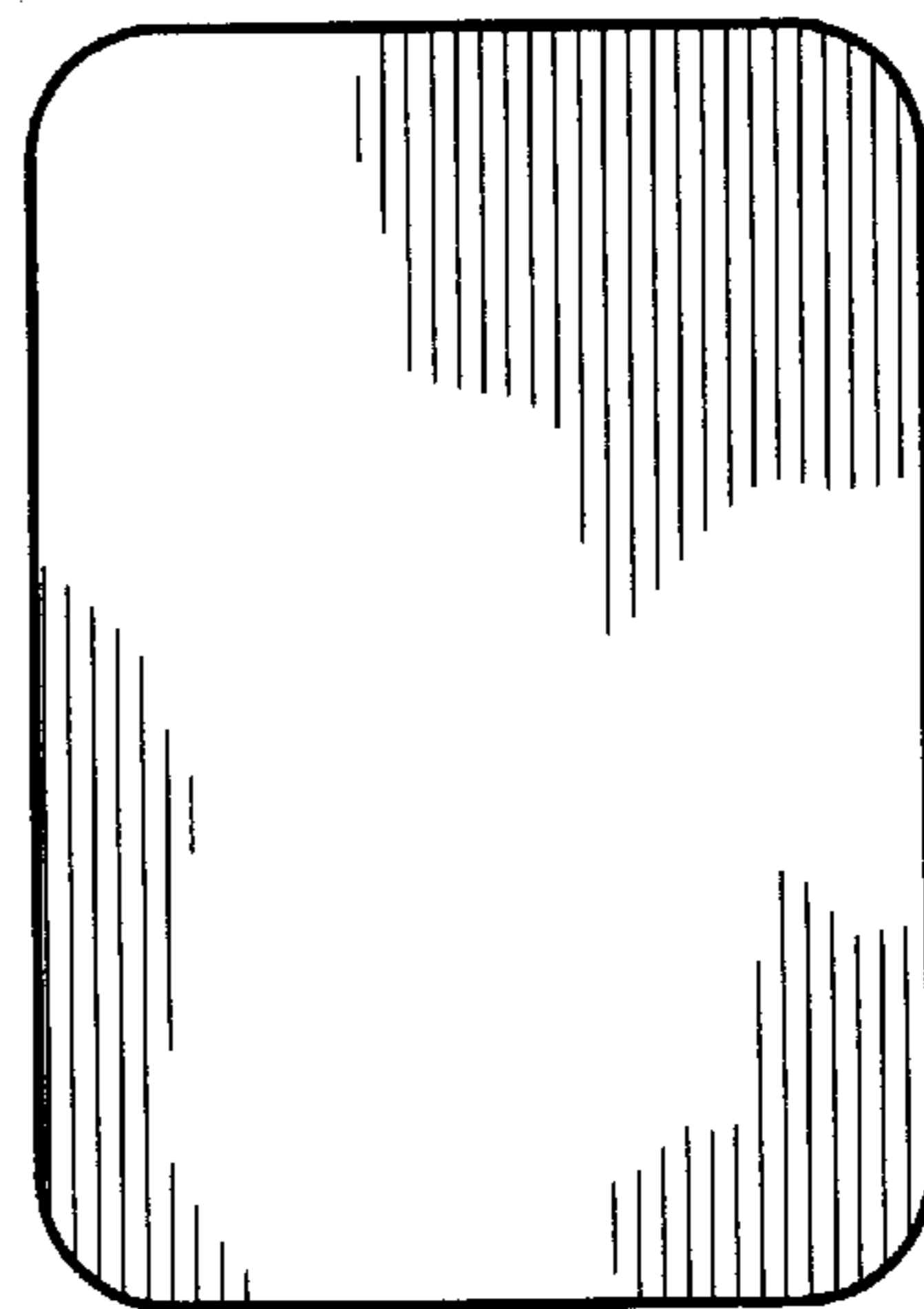
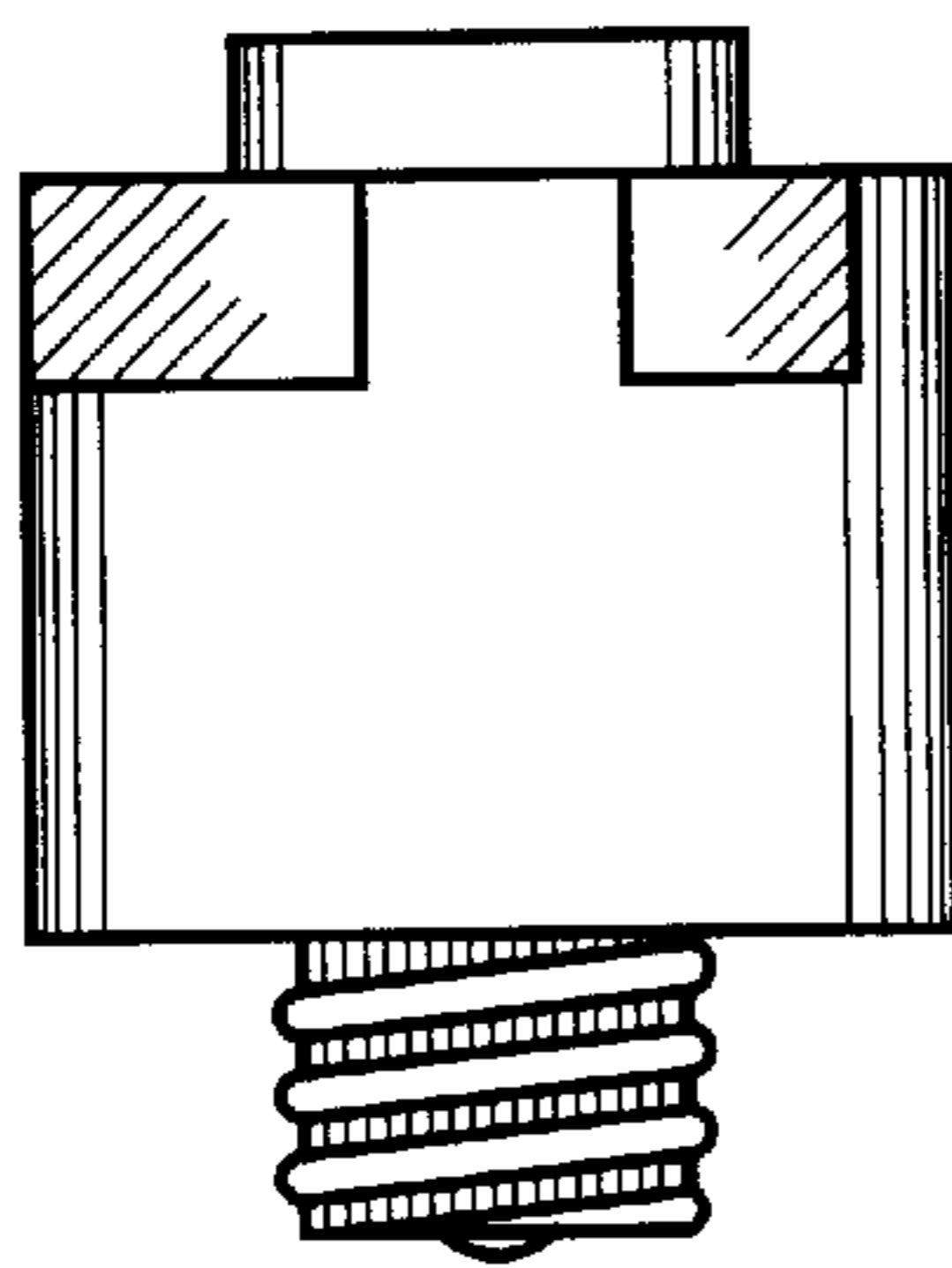


FIG. 2

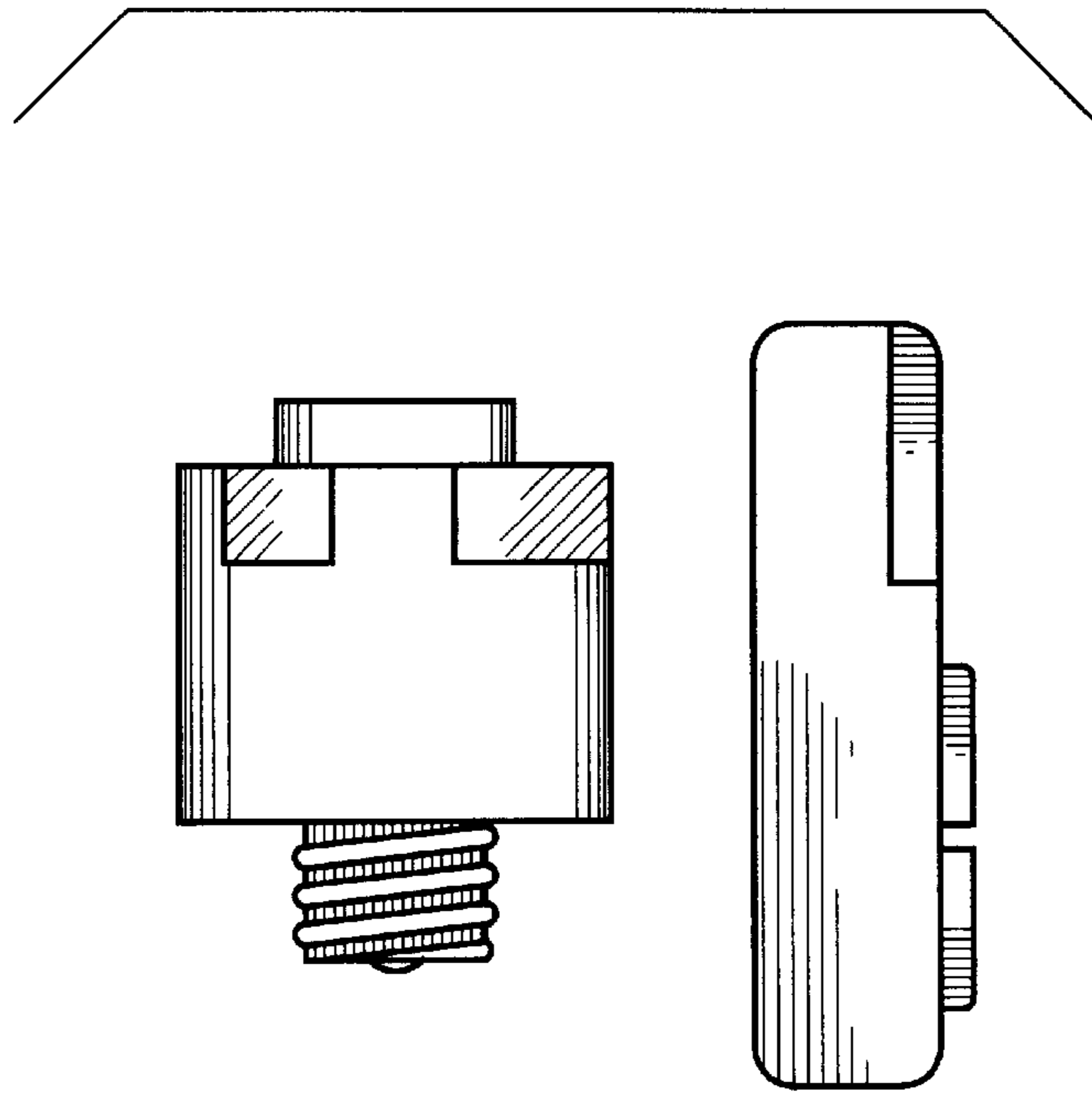


FIG. 3

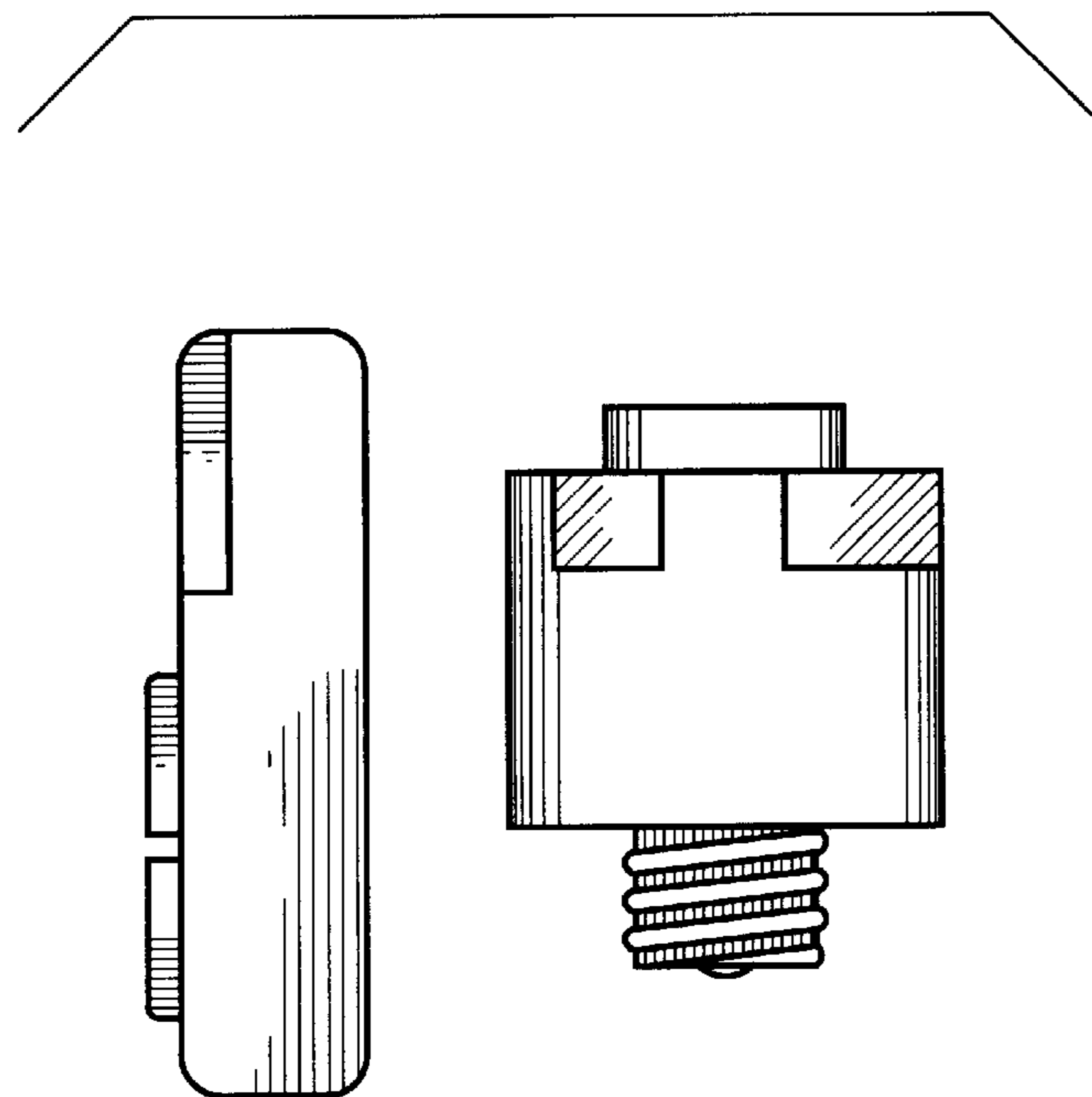


FIG. 4

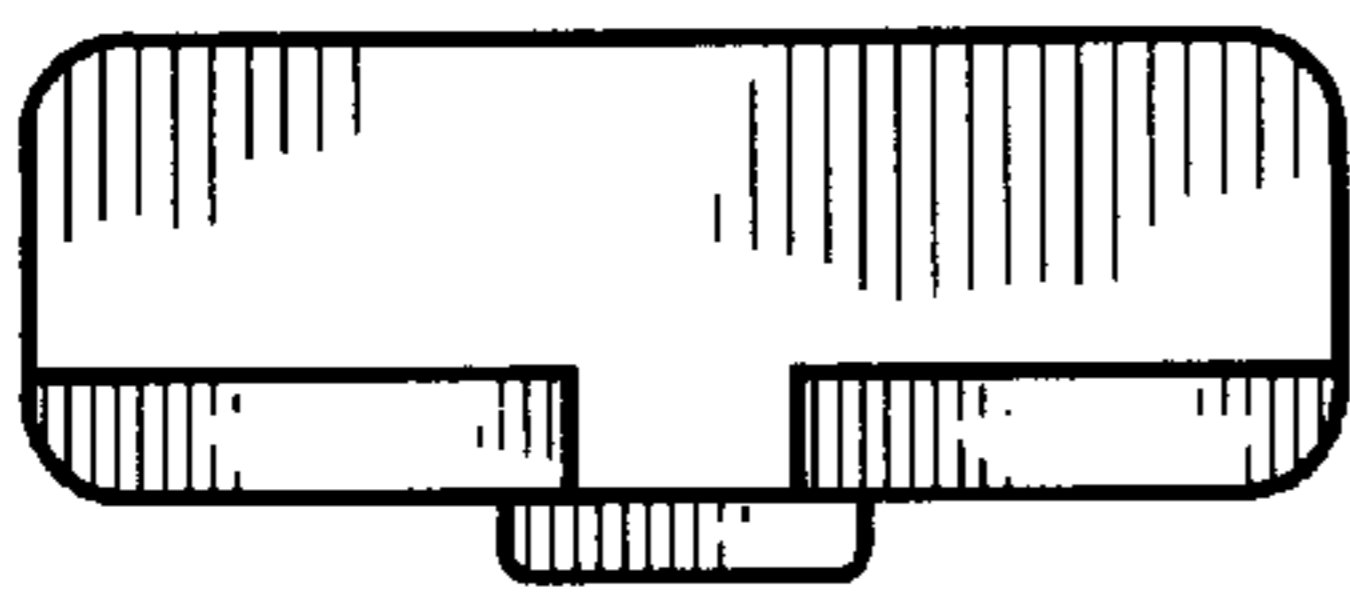
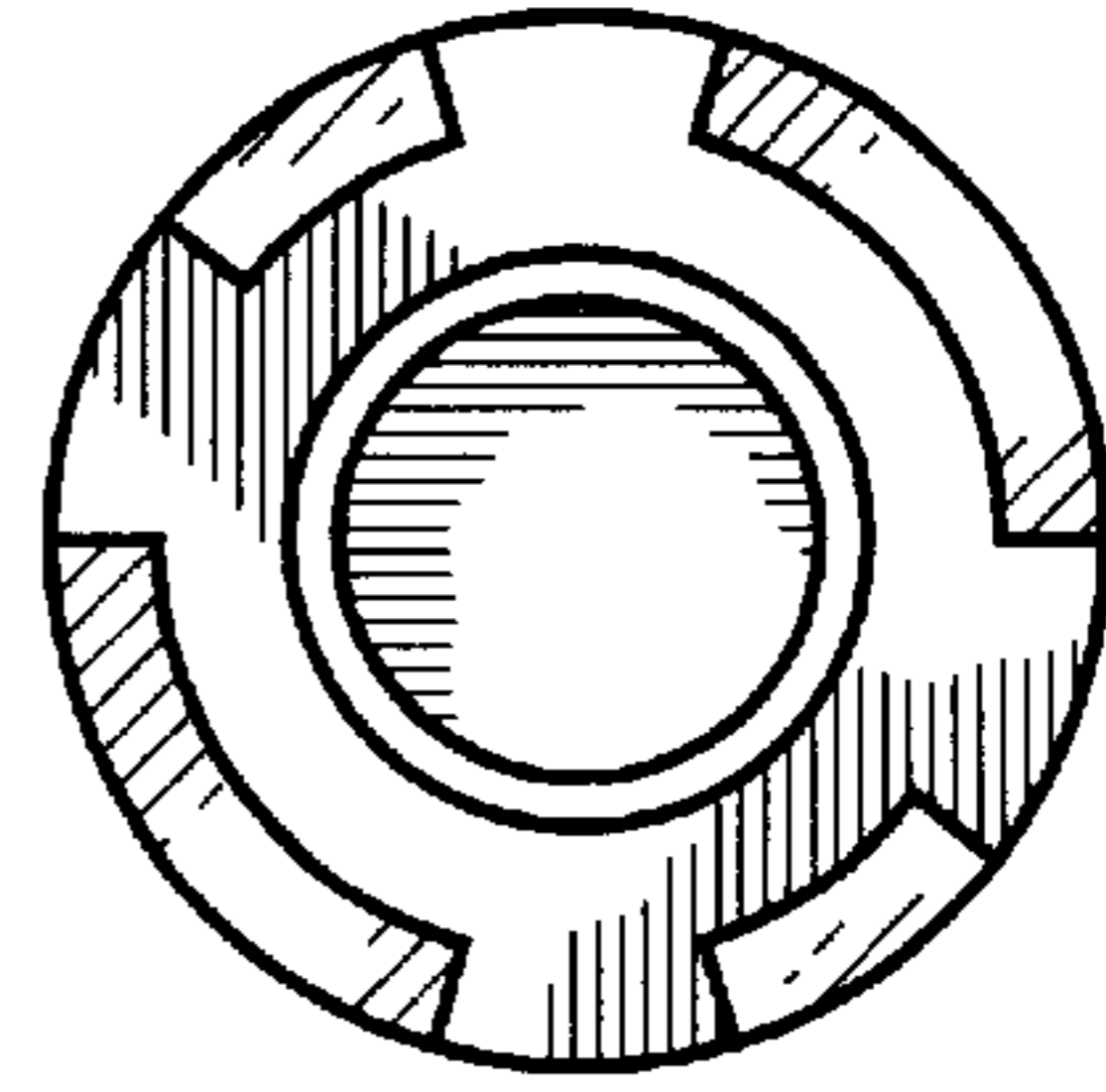


FIG. 5

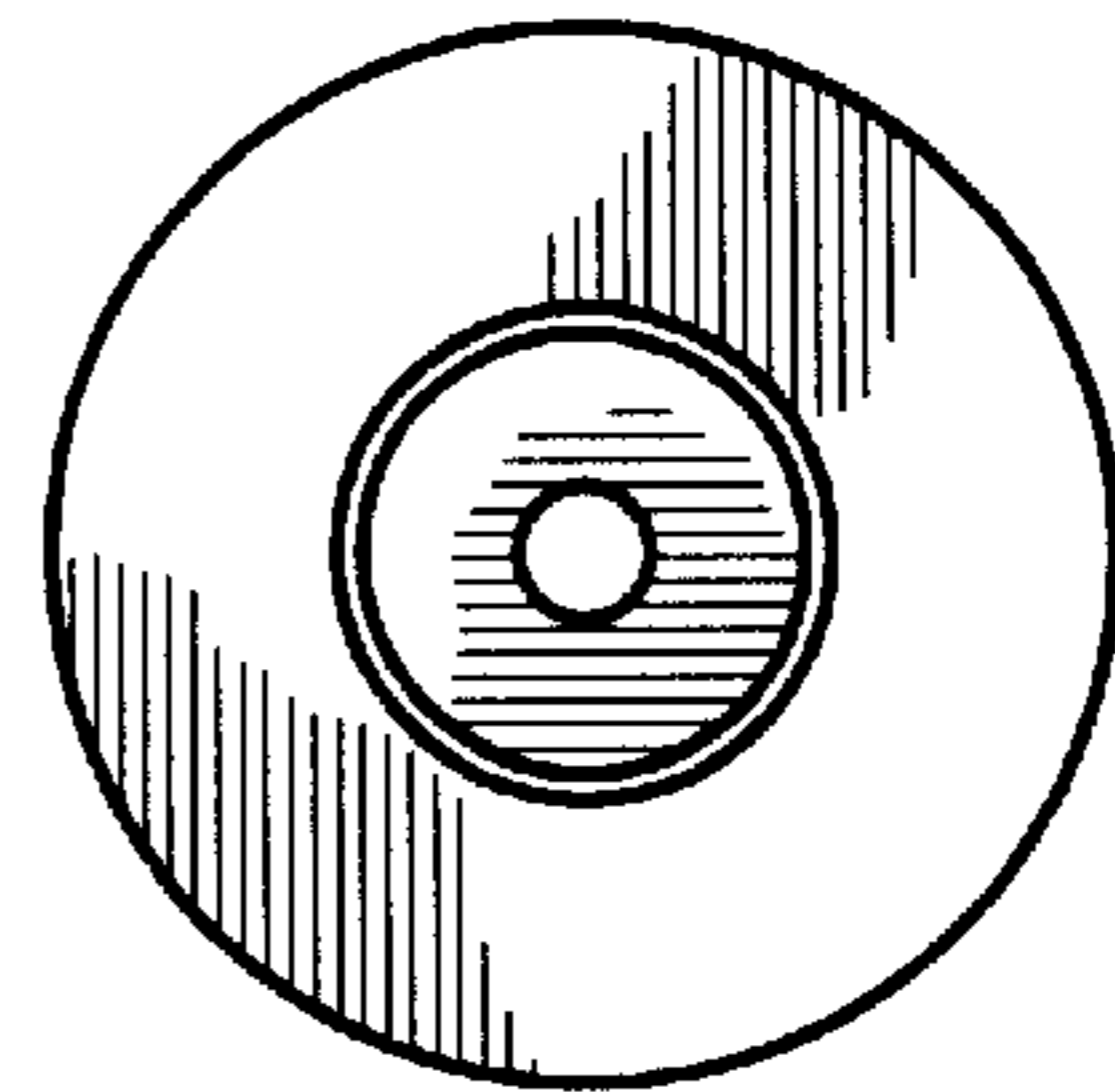
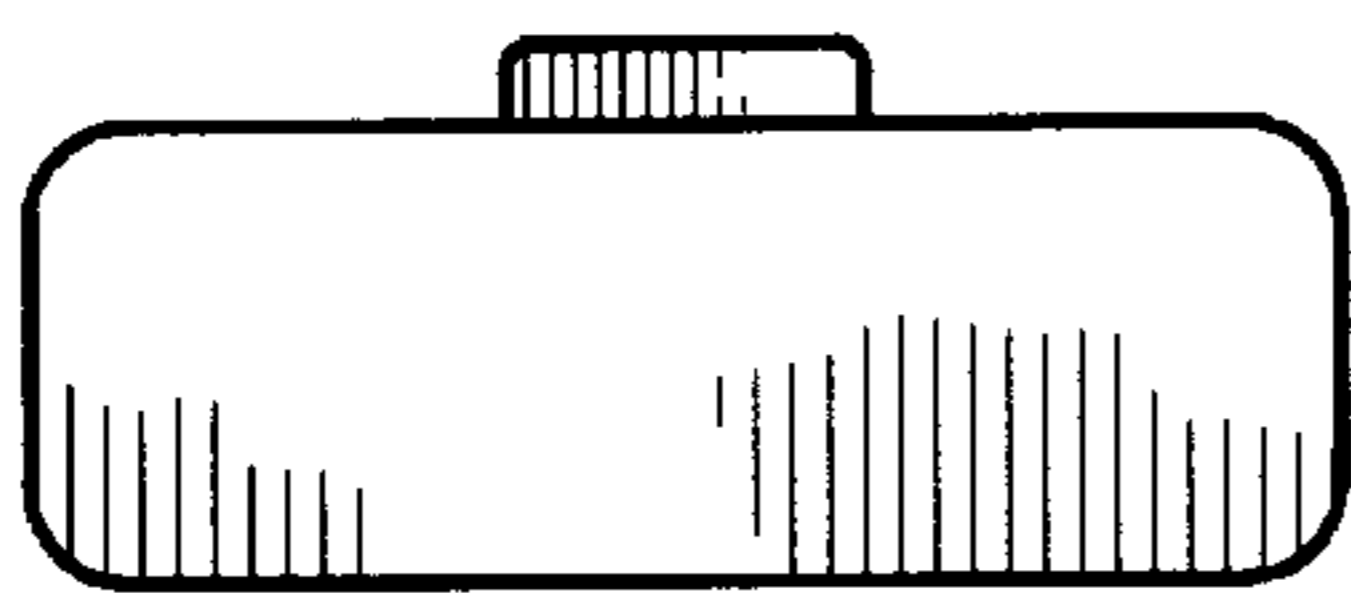


FIG. 6