



US00D428390S

United States Patent [19]
Wang

[11] **Patent Number: Des. 428,390**
[45] **Date of Patent: ** Jul. 18, 2000**

[54] **FLAT PLUG**

[76] Inventor: **Peace Wang**, No. 111-4, Lane 167,
Tsyu-Shiou N. Road, Chang-Hua,
Taiwan

[**] Term: **14 Years**

[21] Appl. No.: **29/106,155**

[22] Filed: **Jun. 11, 1999**

[51] **LOC (7) Cl.** **13-03**

[52] **U.S. Cl.** **D13/138.2**

[58] **Field of Search** D13/137.1-137.4,
D13/138.1-138.2; 439/106, 448, 451, 483,
733.1, 657, 692

[56] **References Cited**

U.S. PATENT DOCUMENTS

- D. 330,009 10/1992 Dickie D13/138.1
- D. 402,962 12/1998 Hedrick D13/138.2
- D. 405,222 2/1999 Gilbert, Jr. et al. D13/138.2

Primary Examiner—Susan J. Lucas
Assistant Examiner—Jennifer Rivard
Attorney, Agent, or Firm—Birch, Stewart, Kolasch & Birch,
LLP

[57] **CLAIM**

The ornamental design for a flat plug, as show and described.

DESCRIPTION

FIG. 1 is a top plan view of a flat plug showing my new design.

FIG. 2 is a bottom plan view thereof.

FIG. 3 is a left side elevational view thereof.

FIG. 4 is a right side elevational view thereof.

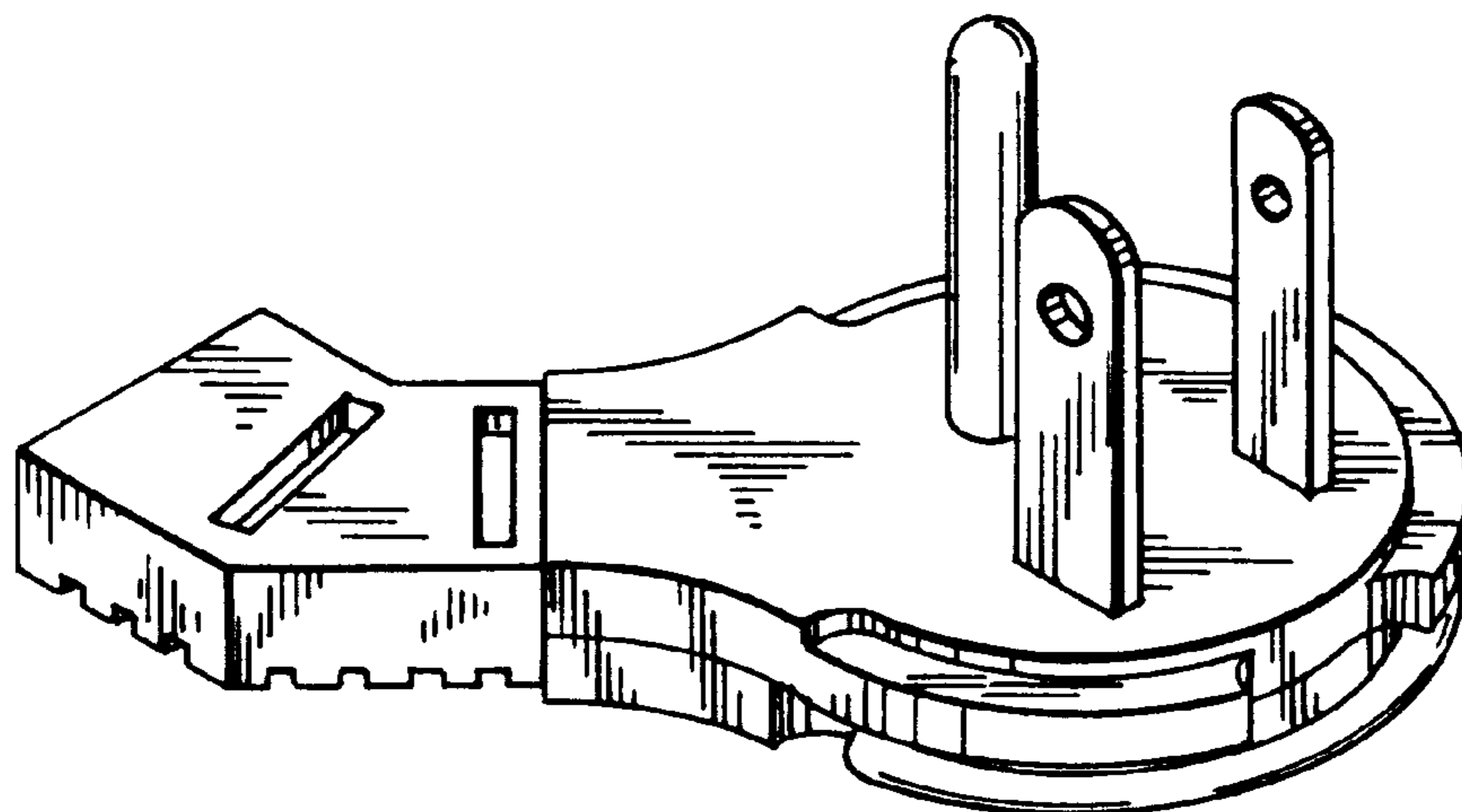
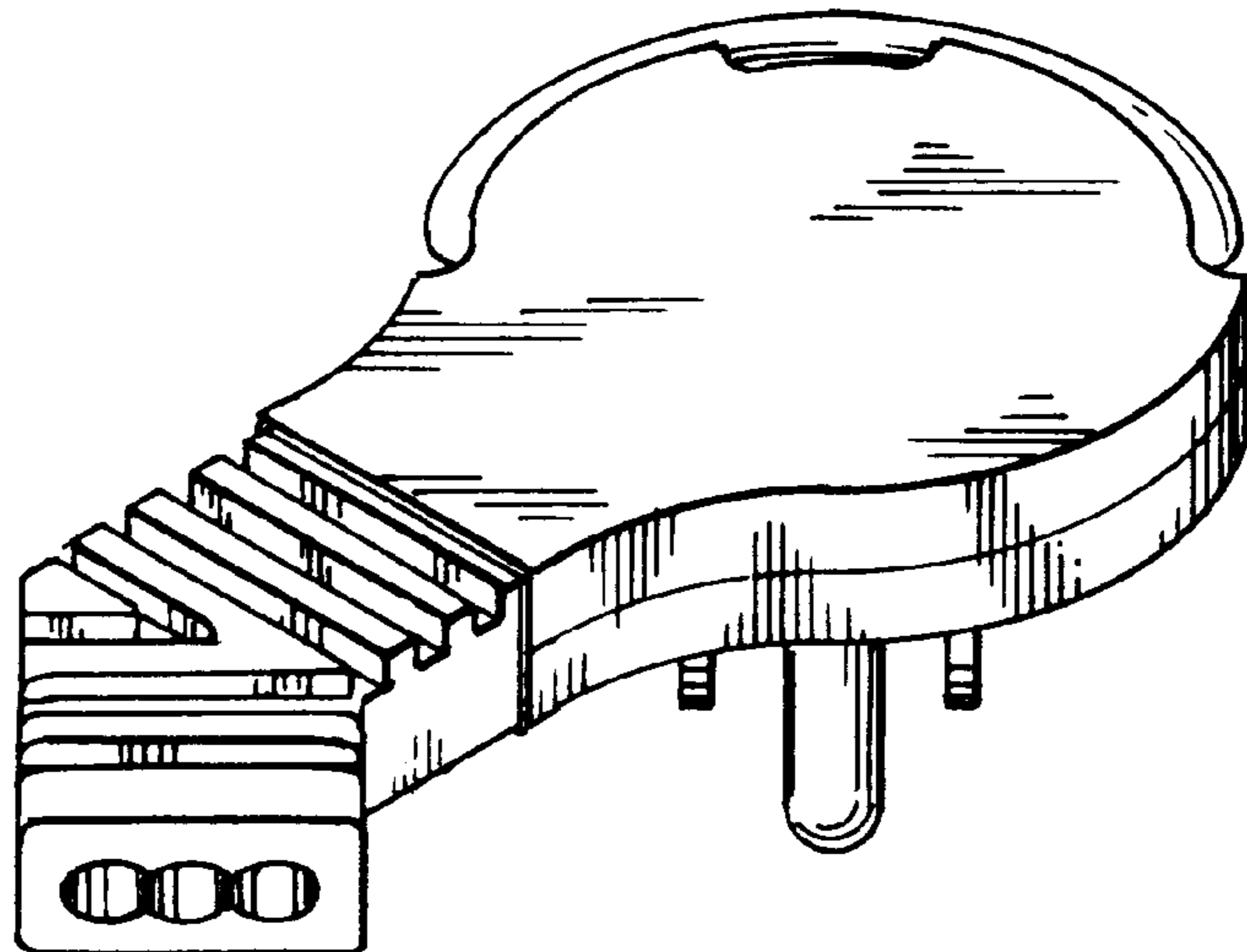
FIG. 5 is a front elevational side view thereof.

FIG. 6 is a rear elevational side view thereof.

FIG. 7 is a perspective view thereof showing my new design; and,

FIG. 8 is another perspective view thereof showing my new design.

1 Claim, 3 Drawing Sheets



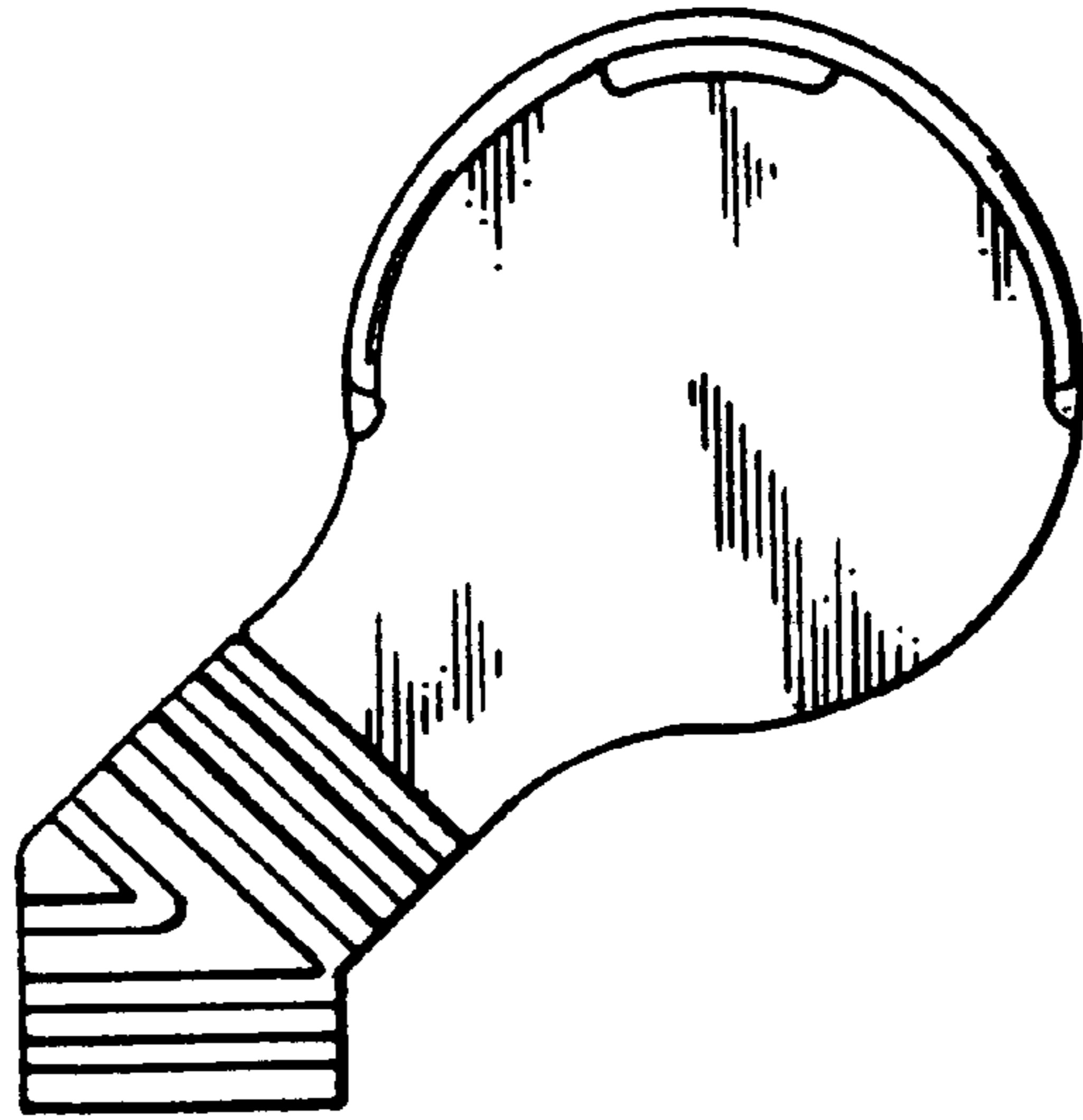


Fig. 1

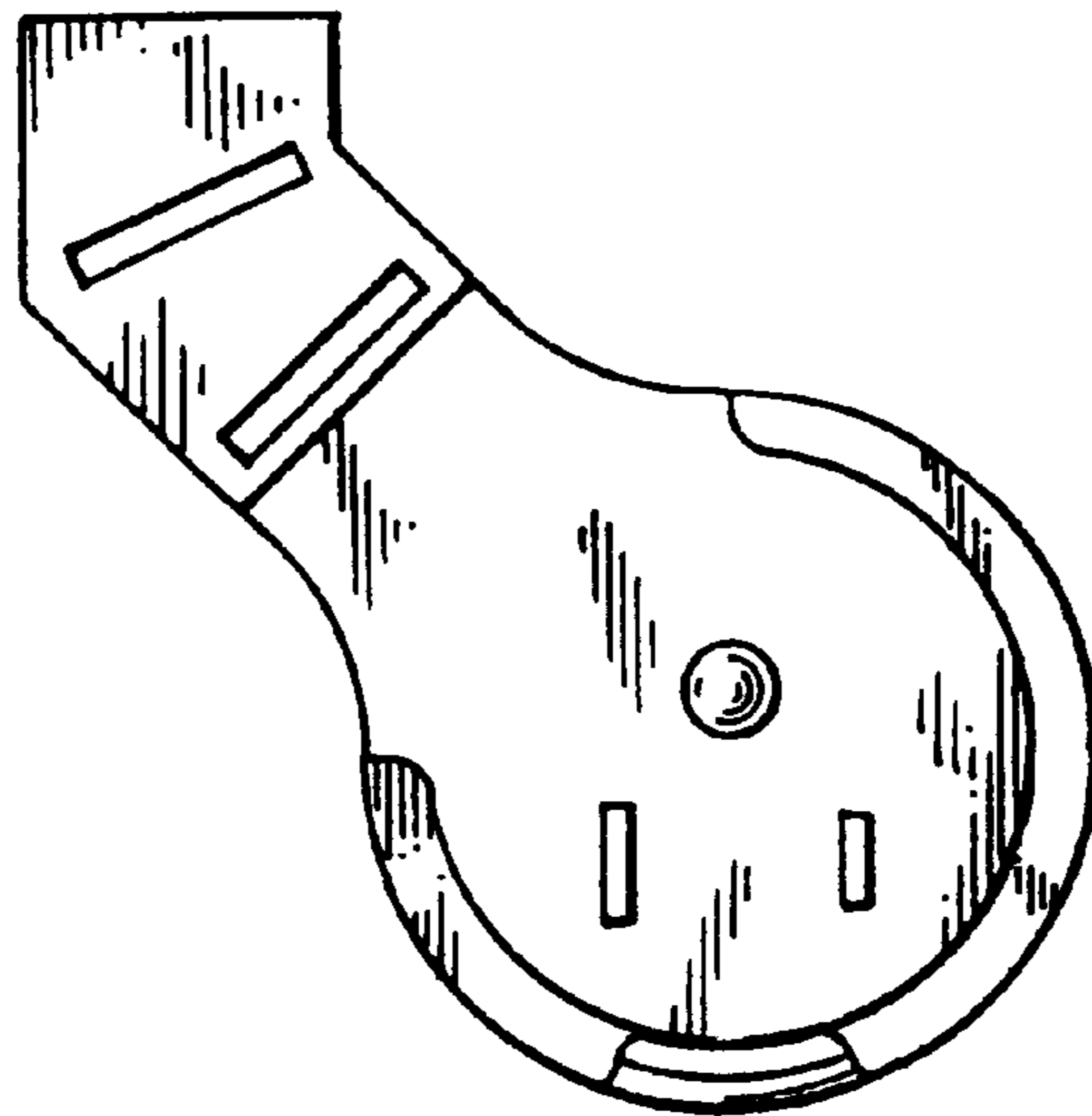


Fig. 2

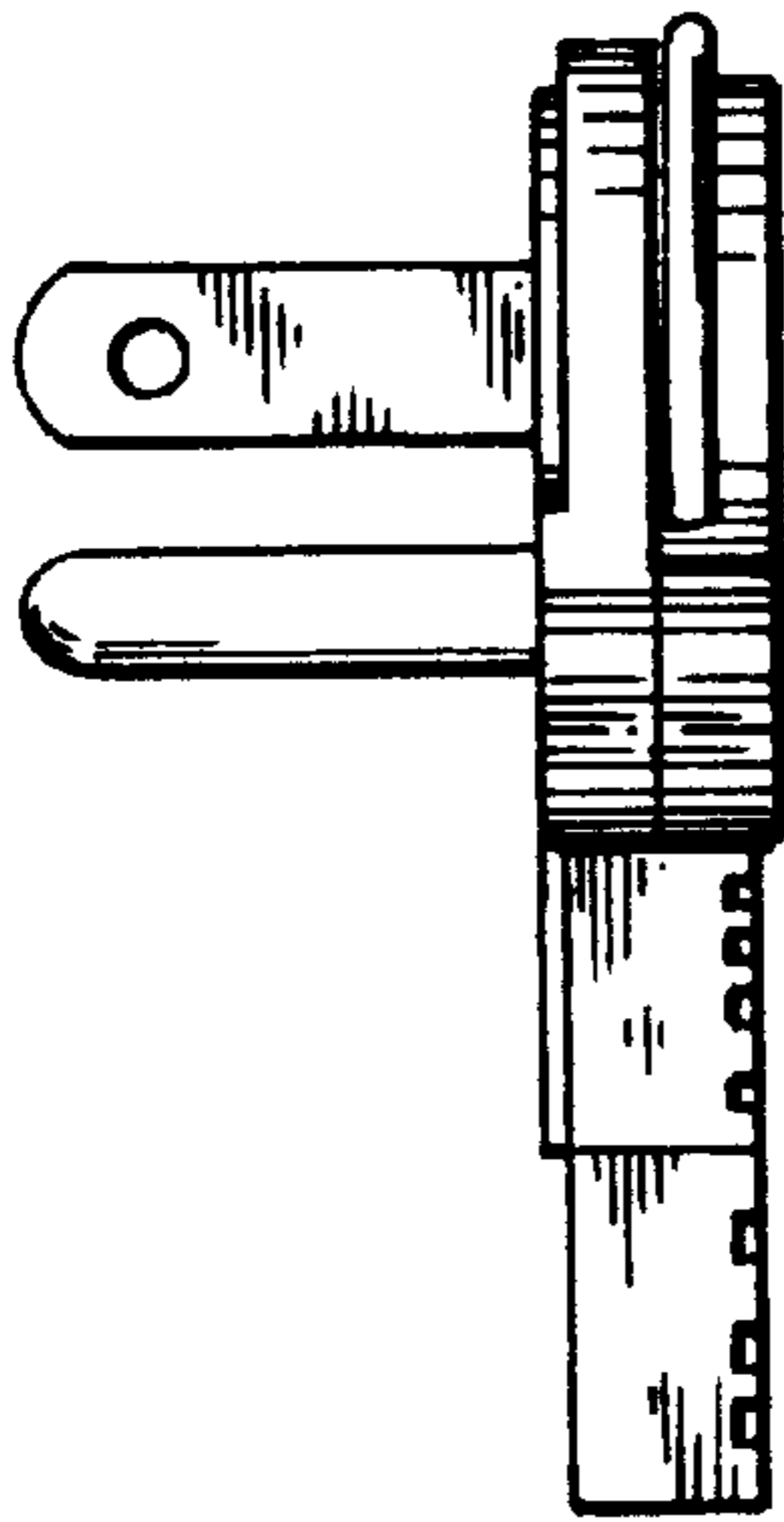


Fig. 3

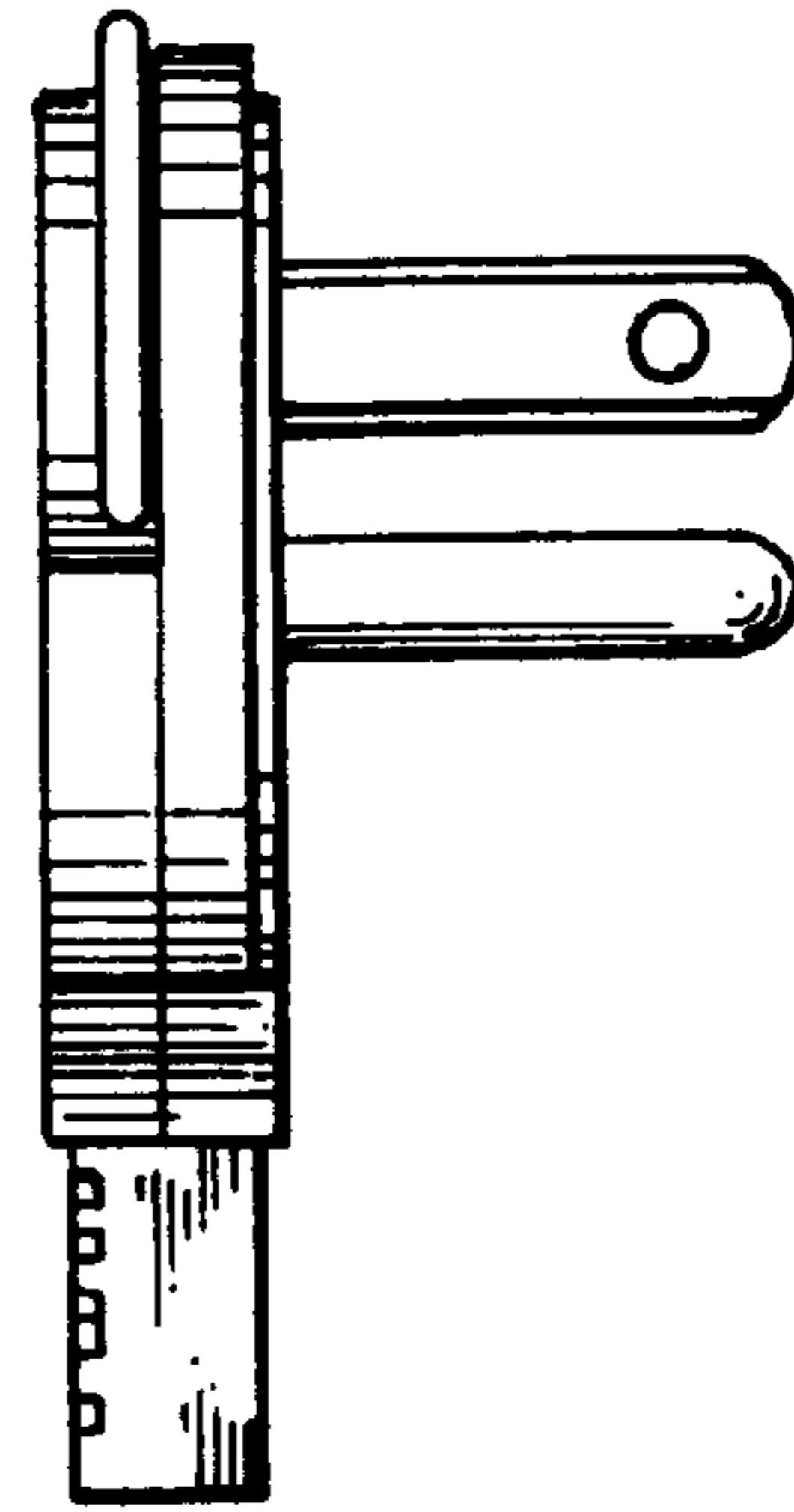


Fig. 4

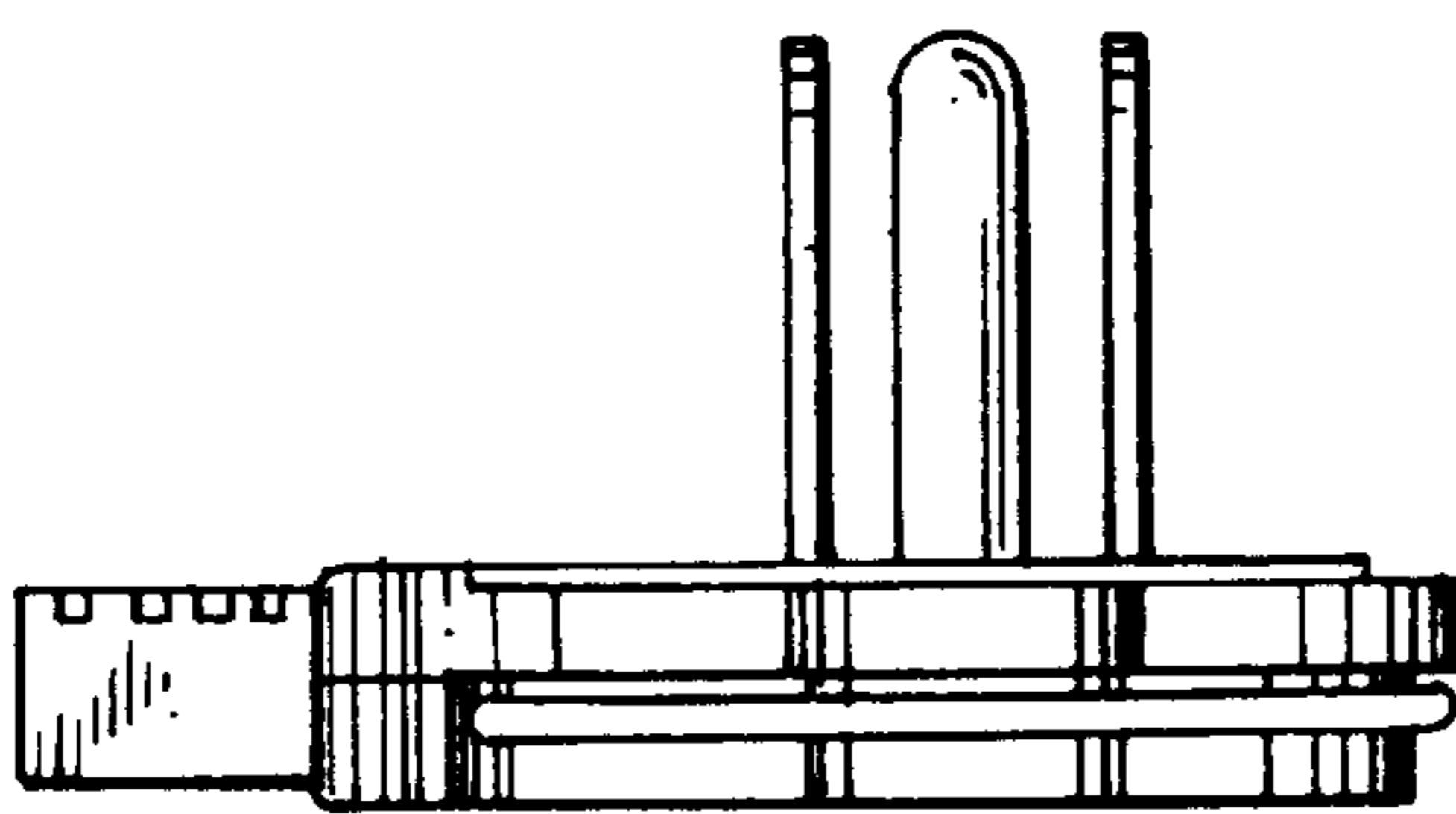


Fig. 5

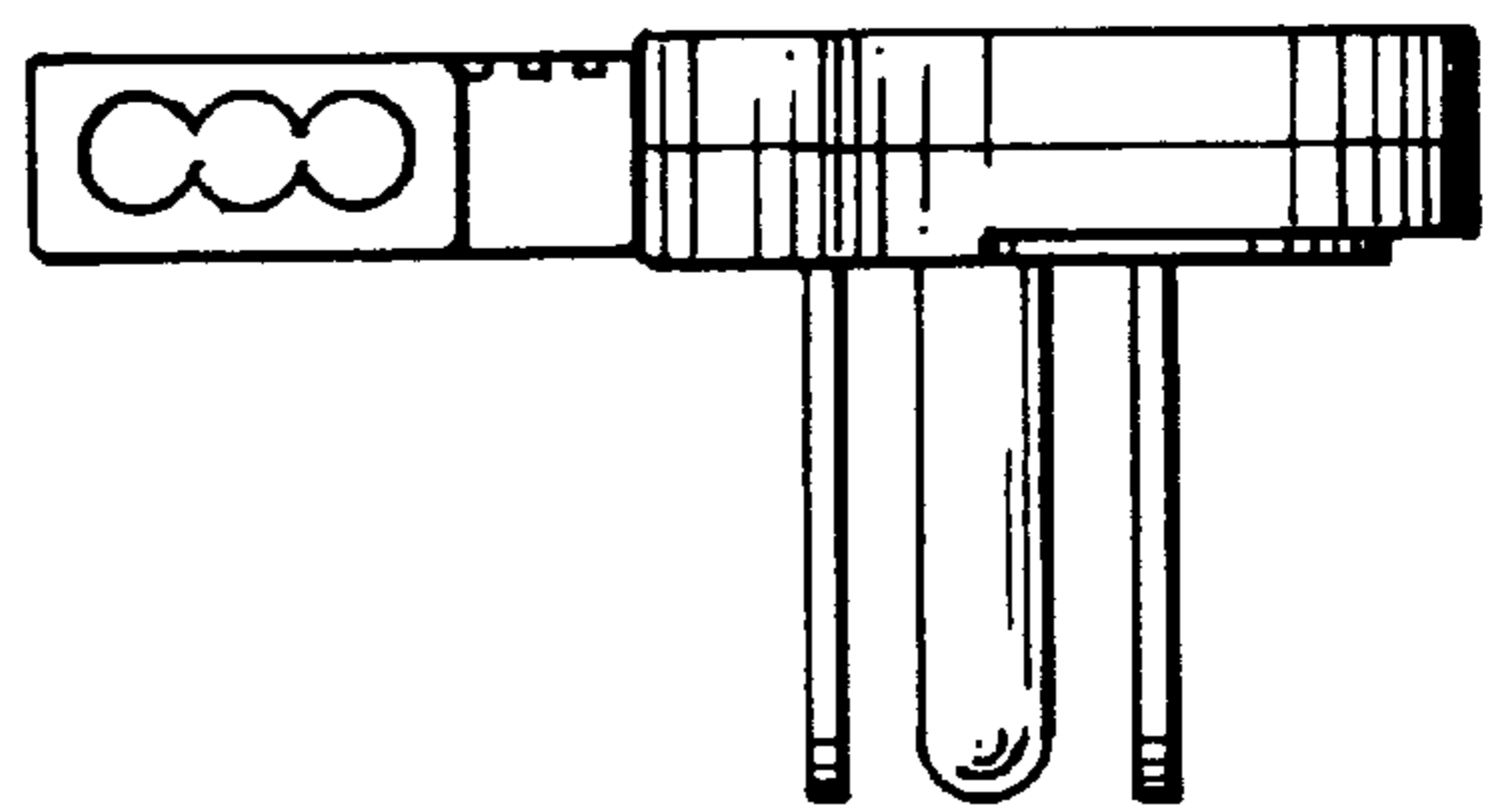


Fig. 6

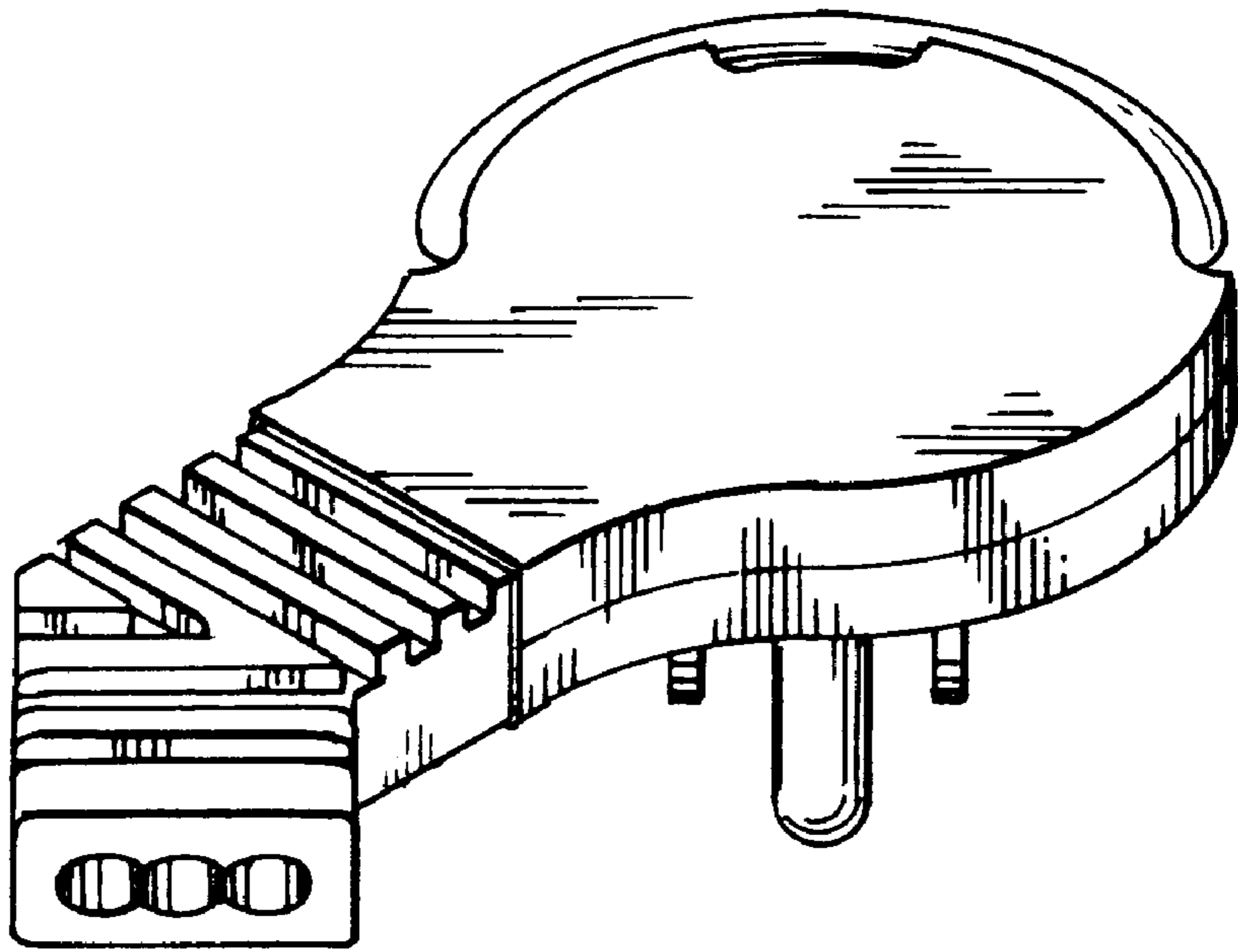


Fig. 7

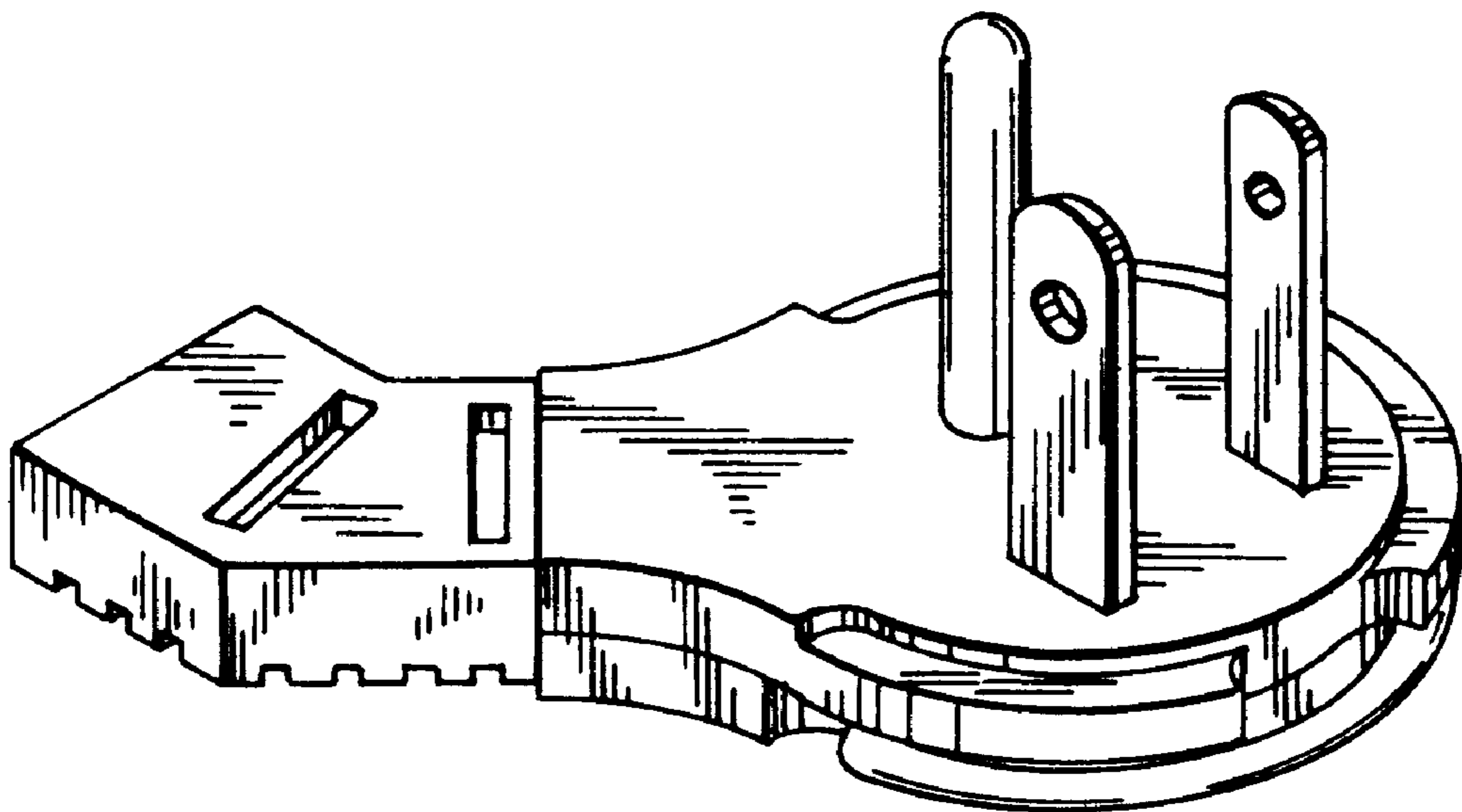


Fig. 8