



US00D428386S

United States Patent [19] Ahlgren

[11] Patent Number: **Des. 428,386**

[45] Date of Patent: **** Jul. 18, 2000**

[54] **VEHICLE CHARGER**

[75] Inventor: **Erik Ahlgren**, Lund, Sweden

[73] Assignee: **Telefonaktiebolaget LM Ericsson**,
Stockholm, Sweden

[**] Term: **14 Years**

[21] Appl. No.: **29/109,192**

[22] Filed: **Aug. 12, 1999**

[30] **Foreign Application Priority Data**

Feb. 12, 1999 [SE] Sweden 99-0298

[51] **LOC (7) Cl.** **13-02**

[52] **U.S. Cl.** **D13/107**

[58] **Field of Search** D13/107, 108,
D13/119; D14/251, 253; 320/110-115

[56] **References Cited**

U.S. PATENT DOCUMENTS

D. 379,346 5/1997 Miki D13/107

D. 384,937 10/1997 Liu D13/108
D. 408,787 4/1999 Seragnoli D13/144

Primary Examiner—Joel Sincavage
Attorney, Agent, or Firm—Burns, Doane, Swecker &
Mathis, L.L.P.

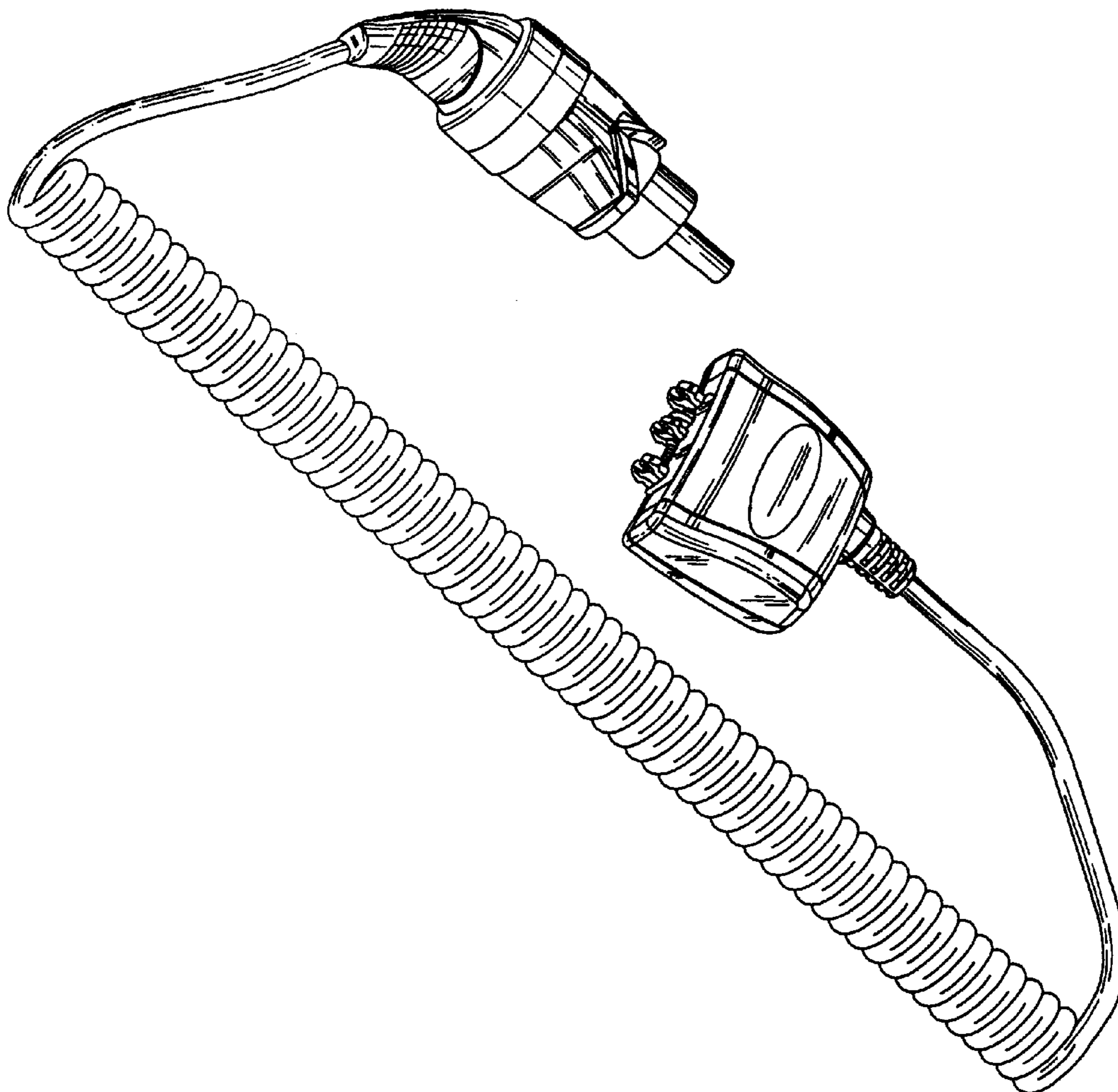
[57] **CLAIM**

The ornamental design for a vehicle charger, as shown and described.

DESCRIPTION

FIG. 1 is a top, right perspective view of a vehicle charger showing my new design;
FIG. 2 is a bottom, rear perspective view thereof;
FIG. 3 is a top plan view thereof;
FIG. 4 is a right side elevational view thereof;
FIG. 5 is a bottom view thereof;
FIG. 6 is a left side elevational view thereof;
FIG. 7 is a front elevational view thereof; and,
FIG. 8 is a rear elevational view thereof.

1 Claim, 5 Drawing Sheets



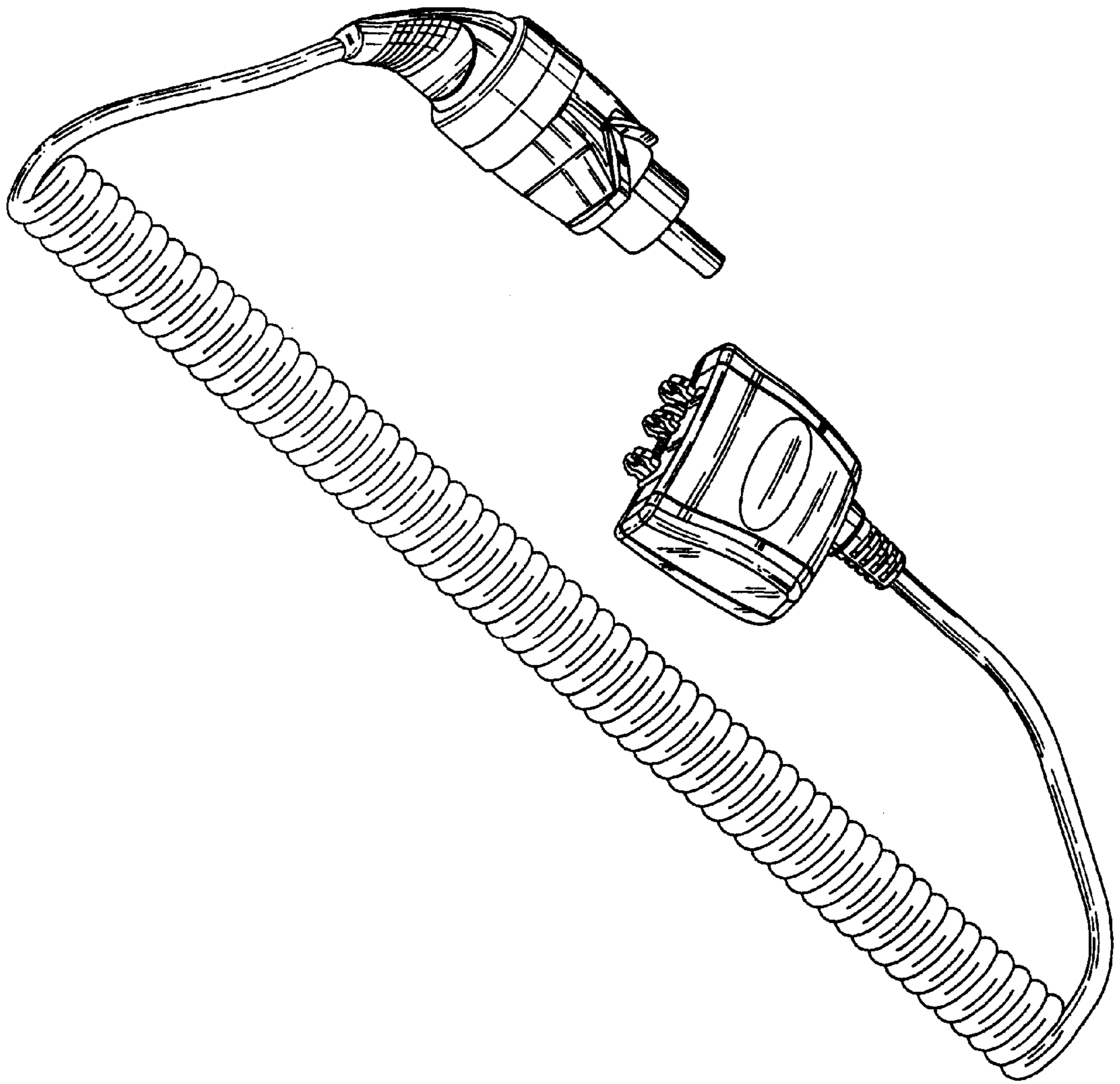


FIG. 1

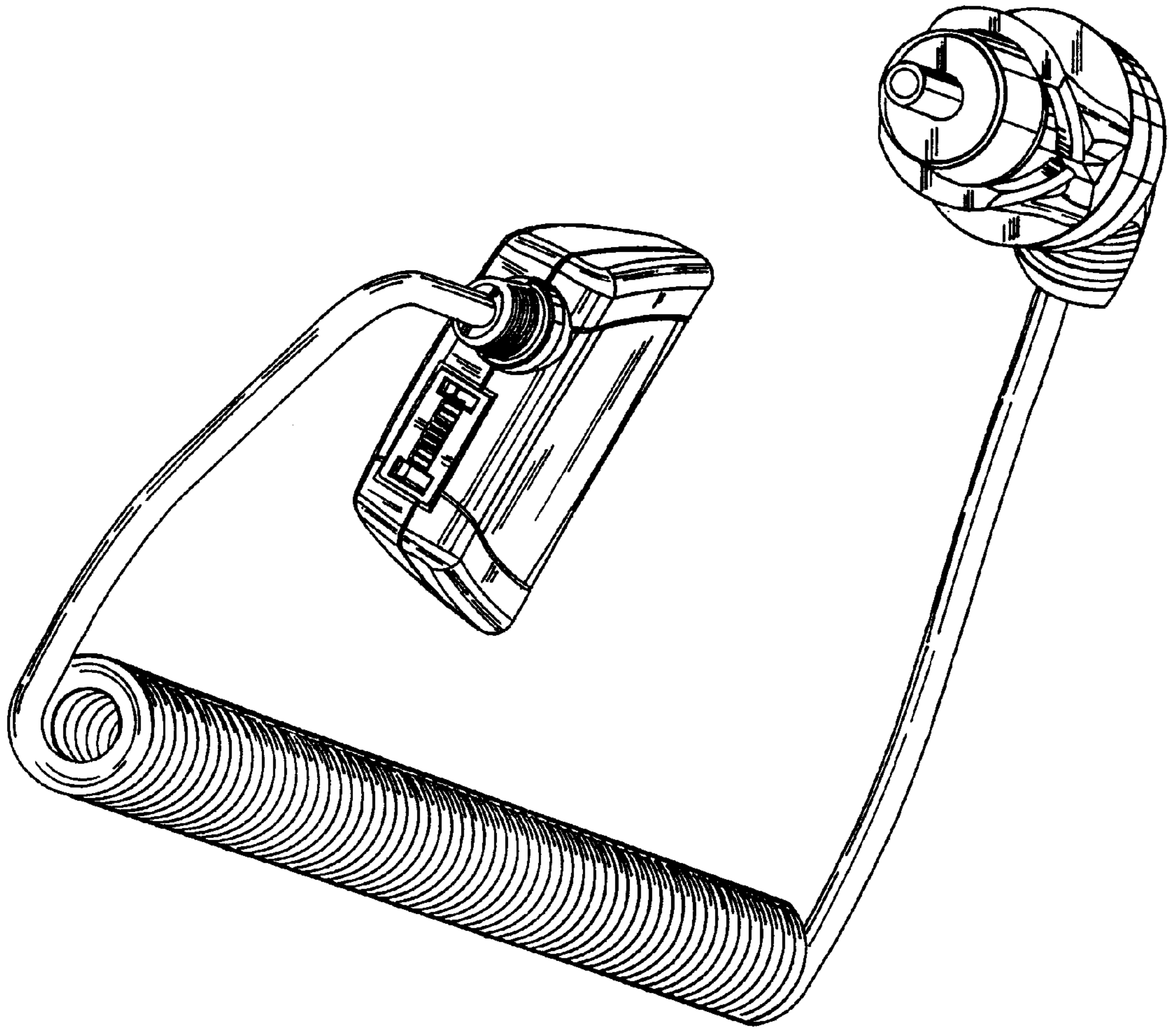


FIG. 2

FIG. 3

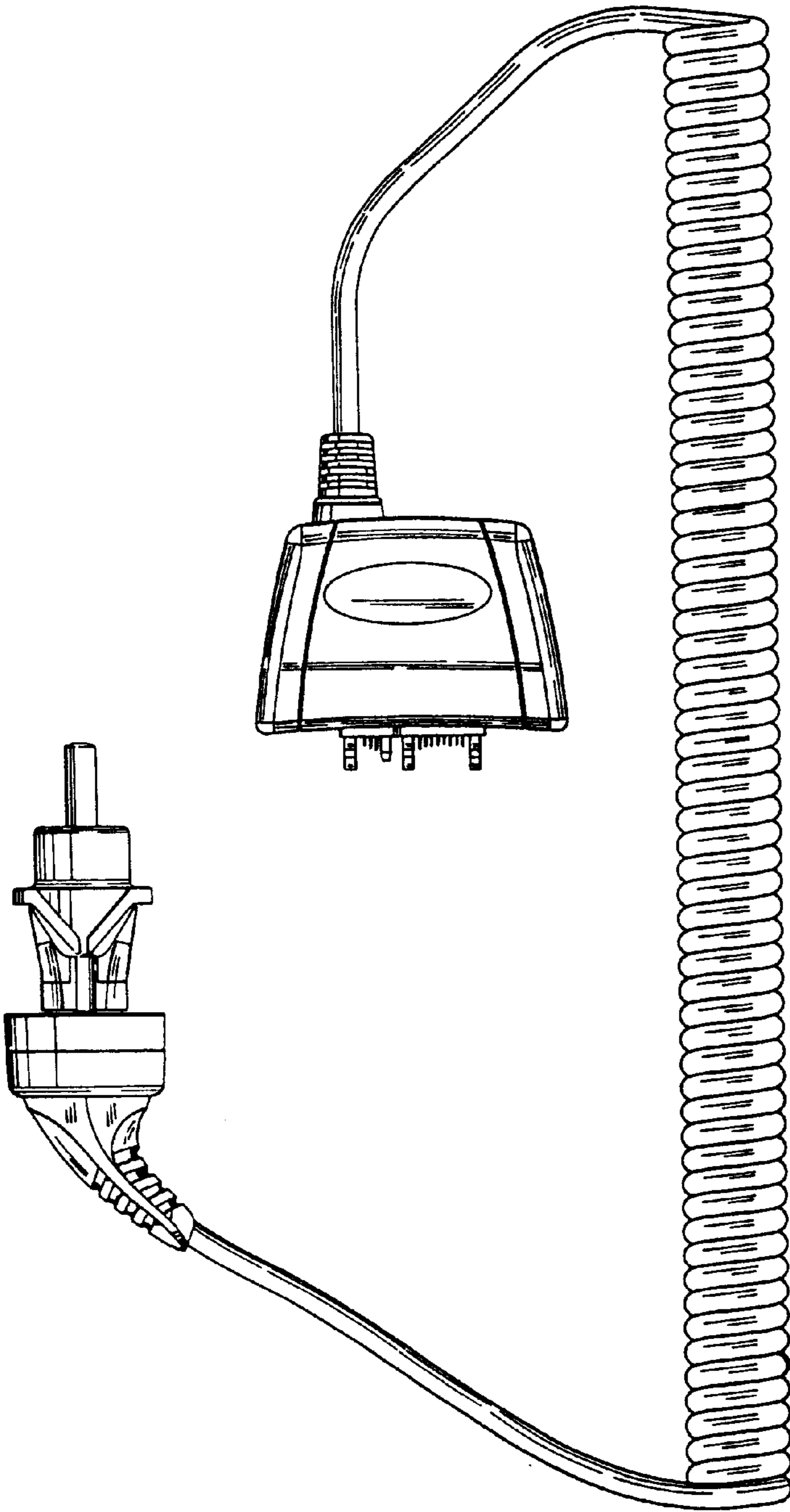


FIG. 4

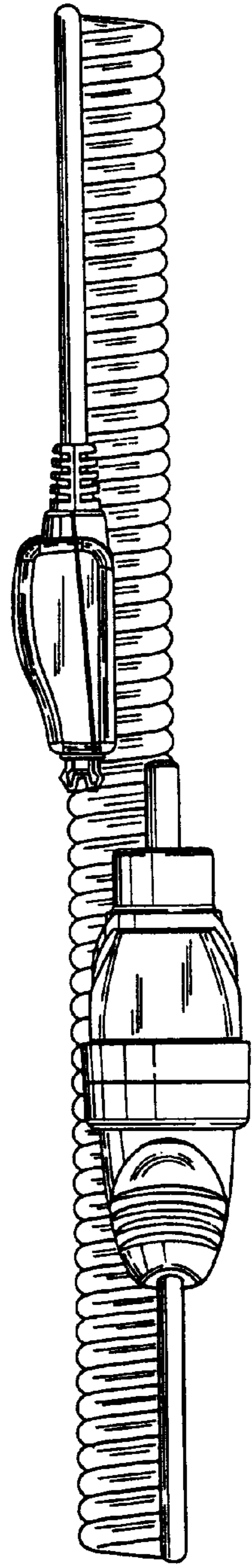


FIG. 5

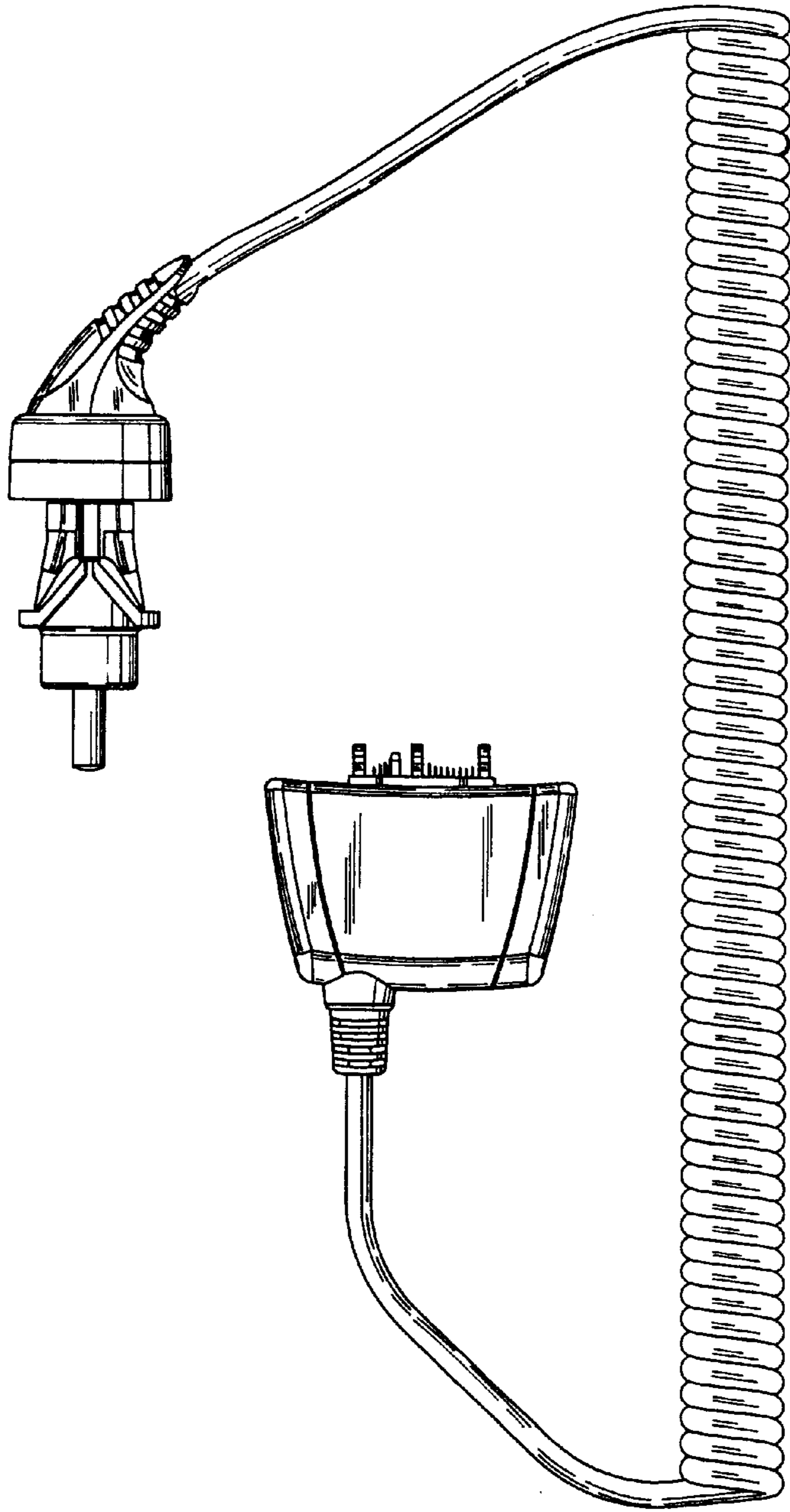
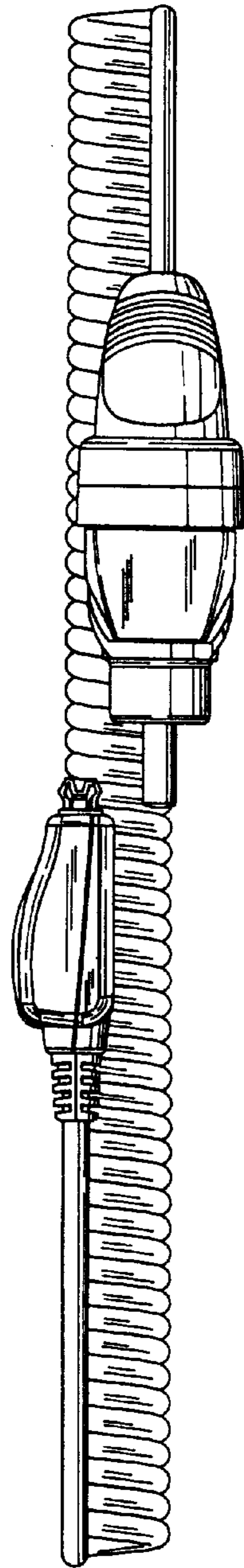


FIG. 6



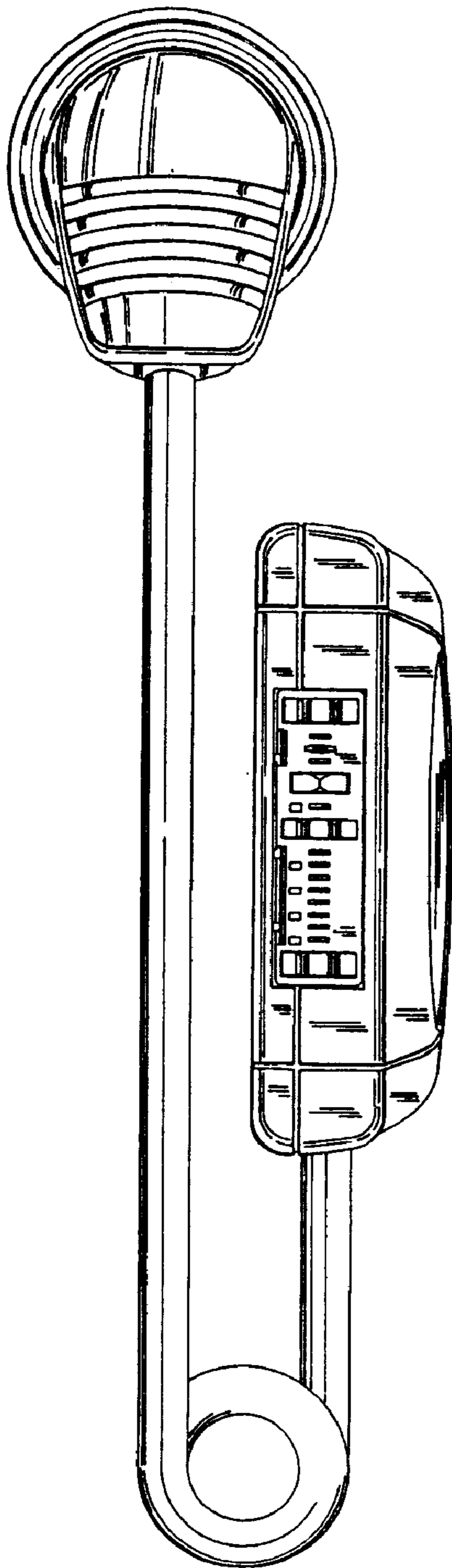


FIG. 7

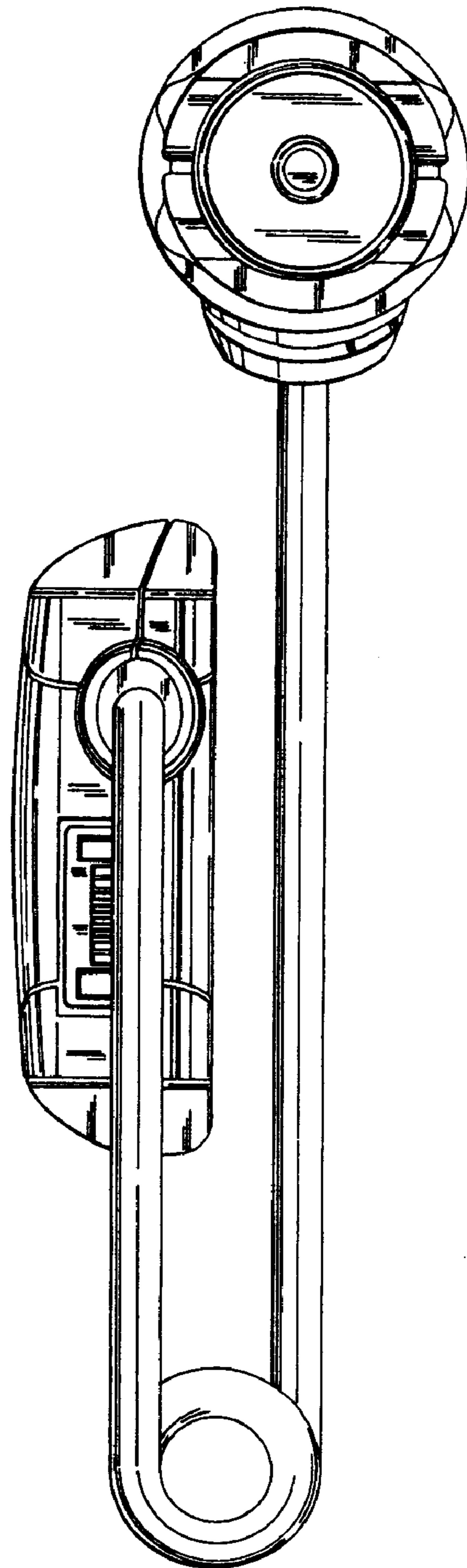


FIG. 8