



US00D428374S

# United States Patent [19] Steinhagen

[11] **Patent Number: Des. 428,374**  
[45] **Date of Patent: \*\* Jul. 18, 2000**

[54] **LICENSE PLATE FRAME**  
[75] Inventor: **Thomas Steinhagen**, West Des Moines, Iowa  
[73] Assignee: **Cobbs Manufacturing Co.**, Des Moines, Iowa  
[\*\*] Term: **14 Years**  
[21] Appl. No.: **29/106,989**  
[22] Filed: **Jun. 25, 1999**  
[51] **LOC (7) Cl.** ..... **12-16**  
[52] **U.S. Cl.** ..... **D12/193**  
[58] **Field of Search** ..... D12/193; D6/300-303, D6/310-313, 314; 40/200-203, 207-210

D. 348,037 6/1994 Hu .  
D. 348,038 6/1994 Hu .  
D. 348,643 7/1994 Nagata .  
D. 348,865 7/1994 Nagata .

(List continued on next page.)

### OTHER PUBLICATIONS

Cobbs Lifestyle Accessories, Marketing Brochure, Cobbs Manufacturing Company, 1994, p. 18 describing various license plate frames.  
Cobbs Lifestyle Accessories, Marketing Brochure, Cobbs Manufacturing Company, 1995 pp. 4 and 13 describing various license plate frames.  
Cobbs Lifestyle Accessories, Marketing Brochure, Cobbs Manufacturing Company, 1996 p. 18 describing various license plate frames.  
Cobbs Lifestyle Accessories, Marketing Brochure, Cobbs Manufacturing Company, 1997 pp. 3 and 19 describing various license plate frames.  
Cobbs License Plate Frames, Marketing Brochure, Cobbs Manufacturing Company, 1998 pp. 2-9 describing various license plate frames.  
Cobbs Performance Accessories, Tricked Out! Marketing Brochure, Cobbs Manufacturing Company, 1998 p. 8 describing various license frames.

*Primary Examiner*—Jeffrey Asch  
*Assistant Examiner*—Stacia Sinuik  
*Attorney, Agent, or Firm*—Dick & Harris

### [56] **References Cited**

#### U.S. PATENT DOCUMENTS

D. 160,496 10/1950 Harmer .  
D. 163,328 5/1951 Rothman .  
D. 245,497 8/1977 Ritch .  
D. 257,341 10/1980 Blaser .  
D. 271,011 10/1983 Bott .  
D. 274,807 7/1984 Stansbury, Jr. et al. .  
D. 279,667 7/1985 Baron .  
D. 281,490 11/1985 Lien .  
D. 285,784 9/1986 Langensiepen .  
D. 294,975 3/1988 Lester .  
D. 301,863 6/1989 Chart et al. .  
D. 305,417 1/1990 Corey .  
D. 310,347 9/1990 Spencer .  
D. 313,787 1/1991 Williams .  
D. 318,645 7/1991 Farber .  
D. 326,079 5/1992 Schmitz et al. .  
D. 327,047 6/1992 Corey .  
D. 330,004 10/1992 Spencer .  
D. 331,217 11/1992 Spencer .  
D. 331,903 12/1992 Lan .  
D. 332,247 1/1993 Wilson .  
D. 333,119 2/1993 Russell .  
D. 335,117 4/1993 Spencer .  
D. 335,858 5/1993 Traeger .  
D. 342,929 1/1994 Spencer .  
D. 345,541 3/1994 Schmitz .  
D. 346,578 5/1994 Corey .  
D. 347,416 5/1994 Hu .

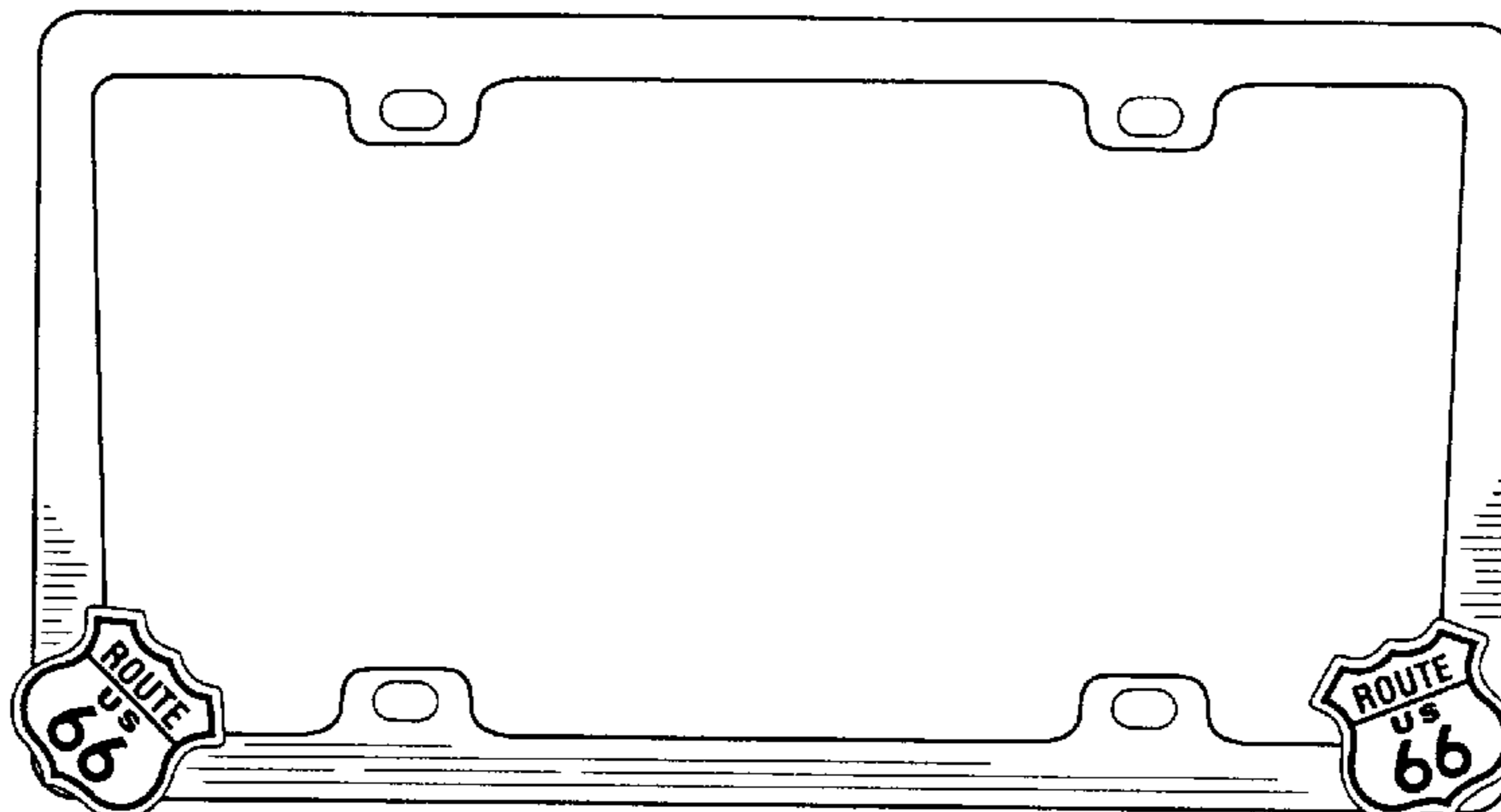
### [57] **CLAIM**

The ornamental design for a license plate frame, as shown and described.

### **DESCRIPTION**

FIG. 1 is a front elevational view of the license plate frame showing a new ornamental design therefor;  
FIG. 2 is a top plan view thereof;  
FIG. 3 is a left side elevational view thereof;  
FIG. 4 is a right side elevational view thereof;  
FIG. 5 is a bottom plan view thereof;  
FIG. 6 is a rear elevational view thereof; and,  
FIG. 7 is a perspective view thereof.

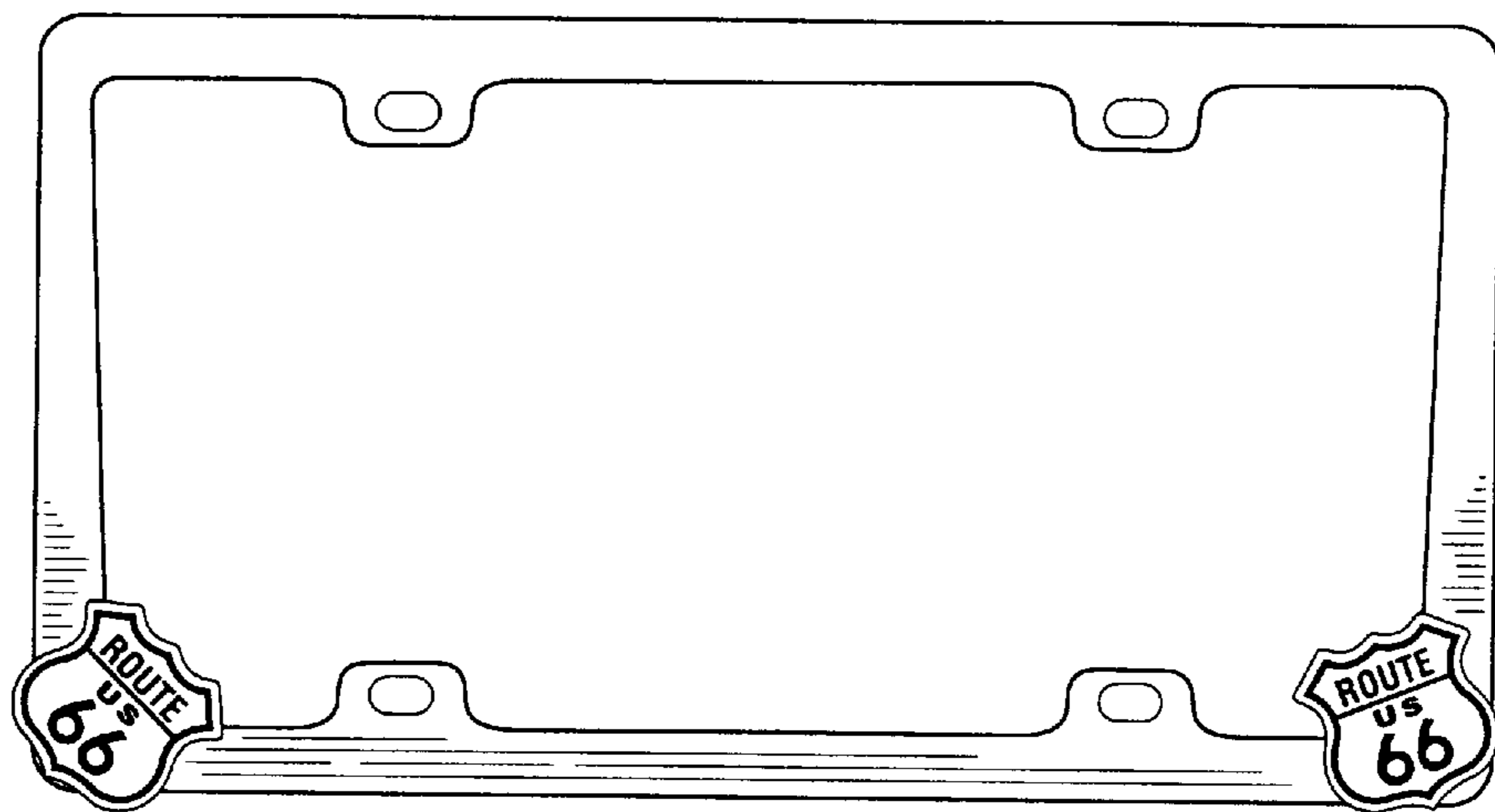
**1 Claim, 2 Drawing Sheets**



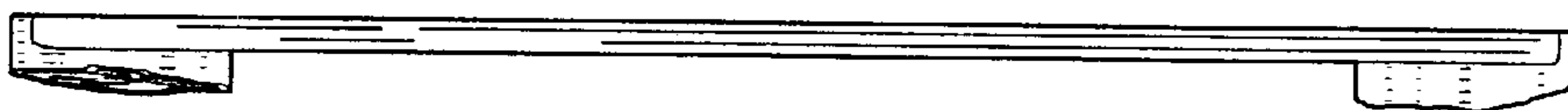
U.S. PATENT DOCUMENTS

D. 349,480	8/1994	Leu .	D. 377,639	1/1997	Kheyfets .
D. 352,022	11/1994	Liu .	D. 377,776	2/1997	Kheyfets .
D. 358,359	5/1995	Shusterman .	D. 377,926	2/1997	Kheyfets .
D. 359,261	6/1995	Shusterman .	D. 378,998	4/1997	Lake .
D. 359,262	6/1995	Shusterman .	D. 379,450	5/1997	Clark et al. .
D. 361,971	9/1995	Wang .	D. 380,429	7/1997	Clark et al. .
D. 365,077	12/1995	Lee .	D. 381,003	7/1997	Chiou .
D. 366,236	1/1996	Chu ..... D12/193	D. 382,240	8/1997	Francis .
D. 366,441	1/1996	Wu .	D. 383,720	9/1997	Spencer .
D. 367,459	2/1996	Spencer .	D. 384,627	10/1997	Clark et al. .
D. 368,692	4/1996	Pribble, Sr. et al. .	D. 384,628	10/1997	Lake .
D. 368,693	4/1996	Spencer .	D. 385,244	10/1977	Spencer .
D. 370,450	6/1996	Doan .	D. 399,466	10/1998	Thomas ..... D12/193
D. 376,342	12/1996	Spencer .	D. 412,147	7/1999	Steinhagen ..... D12/193
			4,011,675	3/1977	Herring .

*Fig 1*



*Fig 2*



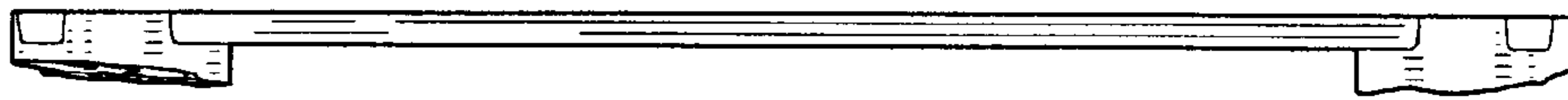
*Fig 3*



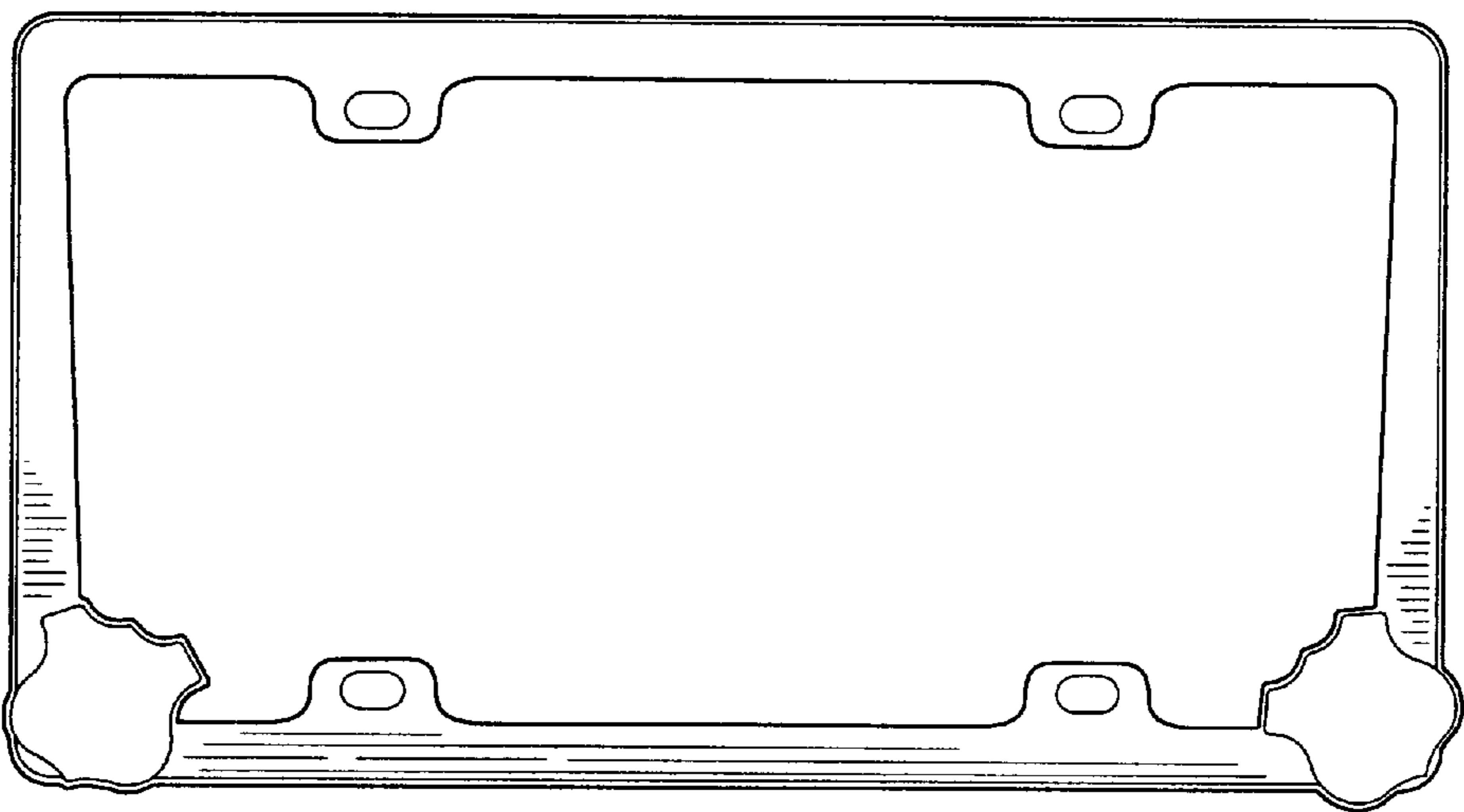
*Fig 4*



*Fig 5*



*Fig 6*



*Fig 7*

