



US00D428365S

United States Patent [19] Cheng

[11] **Patent Number: Des. 428,365**

[45] **Date of Patent: ** Jul. 18, 2000**

[54] **THREE-WHEELED RECREATIONAL SCOOTER**

4,714,261 12/1987 Kassai 280/7.1
4,828,284 5/1989 Sandgren 280/221
5,499,835 3/1996 Skirchak, Jr. et al. 280/293

[75] Inventor: **Larry M. Cheng**, Taichung, Taiwan

Primary Examiner—Pamela Burgess
Attorney, Agent, or Firm—Raymond Y. Chan; David and Raymond

[73] Assignee: **Merits Health Products Co., Ltd.**,
Taichung, Taiwan

[**] Term: **14 Years**

[57] CLAIM

[21] Appl. No.: **29/103,977**

The ornamental design for a three-wheeled recreational scooter, as shown.

[22] Filed: **Apr. 26, 1999**

DESCRIPTION

[30] Foreign Application Priority Data

Feb. 26, 1999 [TW] Taiwan 88304452

FIG. 1 is a rear right perspective view of a three-wheeled recreational scooter showing my design;
FIG. 2 is a right side elevational view thereof;
FIG. 3 is a left side elevational view thereof;
FIG. 4 is a front elevational view thereof;
FIG. 5 is a rear elevational view thereof;
FIG. 6 is a top plan view thereof;
FIG. 7 is a bottom plan view thereof; and,
FIG. 8 is a right side elevational view illustrating the folded status of the three-wheeled recreational scooter.

[51] **LOC (7) Cl.** **12-11**

[52] **U.S. Cl.** **D12/112**

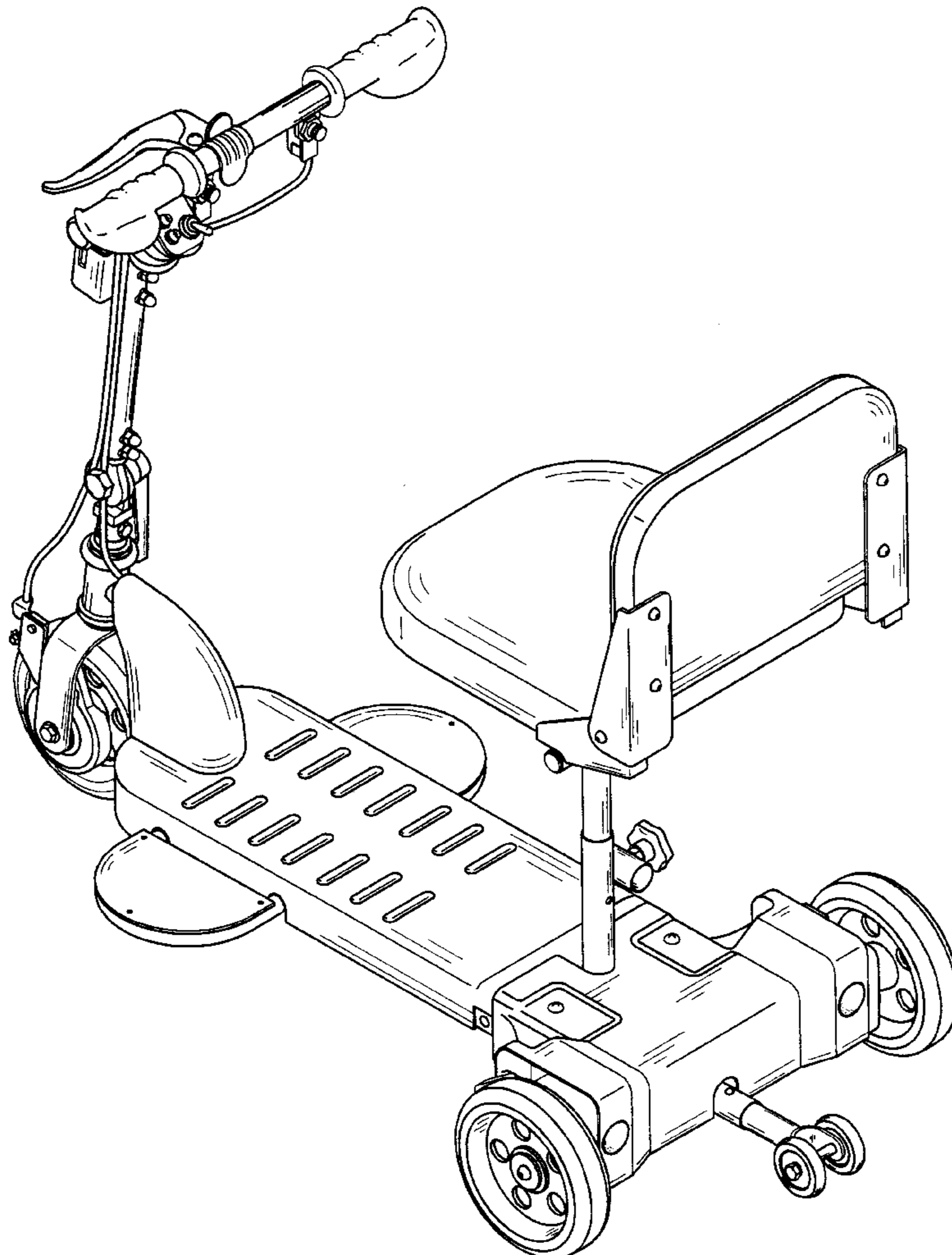
[58] **Field of Search** D12/112, 113,
D12/85; 280/221, 7.1, 293, 262, 261, 282,
202, 259, 87.051, DIG. 5; 180/210

[56] References Cited

U.S. PATENT DOCUMENTS

D. 385,230 10/1997 Han et al. D12/112

1 Claim, 8 Drawing Sheets



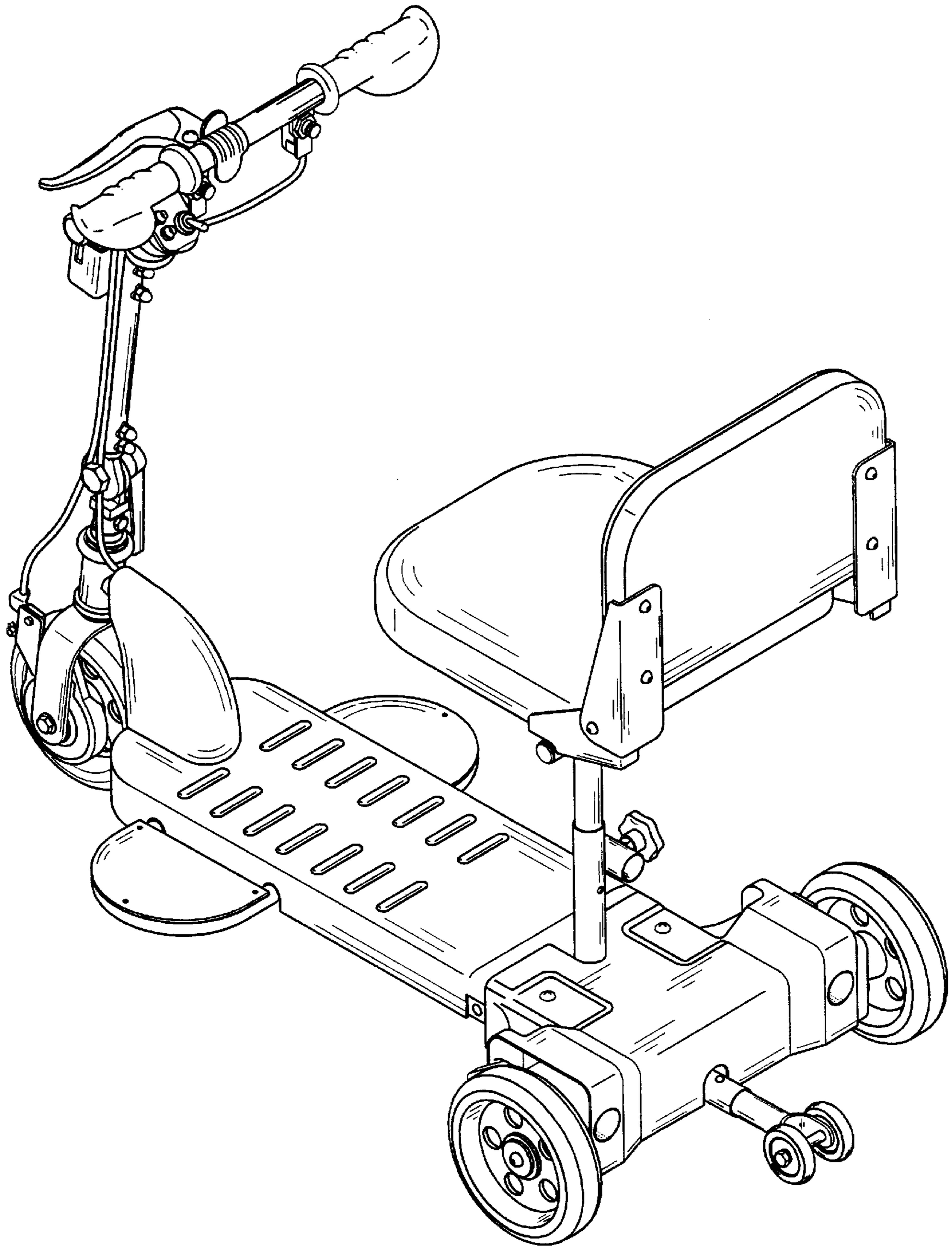


FIG. 1

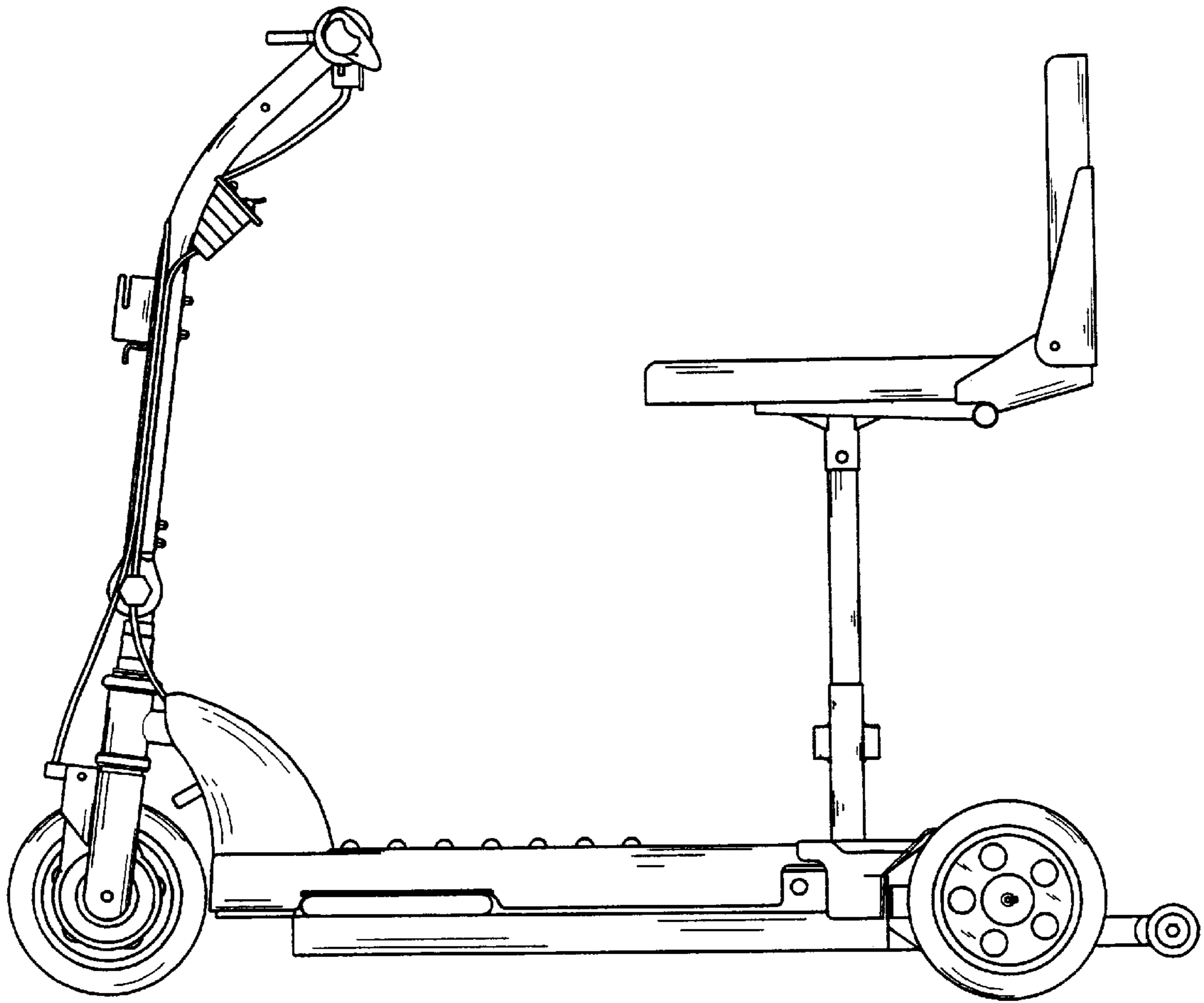


FIG. 2

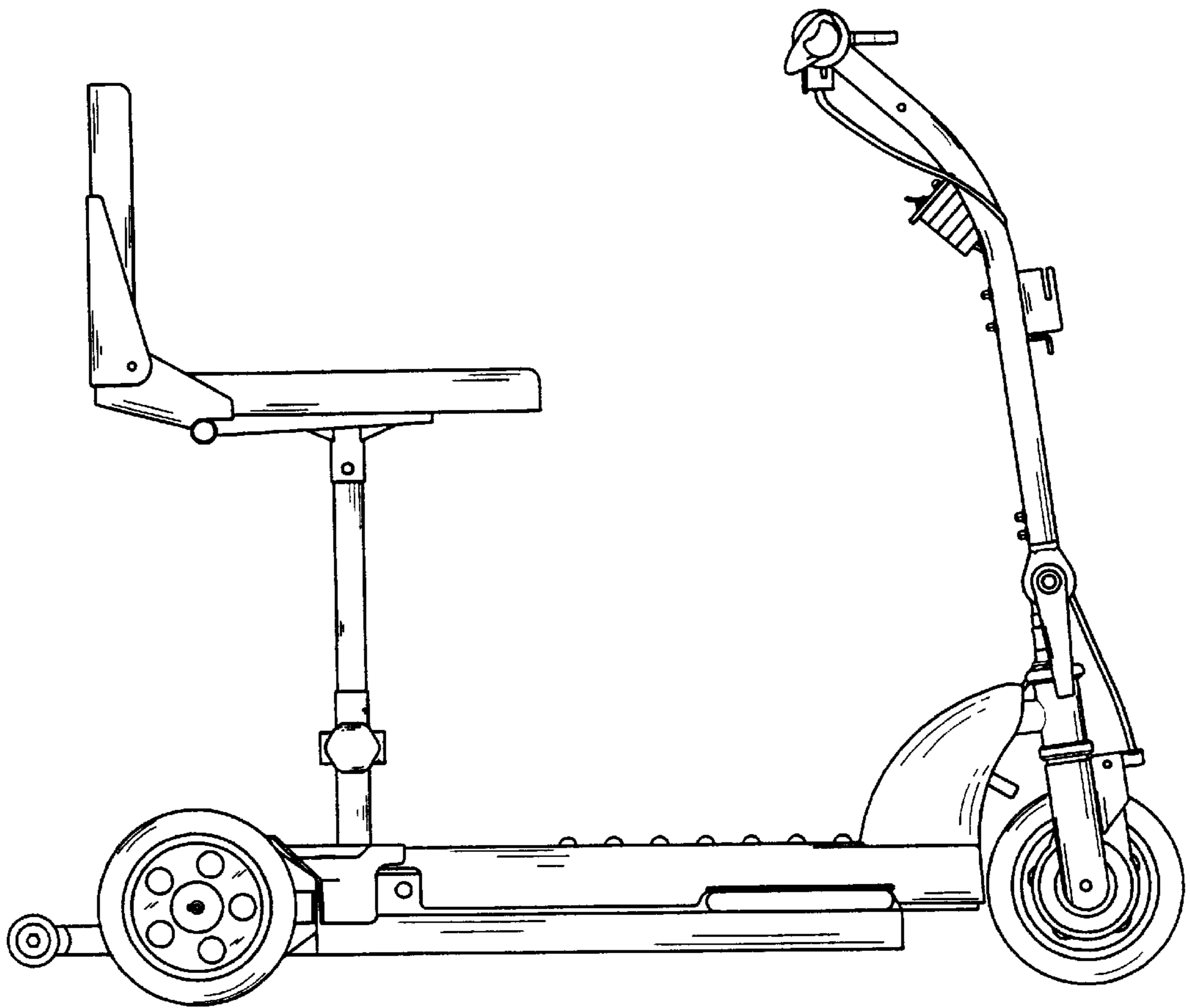


FIG. 3

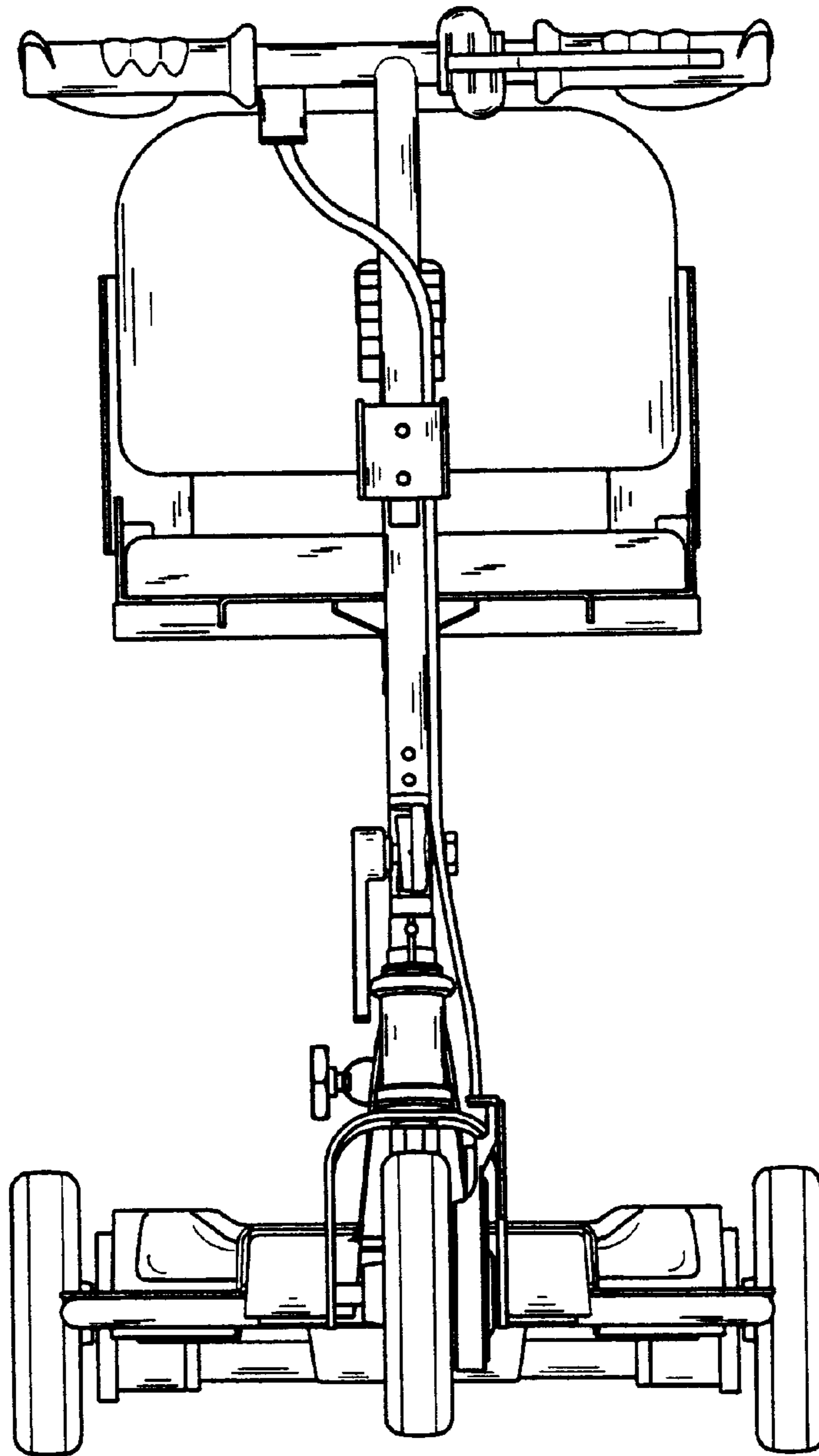


FIG. 4

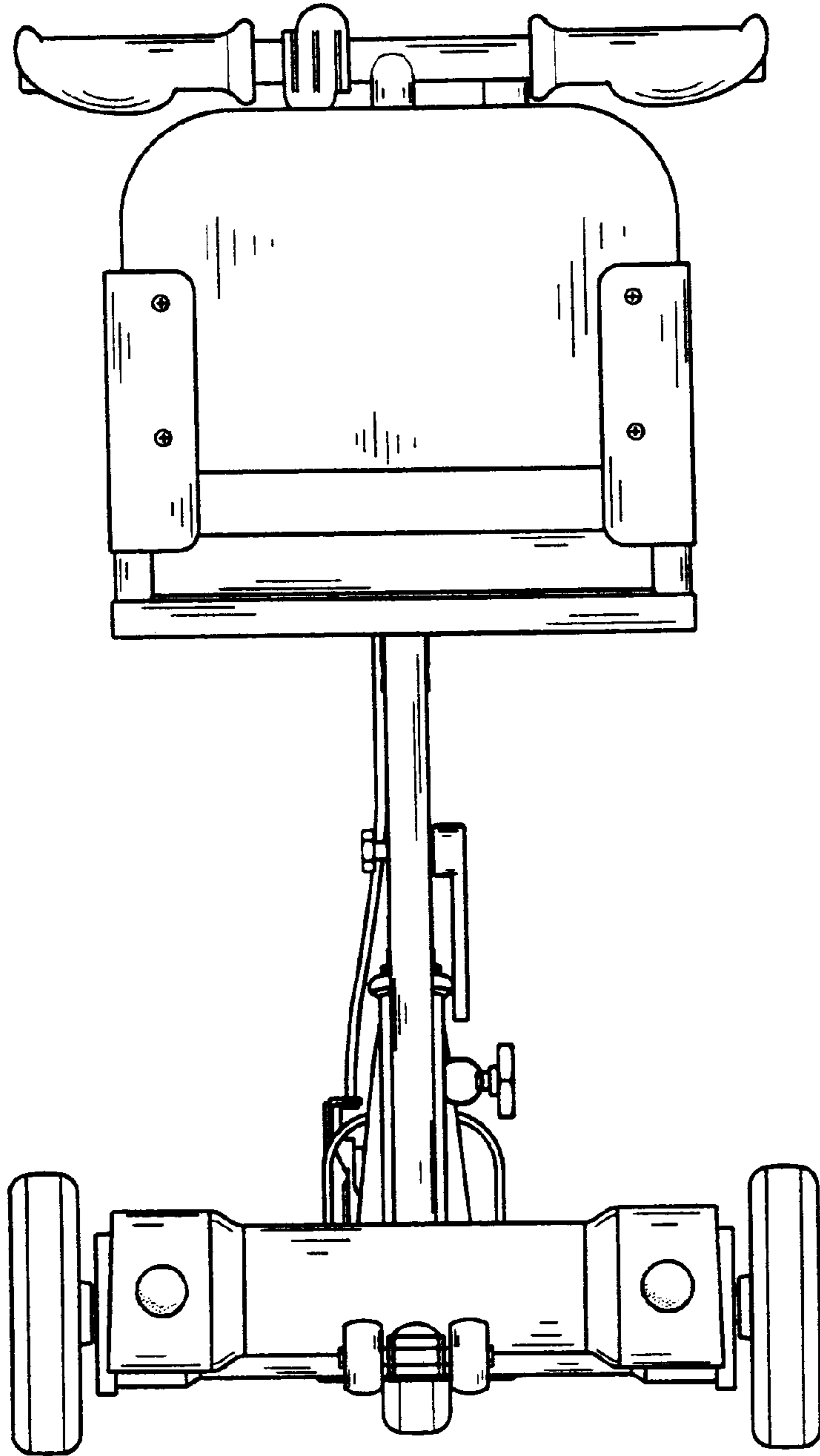


FIG. 5

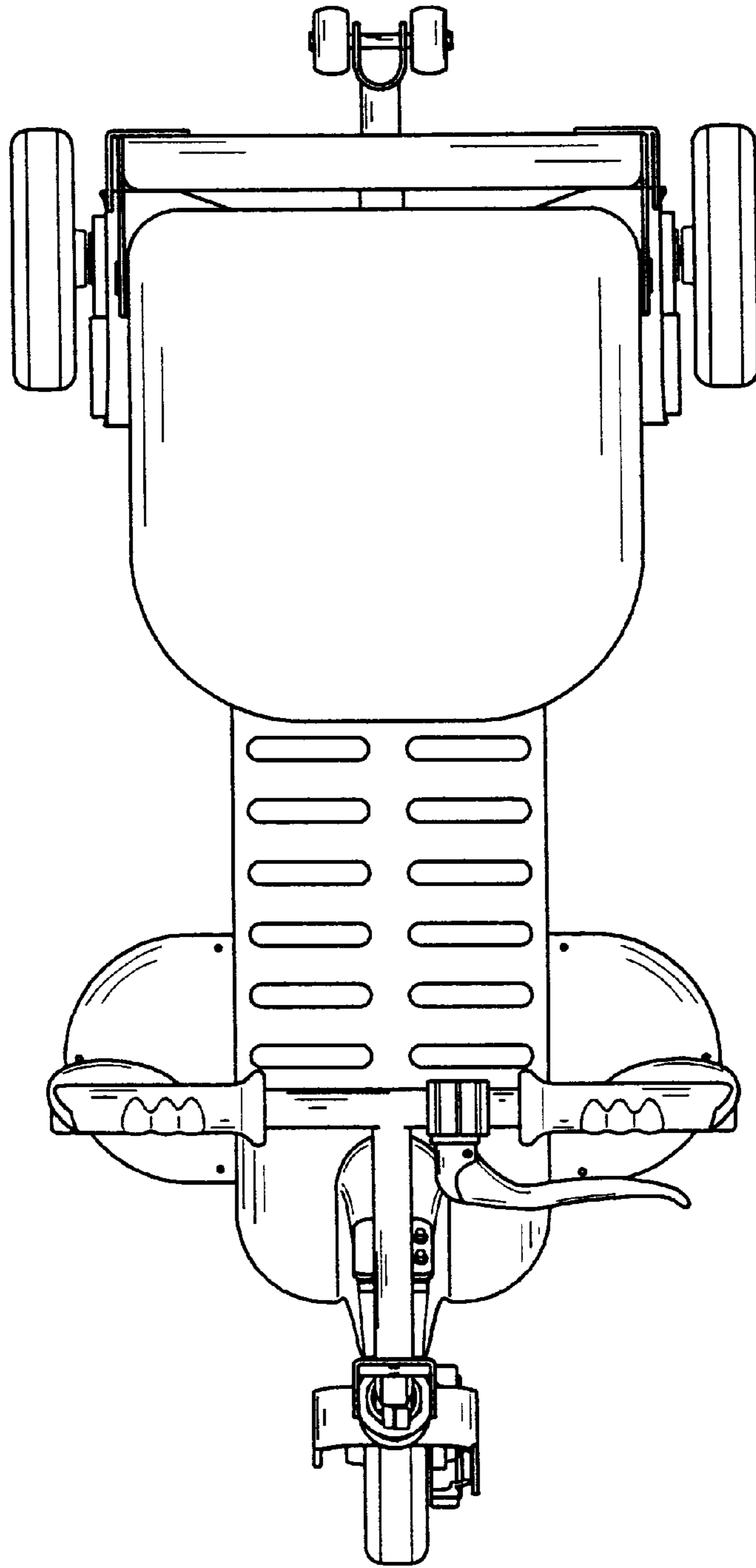


FIG. 6

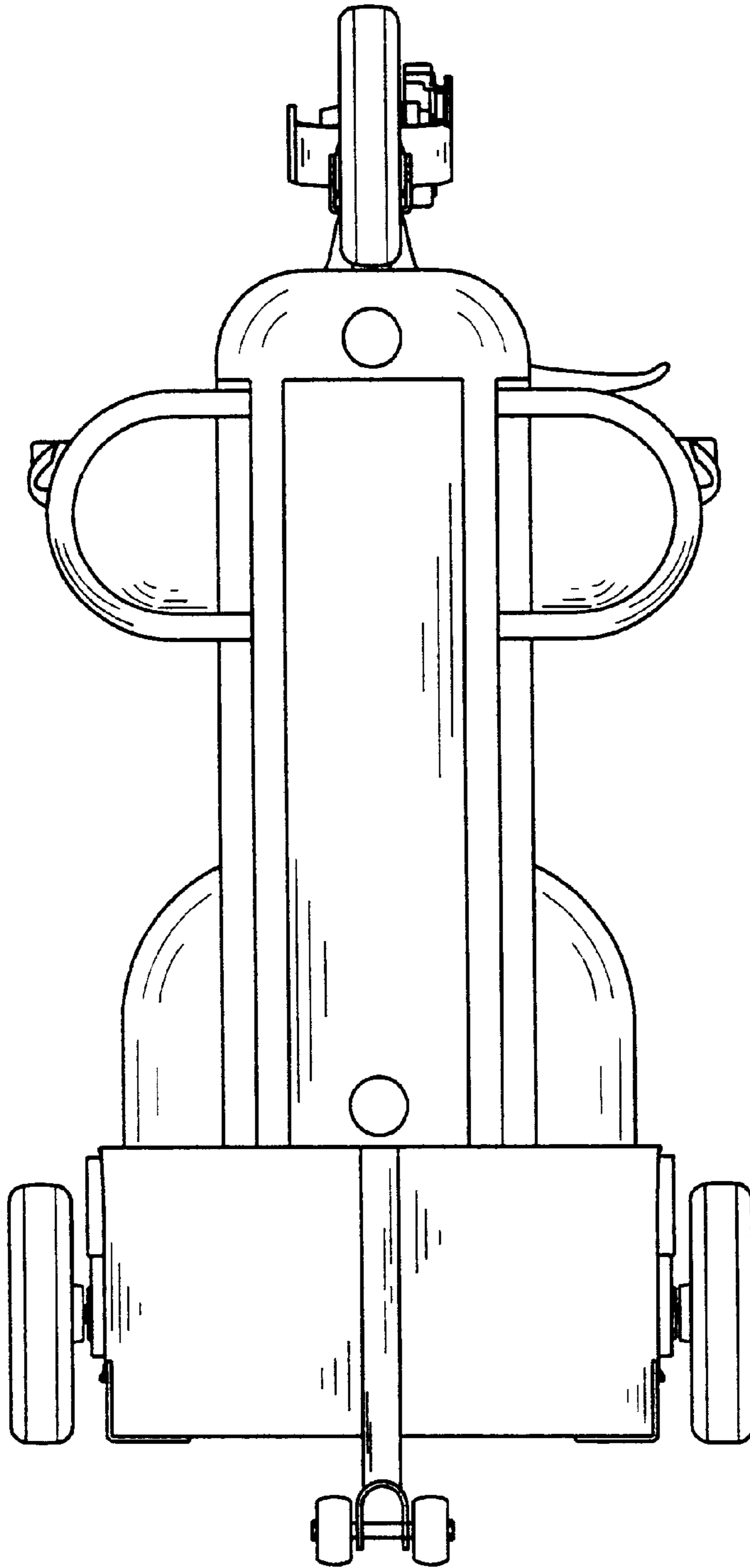


FIG. 7

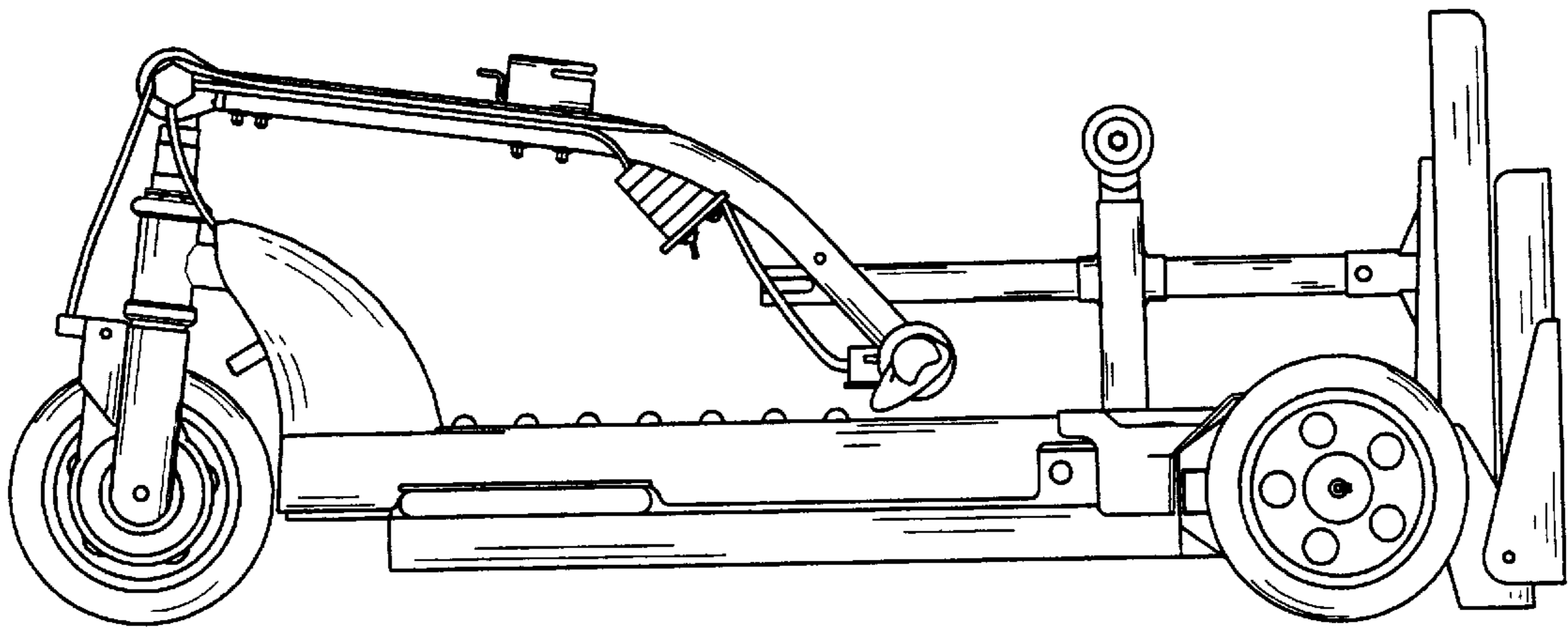


FIG. 8