



US00D428362S

United States Patent [19]
Mantle

[11] **Patent Number: Des. 428,362**

[45] **Date of Patent: ** Jul. 18, 2000**

[54] **SIDE-LOADING TRACTOR TRAILER TRUCK**

D. 414,136 9/1999 Leoni D12/97

Primary Examiner—Melody N. Brown

[76] Inventor: **Sydney Mantle**, 6 Triangle Court
Tollgate Road, London, United
Kingdom

[57] **CLAIM**

The ornamental design for a side-loading tractor trailer truck, as shown and described.

[**] Term: **14 Years**

DESCRIPTION

[21] Appl. No.: **29/109,990**

FIG. 1 is a front elevational view of the side-loading tractor trailer truck of the present invention;

[22] Filed: **Aug. 26, 1999**

FIG. 2 is a rear elevational view of the side-loading tractor trailer truck of FIG. 1;

[51] **LOC (7) Cl.** **12-08**

[52] **U.S. Cl.** **D12/97**

[58] **Field of Search** D12/97, 93, 95,
D12/96; 296/100, 183, 190; 180/89.12,
89.14, 89.16

FIG. 3 is a left side elevational view of the side-loading tractor trailer truck of FIG. 1;

FIG. 4 is a right side elevational view of the side-loading tractor trailer truck of FIG. 1;

FIG. 5 is a top plan view of the side-loading tractor trailer truck of FIG. 1; and,

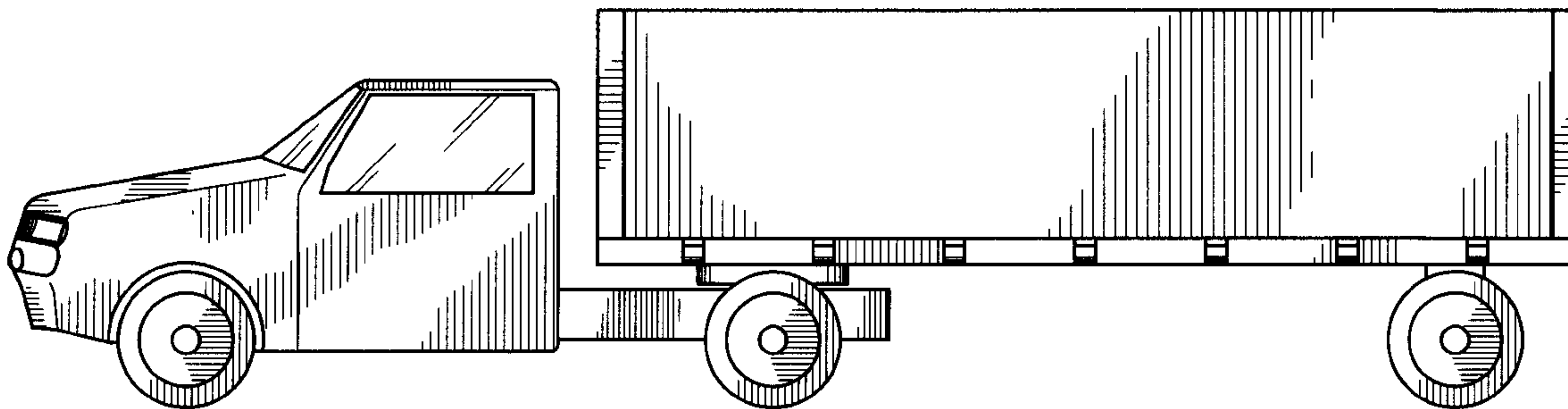
FIG. 6 is a bottom plan view of the side-loading tractor trailer truck of FIG. 1.

[56] **References Cited**

U.S. PATENT DOCUMENTS

- D. 388,024 12/1997 Clement D12/97
- D. 408,332 4/1999 Leoni D12/97
- D. 413,838 9/1999 McDaniel D12/97

1 Claim, 3 Drawing Sheets



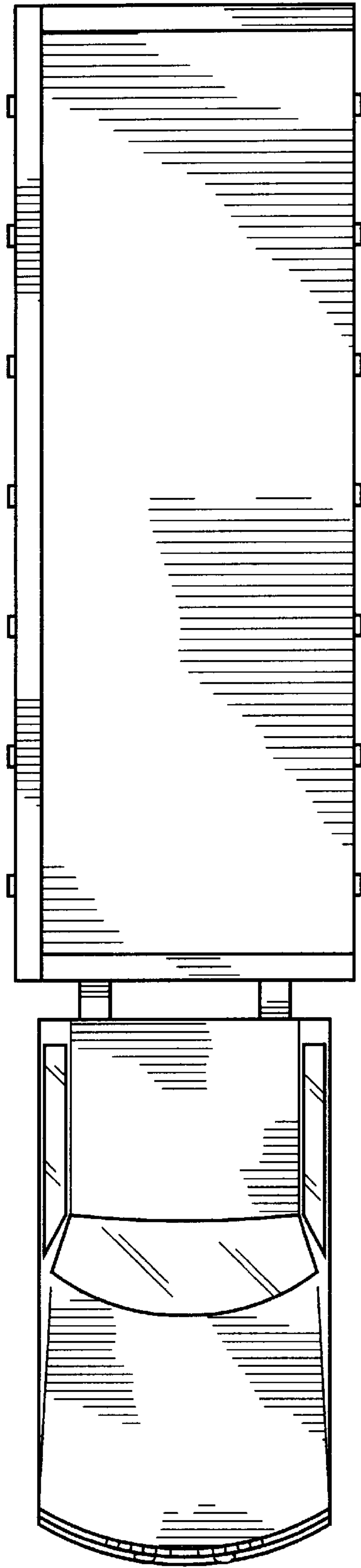


FIG. 5

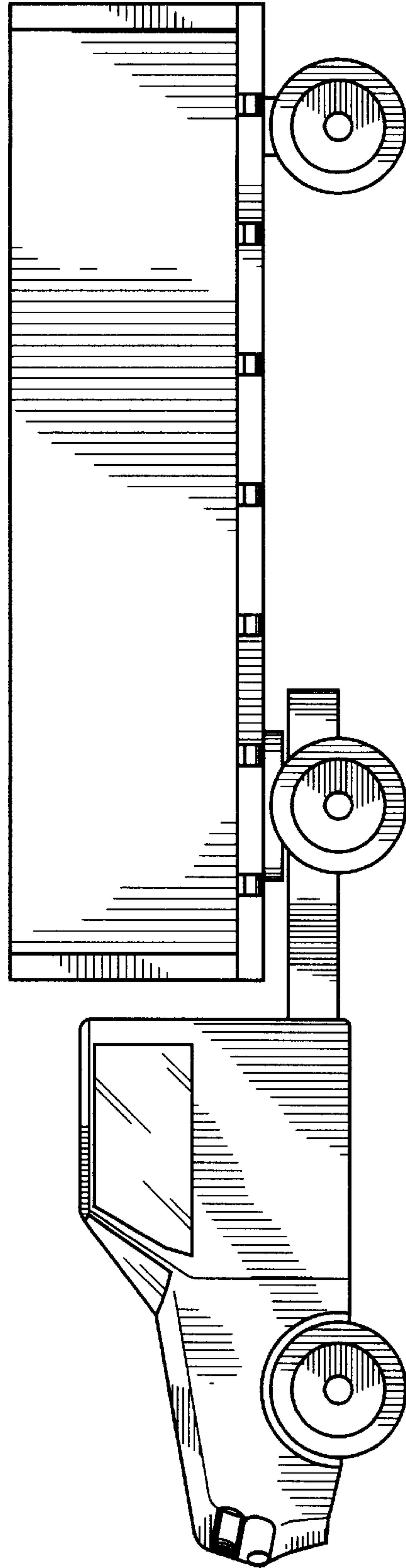


FIG. 1

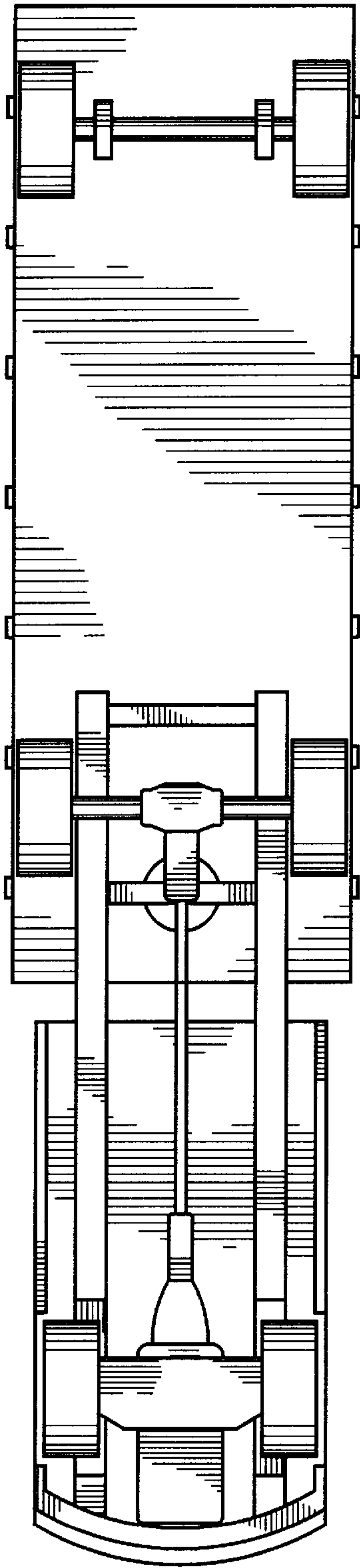


FIG. 6

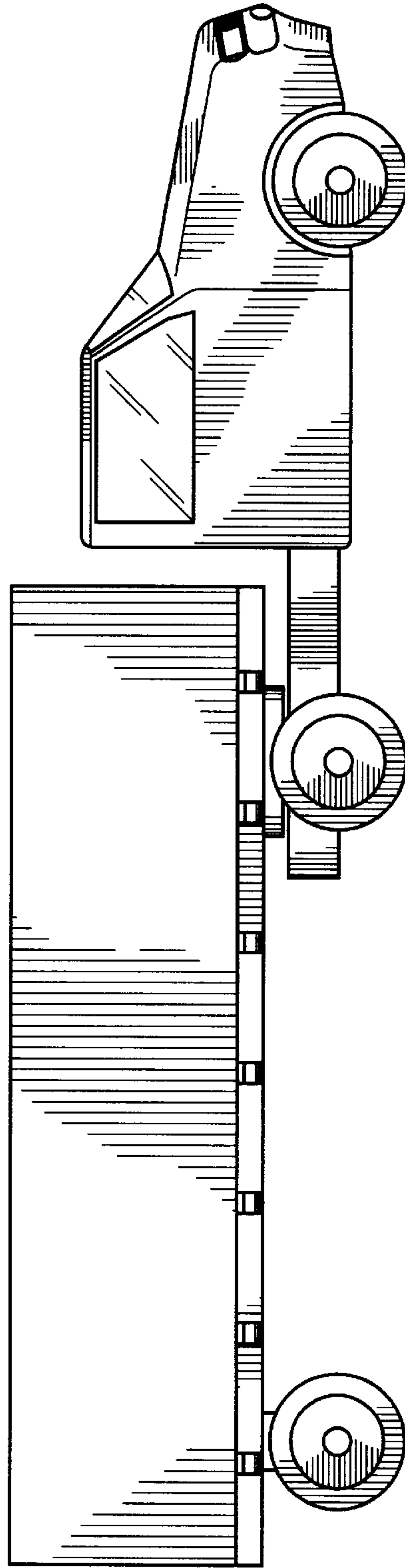


FIG. 2

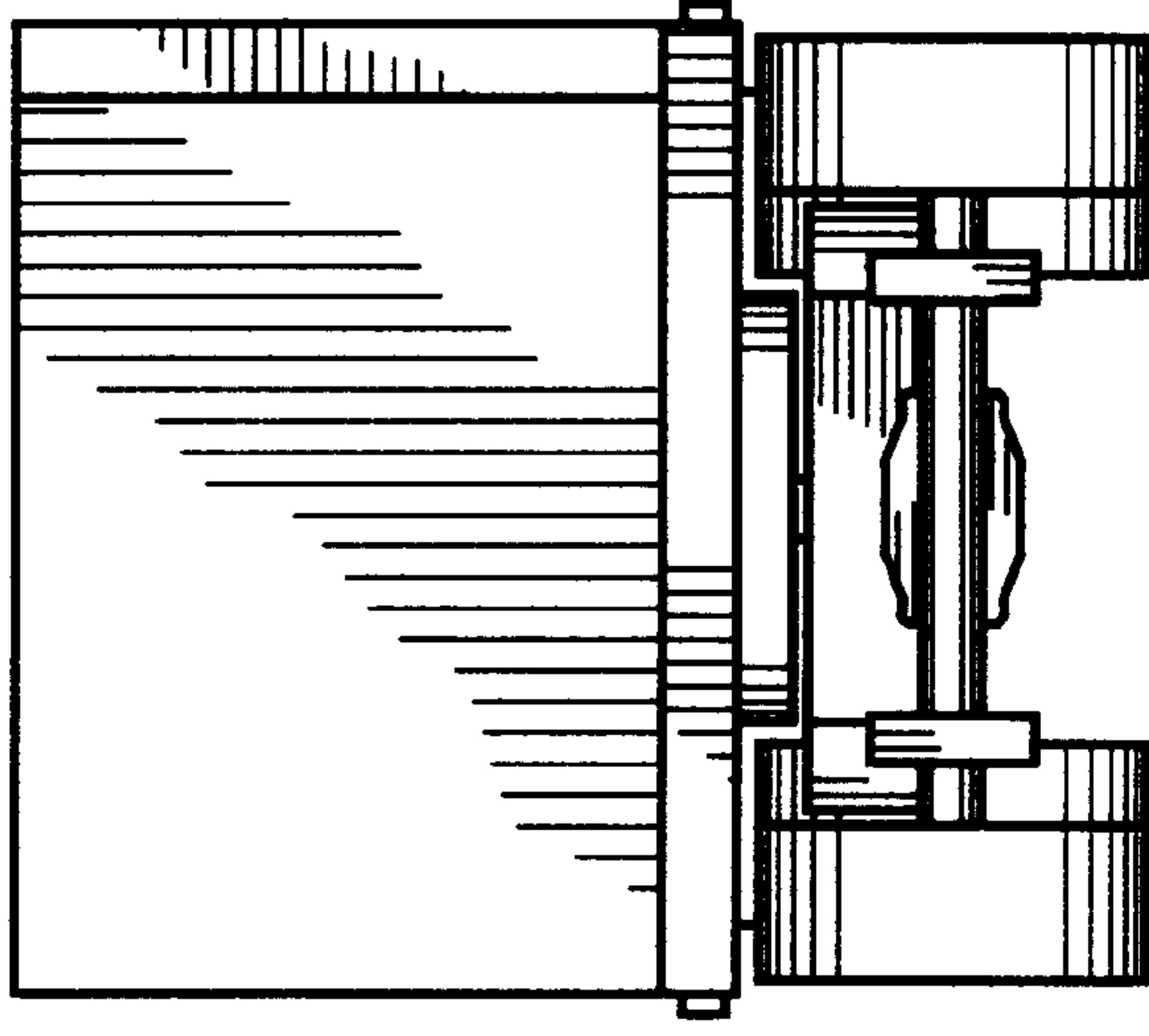


FIG. 3

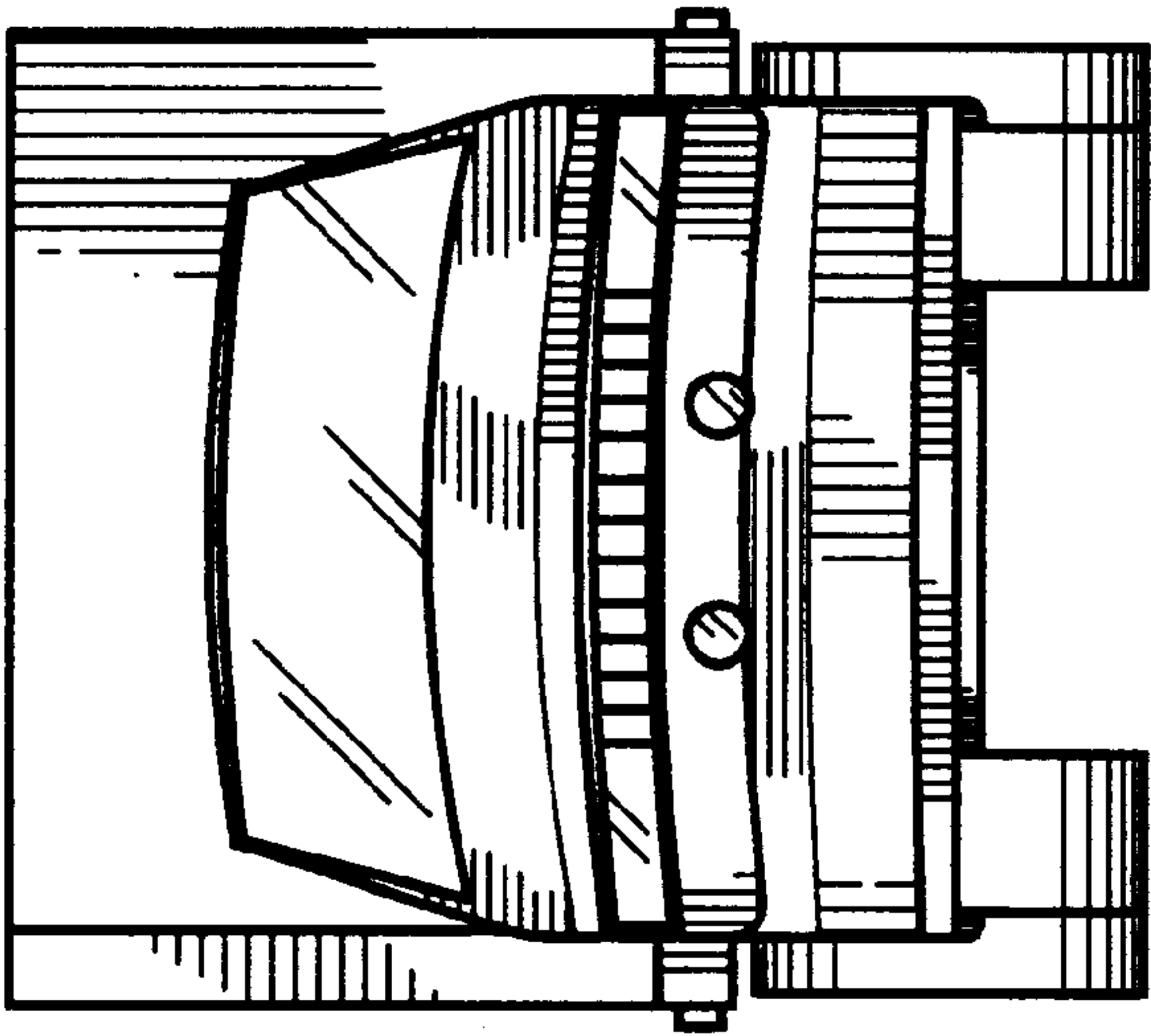


FIG. 4