



US00D428360S

United States Patent [19] Herzog-Mesrobian

[11] **Patent Number: Des. 428,360**
[45] **Date of Patent: ** Jul. 18, 2000**

[54] COVER SLEEVE

[75] Inventor: **Patricia L. Herzog-Mesrobian**, 9551 N. Wakefield Ct., Milwaukee, Wis. 53217

[73] Assignees: **Patricia L. Herzog-Mesrobian; Amy R. Seibel**, both of Milwaukee, Wis.

[**] Term: **14 Years**

[21] Appl. No.: **29/089,316**

[22] Filed: **Jun. 12, 1998**

[51] **LOC (7) Cl.** **11-02**

[52] **U.S. Cl.** **D11/164**

[58] **Field of Search** D11/164, 143, D11/152, 155; 47/72, 32, 65.7; D9/431; 220/306, 319; 53/397; 206/423; 428/36.92

[56] **References Cited**

U.S. PATENT DOCUMENTS

151,142	5/1874	Lynch	D11/152 X
D. 266,916	11/1982	Kaufmann	D11/164
D. 289,024	3/1987	Vaughn	D11/164
D. 289,982	5/1987	Weder et al.	D11/164
D. 292,182	10/1987	Weder et al.	D11/164
D. 292,183	10/1987	Weder et al.	D11/164
D. 292,184	10/1987	Weder et al.	D11/164
D. 292,185	10/1987	Weder et al.	D11/164
D. 292,186	10/1987	Weder et al.	D11/164
D. 292,187	10/1987	Weder et al.	D11/164
D. 292,188	10/1987	Weder et al.	D11/164
D. 292,189	10/1987	Weder et al.	D11/164
D. 292,190	10/1987	Weder et al.	D11/164
D. 292,191	10/1987	Weder et al.	D11/164
D. 292,561	11/1987	Weder et al.	D11/164
D. 292,562	11/1987	Weder et al.	D11/164
D. 292,563	11/1987	Weder et al.	D11/164
D. 293,222	12/1987	Weder et al.	D11/164
D. 293,223	12/1987	Weder et al.	D11/164
D. 293,224	12/1987	Weder et al.	D11/164
D. 293,304	12/1987	Weder et al.	D11/164
D. 293,305	12/1987	Weder et al.	D11/164
D. 293,306	12/1987	Weder et al.	D11/164

(List continued on next page.)

FOREIGN PATENT DOCUMENTS

199 00 755 6/1999 Germany 47/72

OTHER PUBLICATIONS

Haeger Pottery Catalog, p. 8, Vase #3005.
Architectural Supplements, Inc., p. 21, Wood Cube Planter.

Primary Examiner—Jeffrey Asch
Attorney, Agent, or Firm—Andrus, Scales, Starke & Sawall

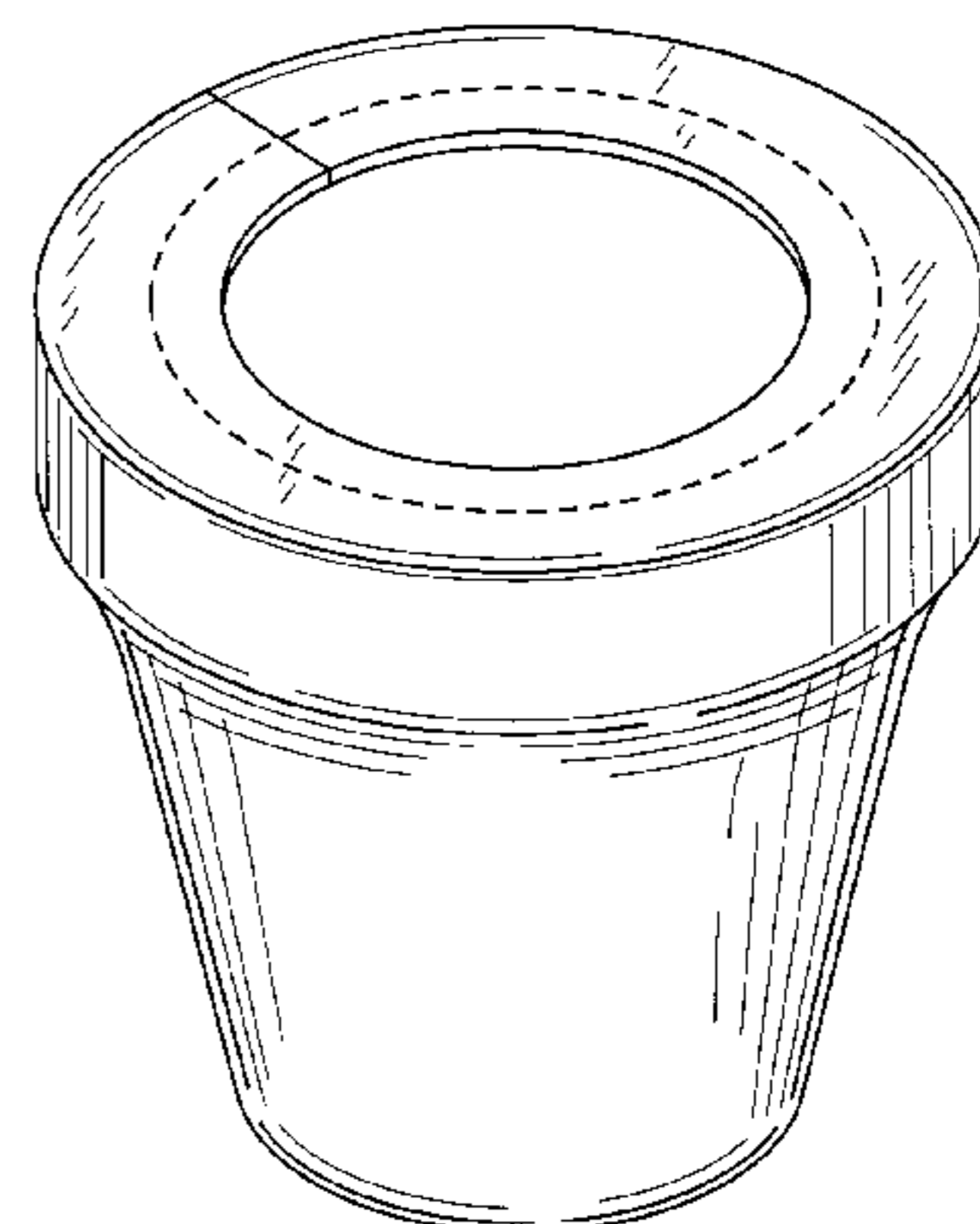
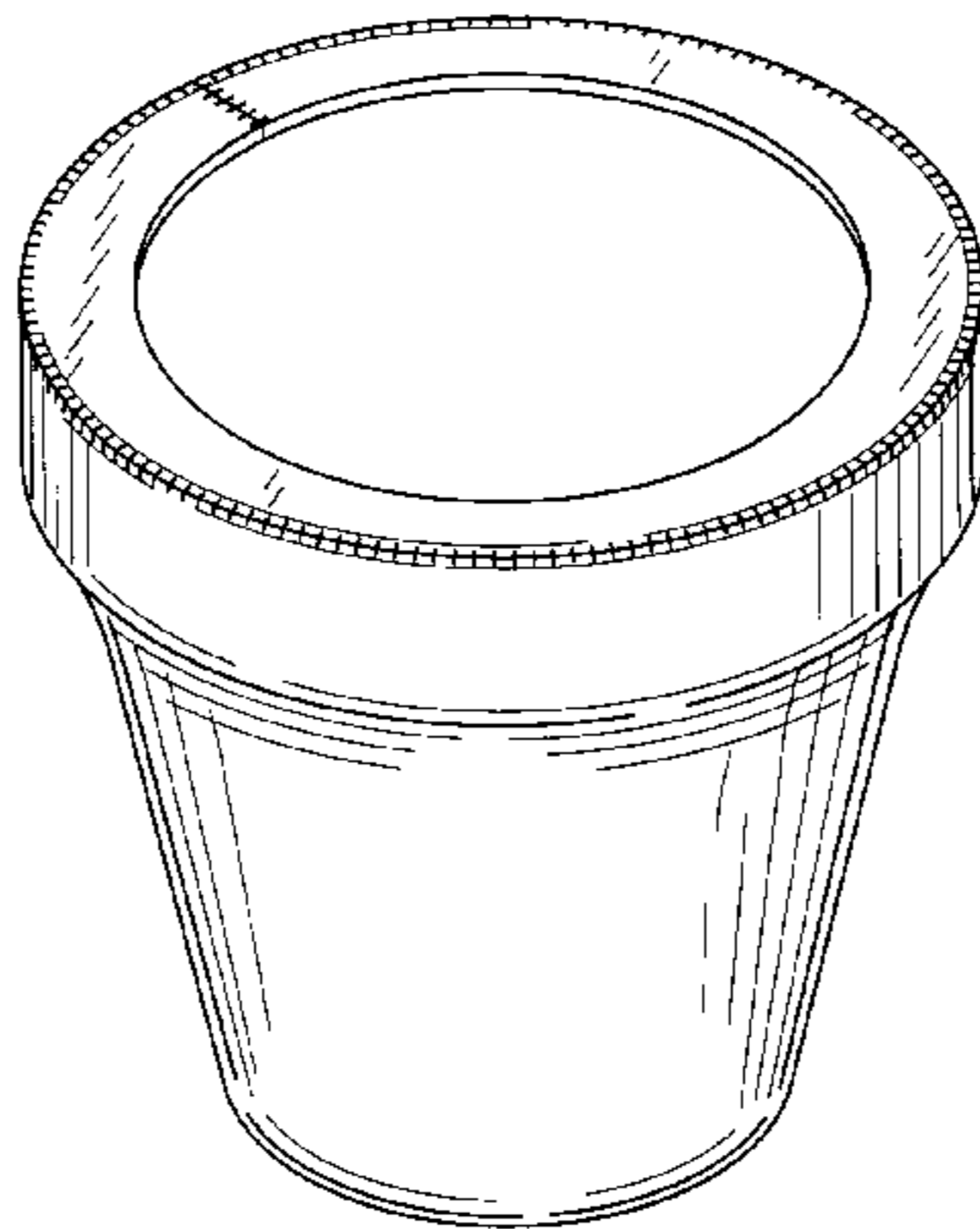
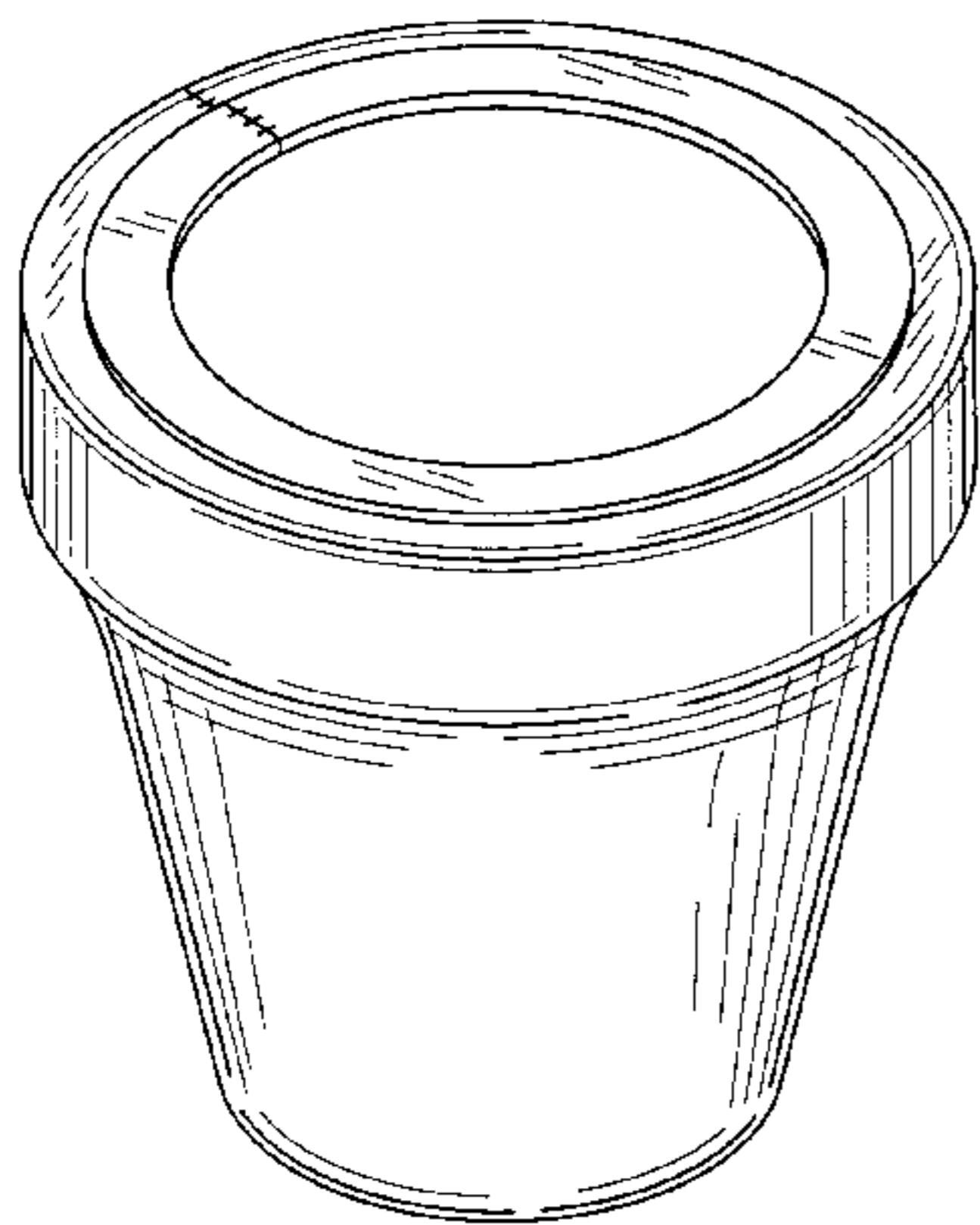
[57] **CLAIM**

The ornamental design for a cover sleeve, as shown and described.

DESCRIPTION

FIG. 1 is an isometric view of a cover sleeve according to my design;
 FIG. 2 is a front elevation view of the design of FIG. 1;
 FIG. 3 is a rear elevation view of the design of FIG. 1;
 FIG. 4 is a top elevation view of the design of FIG. 1;
 FIG. 5 is a bottom elevation view of the design of FIG. 1;
 FIG. 6 is an isometric view illustrating another embodiment of a cover sleeve according to my design;
 FIG. 7 is a front elevation view of the design of FIG. 6;
 FIG. 8 is a rear elevation view of the design of FIG. 6;
 FIG. 9 is a top elevation view of the design of FIG. 6;
 FIG. 10 is a bottom elevation view of the design of FIG. 6;
 FIG. 11 is an isometric view illustrating another embodiment of a cover sleeve according to my design;
 FIG. 12 is a front elevation view of the design of FIG. 11;
 FIG. 13 is a rear elevation view of the design of FIG. 11;
 FIG. 14 is a top elevation view of the design of FIG. 11;
 FIG. 15 is a bottom elevation view of the design of FIG. 11;
 FIG. 16 is an isometric view illustrating another embodiment of a cover sleeve according to my design;
 FIG. 17 is a front elevation view of the design of FIG. 16;
 FIG. 18 is a rear elevation view of the design of FIG. 16;
 FIG. 19 is a top elevation view of the design of FIG. 16; and,
 FIG. 20 is a bottom elevation view of the design of FIG. 16.
 The interior of the article does not form a part of the claimed design. The dashed lines in FIGS. 16 and 19 represent stitching.

1 Claim, 8 Drawing Sheets



U.S. PATENT DOCUMENTS					
			2,302,259	11/1942	Rothfuss 47/72
			2,355,559	8/1944	Renner 229/116.5
D. 293,307	12/1987	Weder et al.	2,440,569	4/1948	Baldwin .
D. 293,308	12/1987	Weder et al.	2,606,106	8/1952	Albertson .
D. 293,774	1/1988	Weder et al.	2,884,741	5/1959	Lange .
D. 293,775	1/1988	Weder et al.	3,001,753	9/1961	Smith D11/143
D. 296,535	7/1988	Weder et al.	3,961,443	6/1976	Insalaco .
D. 297,422	8/1988	Weder et al.	4,031,663	6/1977	Brunk D11/143 X
D. 298,017	10/1988	Weder et al.	4,300,312	11/1981	Weder et al. .
D. 300,911	5/1989	Allen D11/152 X	4,395,845	8/1983	Markowitz .
D. 320,765	10/1991	Sypien D11/164	4,594,211	6/1986	Mohnhaupt .
D. 326,246	5/1992	Weder D11/152	4,733,521	3/1988	Weder et al. .
D. 326,627	6/1992	Quinlan D11/152	4,771,573	9/1988	Stengel .
D. 326,830	6/1992	Vaughn D11/143	4,773,182	9/1988	Weder et al. .
D. 327,234	6/1992	Vaughn D11/143	4,795,601	1/1989	Cheng .
D. 327,236	6/1992	Weder D11/152	4,835,834	6/1989	Weder .
D. 359,932	7/1995	Weder et al.	4,897,031	1/1990	Weder et al. .
D. 360,167	7/1995	Weder et al.	4,901,423	2/1990	Weder .
D. 363,450	10/1995	Weder et al.	4,914,860	4/1990	Richardson .
D. 365,043	12/1995	Bonds D11/164	4,950,216	8/1990	Weder .
D. 375,918	11/1996	Weder et al.	5,781,981	7/1998	Weder et al. 29/450
1,486,705	3/1924	Walker 47/65.7	5,924,241	7/1999	Hodge 47/72
1,856,179	5/1932	Wells 47/72			
2,209,778	7/1940	Krasowski .			

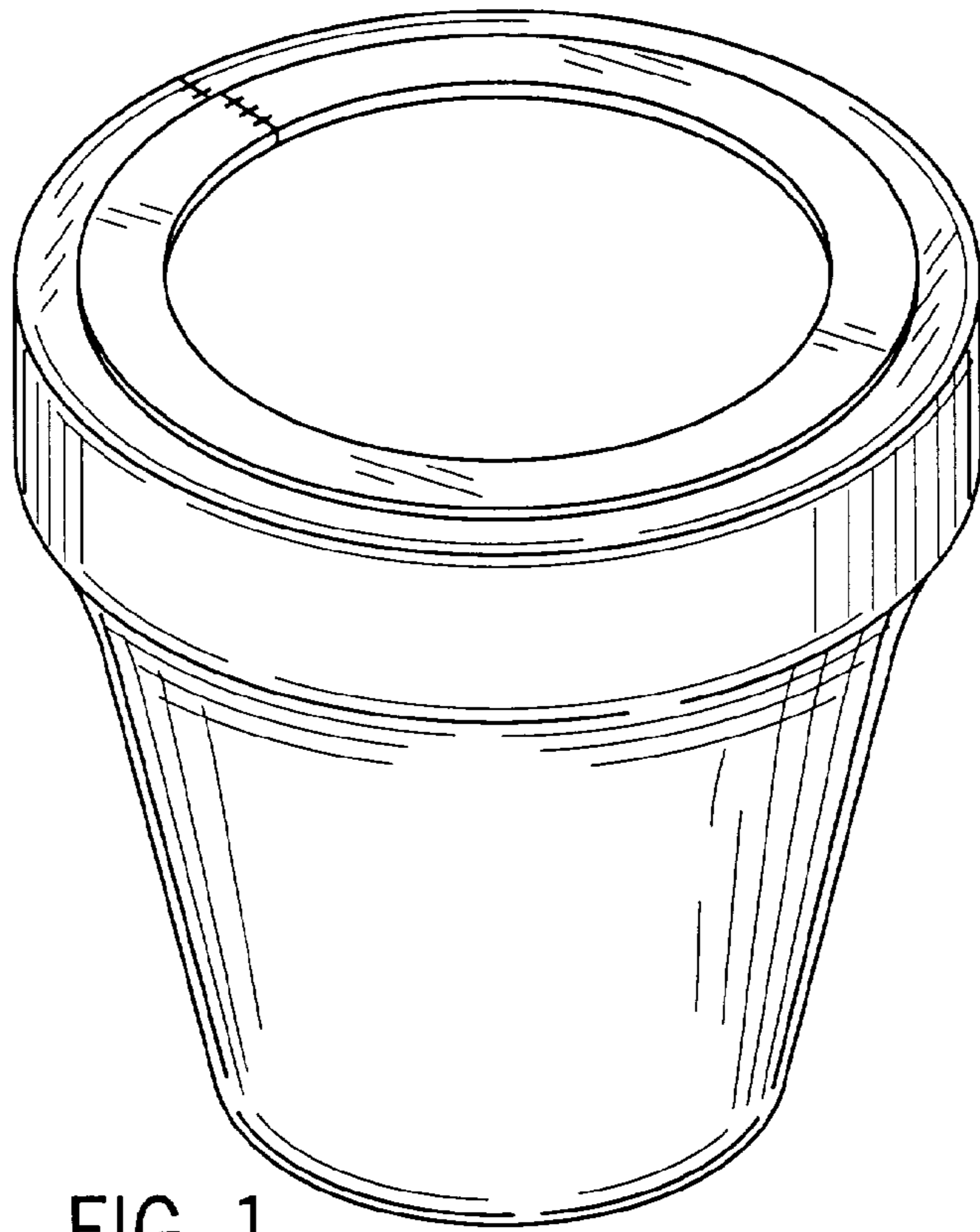


FIG. 1

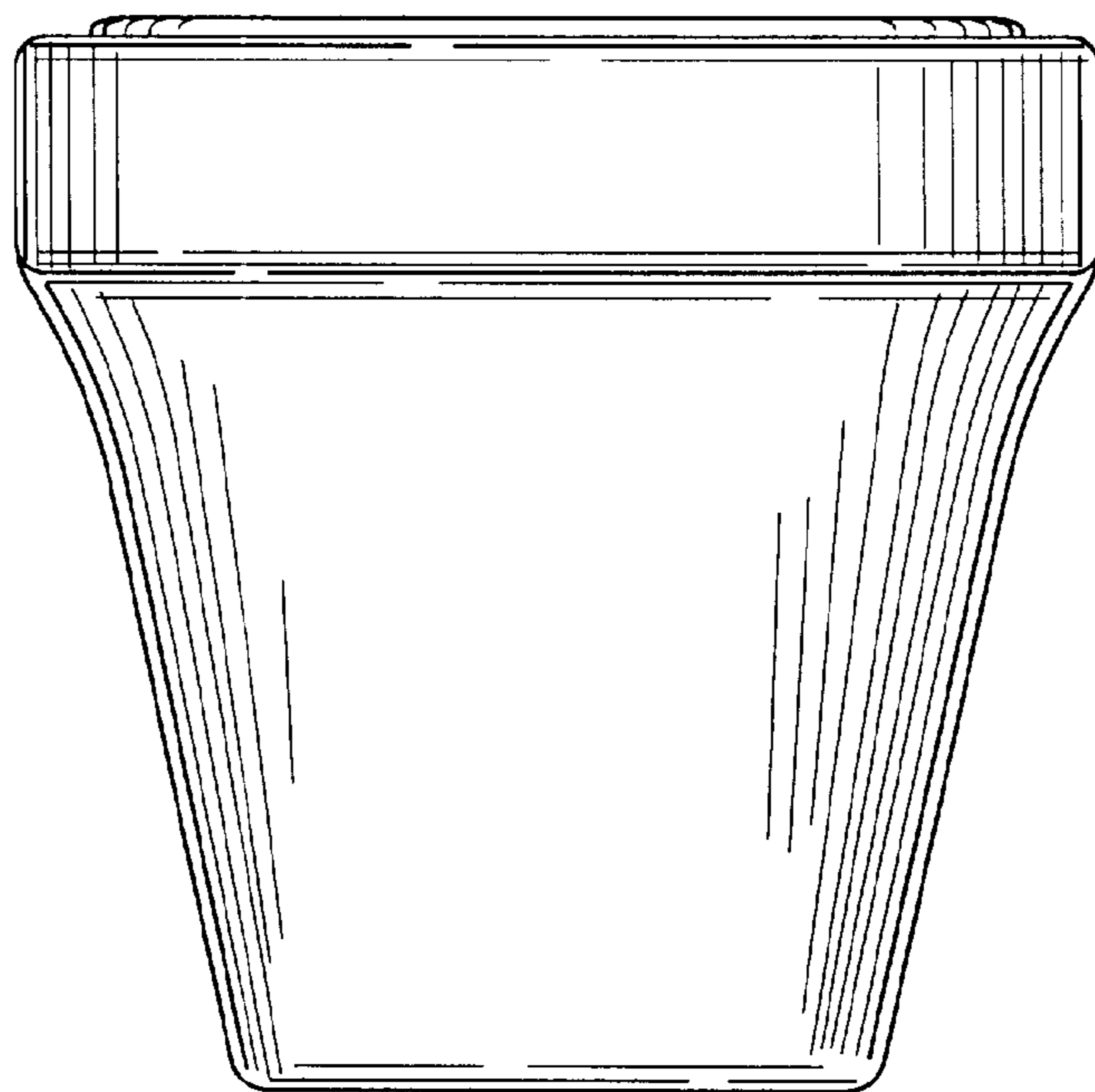


FIG. 2

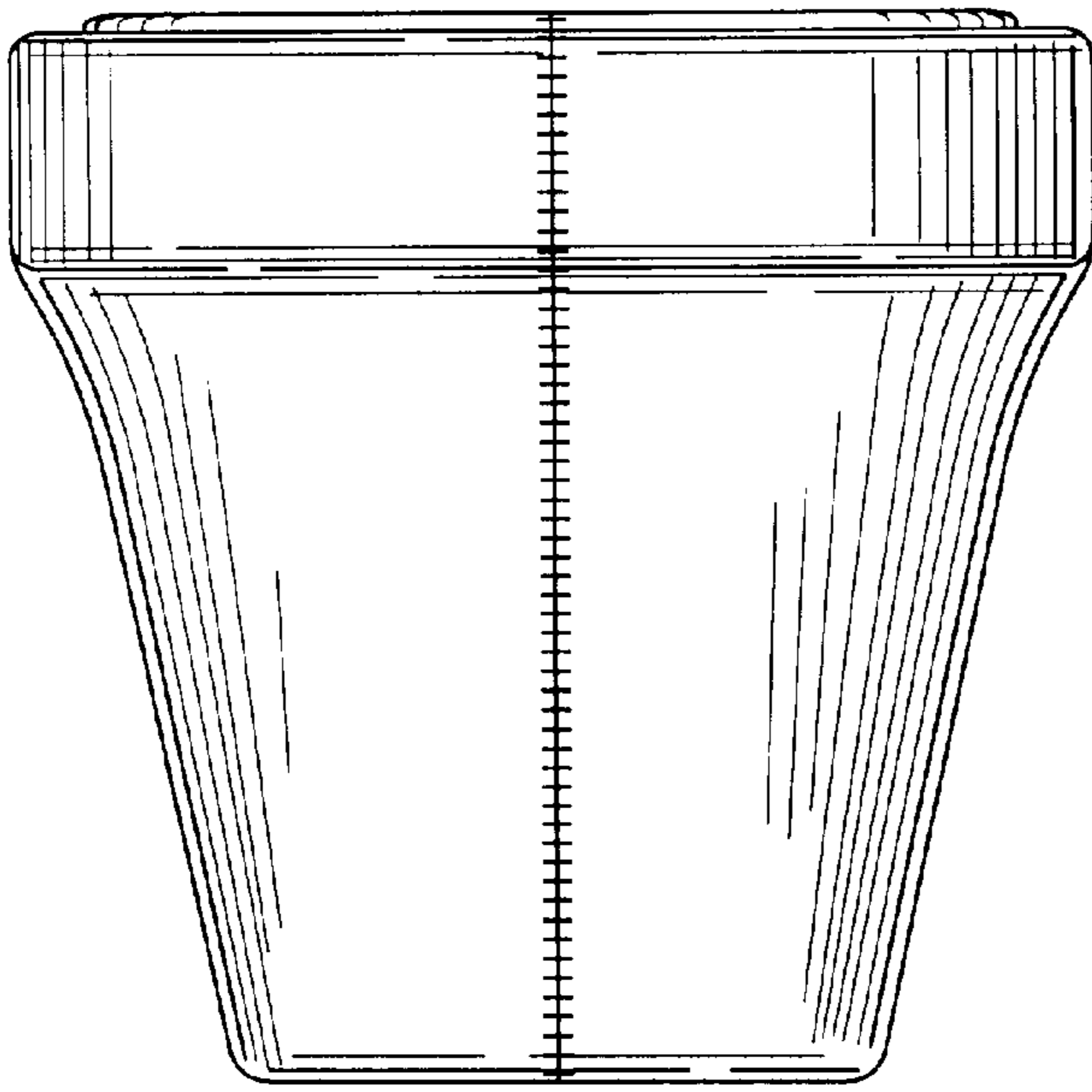


FIG. 3

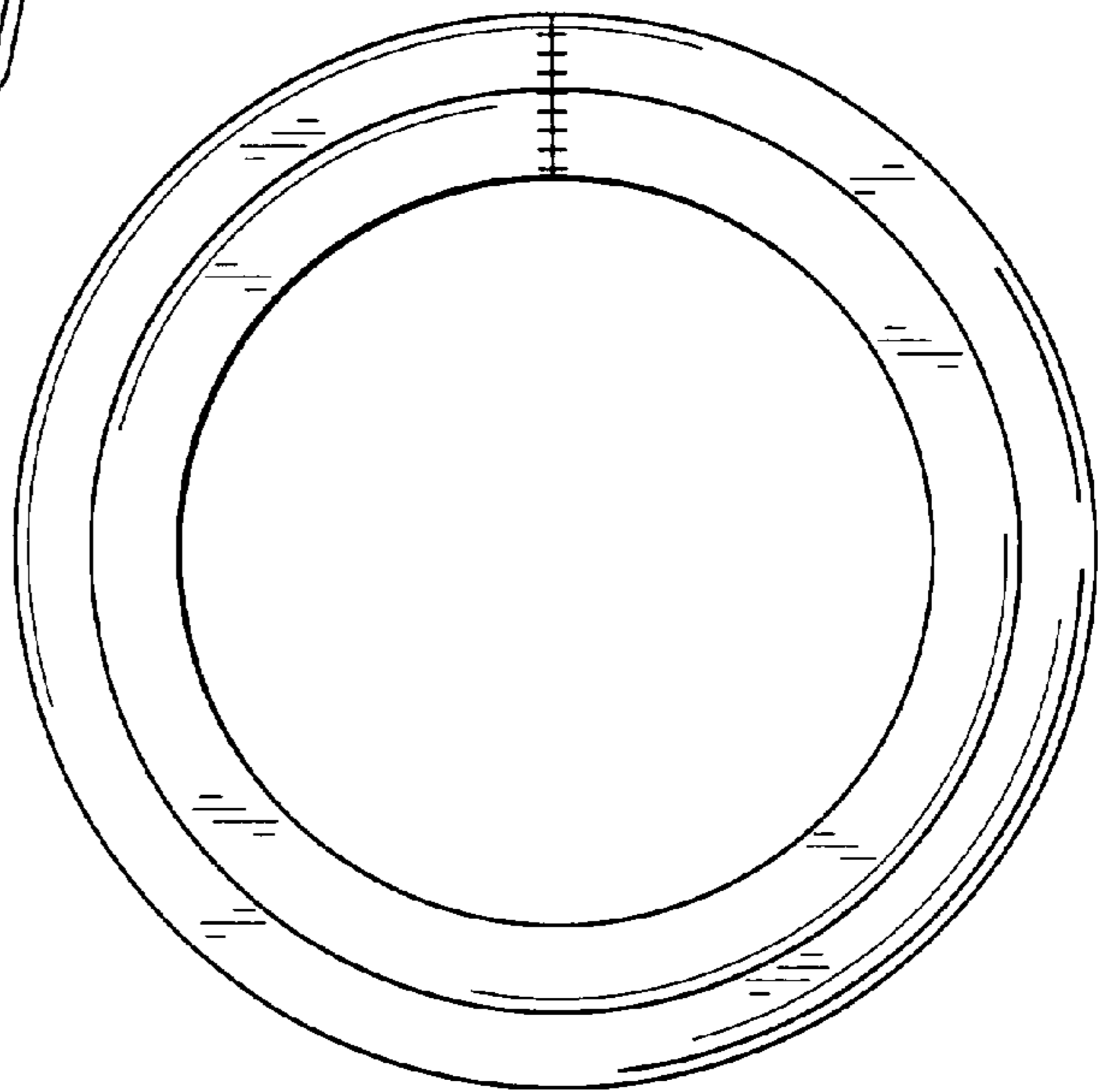


FIG. 4

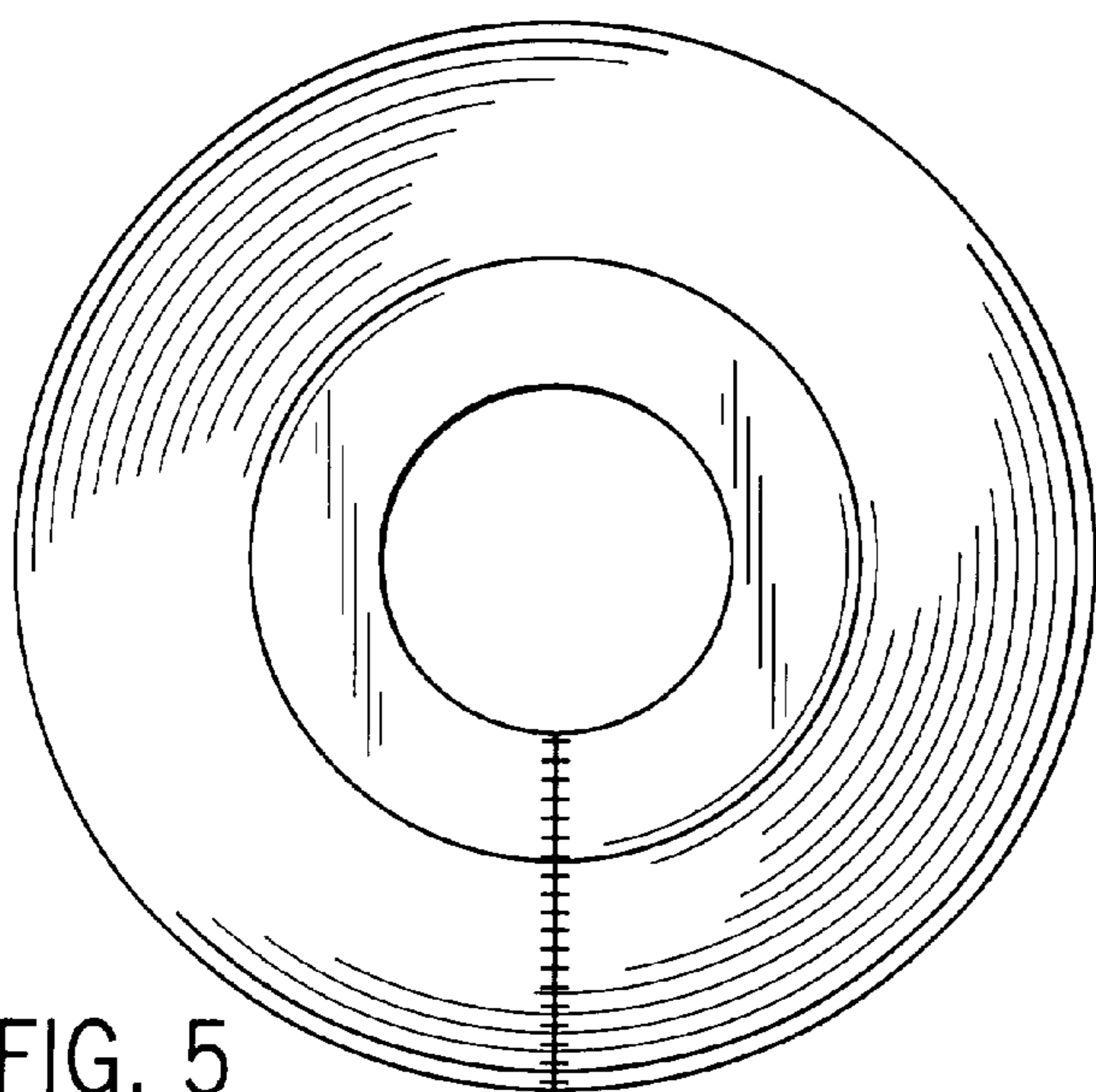


FIG. 5

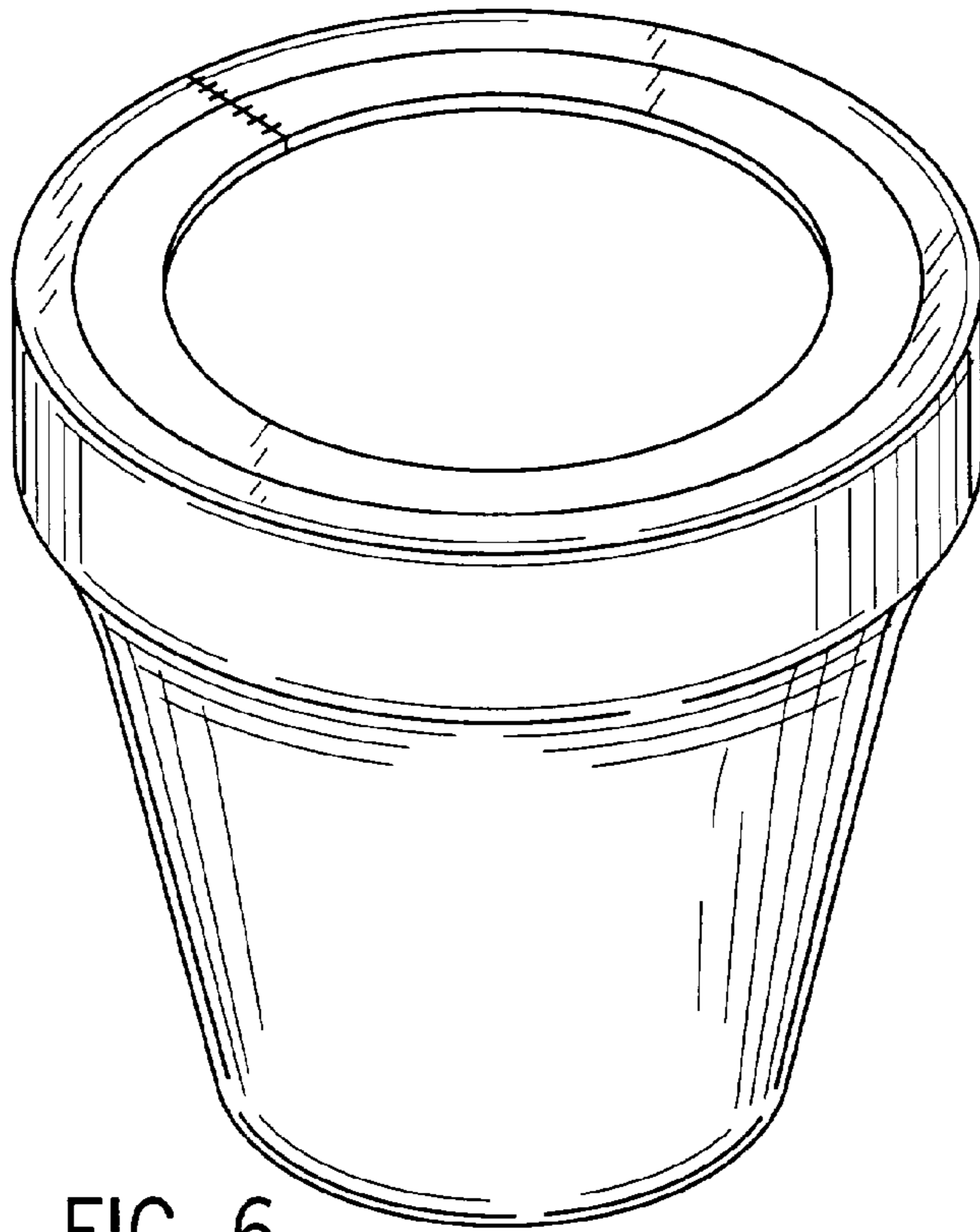


FIG. 6

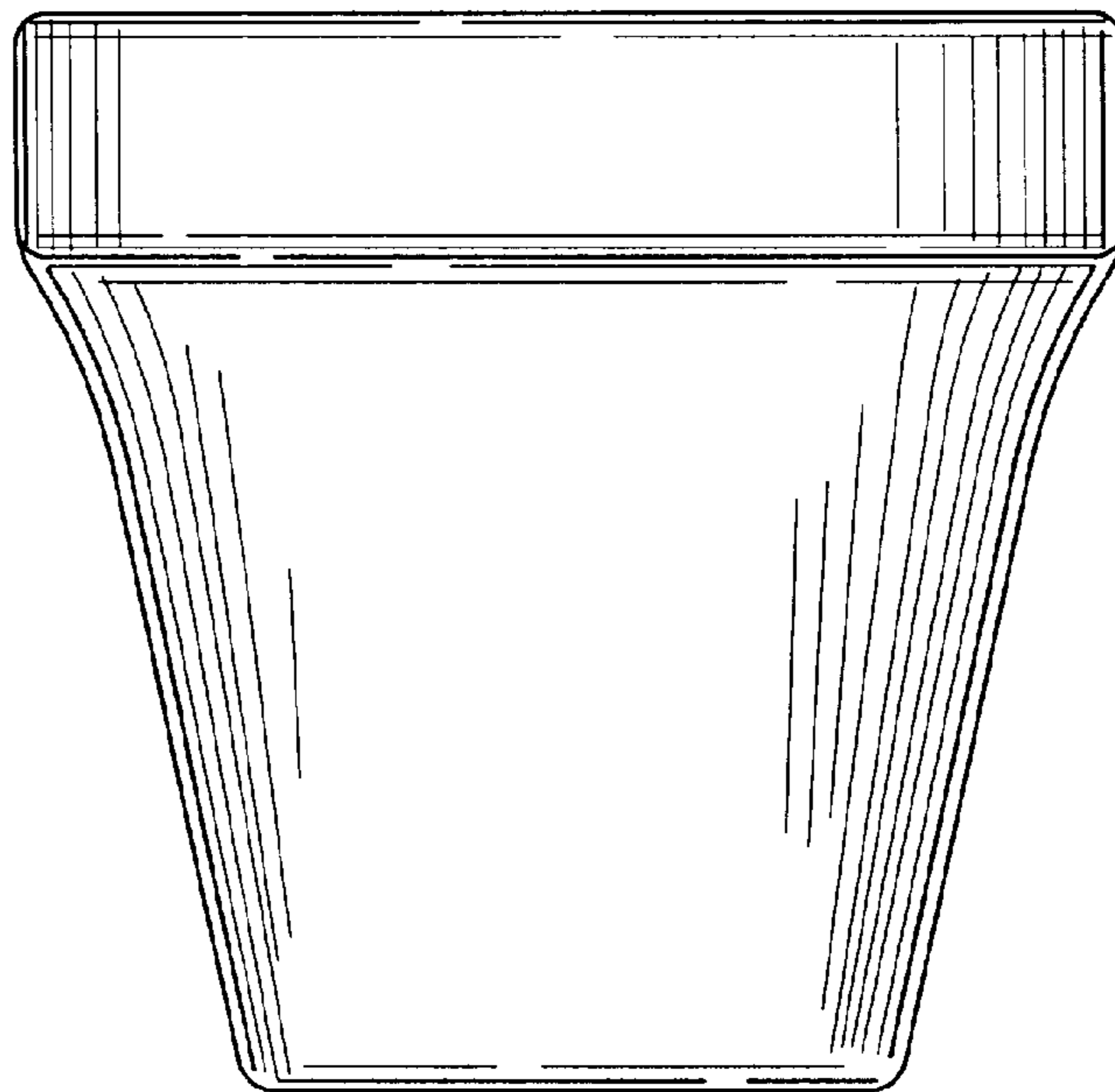


FIG. 7

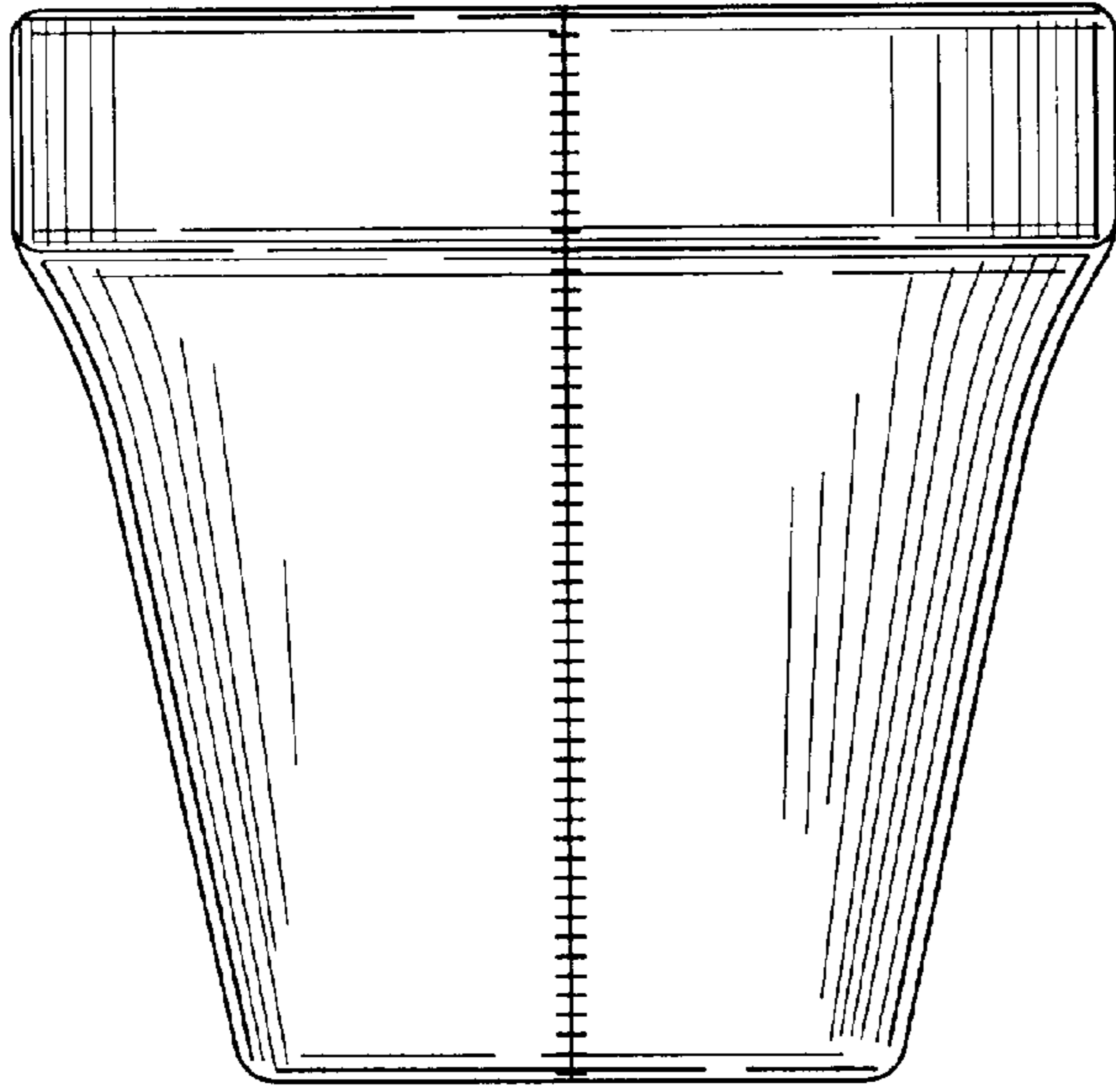


FIG. 8

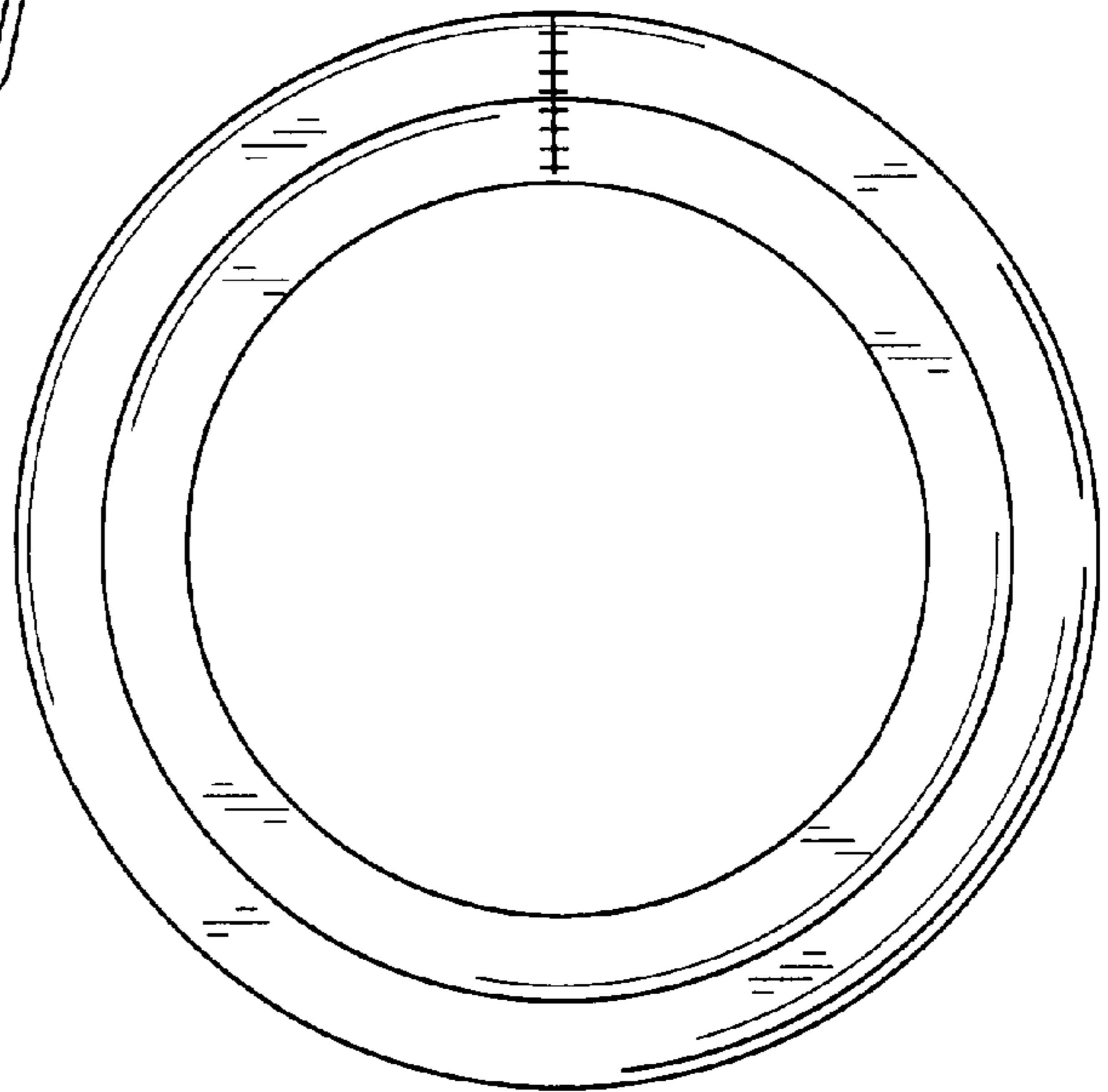


FIG. 9

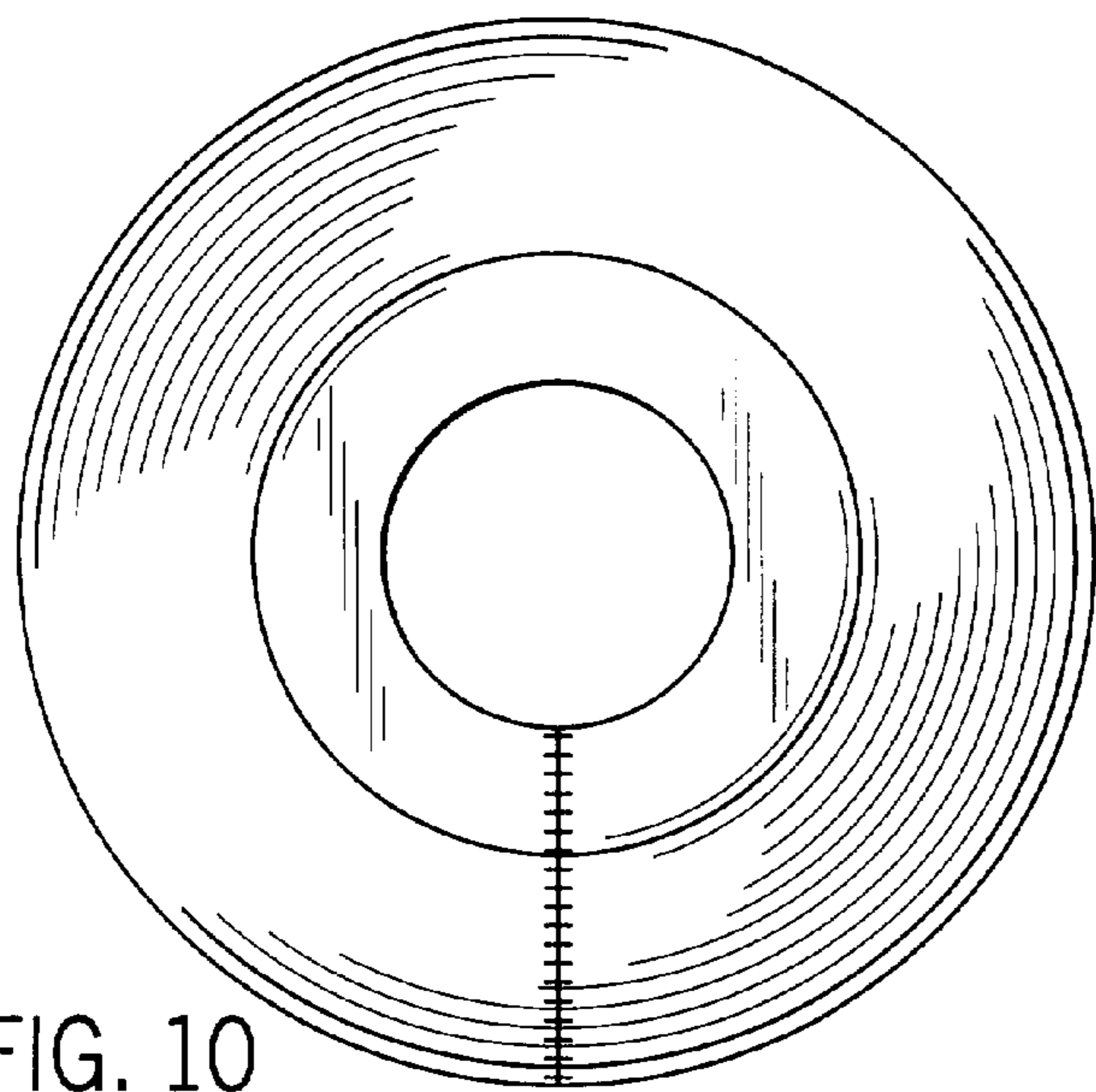


FIG. 10

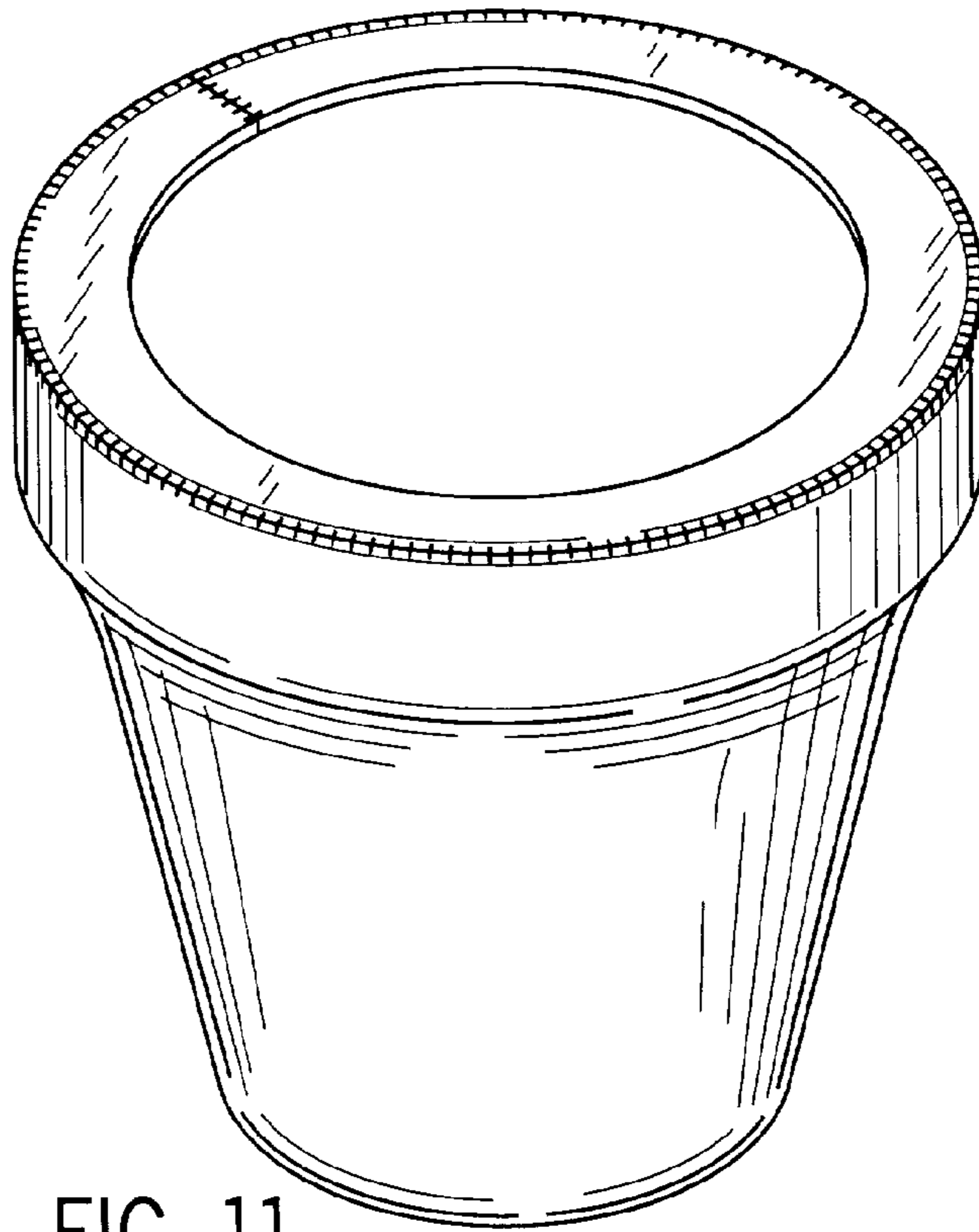


FIG. 11

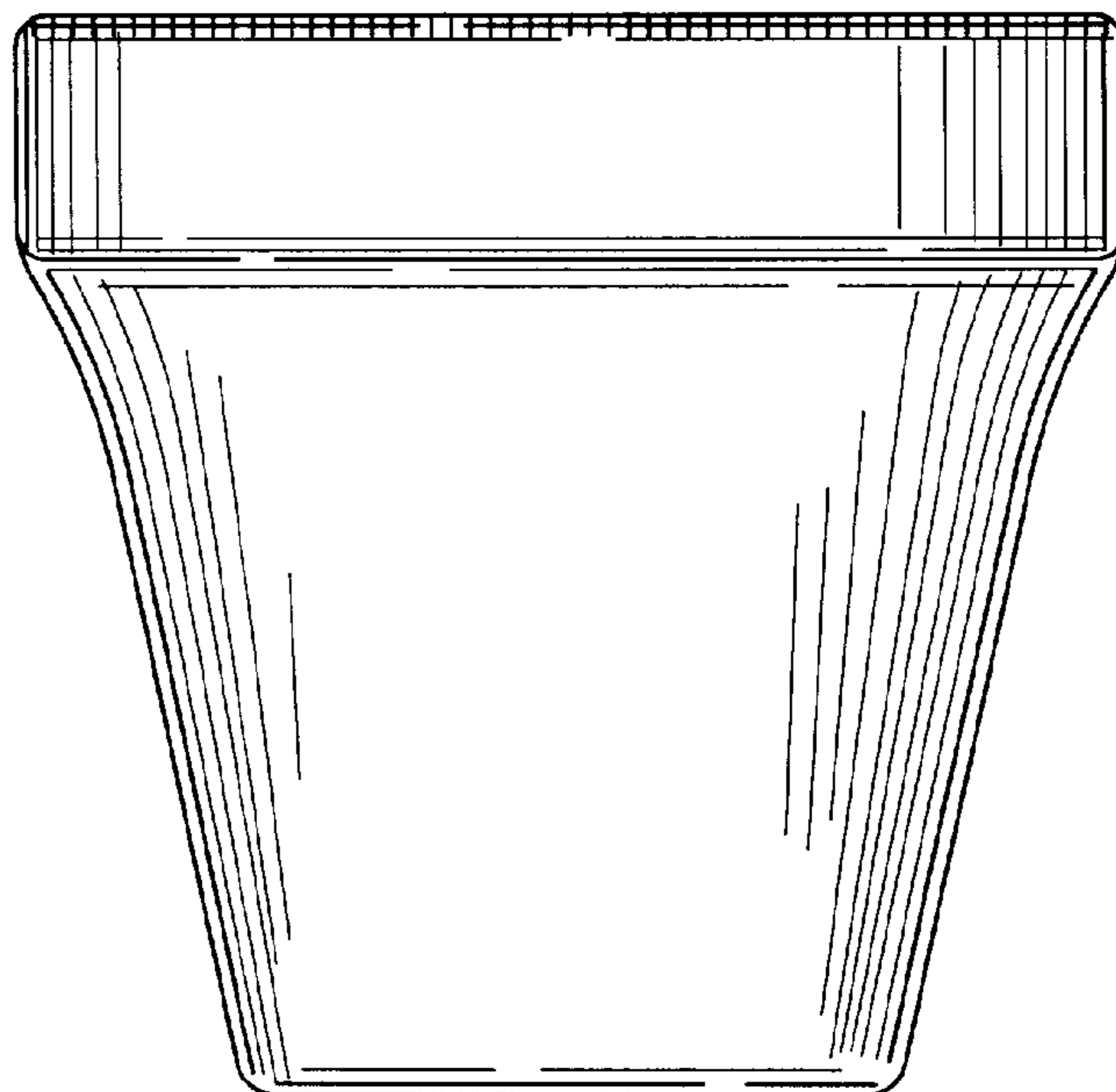


FIG. 12

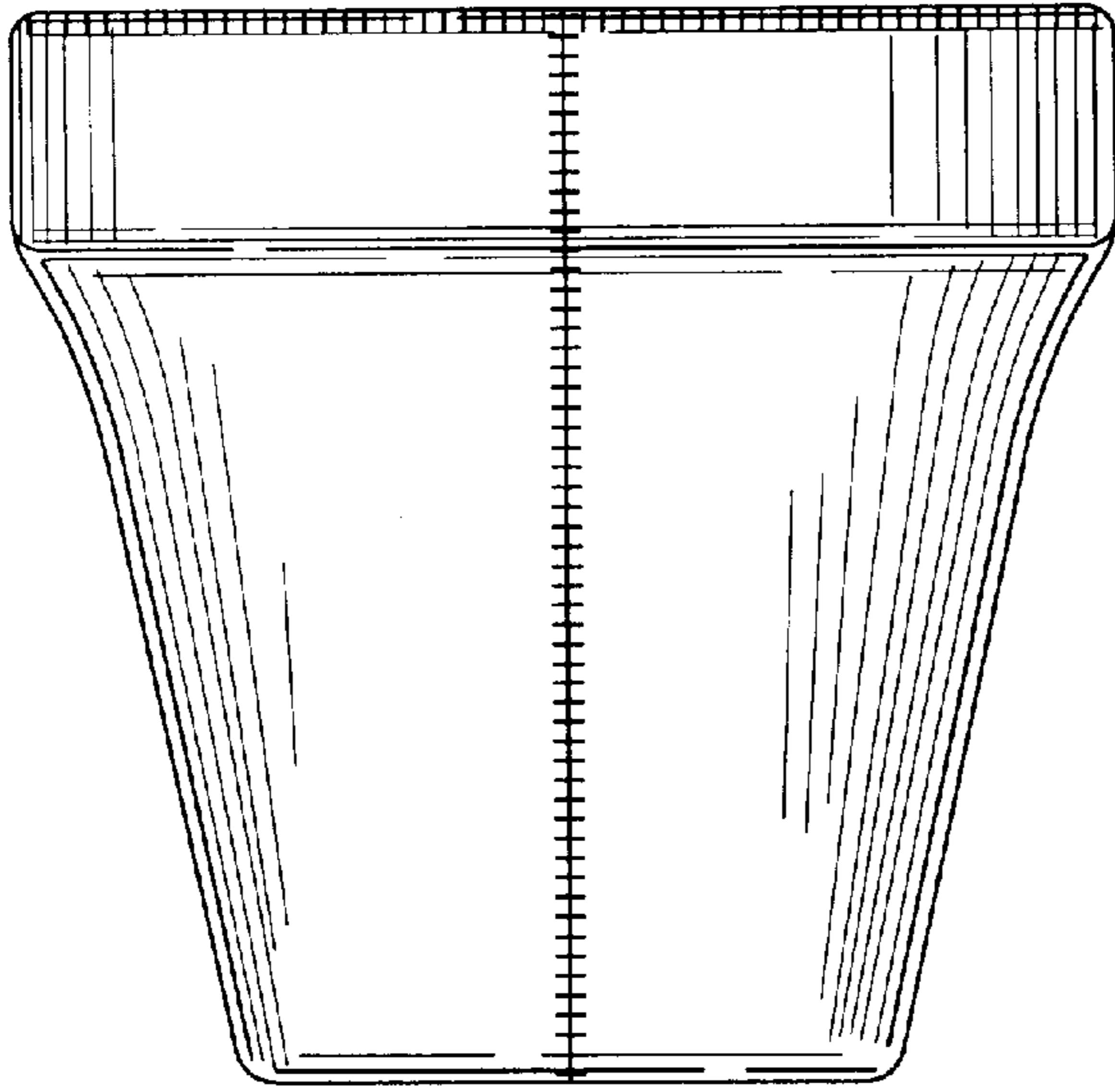


FIG. 13

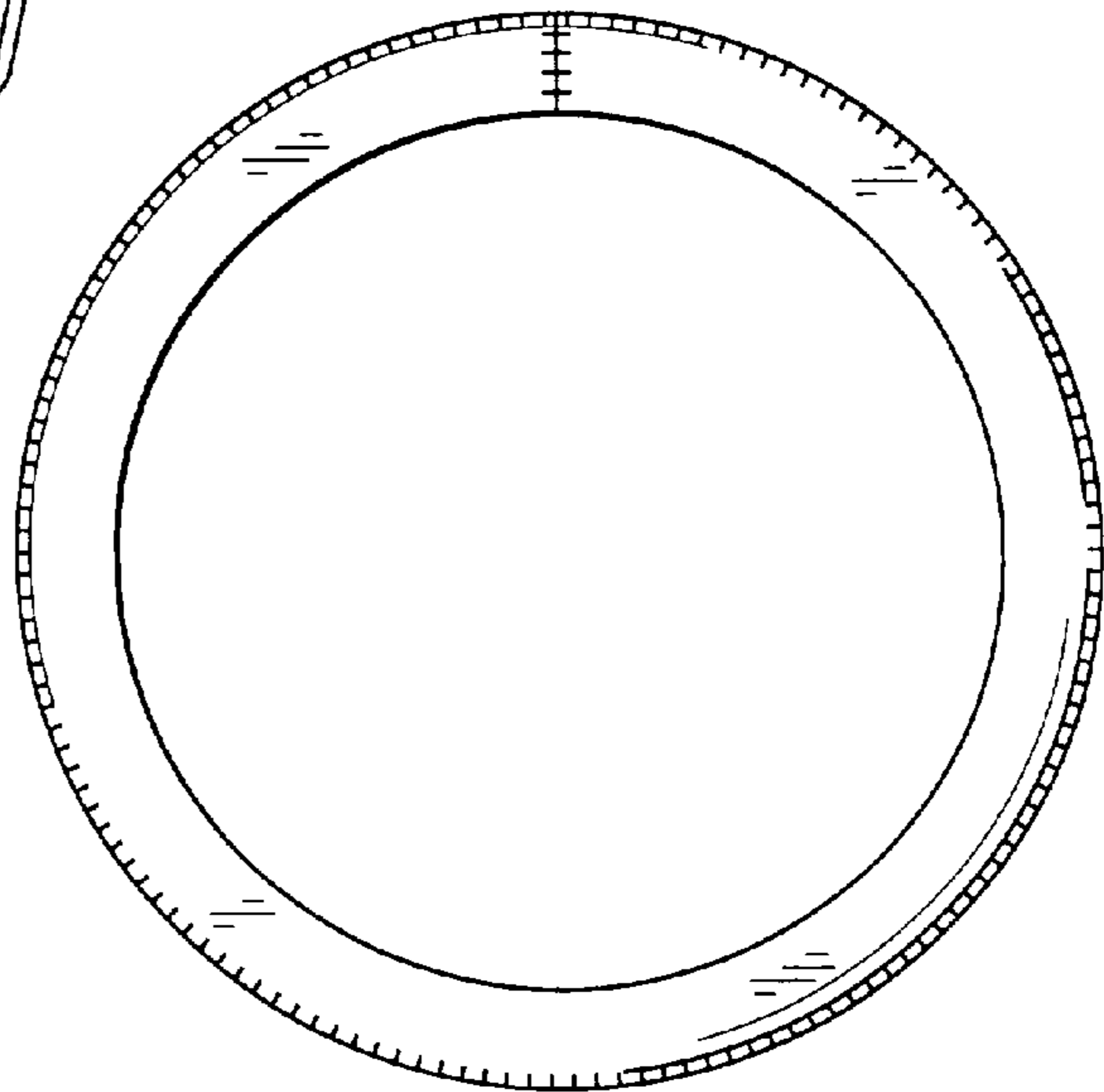


FIG. 14

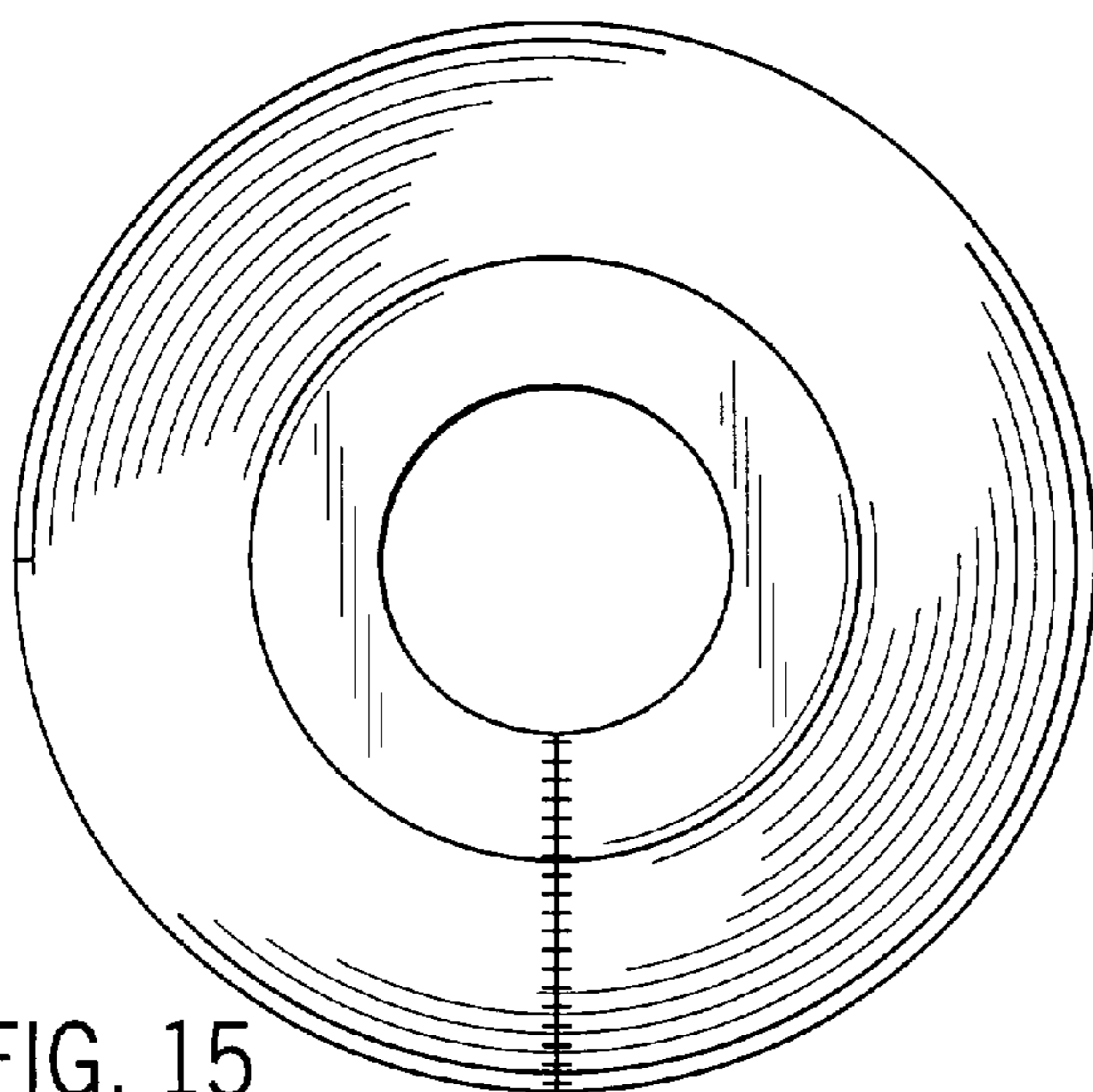


FIG. 15

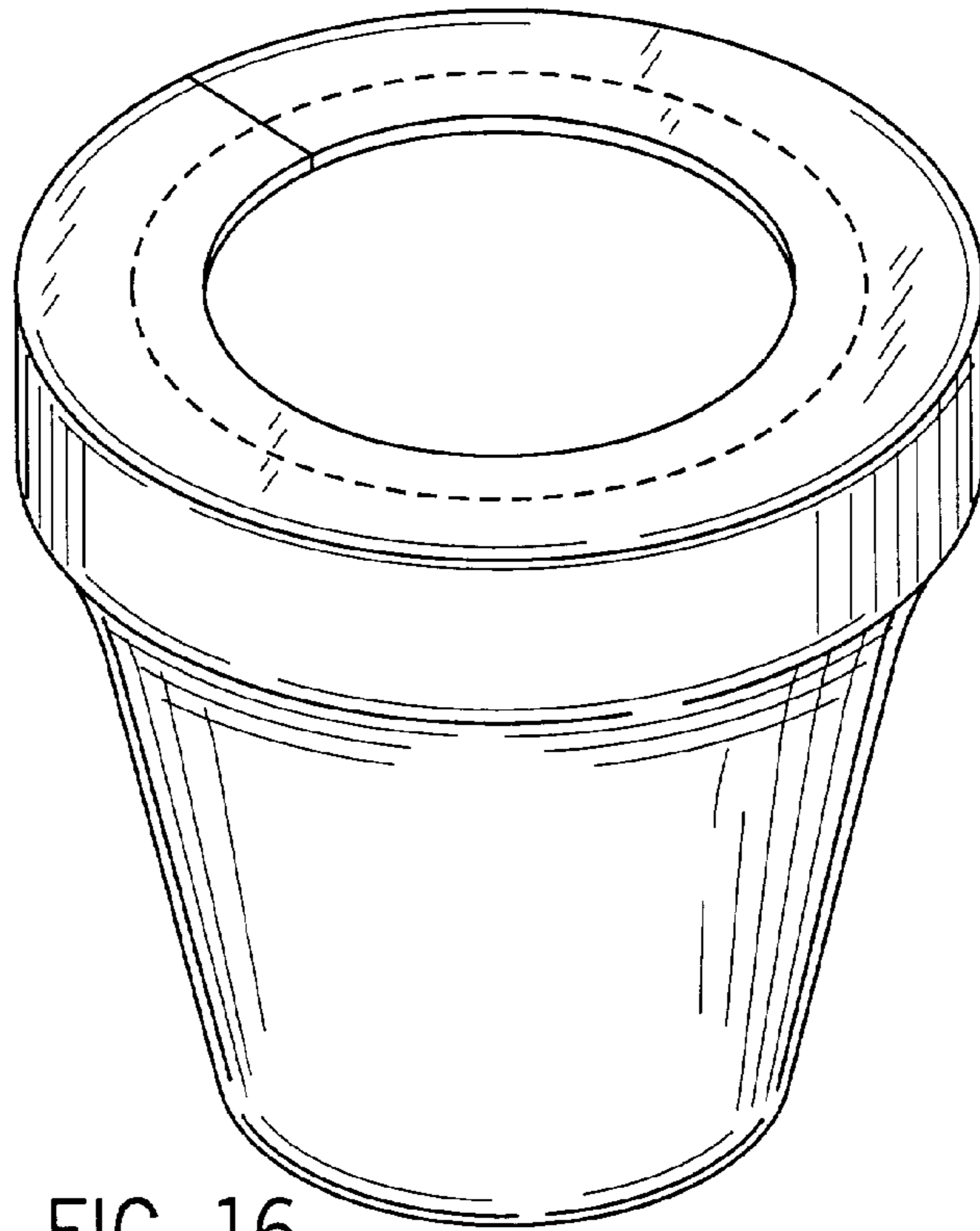


FIG. 16

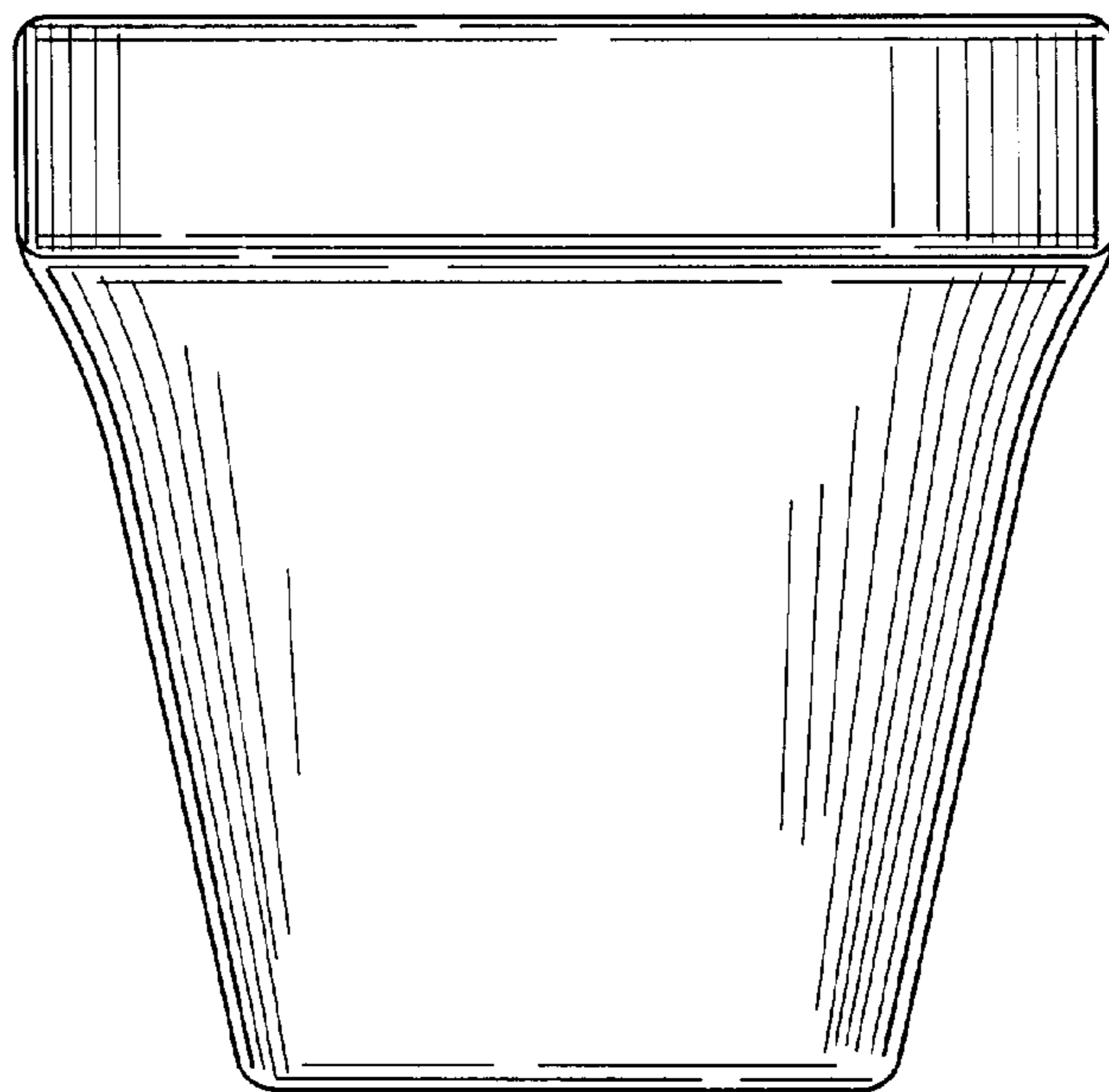


FIG. 17

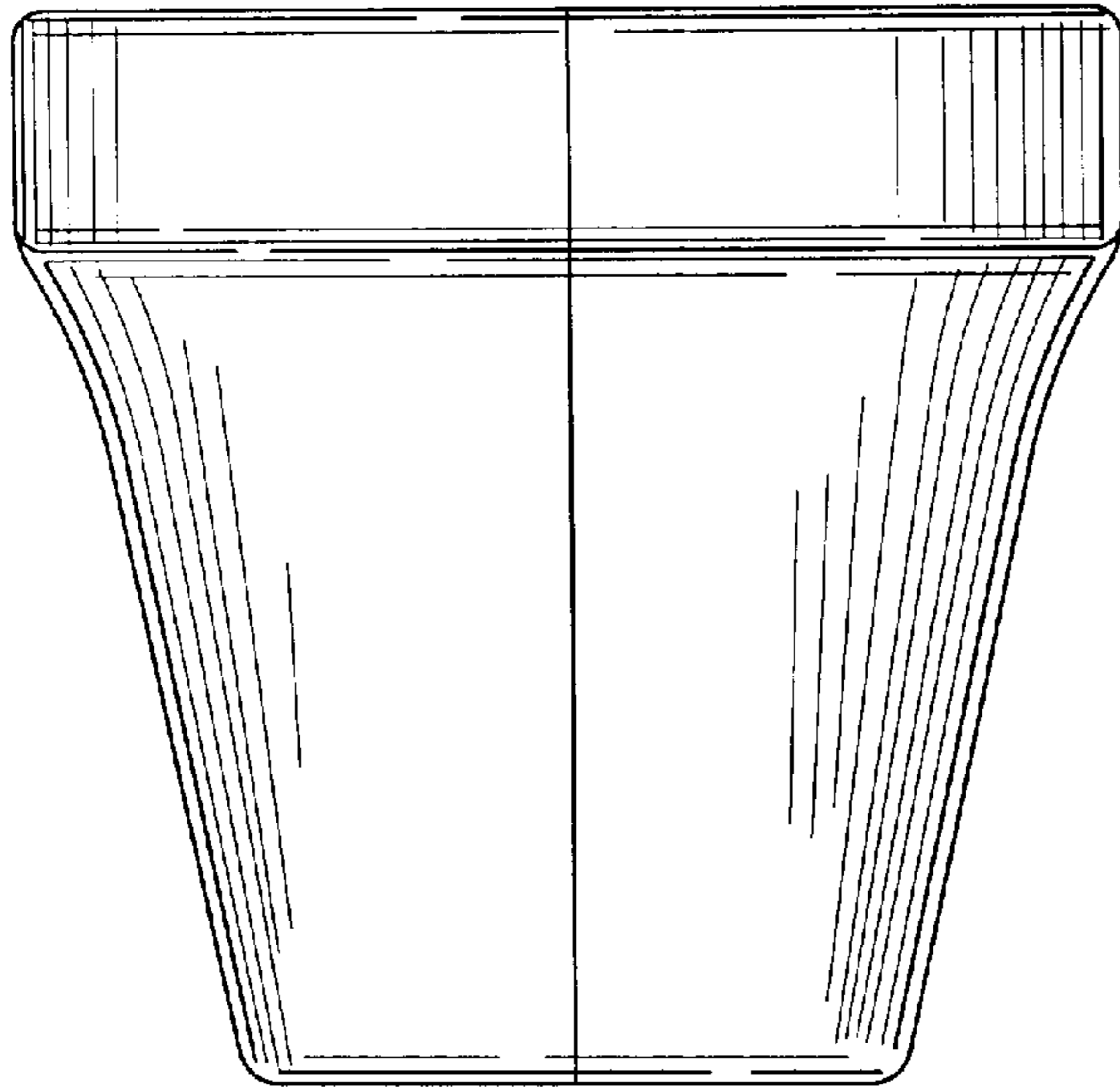


FIG. 18

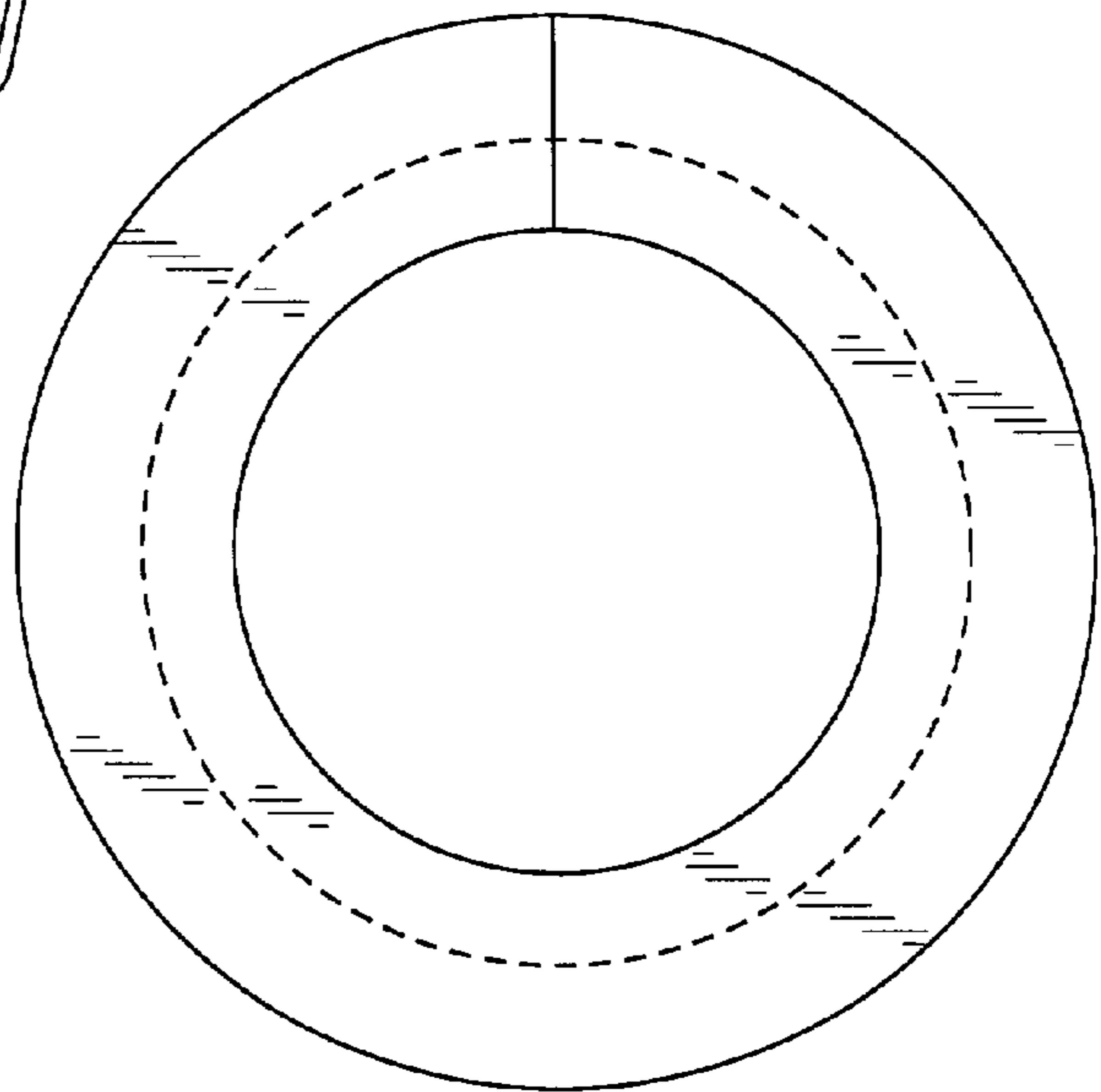


FIG. 19

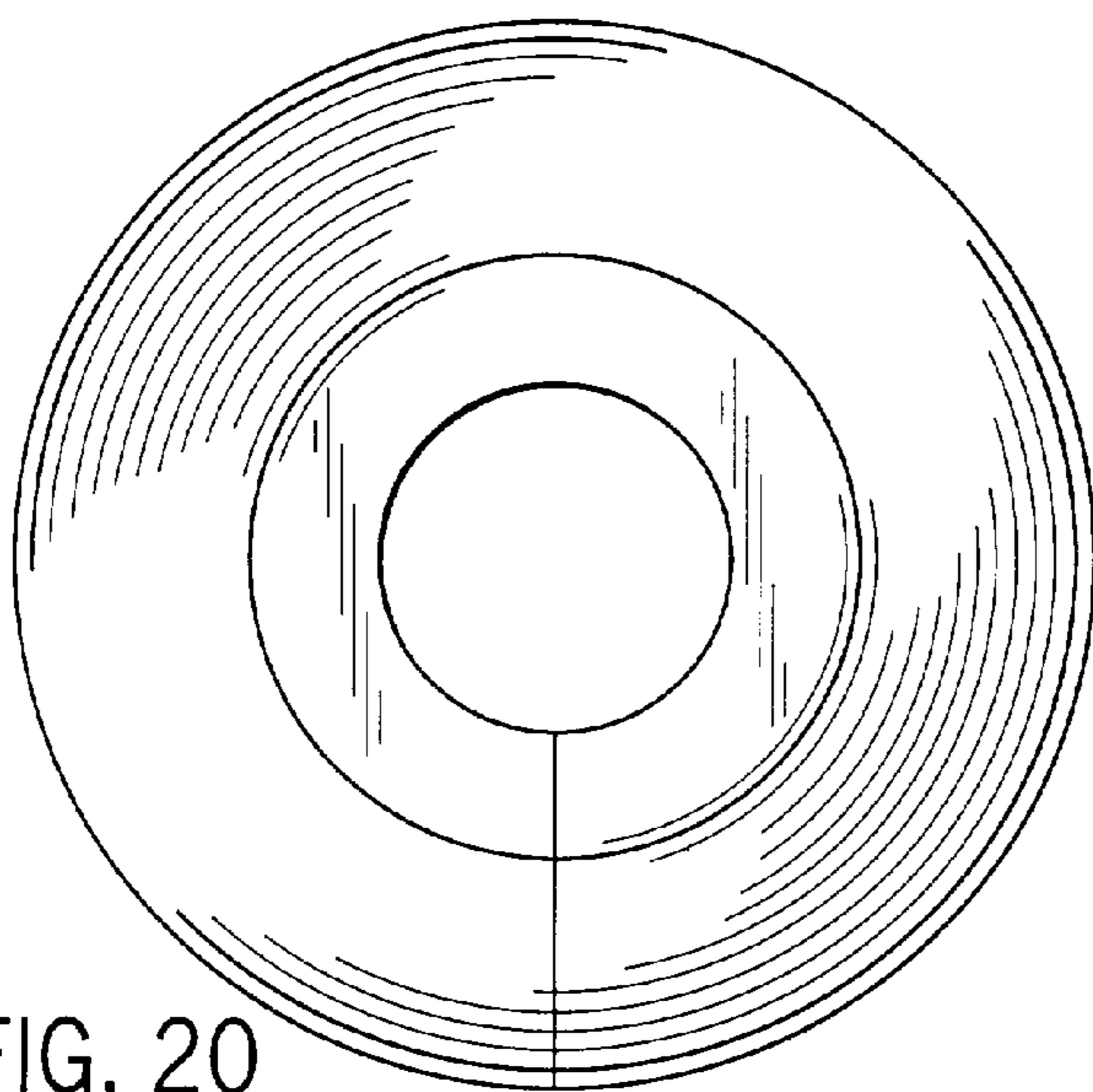


FIG. 20