



US00D428348S

United States Patent [19]

Hatfield et al.

[11] Patent Number: Des. 428,348

[45] Date of Patent: ** Jul. 18, 2000

[54] CARPENTER'S UTILITY SQUARE WITH MEASURING TAPE AND LEVEL

5,727,325 3/1998 Mussell 33/429
5,813,126 9/1998 Dahl 33/474

[76] Inventors: J. Paul Hatfield, 5801 Bucyrus Ct.;
James L. Gallihugh, 9559 Coggsbill
Dr., Apt. 103, both of Manassas, Va.
20110

Primary Examiner—Antoine Duval Davis
Attorney, Agent, or Firm—Harold H. Dutton, Jr.

[**] Term: 14 Years

[57] CLAIM

The ornamental design for a carpenter's utility square with measuring tape and level, as shown.

[21] Appl. No.: 29/106,574

DESCRIPTION

[22] Filed: Jun. 18, 1999

[51] LOC (7) Cl. 10-04

[52] U.S. Cl. D10/62; D10/65; D10/69

[58] Field of Search D10/62, 69, 65;
33/418-429, 474, 476, 460, 470, 480, 451

FIG. 1 is a perspective view of a carpenter's utility square with measuring tape and level showing my new design;
FIG. 2 is a front view thereof;
FIG. 3 is a rear view thereof;
FIG. 4 is a right side view thereof;
FIG. 5 is a left side view thereof;
FIG. 6 is a top view thereof; and,
FIG. 7 is a bottom view thereof.

[56] References Cited

U.S. PATENT DOCUMENTS

D. 364,574 11/1995 Utz et al. D10/62

1 Claim, 2 Drawing Sheets

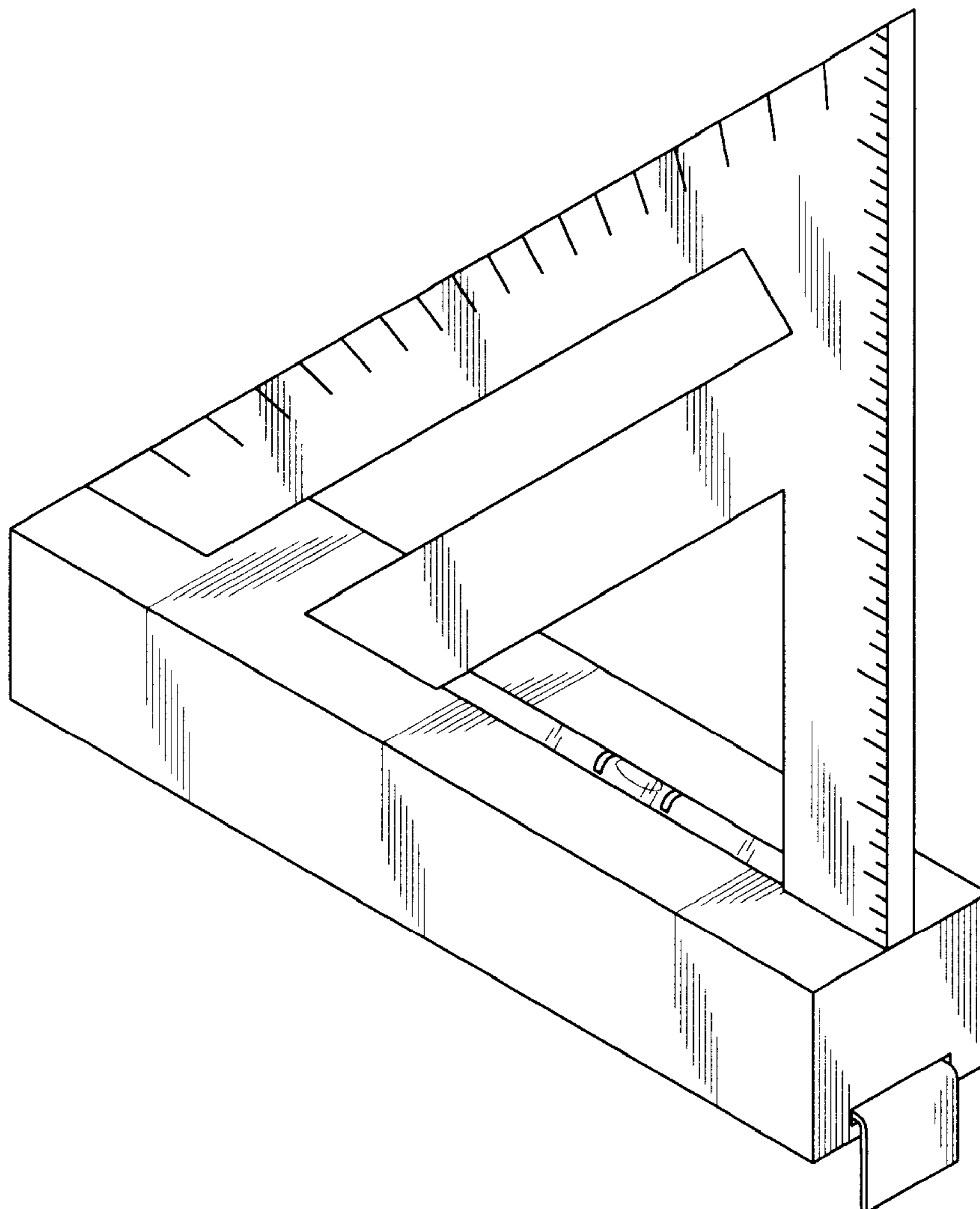


FIG. 1

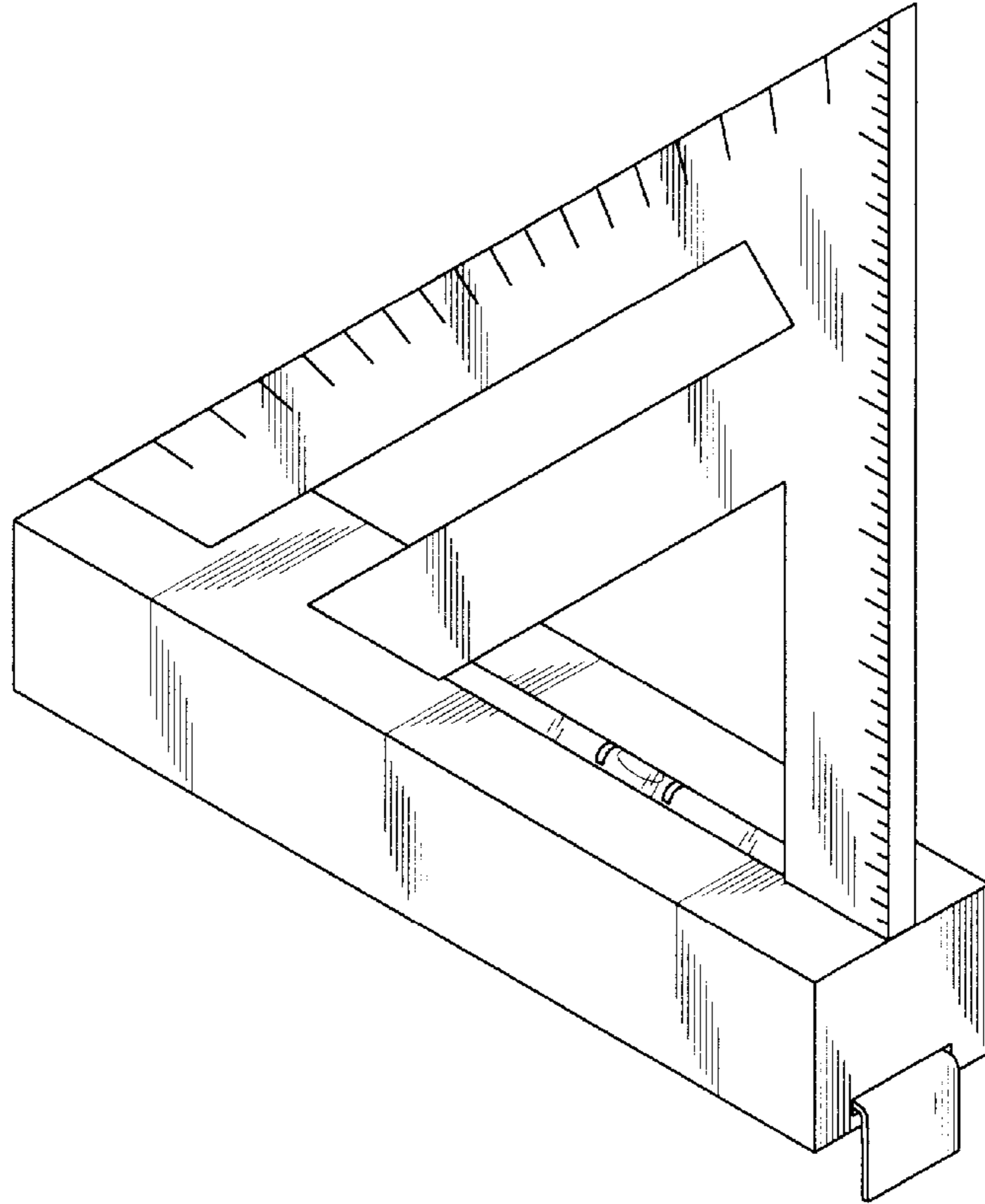


FIG. 2

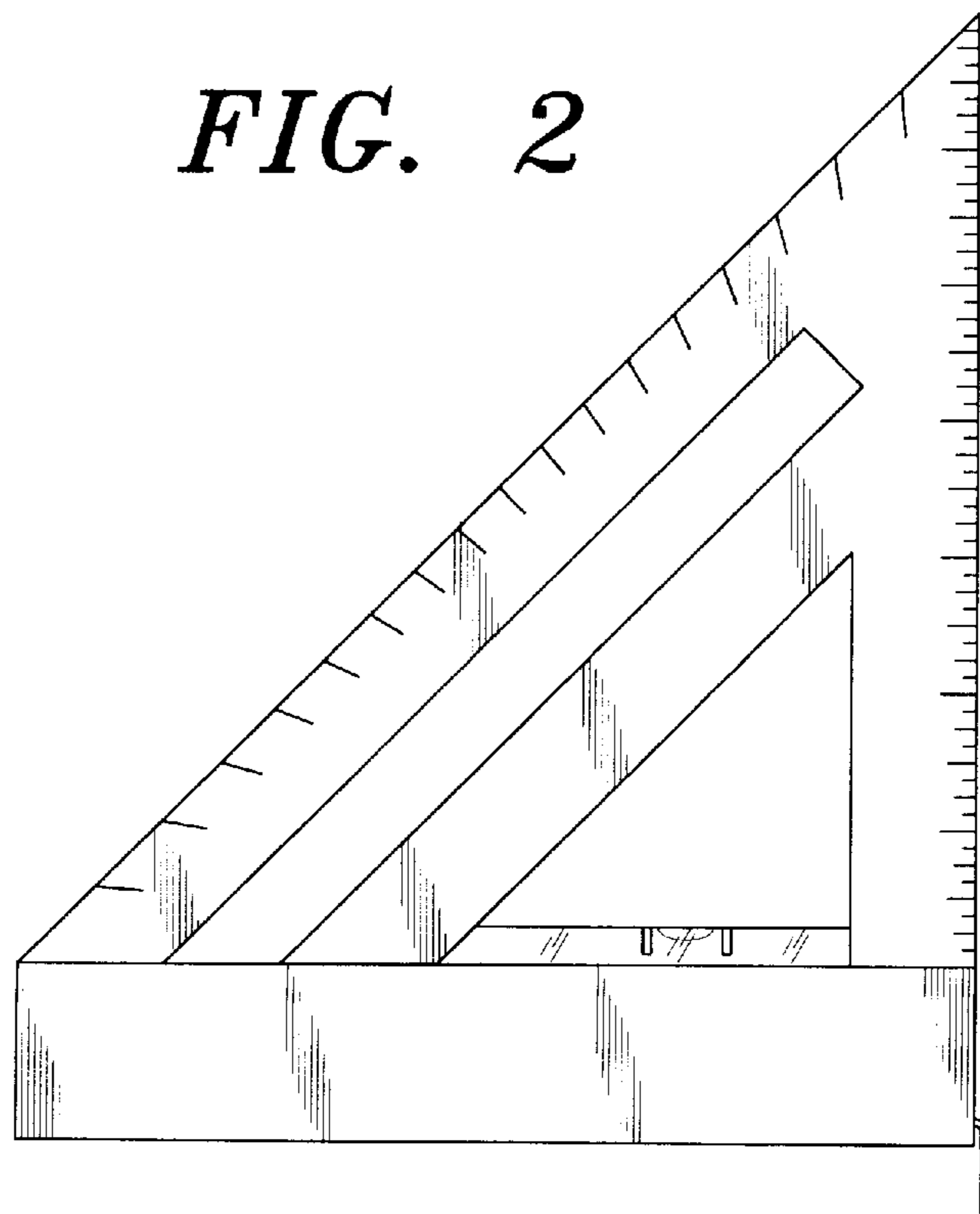


FIG. 4

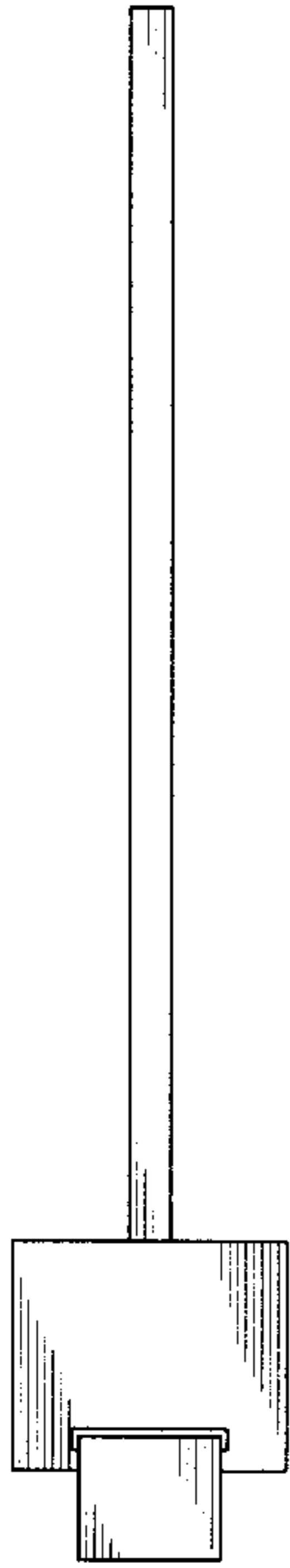


FIG. 3

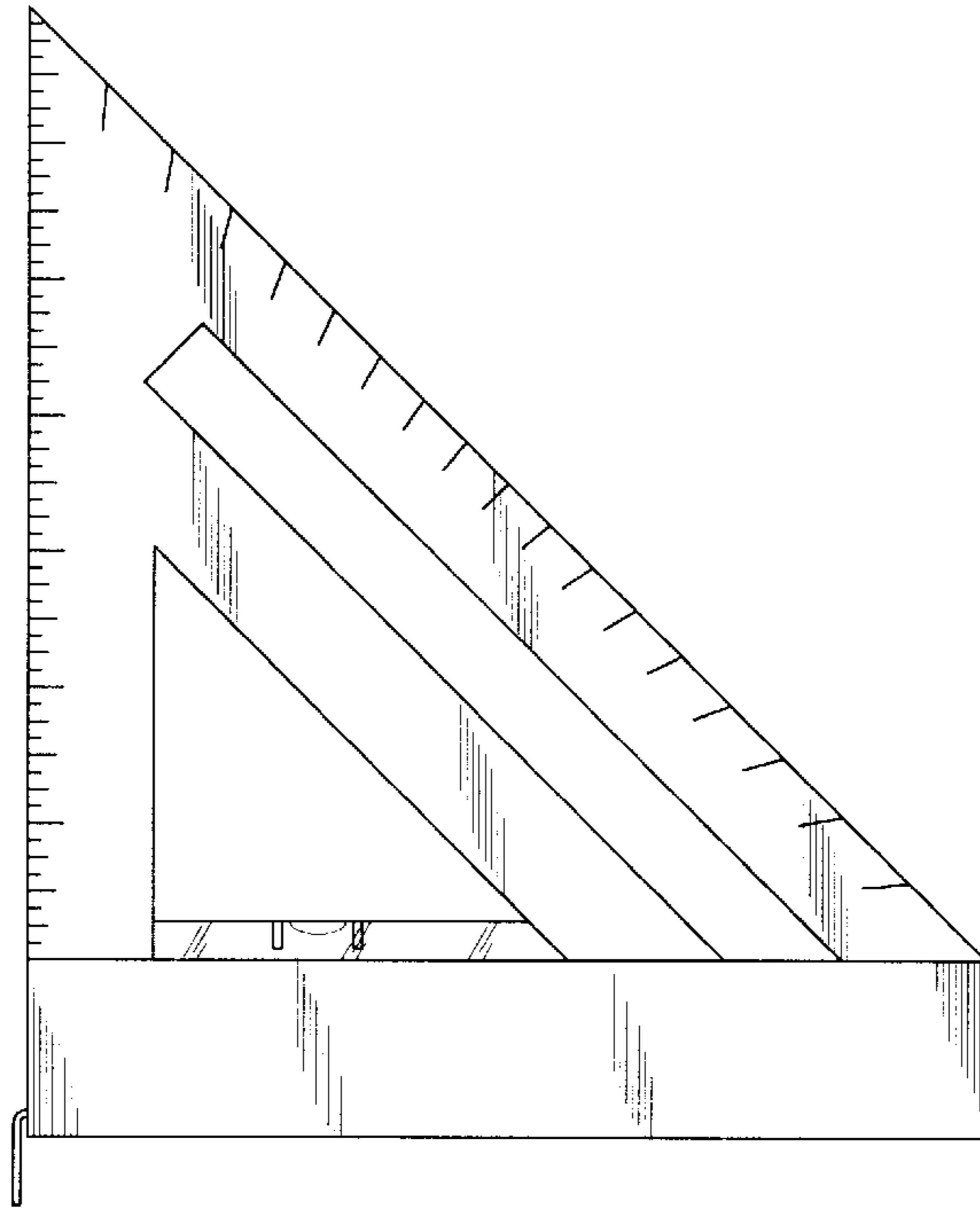


FIG. 5

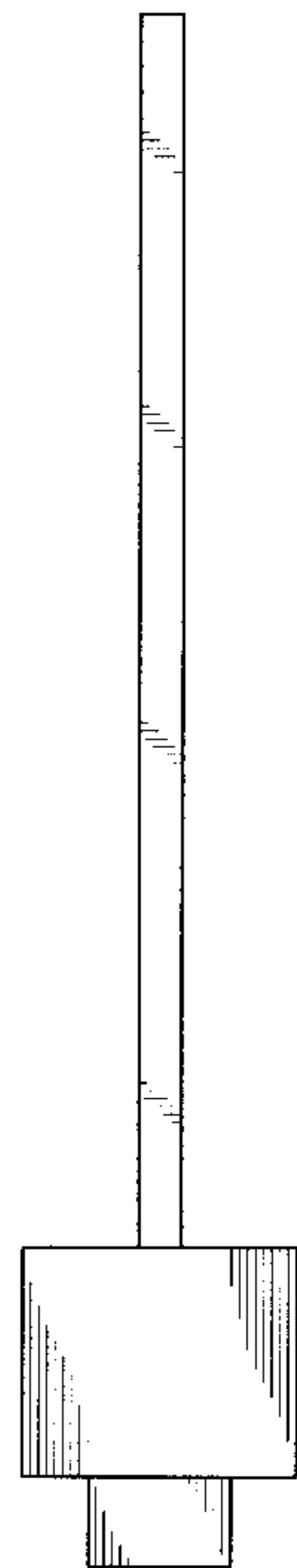


FIG. 6

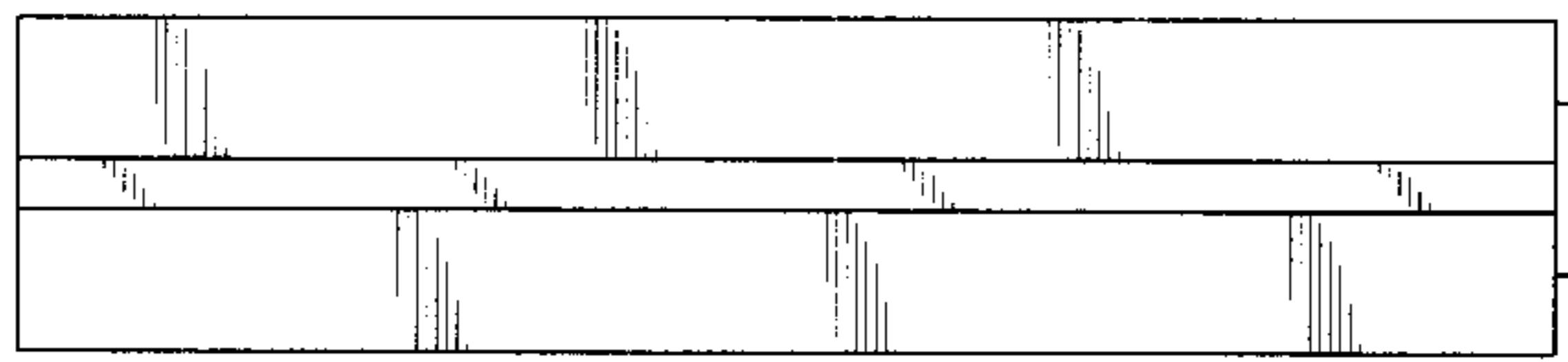


FIG. 7

