



US00D428341S

United States Patent [19] Boutin

[11] **Patent Number: Des. 428,341**
[45] **Date of Patent: ** Jul. 18, 2000**

[54] **CONTAINER**

[75] Inventor: **Raymond Boutin**, Boucherville,
Canada

[73] Assignee: **Raychar Inc.**, Boucherville, Canada

[**] Term: **14 Years**

[21] Appl. No.: **29/110,785**

[22] Filed: **Sep. 14, 1999**

[51] **LOC (7) Cl.** **09-03**

[52] **U.S. Cl.** **D9/520; D9/528**

[58] **Field of Search** D9/300, 376, 516-517,
D9/520, 522-524, 526-528, 530-531, 533,
536-540, 542, 548-549, 552, 556, 558-559,
564, 569, 572, 574-575; 215/371, 375,
382-383, 396, 398; 220/306, 375, 661,
671-672, 675, 770-772

[56] **References Cited**

U.S. PATENT DOCUMENTS

D. 205,166	6/1966	Price	D9/527
D. 213,949	4/1969	Lenhart	D9/524
D. 280,384	9/1985	Poore	D9/520
D. 378,191	2/1997	Wehrle et al.	D9/528

3,524,488	8/1970	Scholle	215/398
4,579,260	4/1986	Young et al.	215/398
4,609,106	9/1986	Gentili	215/398
4,658,975	4/1987	Cone	215/398
4,781,314	11/1988	Schoonover et al.	215/396
4,923,098	5/1990	Schoonover et al.	215/398
5,779,051	7/1998	Boutin	206/504

Primary Examiner—Ted Shooman
Assistant Examiner—Carol Rademaker
Attorney, Agent, or Firm—Jean H. Dubuc

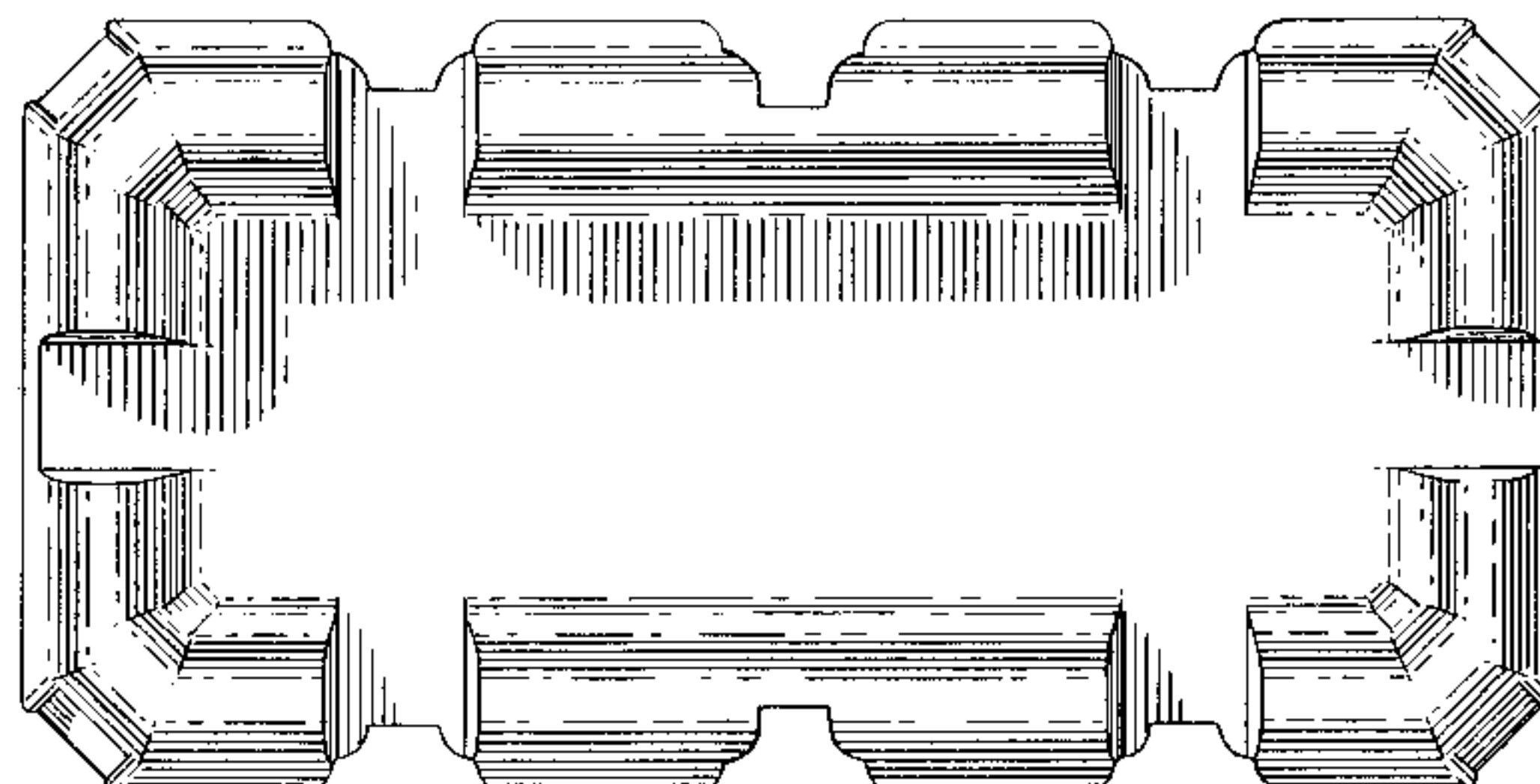
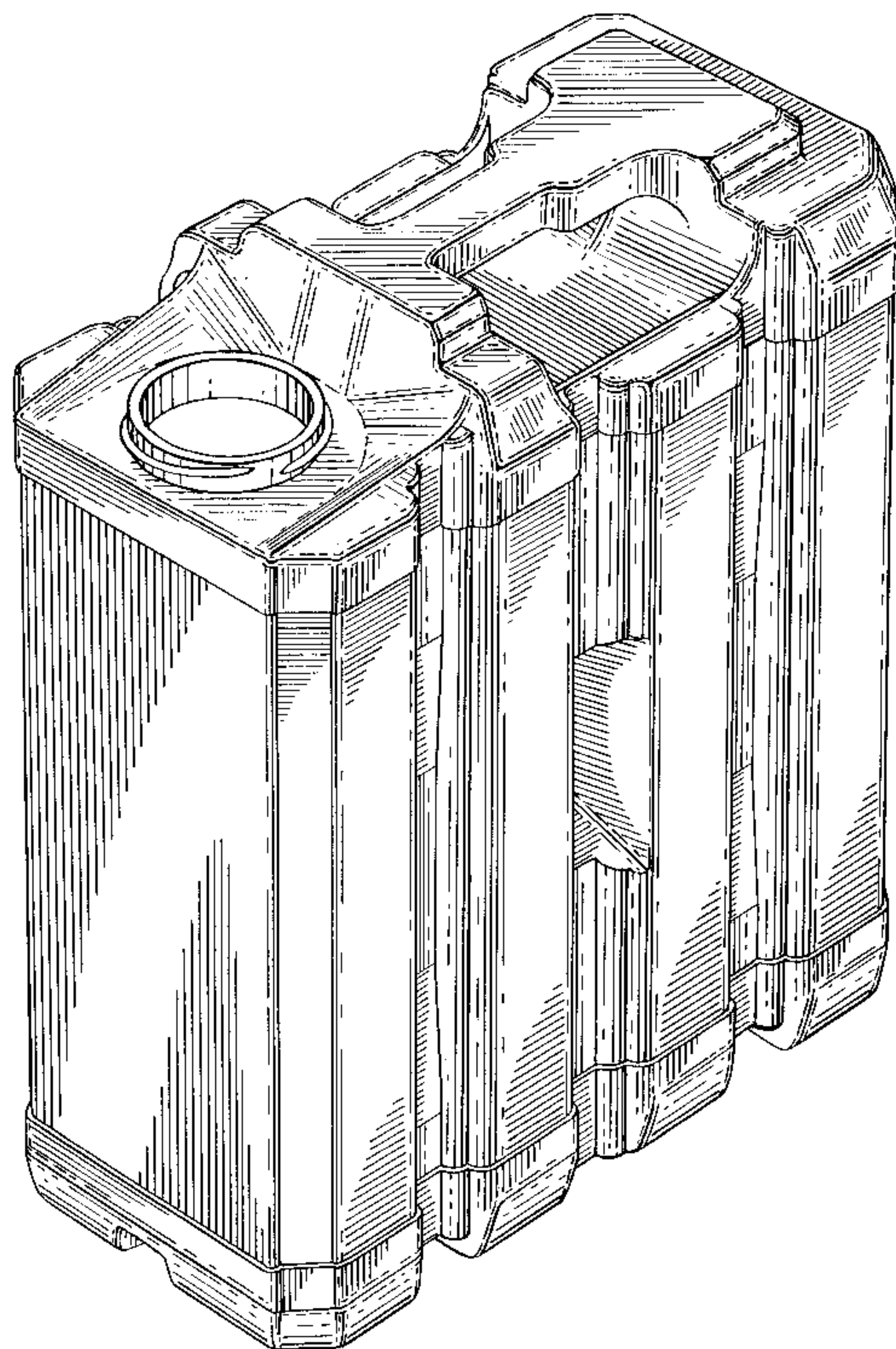
[57] **CLAIM**

The ornamental design for a container, as shown and described.

DESCRIPTION

FIG. 1 is a perspective view of a container showing my new design;
FIG. 2 is a top plan view thereof;
FIG. 3 is an elevational front view thereof, the rear view being a mirror image;
FIG. 4 is an elevational end view thereof as seen from the left of FIG. 2;
FIG. 5 is an elevational end view thereof as seen from the right of FIG. 2; and,
FIG. 6 is a bottom plan view thereof.

1 Claim, 4 Drawing Sheets



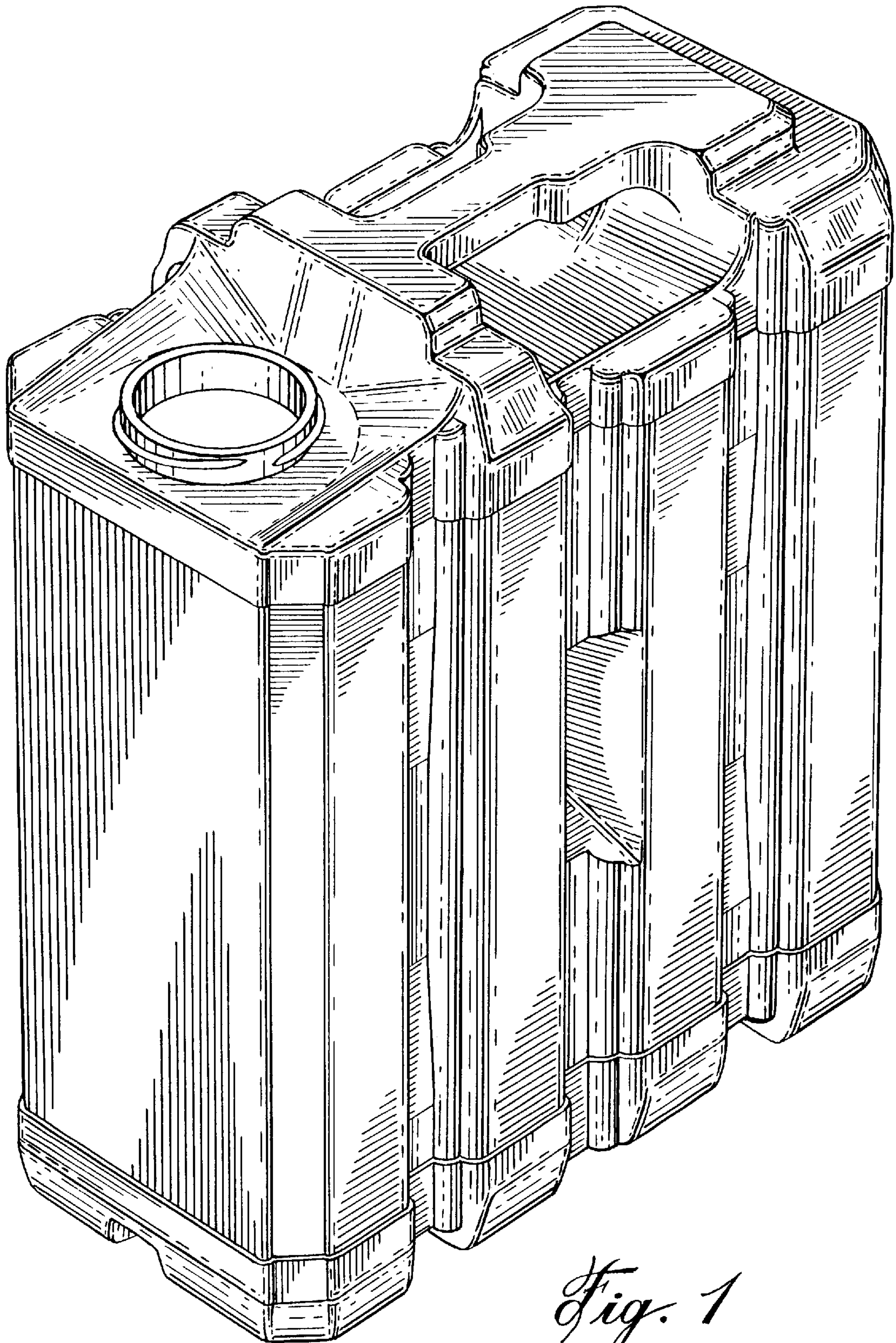


Fig. 1

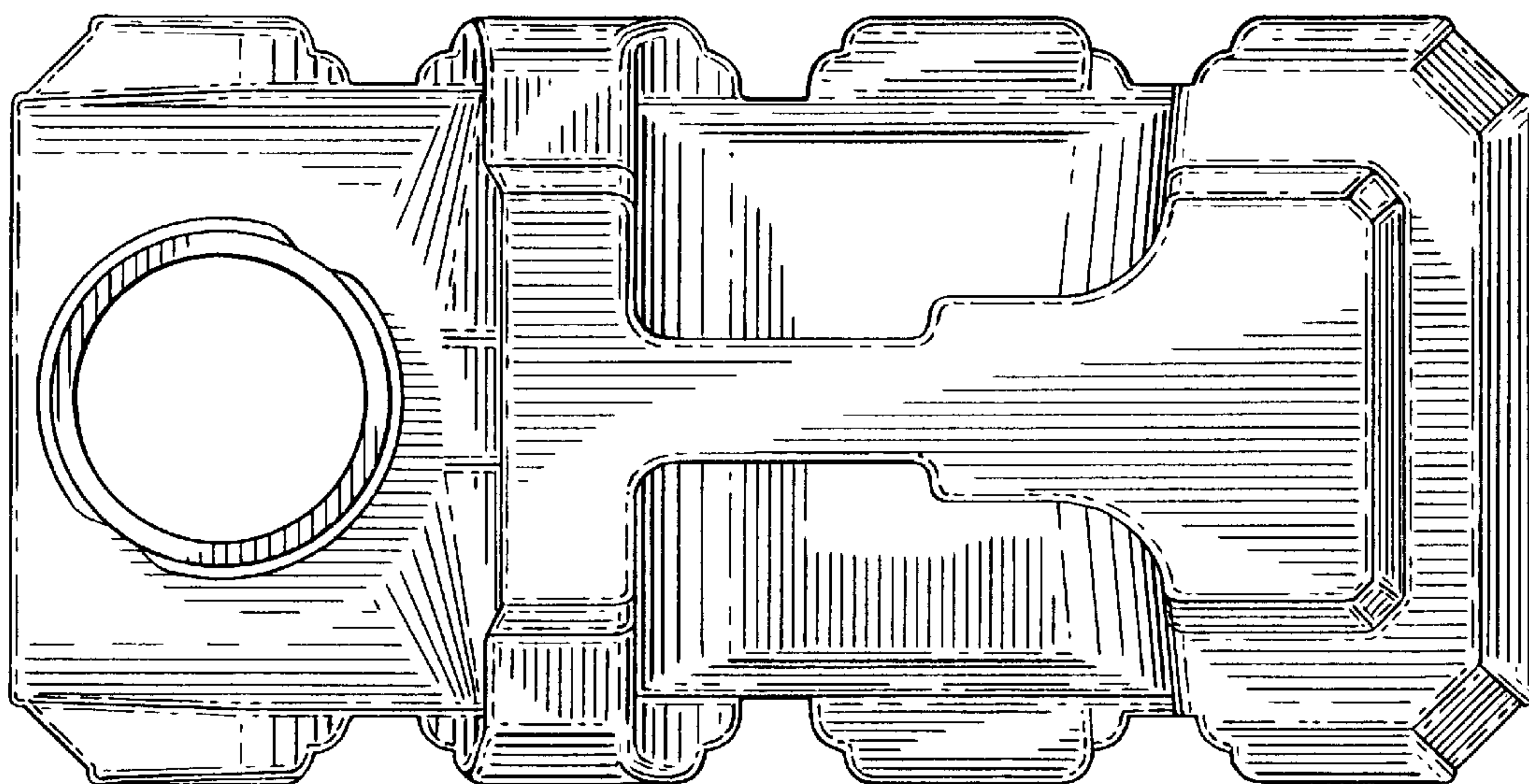


Fig. 2

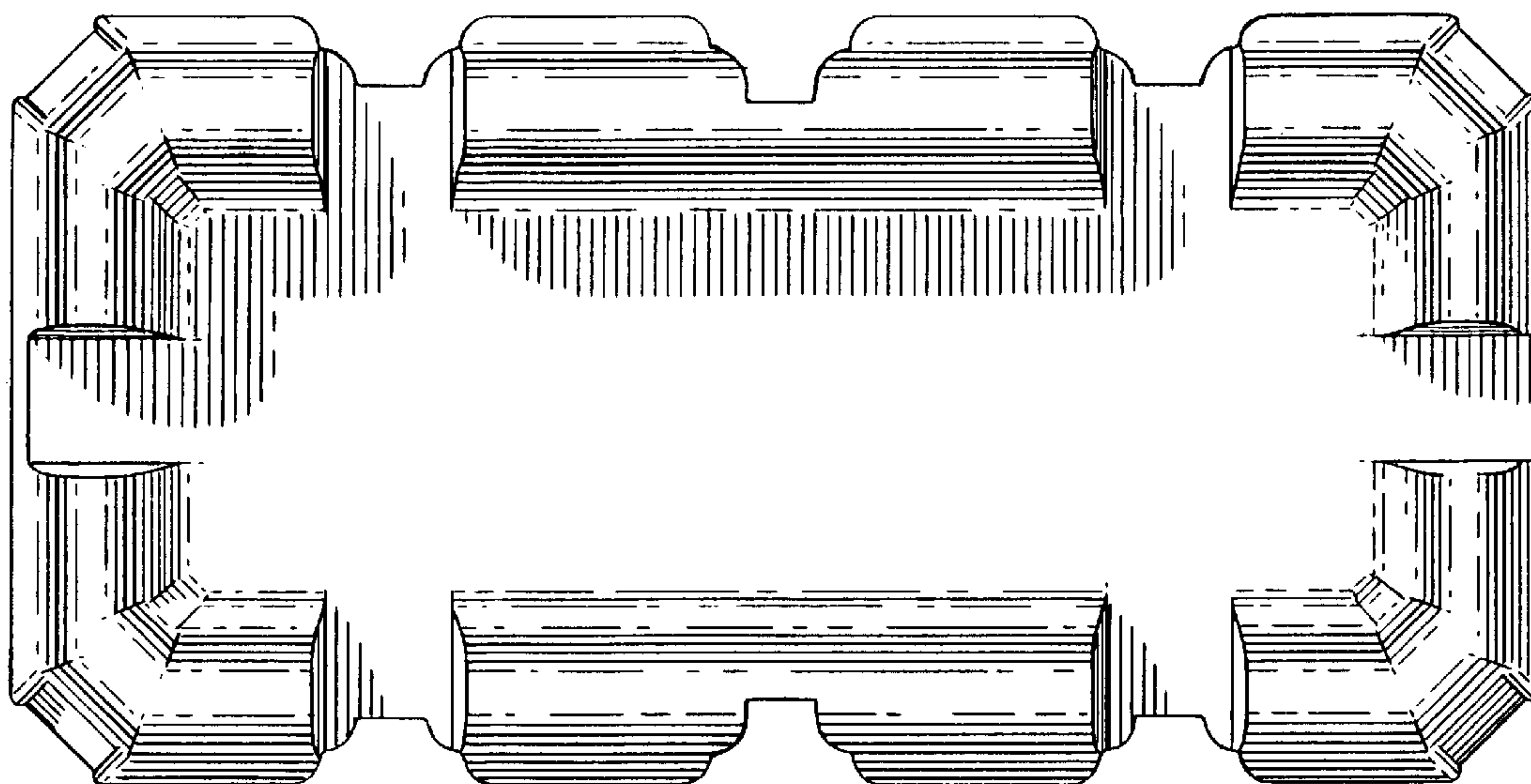


Fig. 6

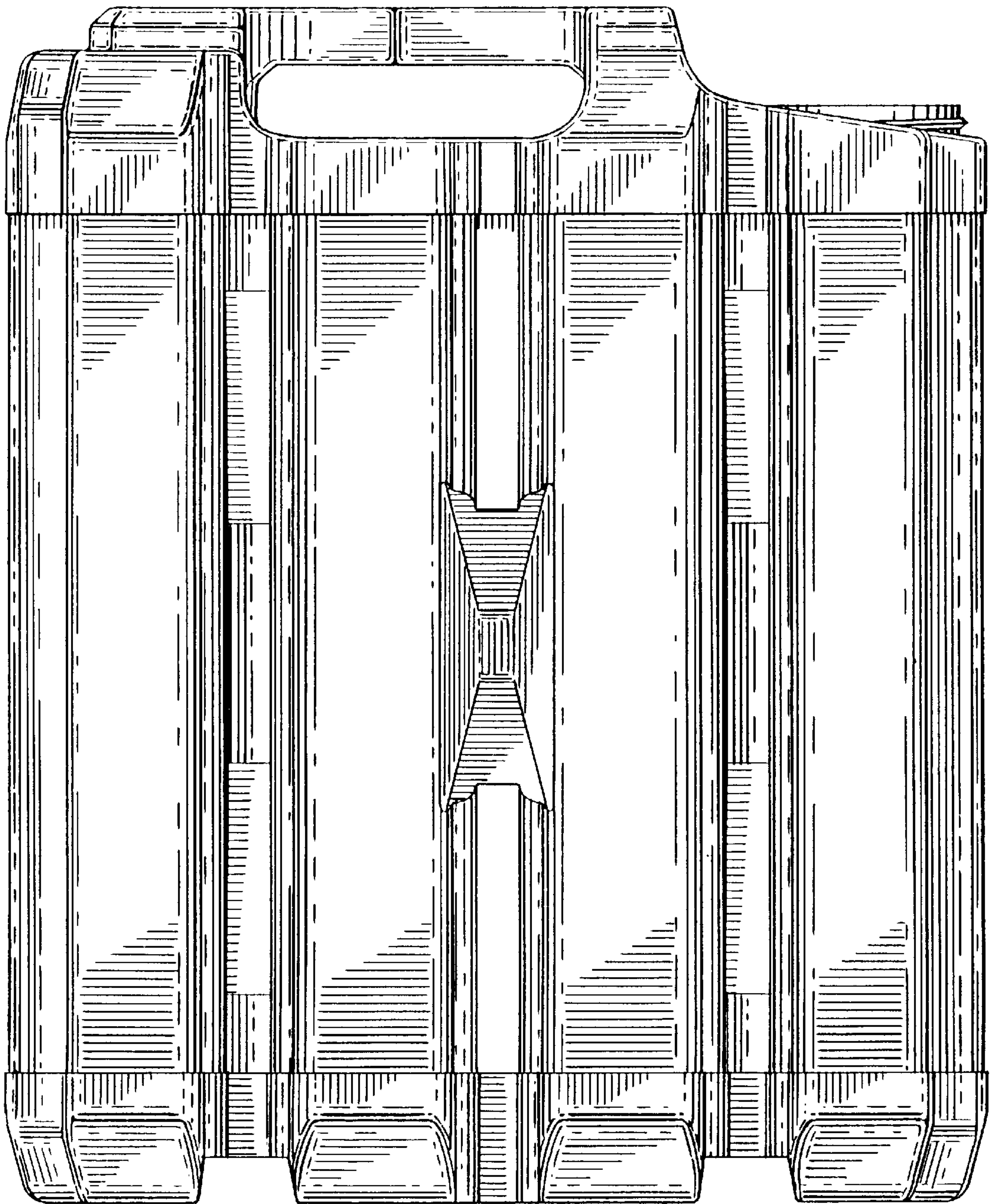


Fig. 3

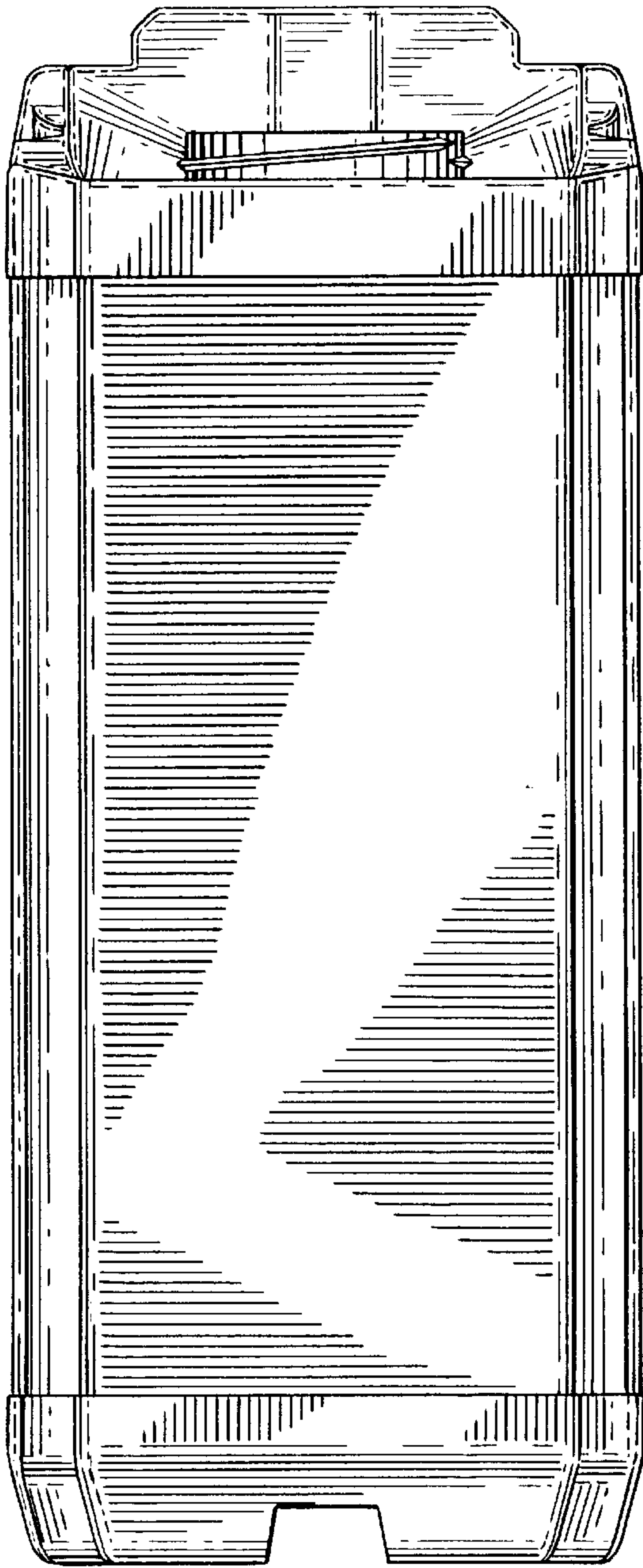


Fig. 4

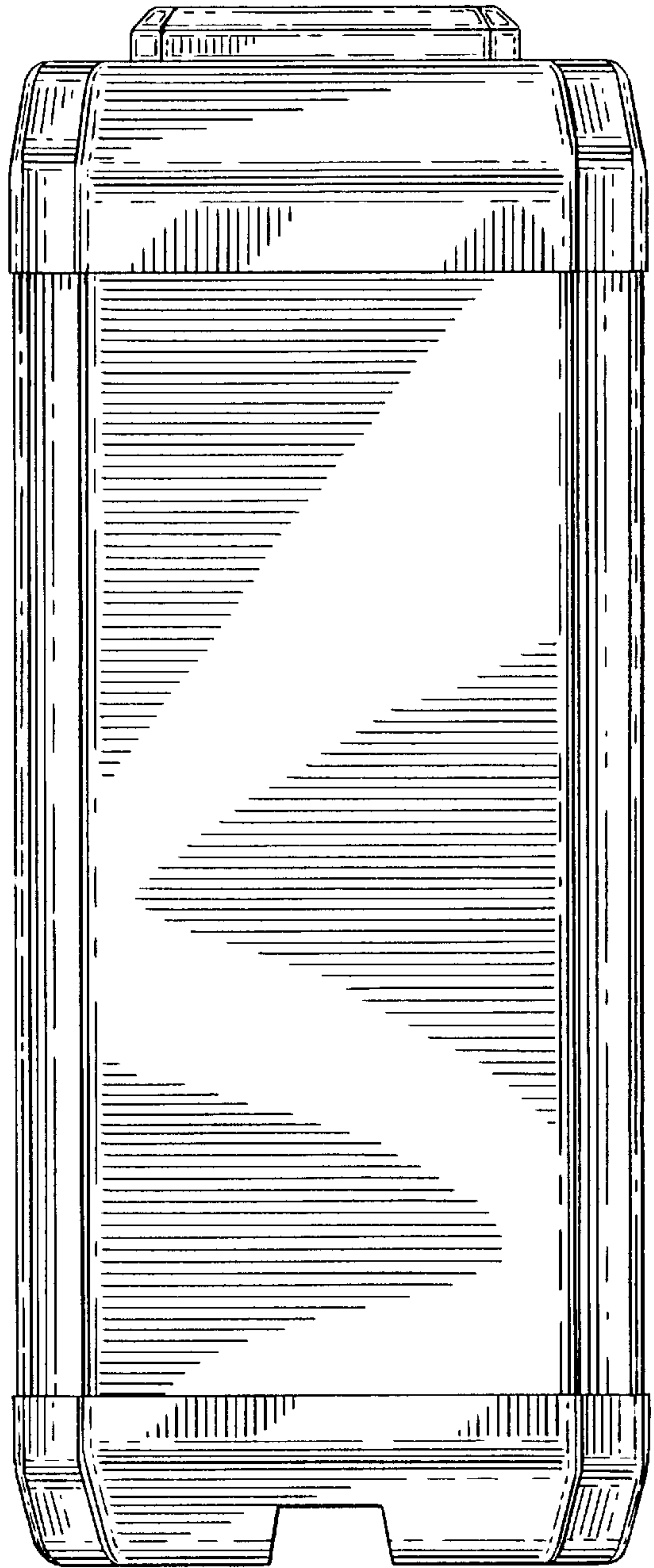


Fig. 5