



US00D428340S

United States Patent [19] Herrmann

[11] **Patent Number: Des. 428,340**
[45] **Date of Patent: ** Jul. 18, 2000**

[54] **CONTAINER**

[75] Inventor: **Lutz Herrmann**, Hamburg, Germany

[73] Assignee: **The Procter & Gamble Company**, Cincinnati, Ohio

[**] Term: **14 Years**

[21] Appl. No.: **29/089,041**

[22] Filed: **Jun. 5, 1998**

[30] **Foreign Application Priority Data**

Dec. 5, 1997 [GB] United Kingdom 2070959

[51] **LOC (7) Cl.** **09-01**

[52] **U.S. Cl.** **D9/517; D9/300; D9/307; D9/521**

[58] **Field of Search** D9/517, 521, 300, D9/548, 564, 307; 215/395, 382, 383; 222/321.1-321.9

[56] **References Cited**

U.S. PATENT DOCUMENTS

D. 82,593	11/1930	Teague	D9/548
D. 86,703	4/1932	Delich	D9/517
D. 189,076	10/1960	Altman	D9/521
D. 216,777	3/1970	Nelson	D9/521

D. 234,121	1/1975	Budd	D9/517
D. 316,814	5/1991	Duffy et al.	D9/521
D. 345,500	3/1994	Wacker	D9/300
D. 398,243	9/1998	Dinand	D9/517

Primary Examiner—Lucy Lieberman
Attorney, Agent, or Firm—Jack L. Oney, Jr.

[57] **CLAIM**

The ornamental design for a container, as shown and described.

DESCRIPTION

FIG. 1 is a perspective view of a container embodying our new design;
FIG. 2 is a side elevational view thereof, with the opposite side elevational view being a mirror image thereof;
FIG. 3 is a front elevational view with the back elevational view being a mirror image thereof;
FIG. 4 is a bottom plan view thereof;
FIG. 5 is a top plan view thereof;
FIG. 6 is a perspective view in an alternative position;
FIG. 7 is a side elevational view in the alternative position with the back elevational view in the alternative position being a mirror image thereof; and,
FIG. 8 is a top plan view in the alternative position.

1 Claim, 3 Drawing Sheets

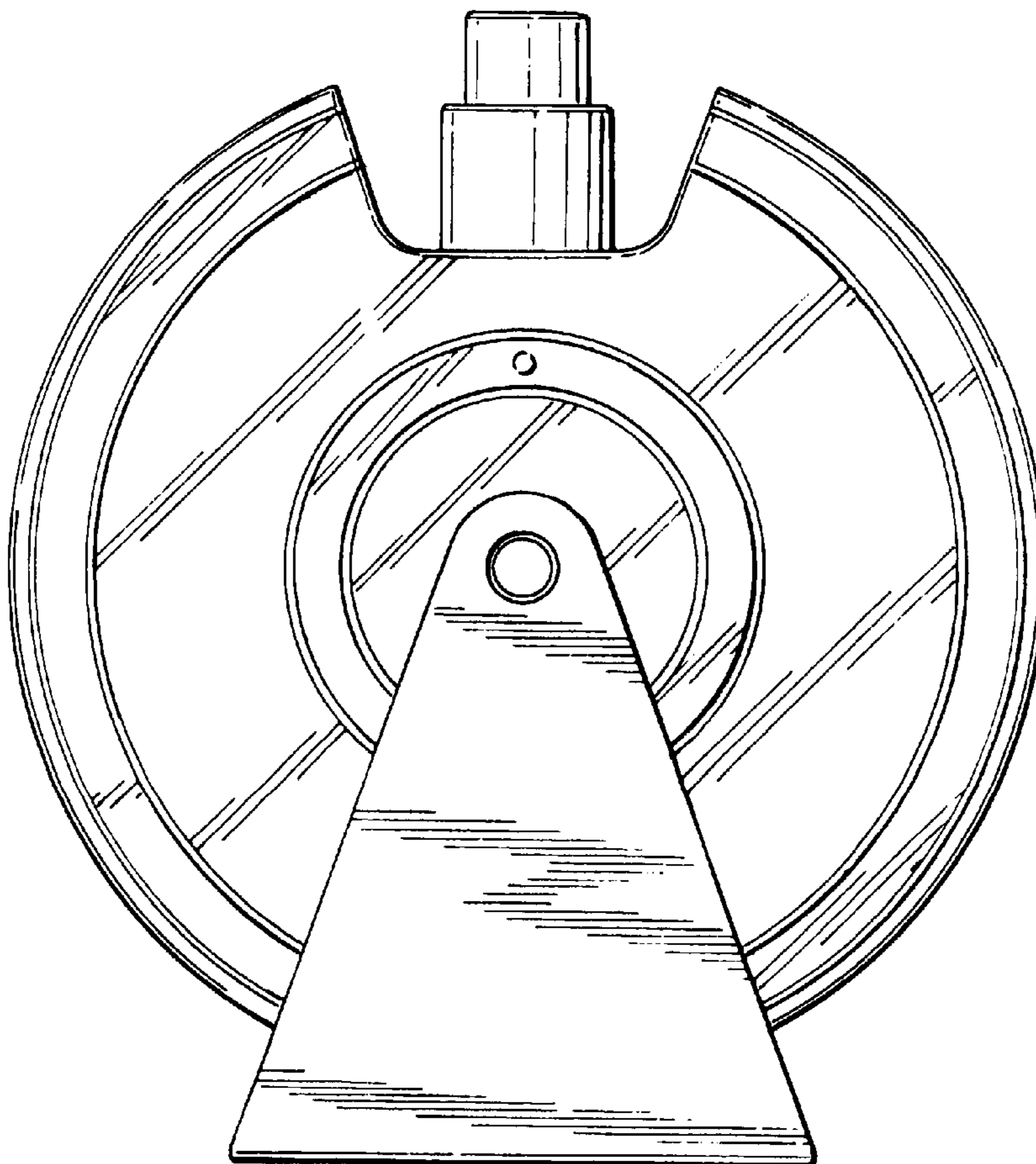


Fig. 1.

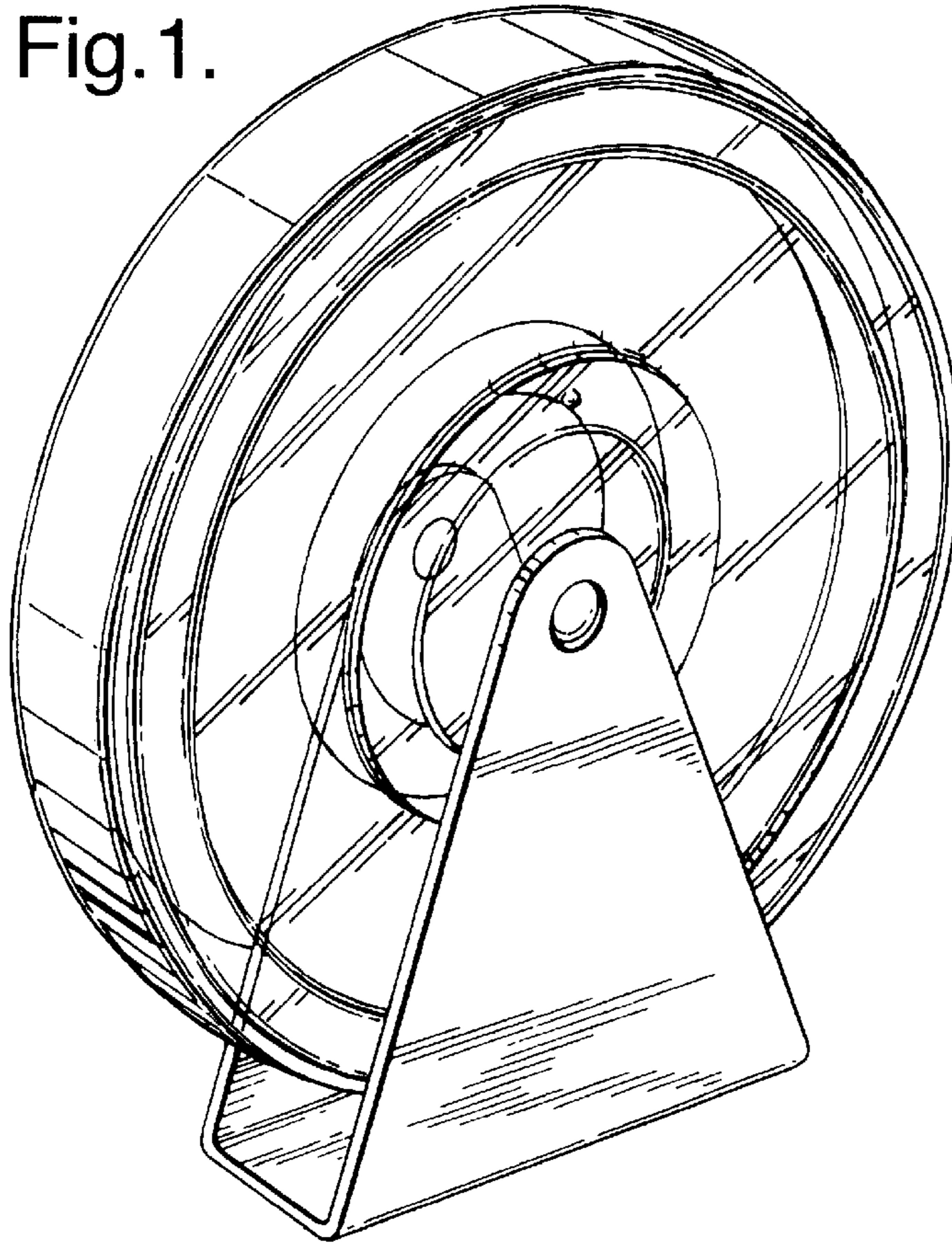


Fig. 2.

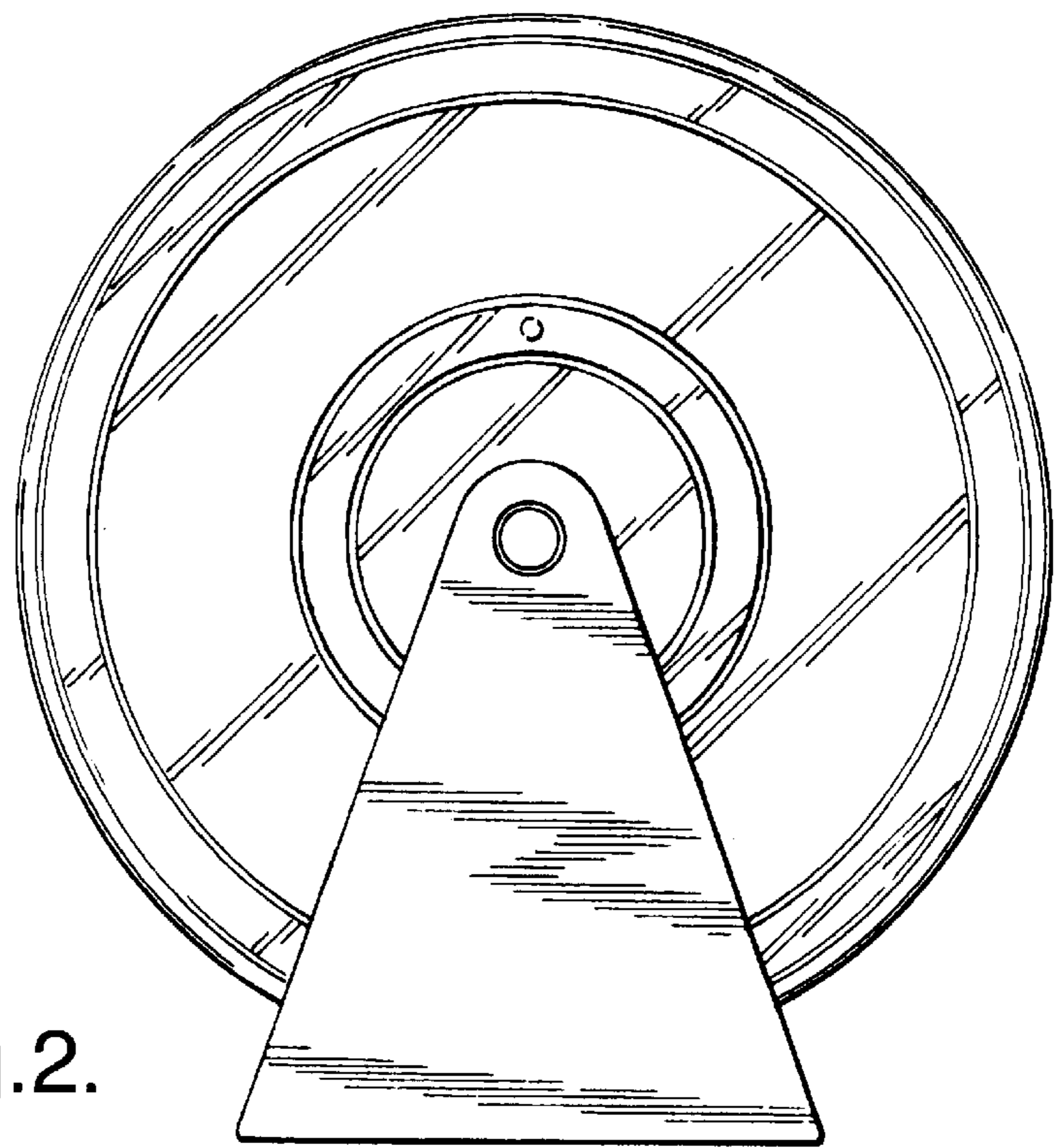


Fig.6.

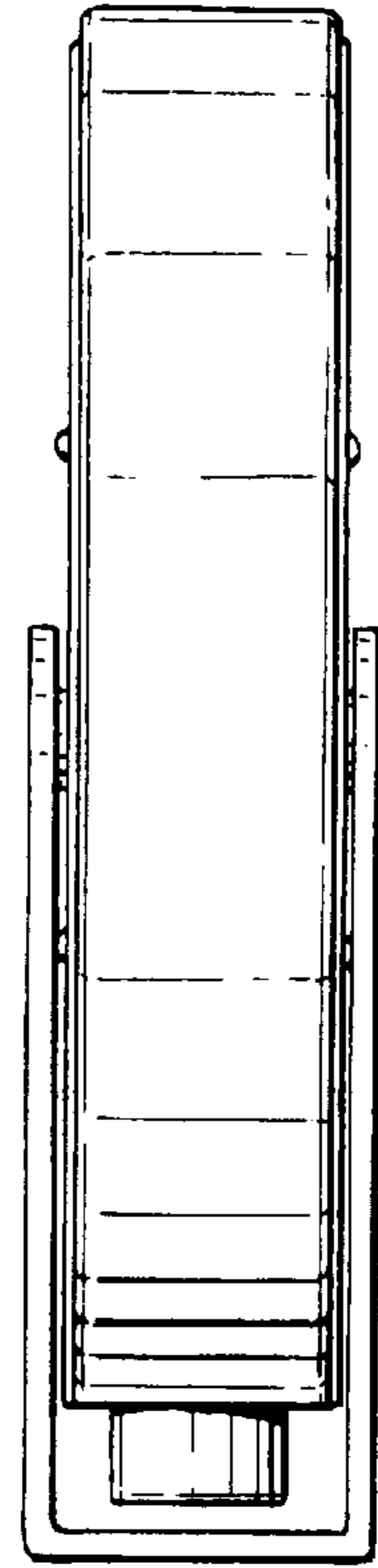
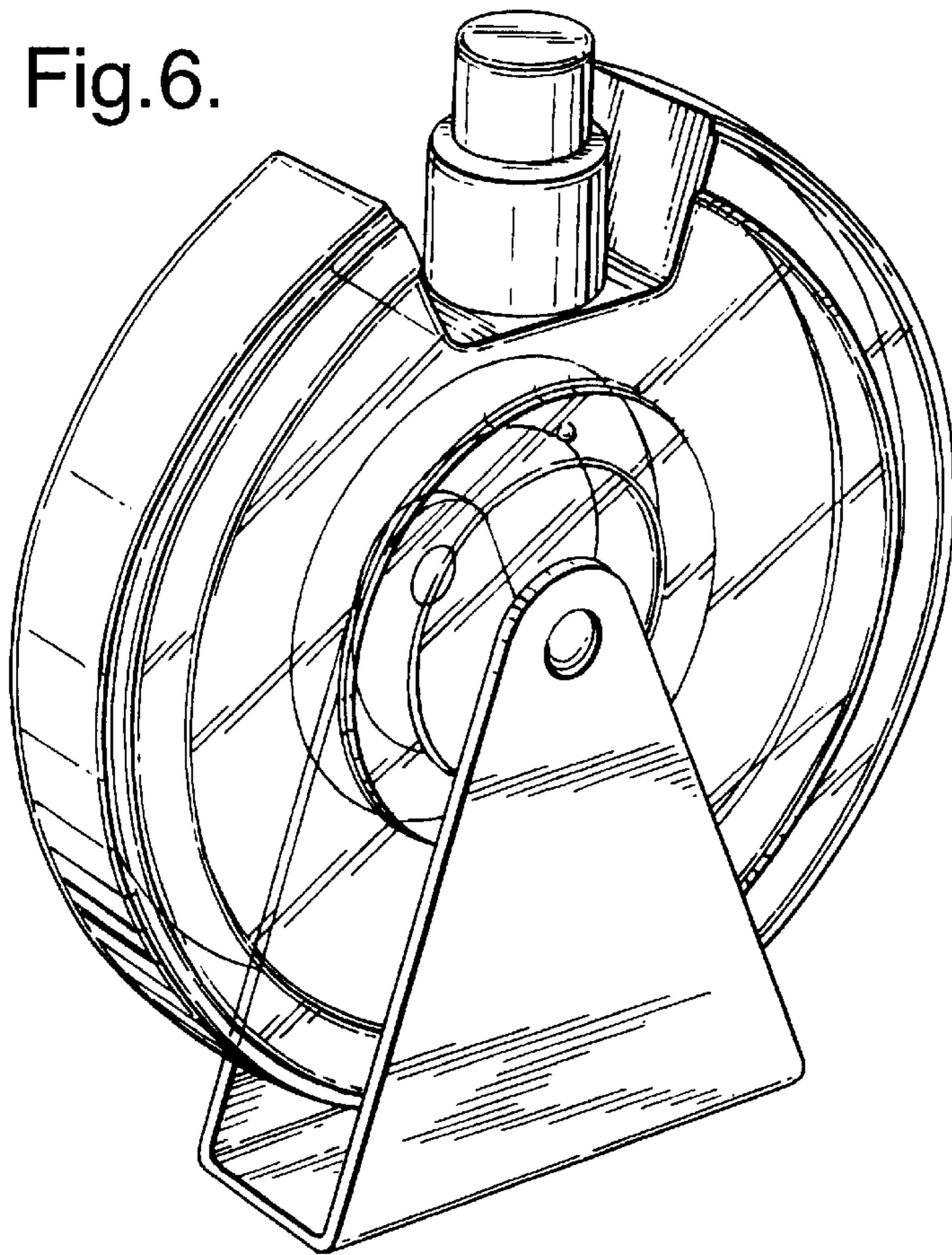


Fig.3.

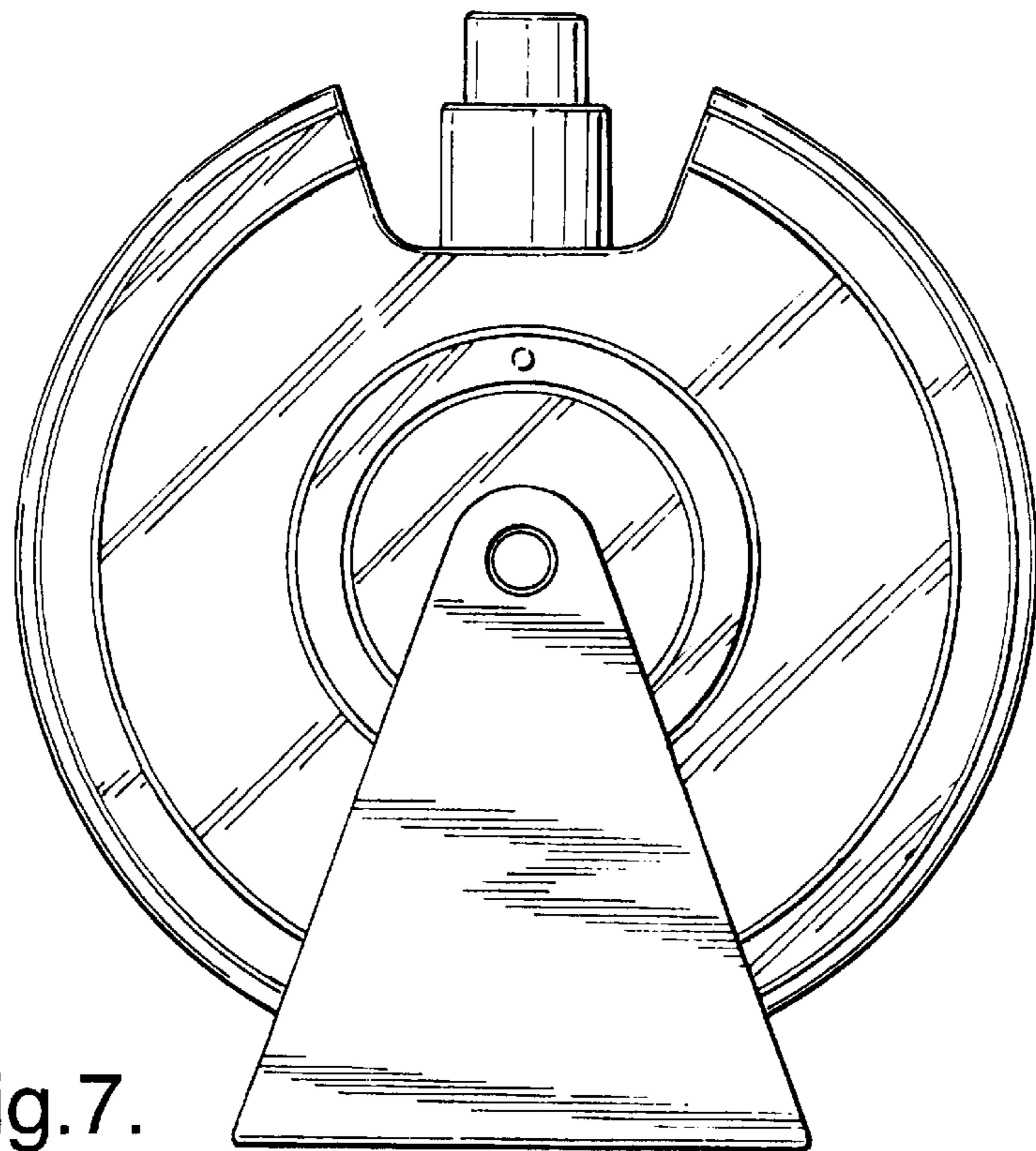


Fig.7.

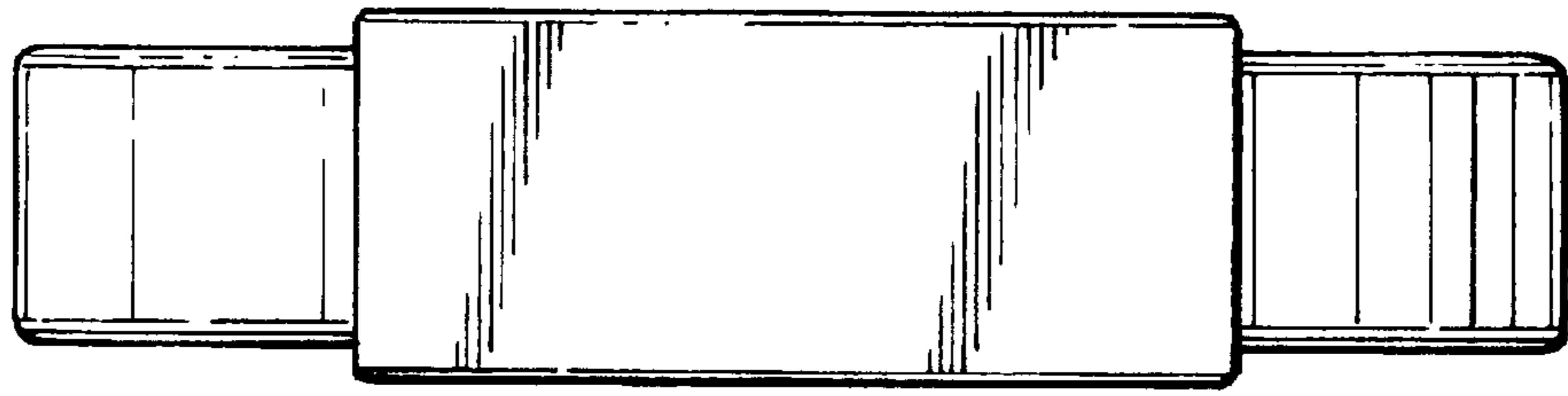


Fig.4.

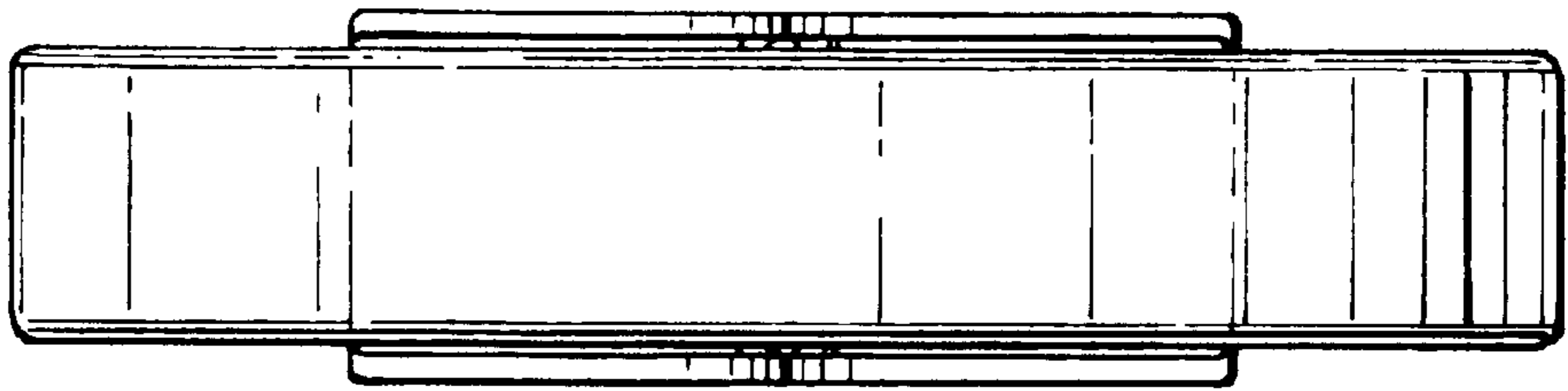


Fig.5.

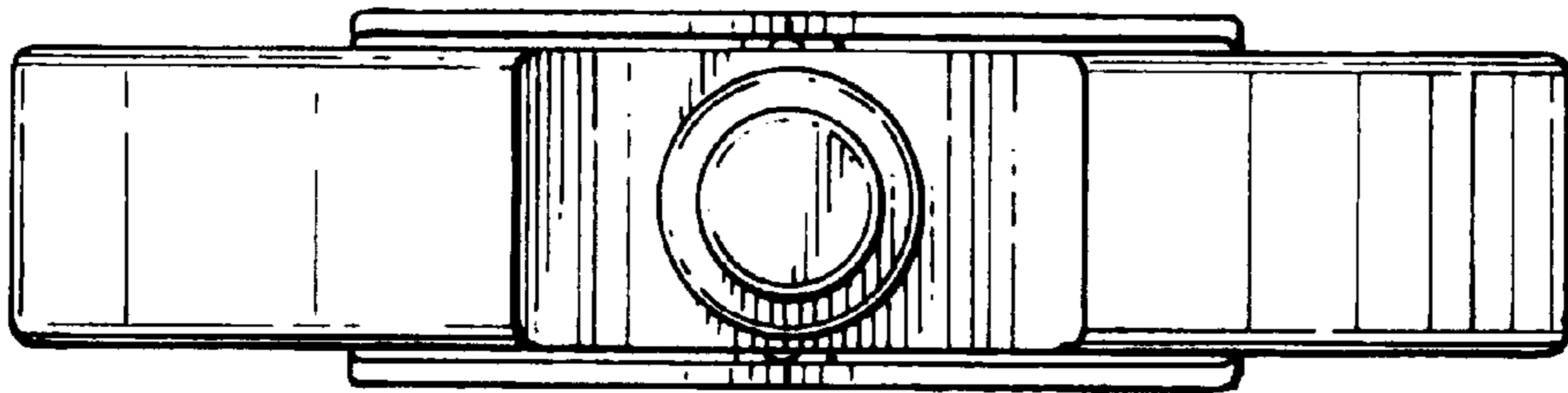


Fig.8.