



US00D428334S

United States Patent [19] Serfaty

[11] Patent Number: **Des. 428,334**

[45] Date of Patent: **** Jul. 18, 2000**

[54] **BOX**

5,536,194 7/1996 Larsen et al. 229/109
5,718,358 2/1998 Rench et al. 229/109

[76] Inventor: **Isaac B. Serfaty**, AV Bogota Res La
Cascada, Apto #5 Urb Los Caobos,
Caracas, Venezuela, 1050

OTHER PUBLICATIONS

Bulletin of Industrial Property, Jan. 8, 1999, p. 139.
Bulletin of Industrial Property, Oct. 8, 1999, p. 108.

[**] Term: **14 Years**

Primary Examiner—James Gandy
Assistant Examiner—Carol Rademaker
Attorney, Agent, or Firm—Richard C. Litman

[21] Appl. No.: **29/113,299**

[22] Filed: **Nov. 3, 1999**

[51] **LOC (7) Cl.** **09-03**

[52] **U.S. Cl.** **D9/430; D9/433**

[58] **Field of Search** D9/305, 307, 337,
D9/339, 414, 430-433, 434; 229/109, 110,
116.1

[57] CLAIM

The ornamental design for a box, as shown and described.

DESCRIPTION

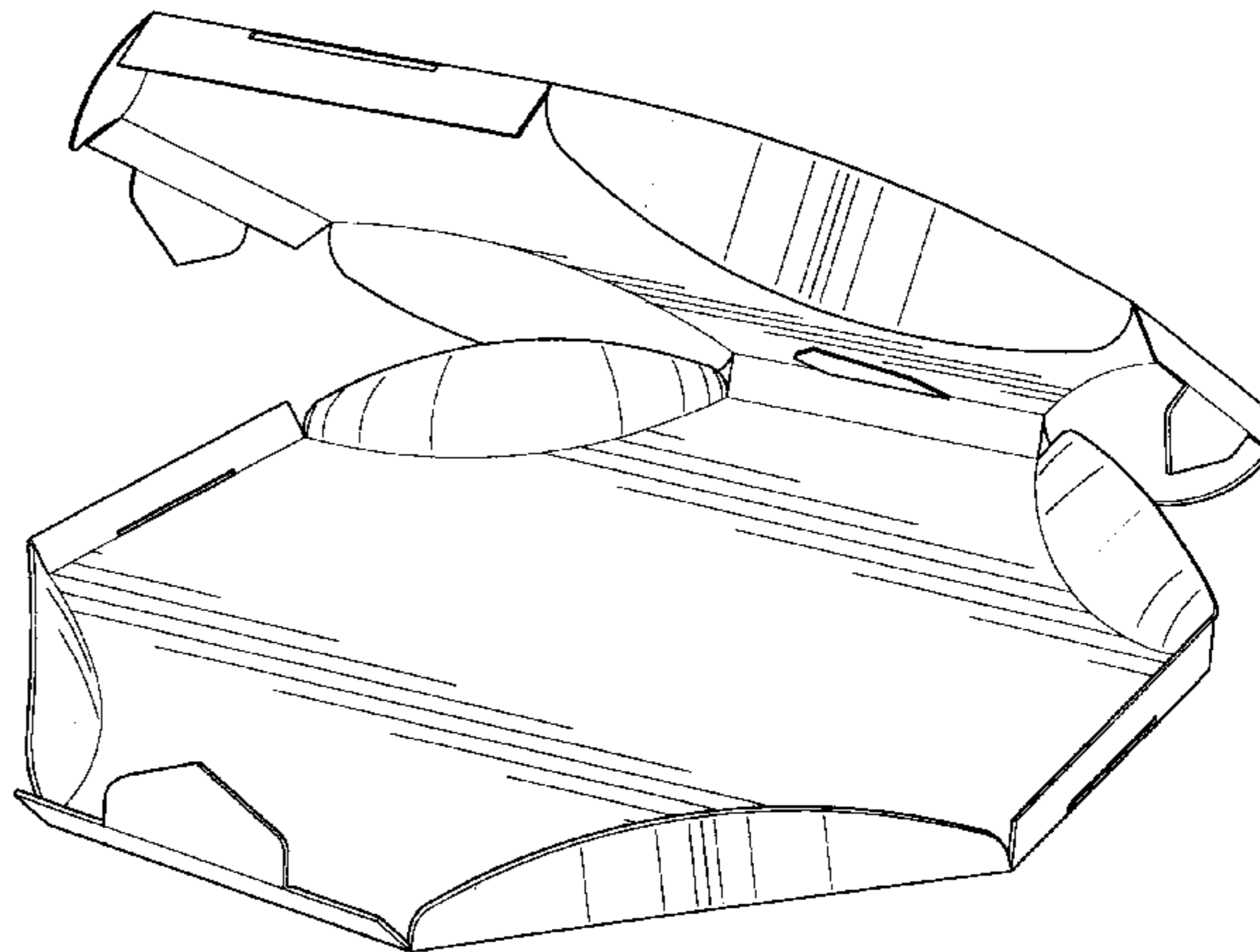
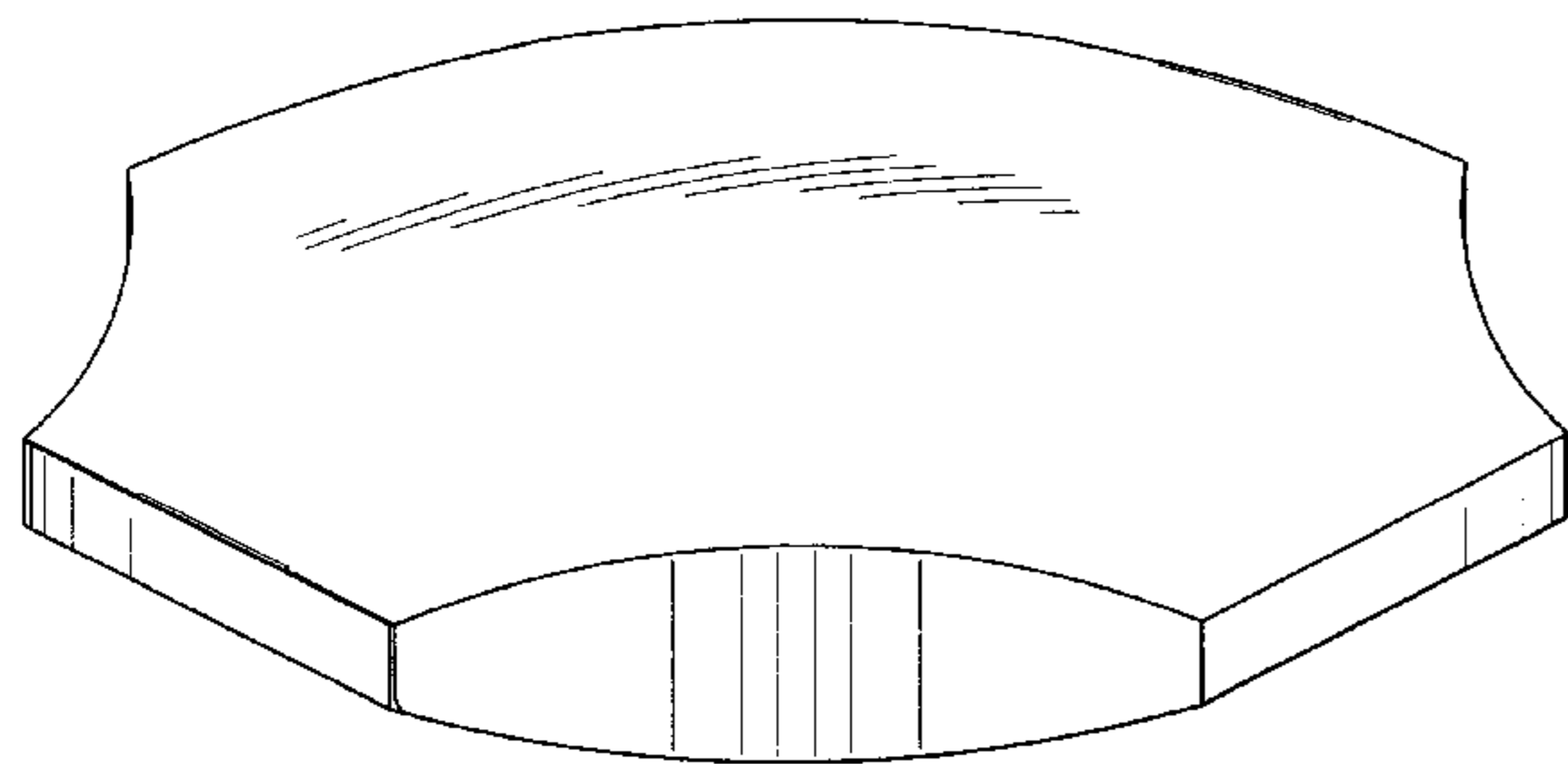
FIG. 1 is a perspective view of a box showing my new design;
FIG. 2 is a top plan view thereof;
FIG. 3 is a bottom plan view thereof;
FIG. 4 is a front elevational view with the rear view being a mirror image thereof;
FIG. 5 is a right side elevational view with the left side being a mirror image thereof;
FIG. 6 is an exploded view showing how the components fit together;
FIG. 7 is a view showing the box in unfolded condition; and,
FIG. 8 is a perspective view of an open box showing the components folded.

[56] References Cited

U.S. PATENT DOCUMENTS

D. 211,564	7/1968	Bailey	D9/433
D. 290,813	7/1987	Forbes, Jr.	D9/433
D. 385,185	10/1997	Rench et al.	D9/430
D. 397,294	8/1998	Saulas	D9/430
2,307,076	1/1943	Ray	53/449
2,925,213	2/1960	Zukoski	229/109
3,447,672	6/1969	Bailey et al.	229/116.1
4,620,666	11/1986	Lacasa et al.	229/110
4,765,534	8/1988	Zion et al.	229/109
5,118,032	6/1992	Geho	229/110
5,226,587	7/1993	Eisman et al.	229/110

1 Claim, 6 Drawing Sheets



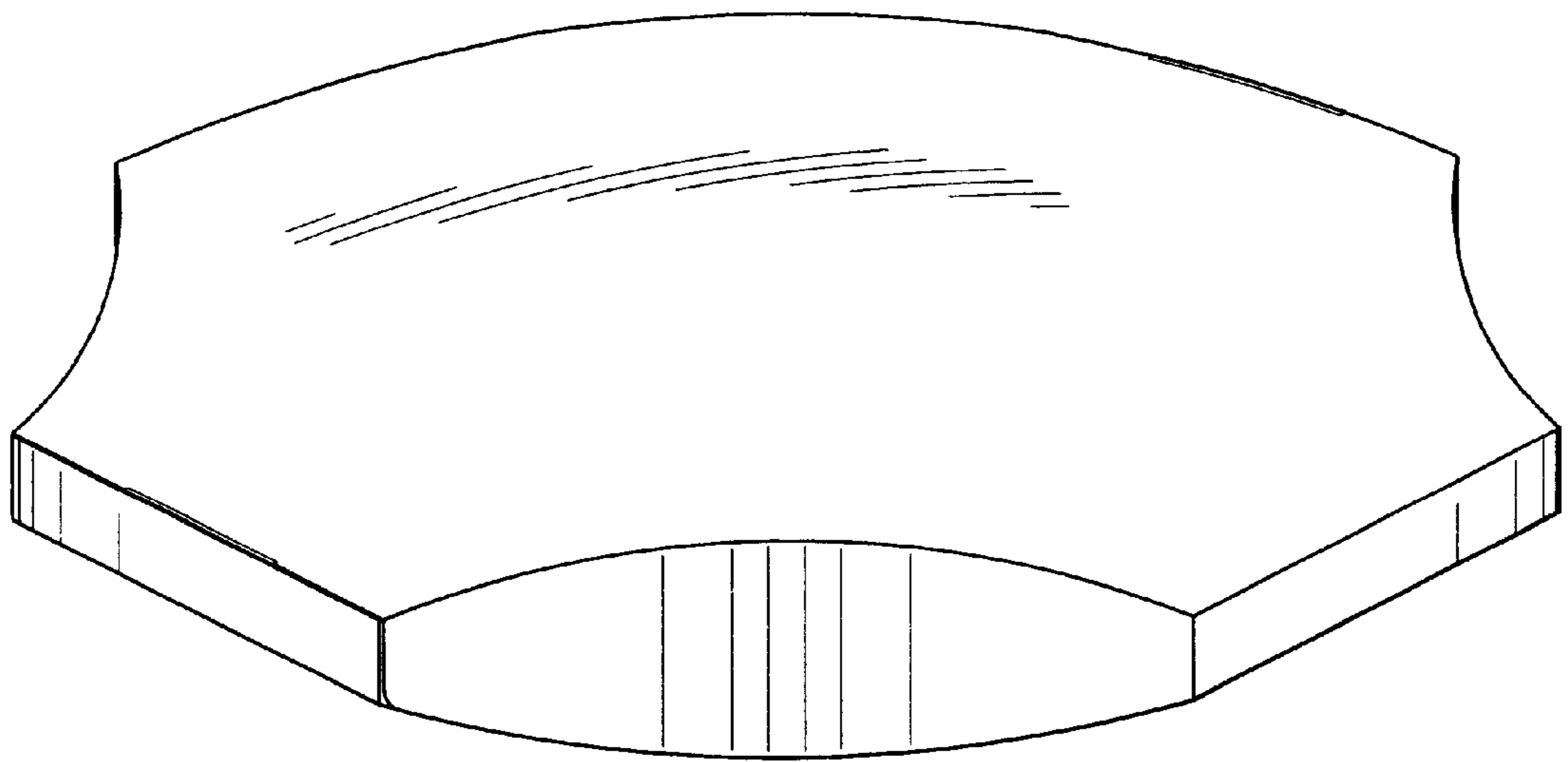


Fig. 1

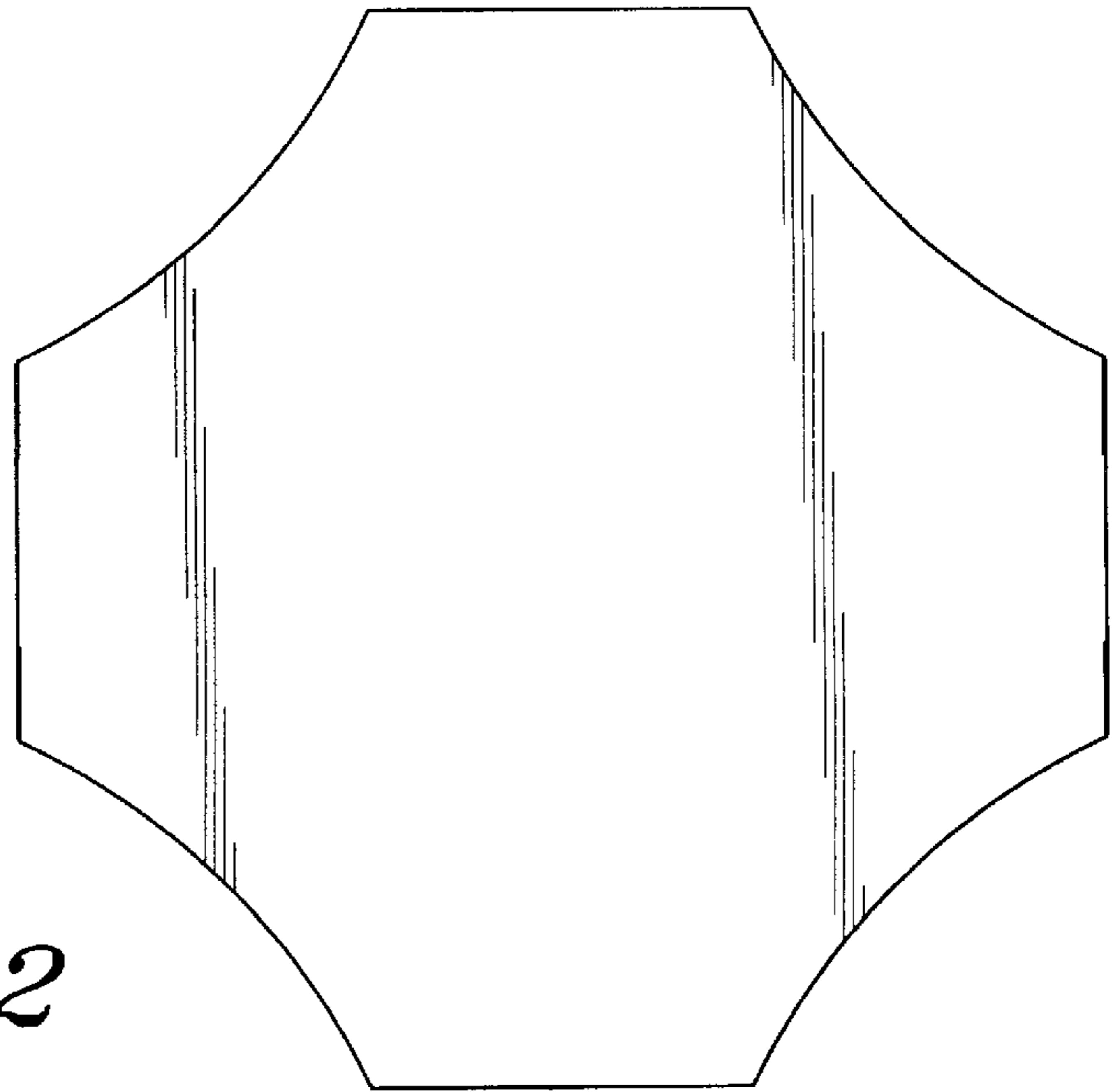


Fig. 2

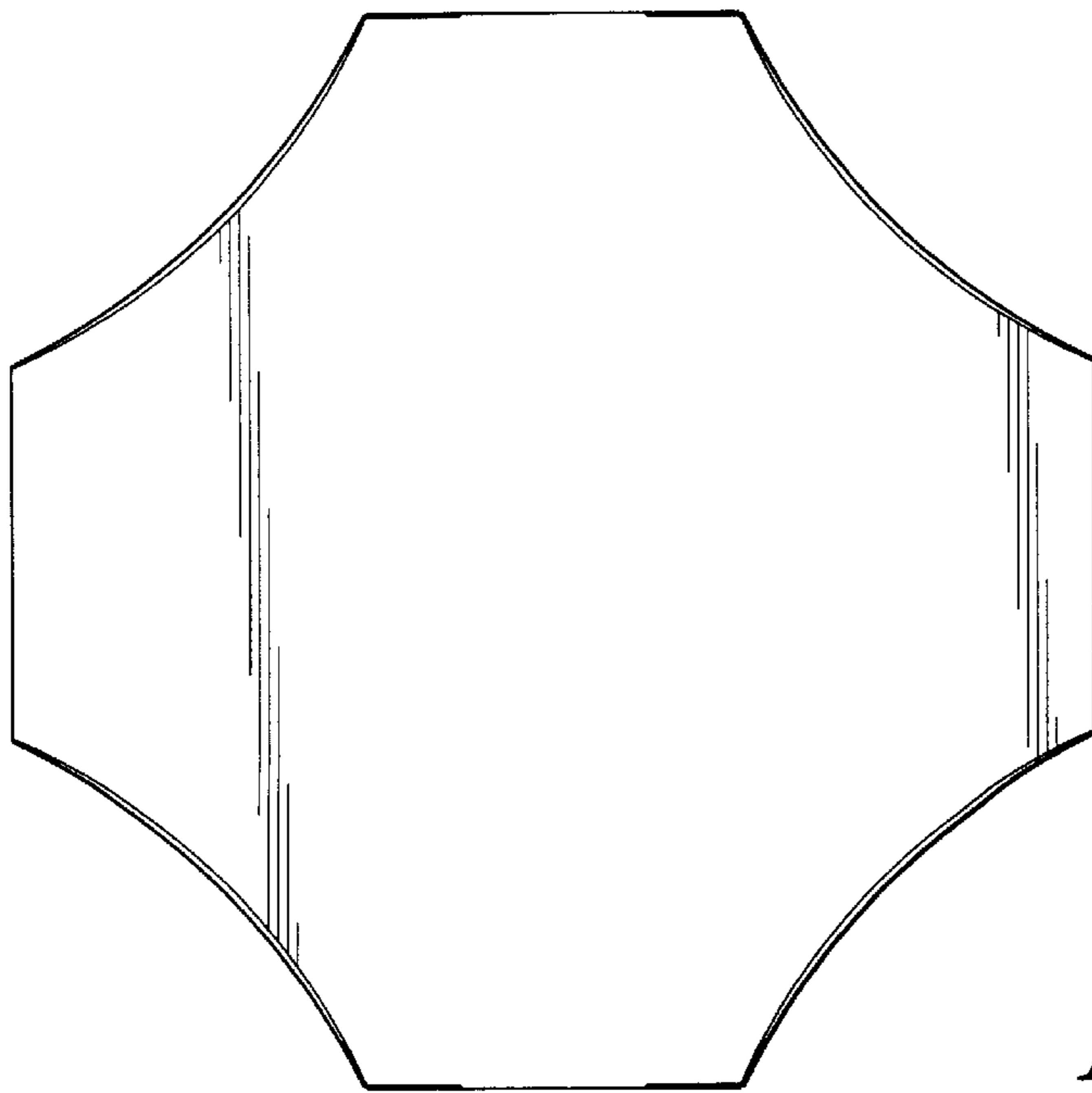


Fig. 3

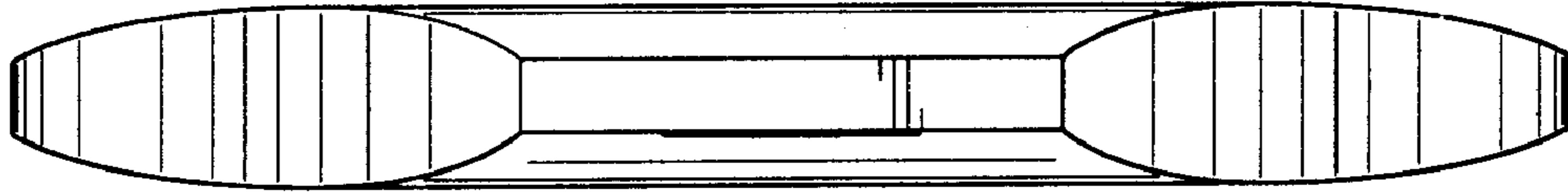


Fig. 4

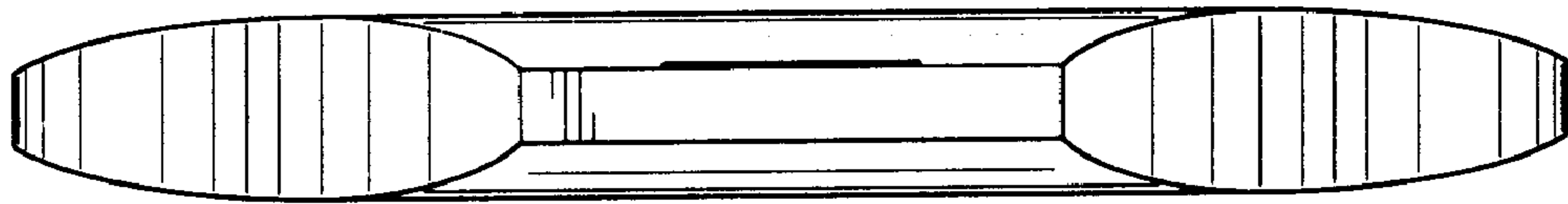


Fig. 5

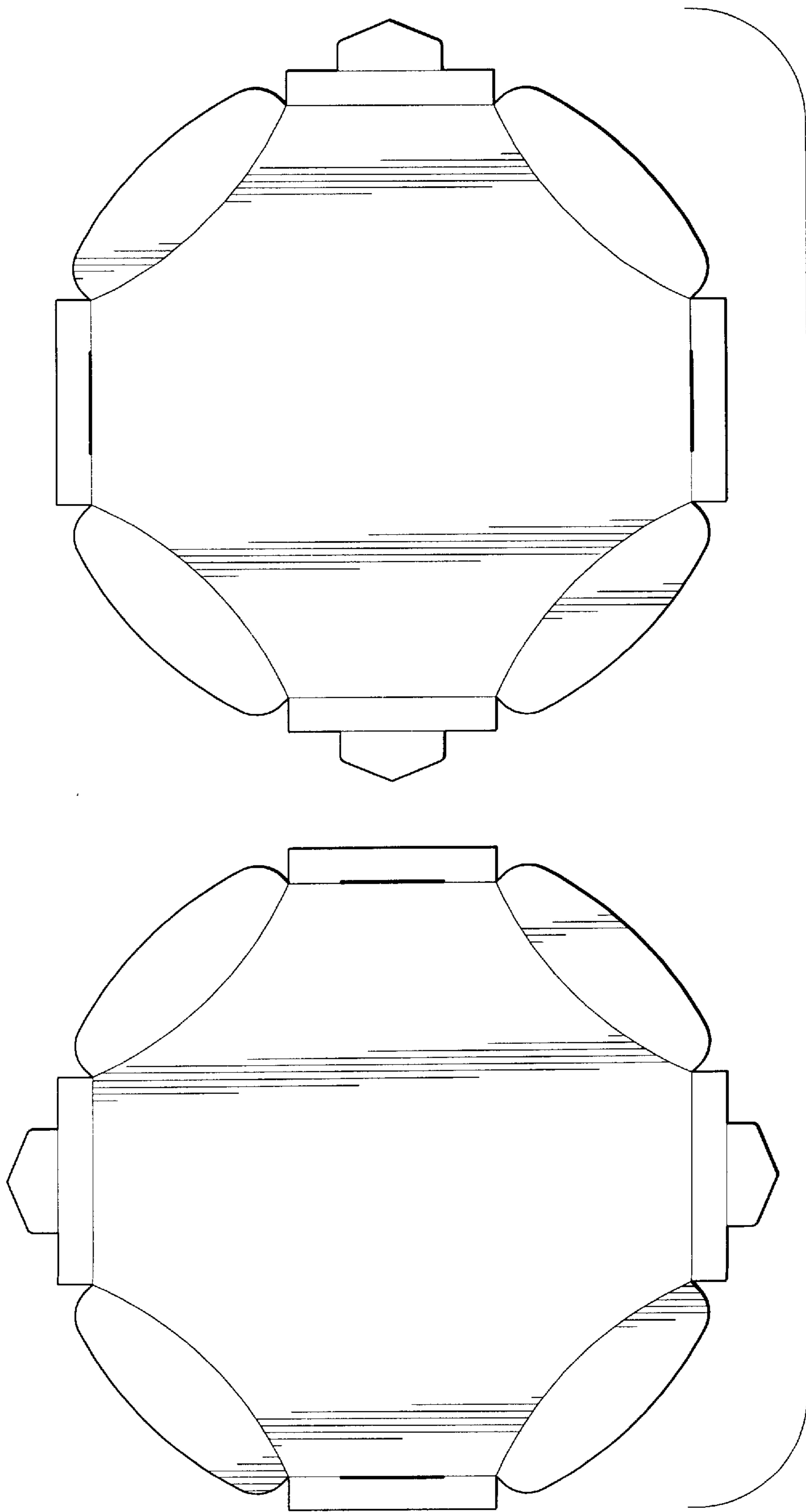


Fig. 6

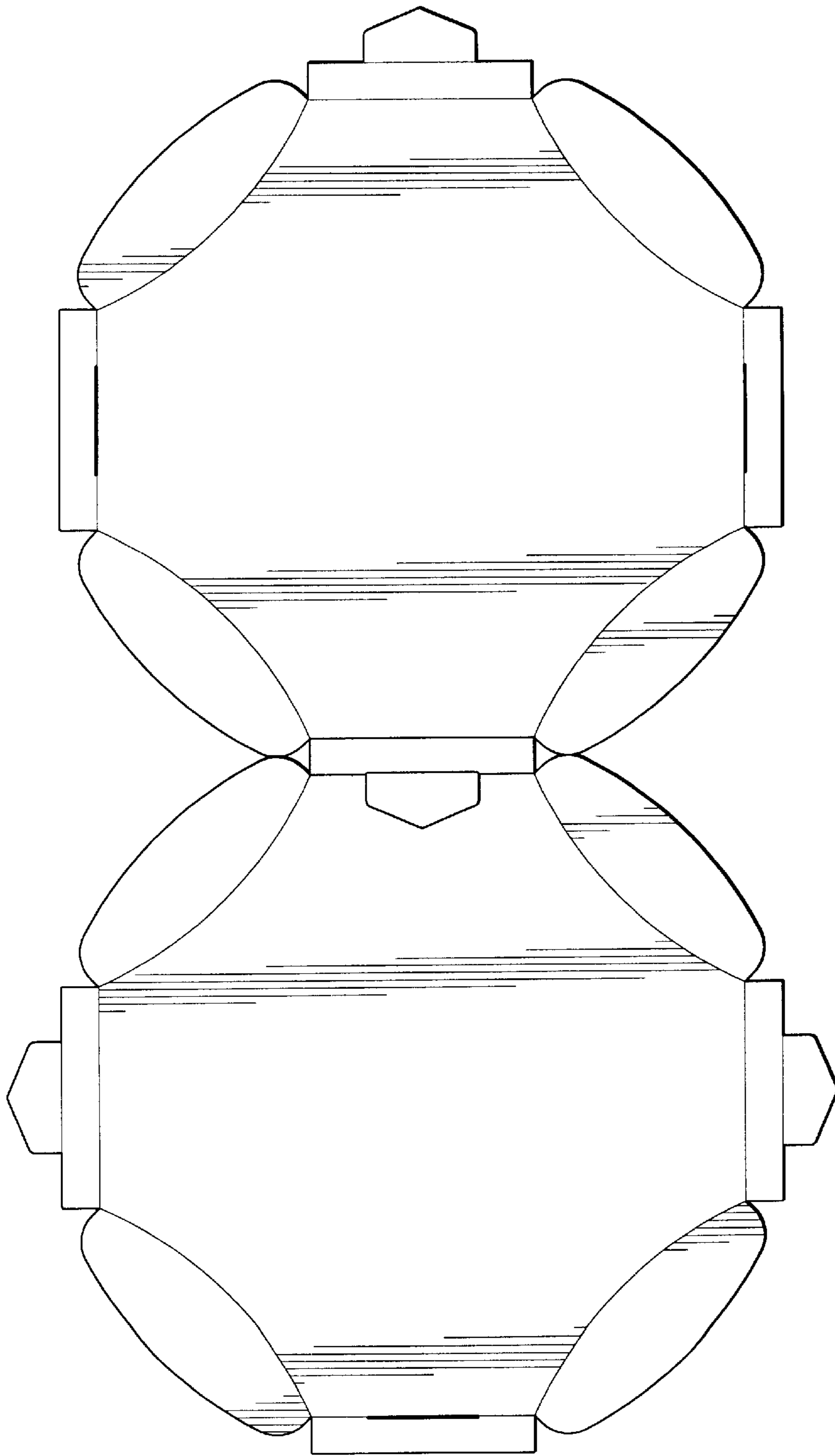


Fig. 7

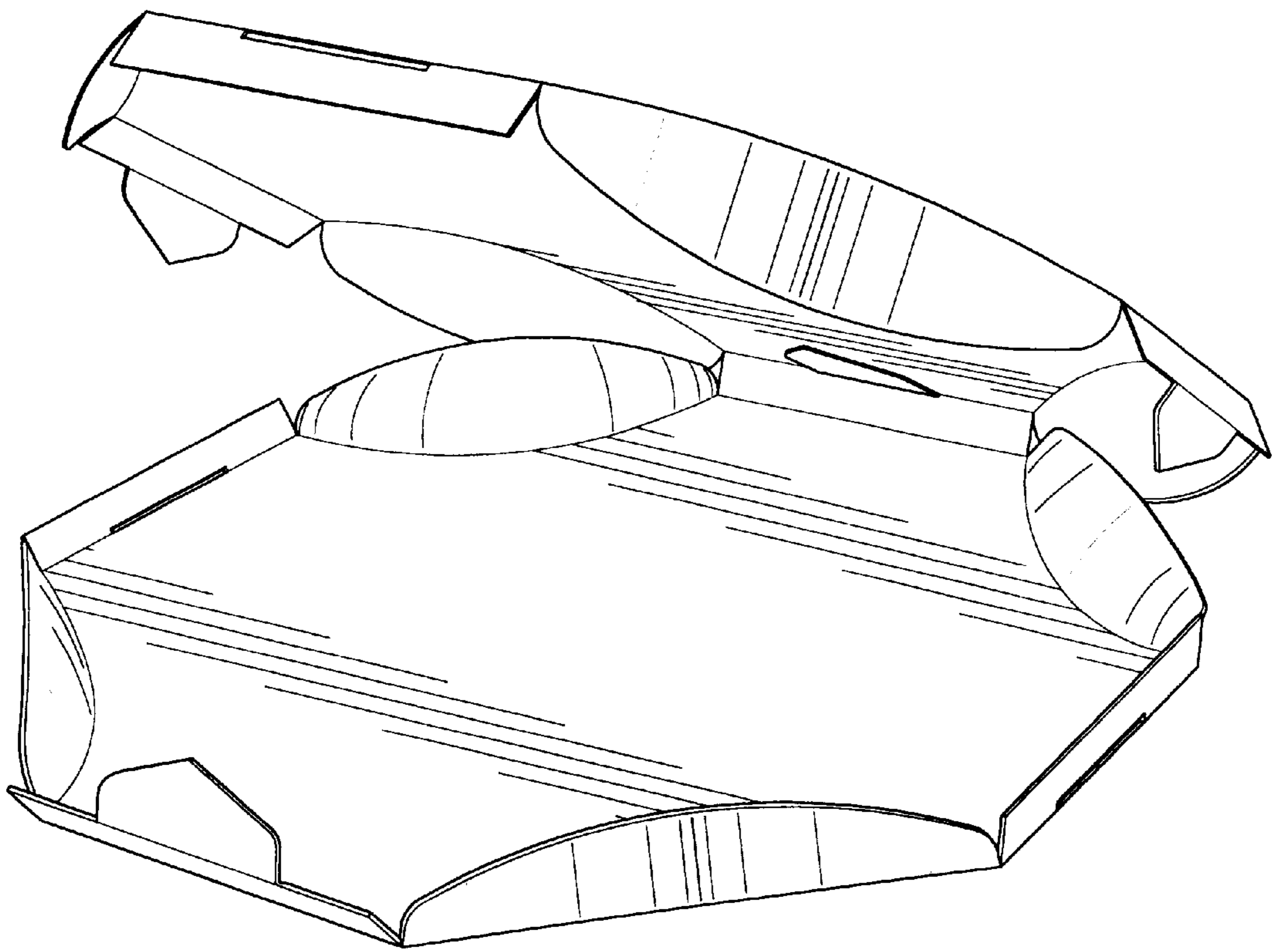


Fig. 8