



US00D428331S

United States Patent [19] MacTavish

[11] **Patent Number: Des. 428,331**

[45] **Date of Patent: ** Jul. 18, 2000**

[54] **PACKAGE FOR SABOTS AND BULLETS**

4,899,882 2/1990 Benner 206/470
5,819,939 10/1998 Boyer 206/461

[75] Inventor: **William D. MacTavish**, Hopkinsville, Ky.

OTHER PUBLICATIONS

Modern Packaging, p. 300, Jan. 1941.
Techform Inc, Nov. 1982.

[73] Assignee: **C & D Special Products, Inc.**, Hopkinsville, Ky.

Primary Examiner—Prabhakar Deshmukh
Attorney, Agent, or Firm—Wadley & Patterson; Mark J. Patterson

[**] Term: **14 Years**

[21] Appl. No.: **29/102,758**

[57] CLAIM

[22] Filed: **Mar. 31, 1999**

The ornamental design for a package for sabots and bullets, as shown and described.

[51] **LOC (7) Cl.** **09-07**

DESCRIPTION

[52] **U.S. Cl.** **D9/415; D9/418**

[58] **Field of Search** D9/415, 418, 341, D9/347, 425, 423, 337; 206/461-471, 495, 806, 216, 579, 3, 769, 770, 771, 776; 220/253, 374, 377, 662; 229/116.1, 125.015, 406

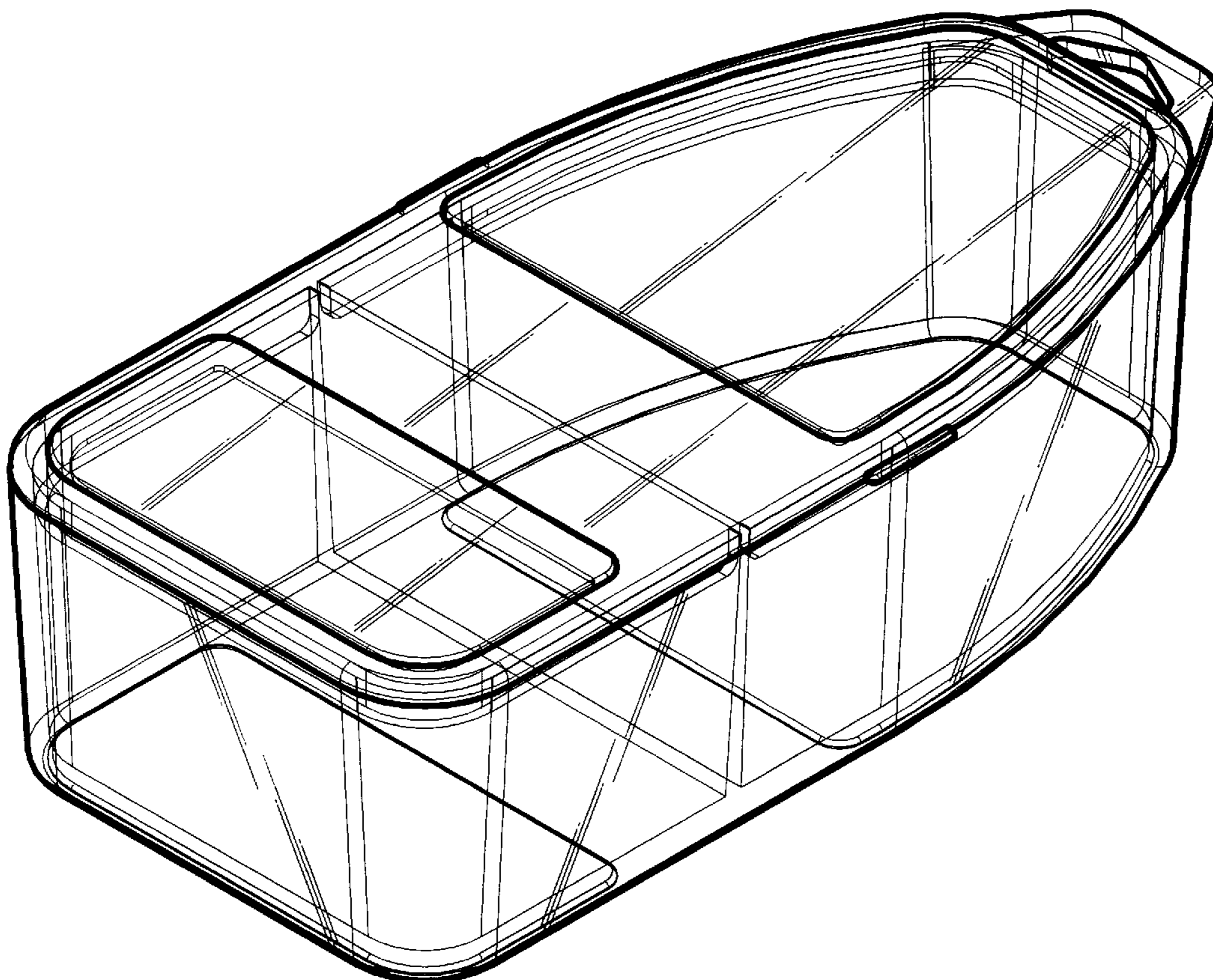
FIG. 1 is a perspective view of a package for sabots and bullets showing my new design;
FIG. 2 is a top plan view of a package lid, shown separately for clarity;
FIG. 3 is a top plan view of a package bottom, shown separately for clarity;
FIG. 4 is a left side elevational view of FIG. 3; the right side elevational view being a mirror image thereof;
FIG. 5 is a front elevational view of FIG. 3;
FIG. 6 is a right side elevational view of FIG. 2, the left side elevational view being a mirror image thereof; and,
FIG. 7 is a front elevational view of FIG. 2.

[56] References Cited

U.S. PATENT DOCUMENTS

D. 216,171	11/1969	Murr	D9/415
D. 287,467	12/1986	Mallon	D9/415
D. 411,448	6/1999	Baker	D9/415
4,531,637	7/1985	Cusmano	206/461
4,632,242	12/1986	Choi et al.	206/806 X
4,687,129	8/1987	Cugley	206/470 X
4,742,914	5/1988	Klein	206/461

1 Claim, 5 Drawing Sheets



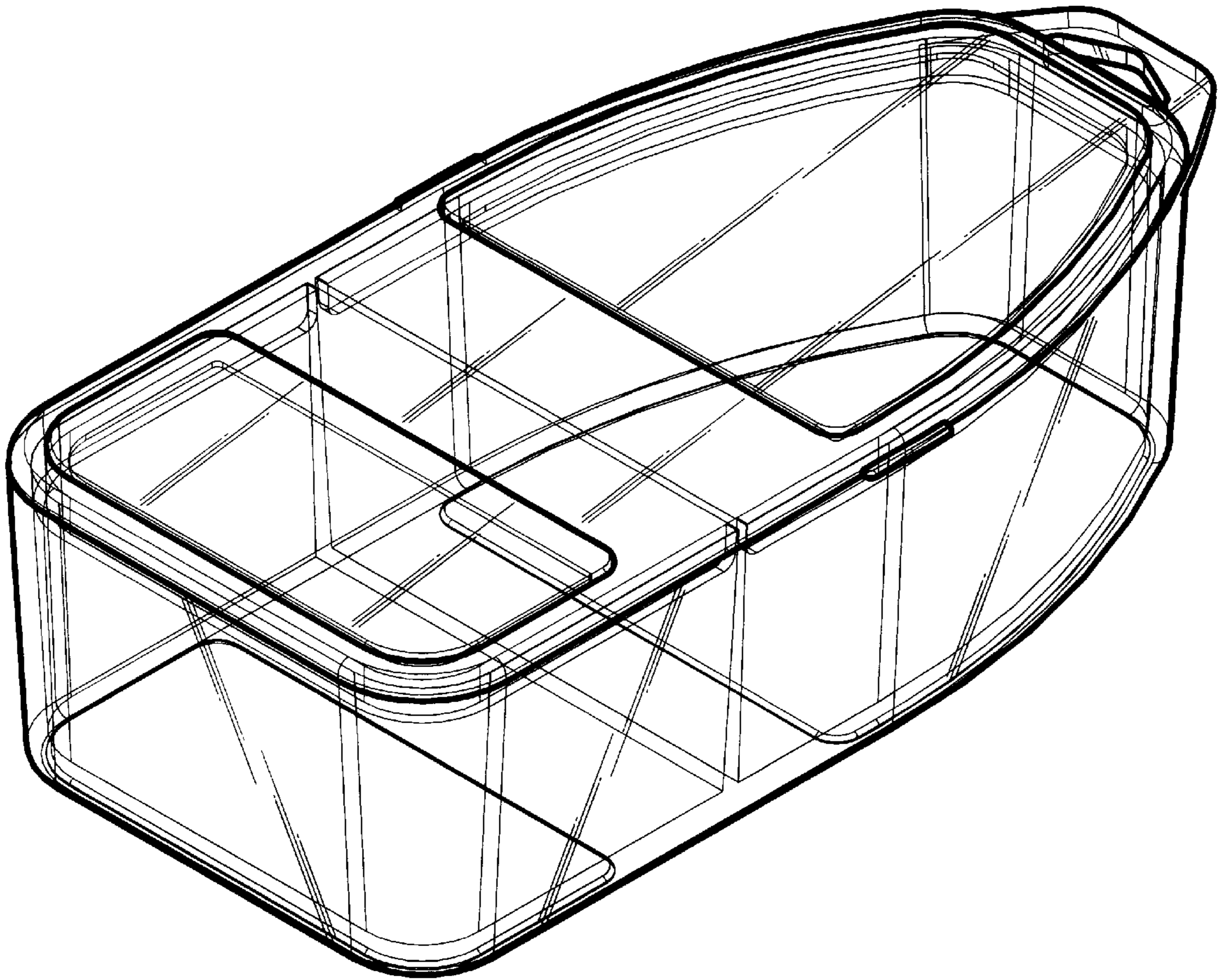


FIG. 1

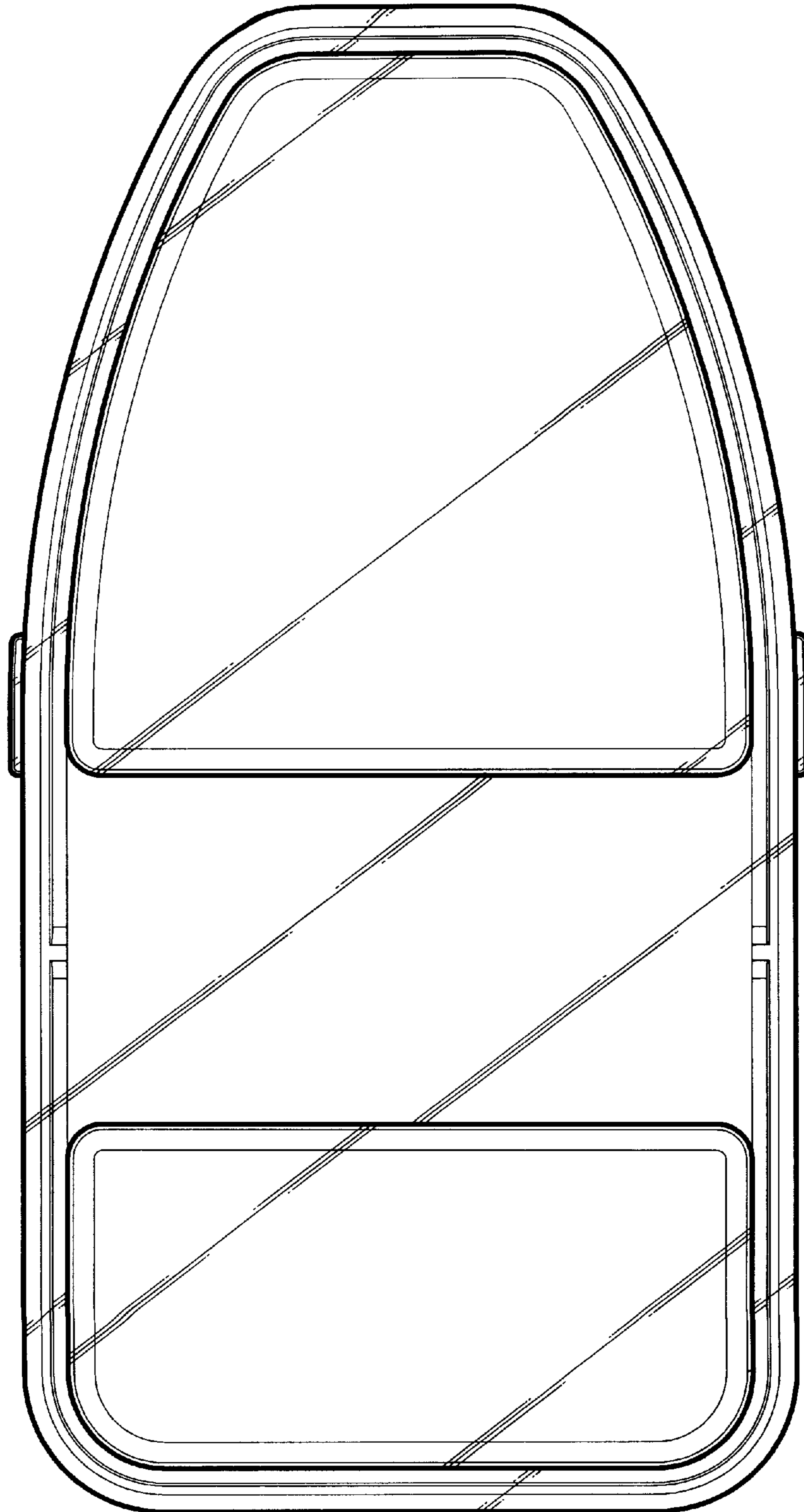


FIG. 2

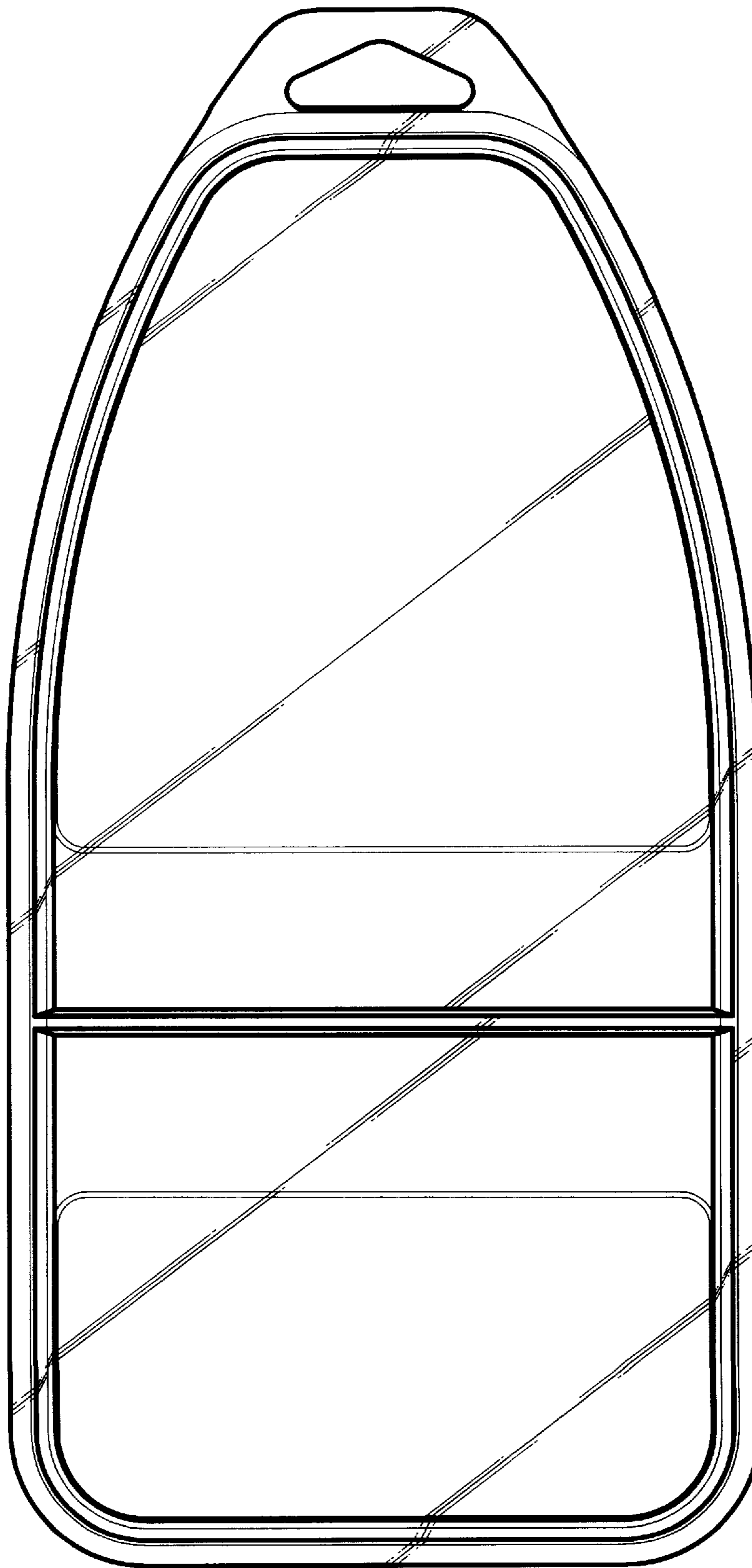


FIG. 3

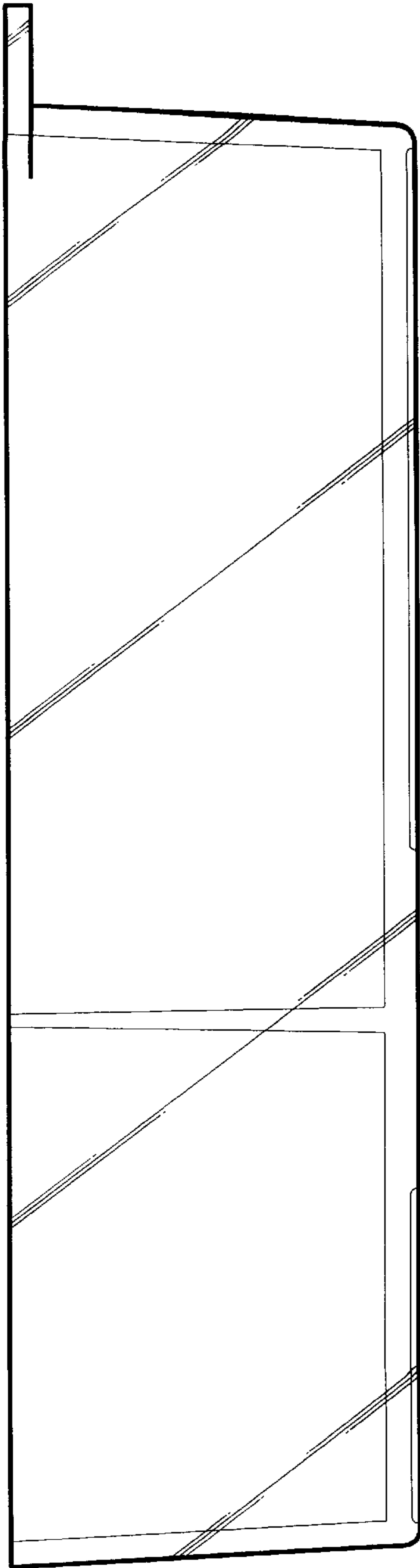


FIG. 4

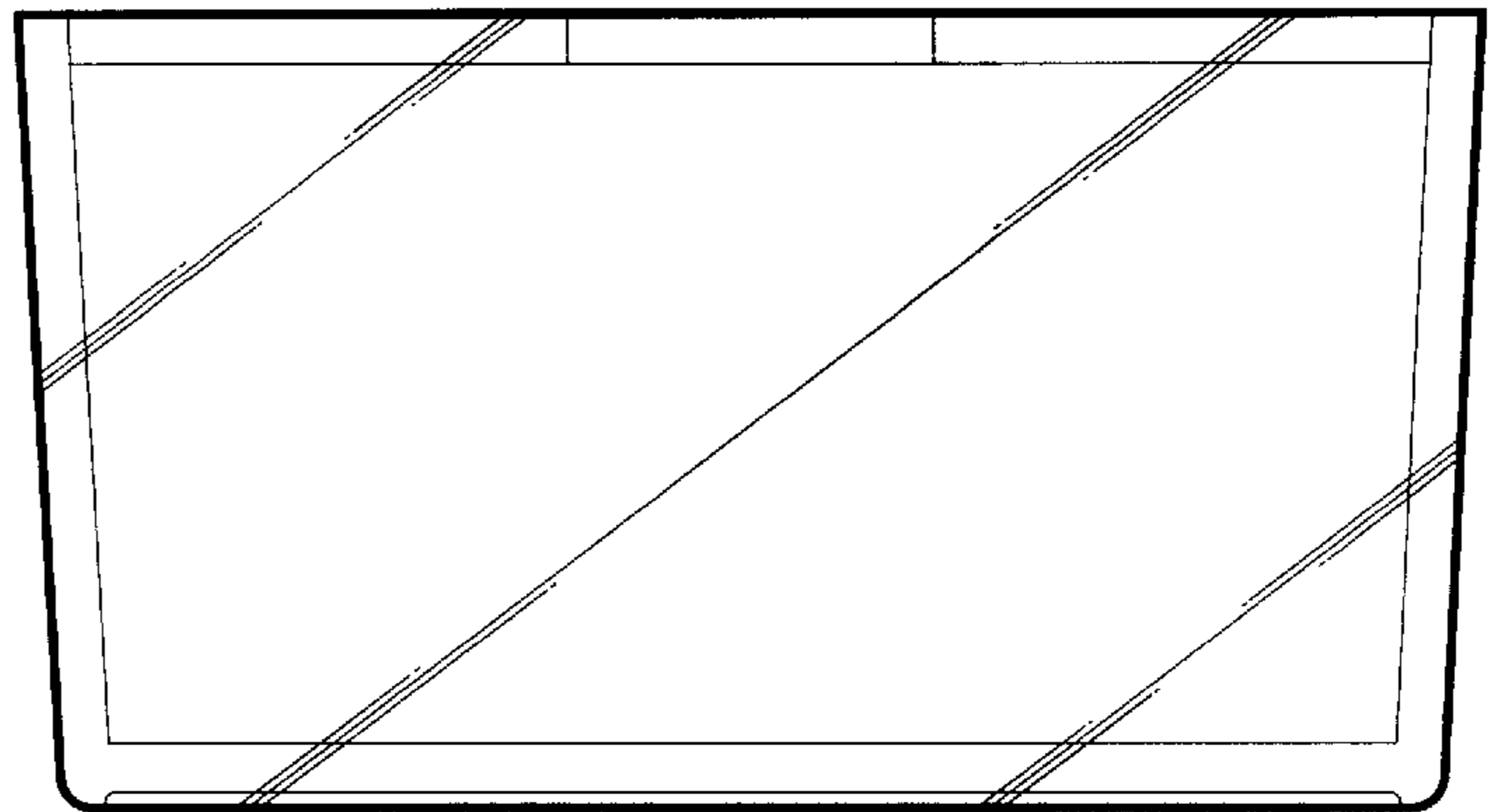


FIG. 5

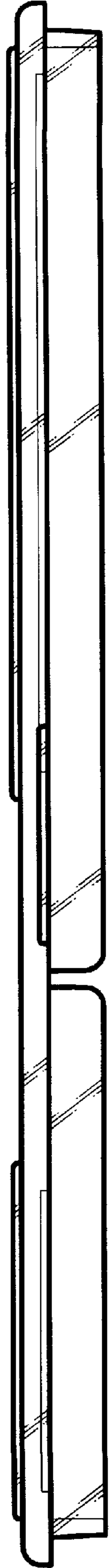


FIG. 6



FIG. 7