



US00D428330S

United States Patent [19]

Johnston et al.

[11] Patent Number: Des. 428,330

[45] Date of Patent: ** Jul. 18, 2000

[54] FIBER OPTIC CABLE MANAGEMENT CLIP

5,794,895 8/1998 Bessener et al. 248/73
5,893,539 4/1999 Tran et al. 248/68.1

[75] Inventors: **Dare P. Johnston**, Hickory, N.C.;
Michael Mattei, Smithtown, N.Y.;
Robert P. Auteri, Hickory, N.C.;
Erwin F. Hani; **Michael T. Herda**,
both of Charlotte, N.C.; **Steven J.**
Muske, Batavia, Ohio; **David W.**
Suttie, Onalaska, Wis.

Primary Examiner—B. J. Bullock
Attorney, Agent, or Firm—Adams Law Firm, P.A.

[73] Assignee: **Ditel, Inc.**, Hickory, N.C.

[**] Term: **14 Years**

[21] Appl. No.: **29/104,825**

[22] Filed: **May 11, 1999**

[51] LOC (7) Cl. **08-08**

[52] U.S. Cl. **D8/395**; D8/396

[58] Field of Search D8/394-6, 356;
D13/154, 199; 174/93, 65 R, 65 G, 158 R,
161 R, 164; 248/73, 74.2, 316.7, 68.1;
385/134-6

[57] CLAIM

We claim the ornamental design for a fiber optic cable management clip, as shown.

DESCRIPTION

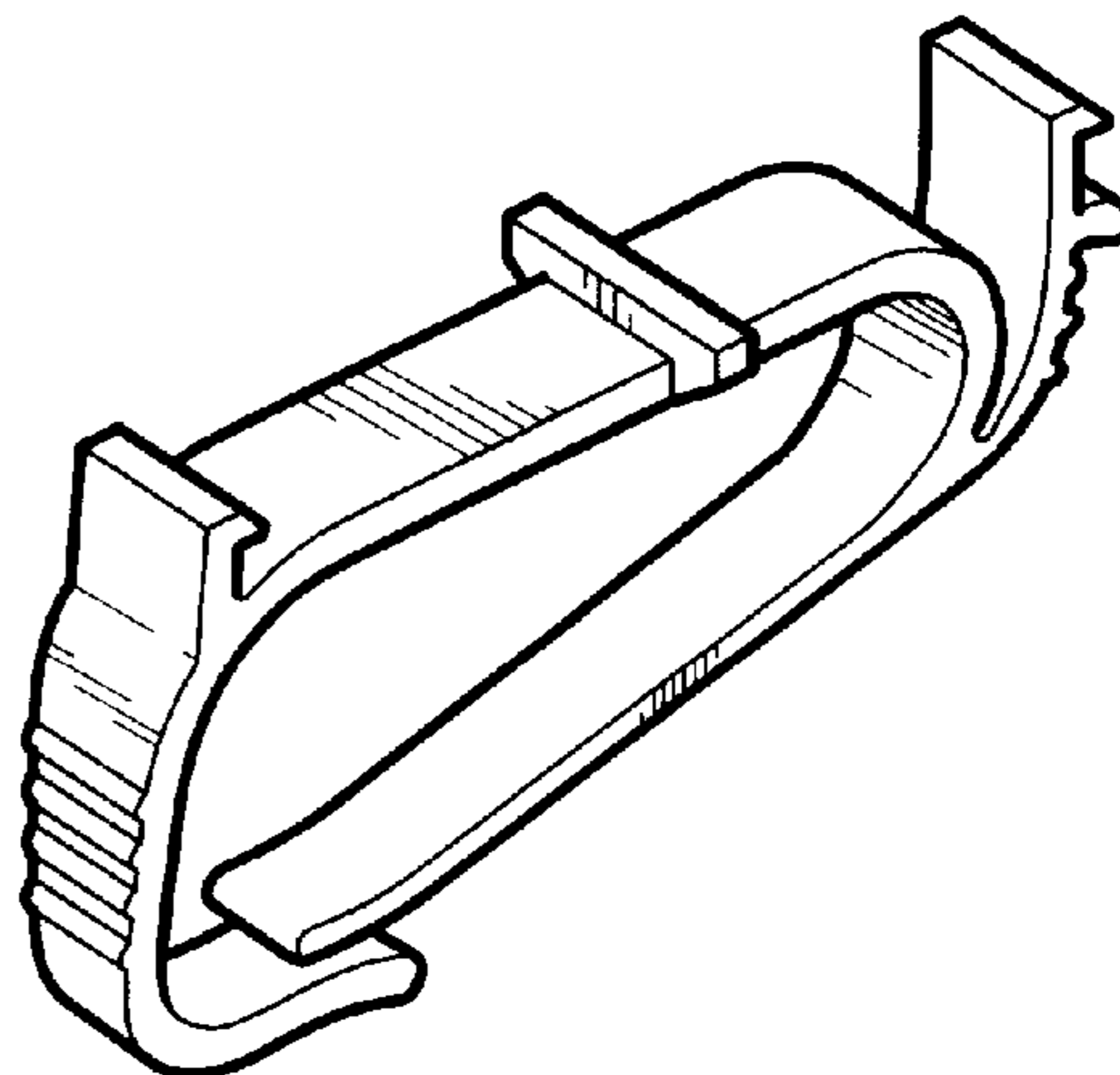
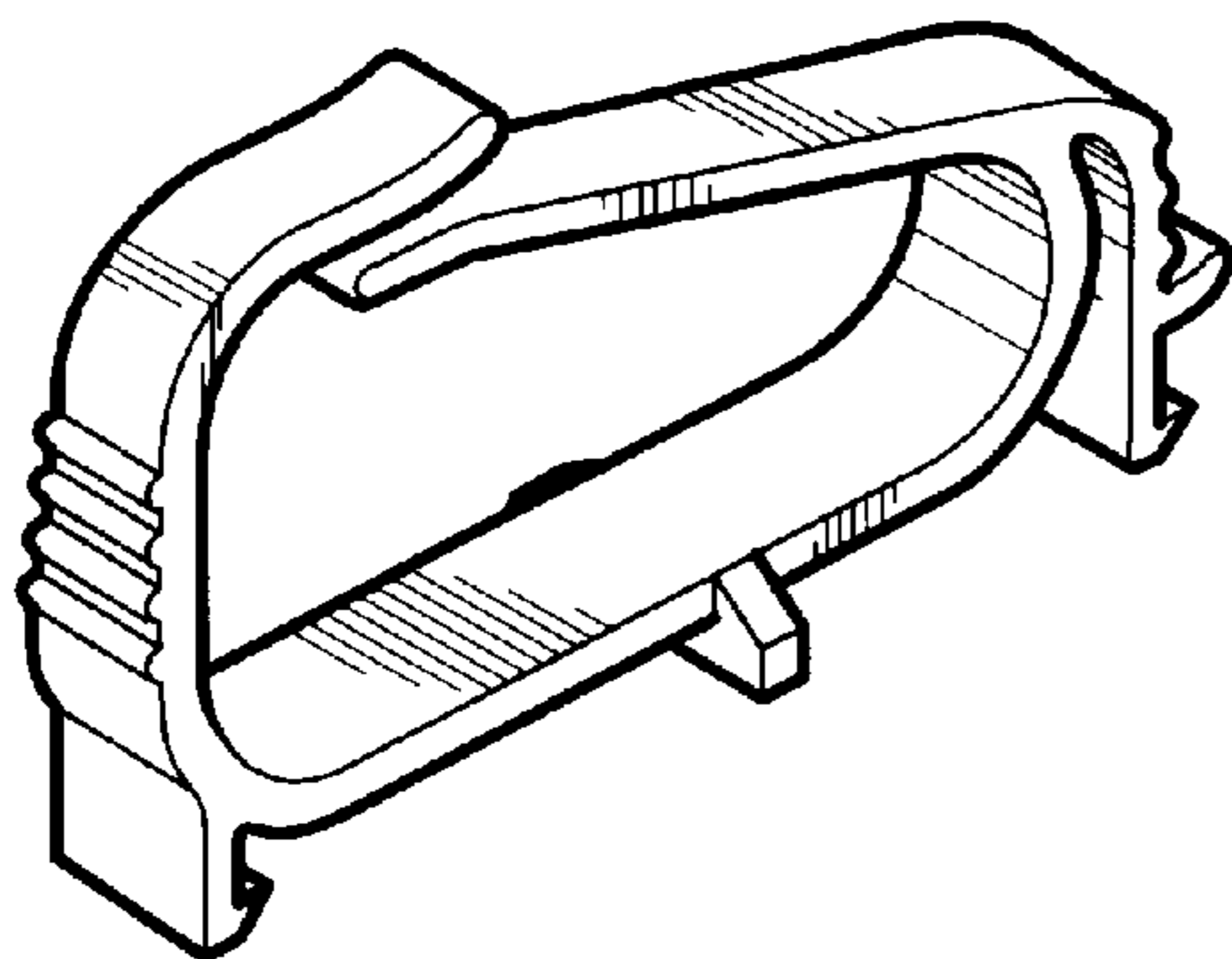
FIG. 1 is a top perspective view of the fiber optic cable management clip;
FIG. 2 is a bottom perspective view thereof;
FIG. 3 is a left side elevational view thereof;
FIG. 4 is a right side elevational view thereof;
FIG. 5 is a top plan view thereof;
FIG. 6 is a bottom plan view thereof;
FIG. 7 is a front elevational view thereof; and,
FIG. 8 is a back elevational view thereof.

[56] References Cited

U.S. PATENT DOCUMENTS

5,724,469 3/1998 Orlando 385/135

1 Claim, 4 Drawing Sheets



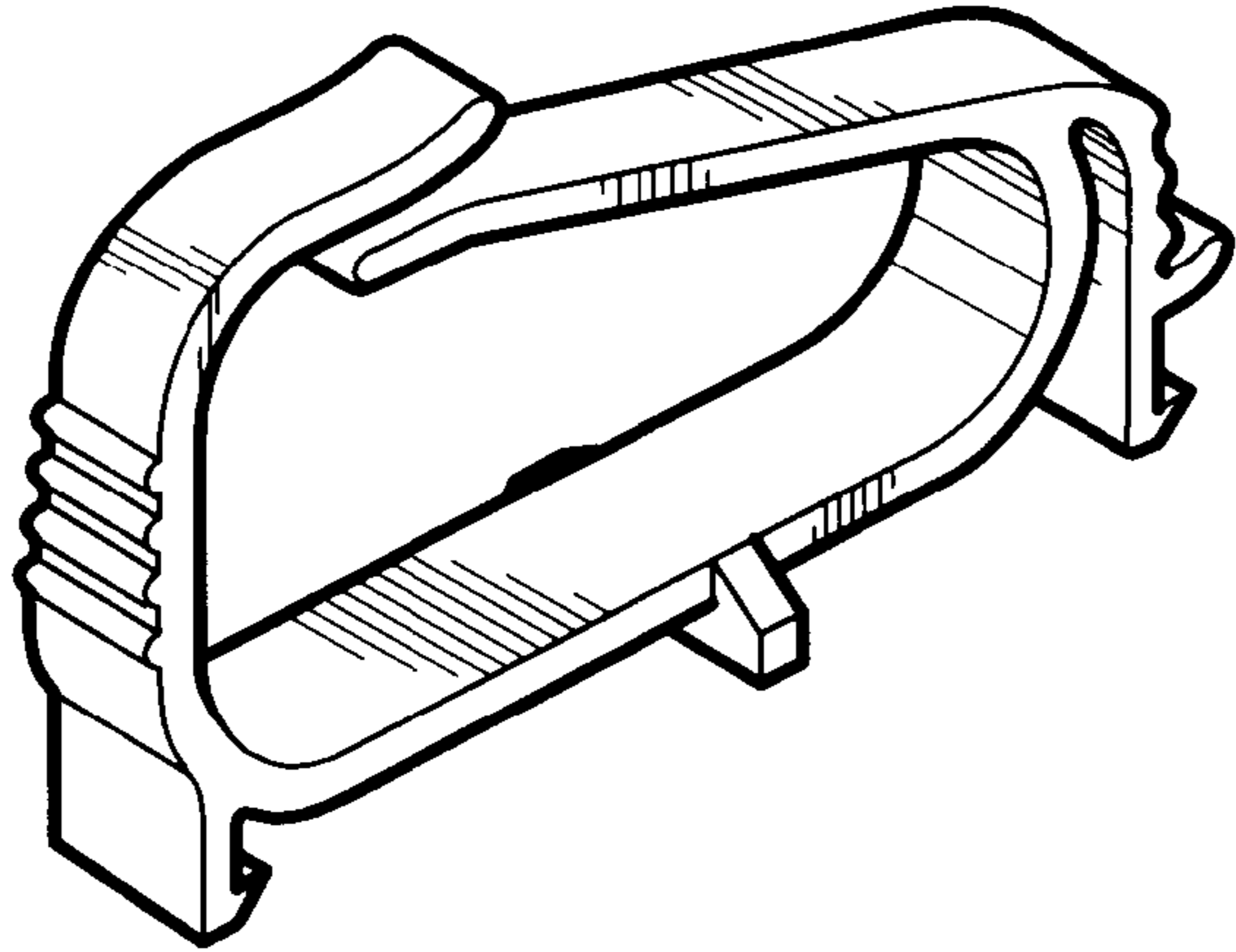


Fig. 1

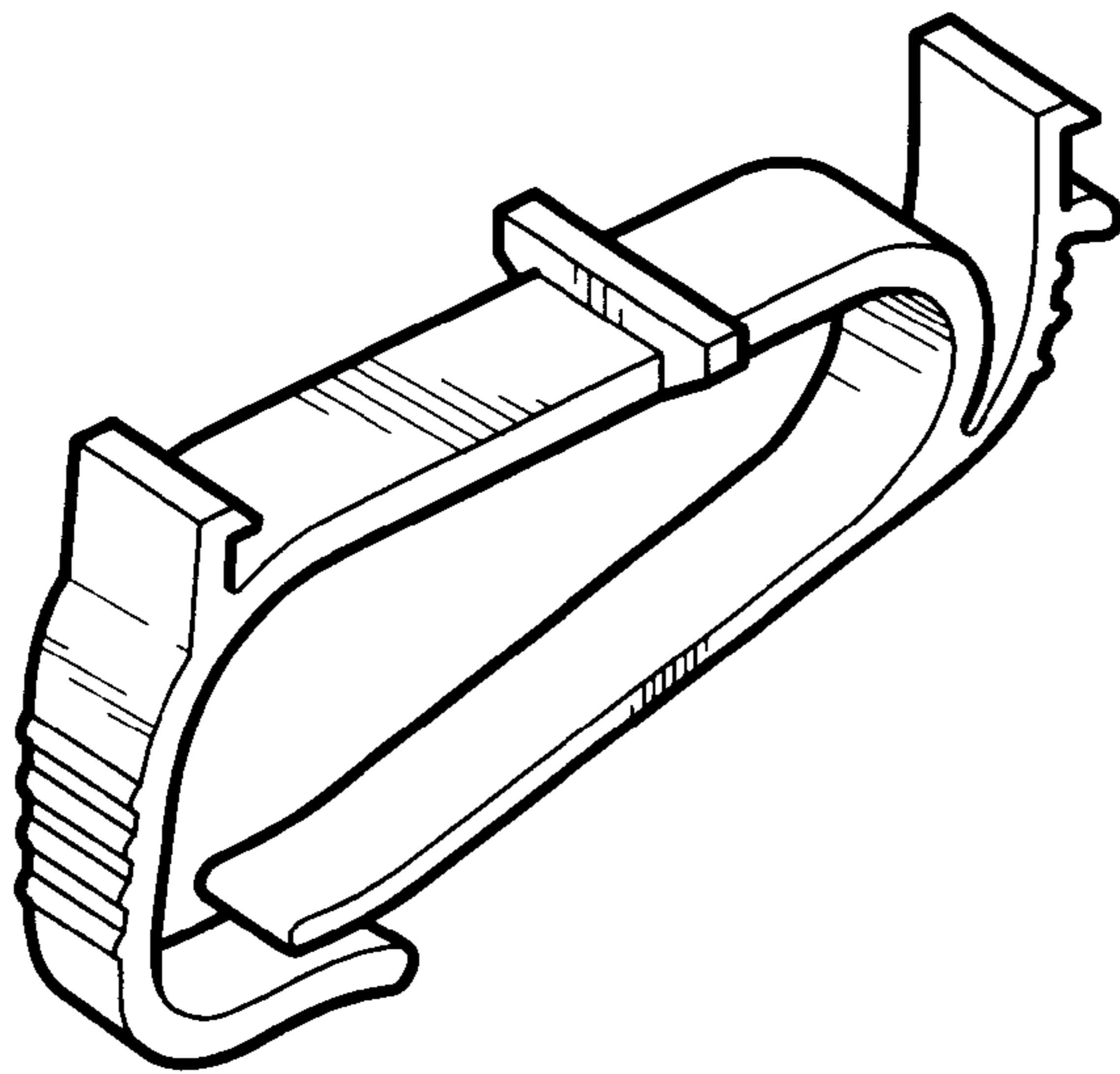


Fig. 2

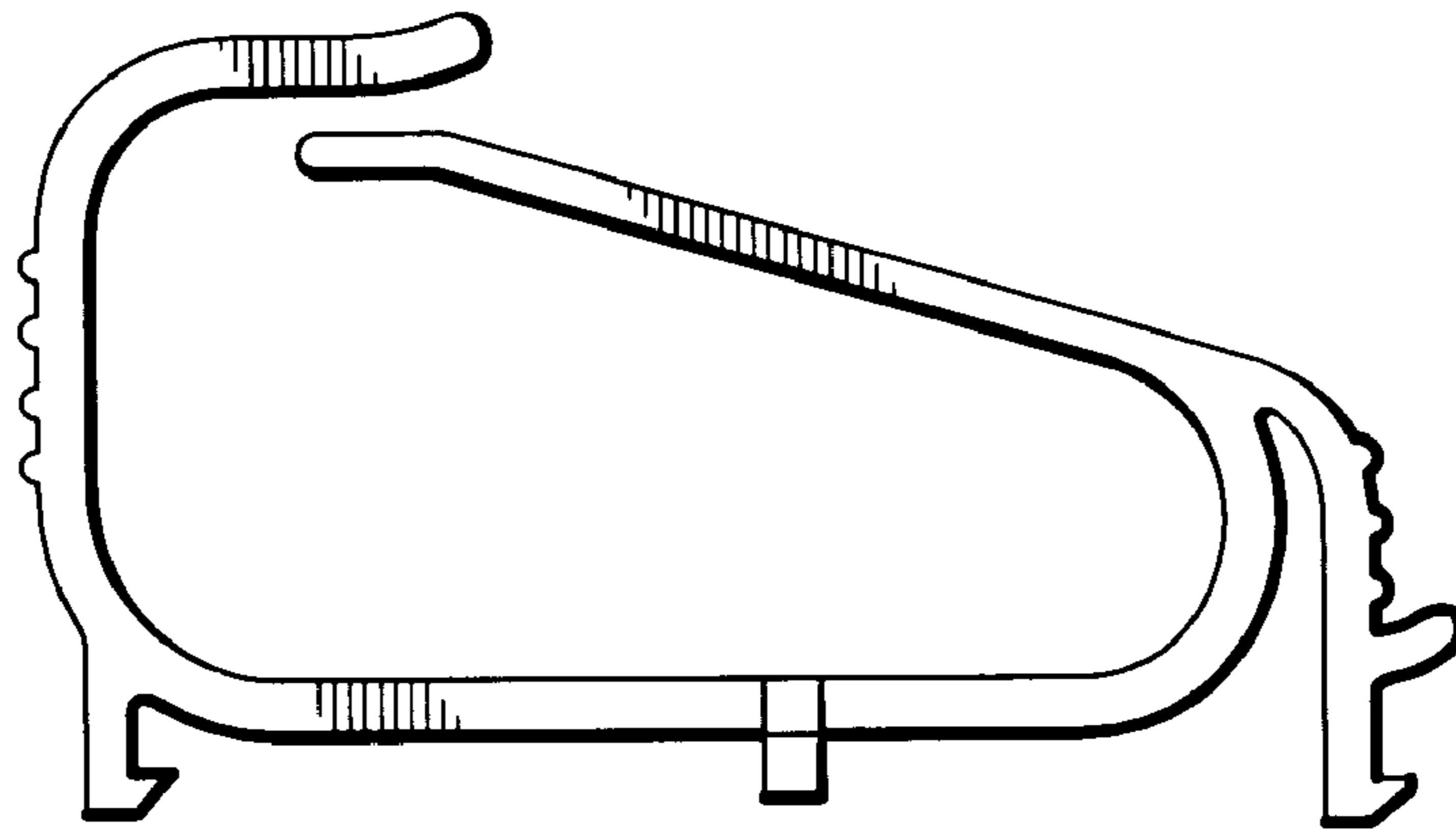


Fig. 3

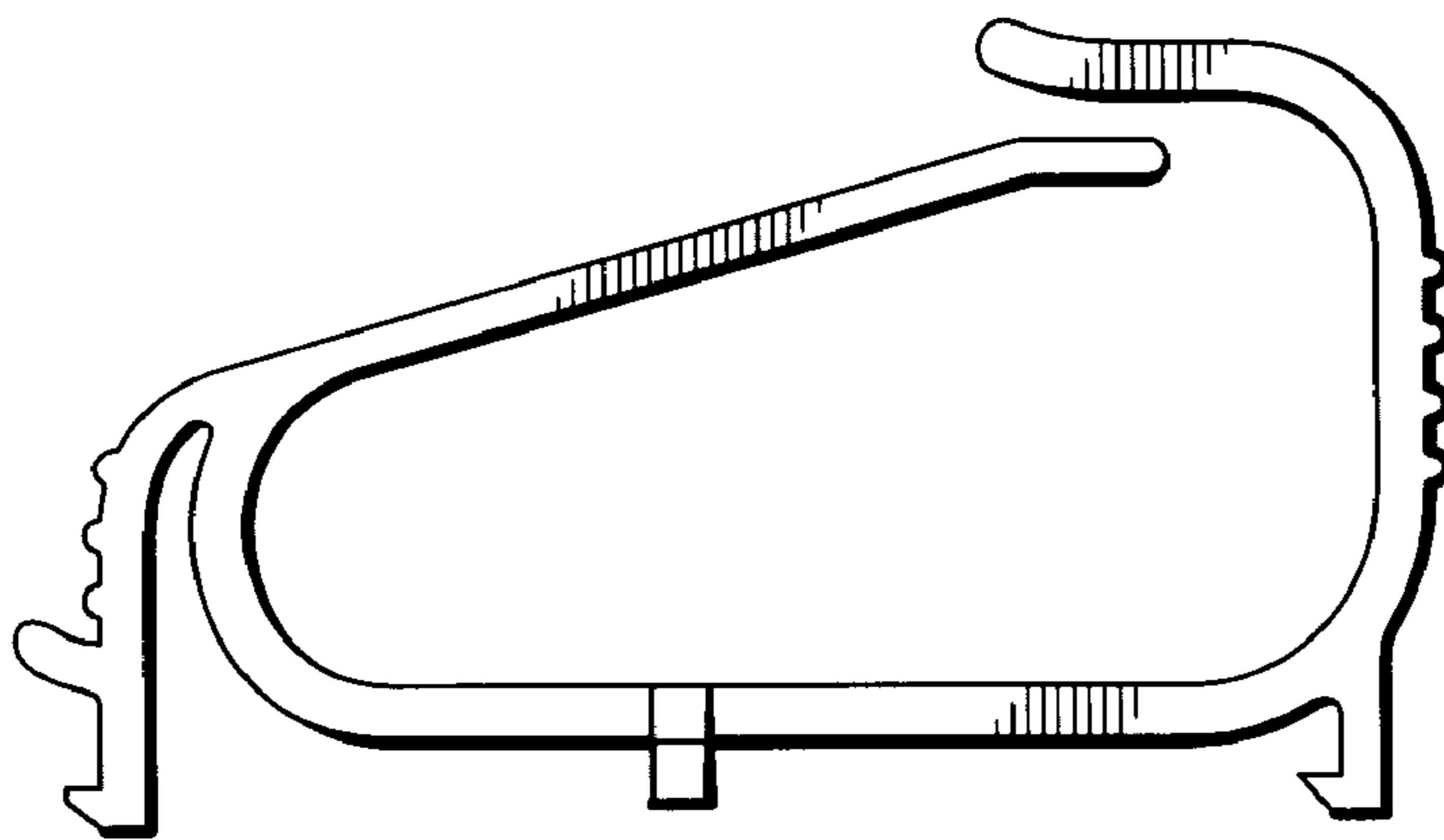


Fig. 4

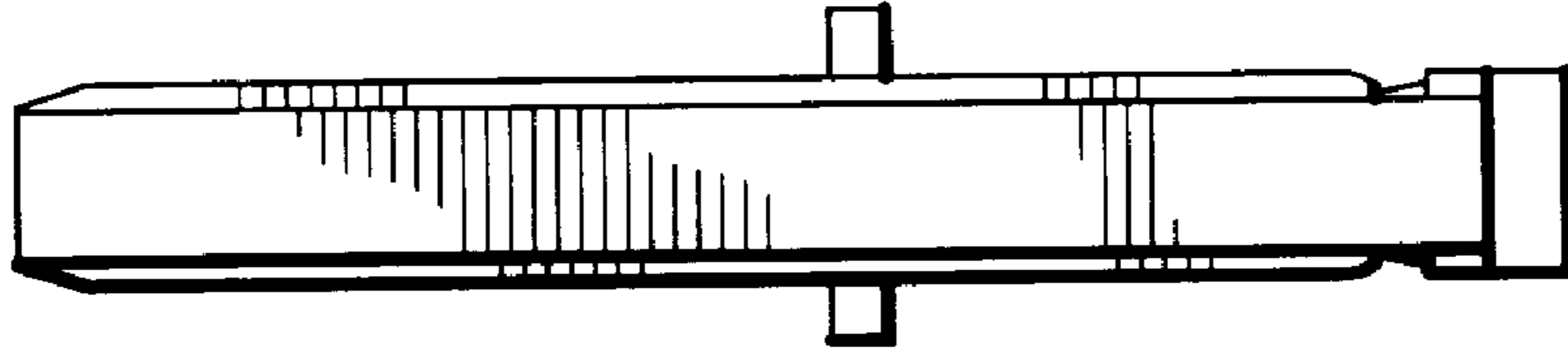


Fig. 5

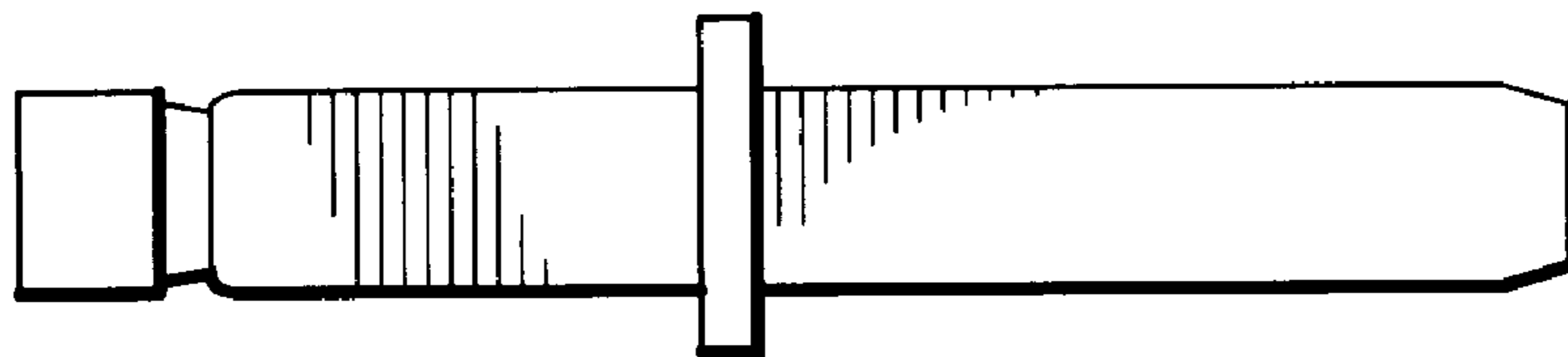


Fig. 6

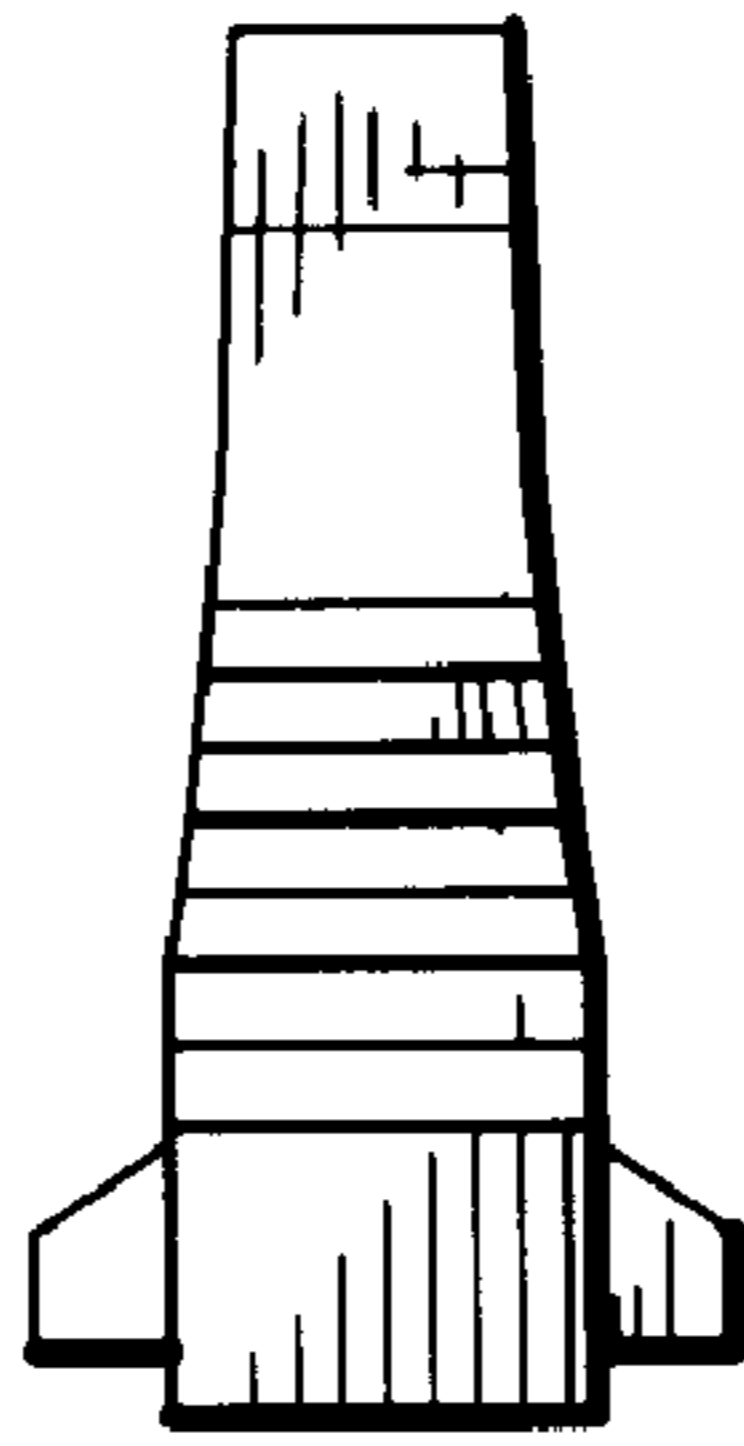


Fig. 7

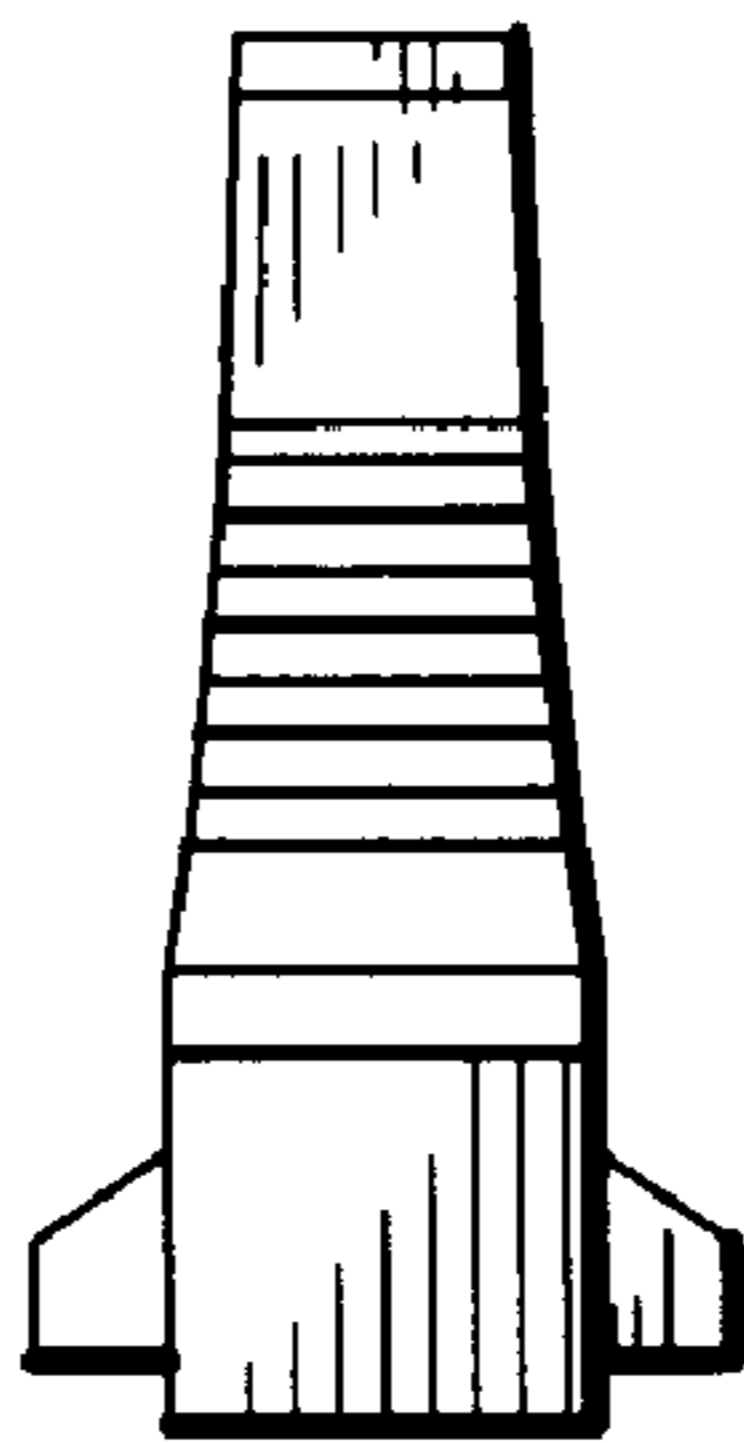


Fig. 8