



US00D428329S

# United States Patent [19]

Jarnagin et al.

[11] Patent Number: Des. 428,329

[45] Date of Patent: \*\* Jul. 18, 2000

[54] BASEBOARD CONNECTOR

[75] Inventors: **Jerry D. Jarnagin**, Mapleton; **Dennis W. Dawson**, Canton, both of Ill.

[73] Assignee: **Basement De-Watering Systems, Inc.**, Canton, Ill.

[\*\*] Term: **14 Years**

[21] Appl. No.: **29/116,270**

[22] Filed: **Dec. 30, 1999**

### Related U.S. Application Data

[62] Division of application No. 29/101,566, Mar. 8, 1999.

[51] LOC (7) Cl. .... **08-05**

[52] U.S. Cl. .... **D8/382**

[58] Field of Search ..... D8/382; 403/203, 403/403, 405.1, 292; 439/66, 75

### [56] References Cited

#### U.S. PATENT DOCUMENTS

- D. 192,613 4/1962 Lewer ..... D8/382
- D. 398,222 9/1998 Julien .
- 3,344,569 10/1967 Cotten .
- 4,198,794 4/1980 Younts, Jr. .

- 4,391,071 7/1983 Schantz .
- 4,798,034 1/1989 Jarnagin et al. .
- 4,957,394 9/1990 Jarnagin et al. .

### OTHER PUBLICATIONS

Fourteen (14) photographs (individually numbered) of Beaver Industries' Commercial Embodiment publicly available at least as early as Mar. 7, 1998.

*Primary Examiner*—Holly Baynham  
*Attorney, Agent, or Firm*—Alston & Bird LLP

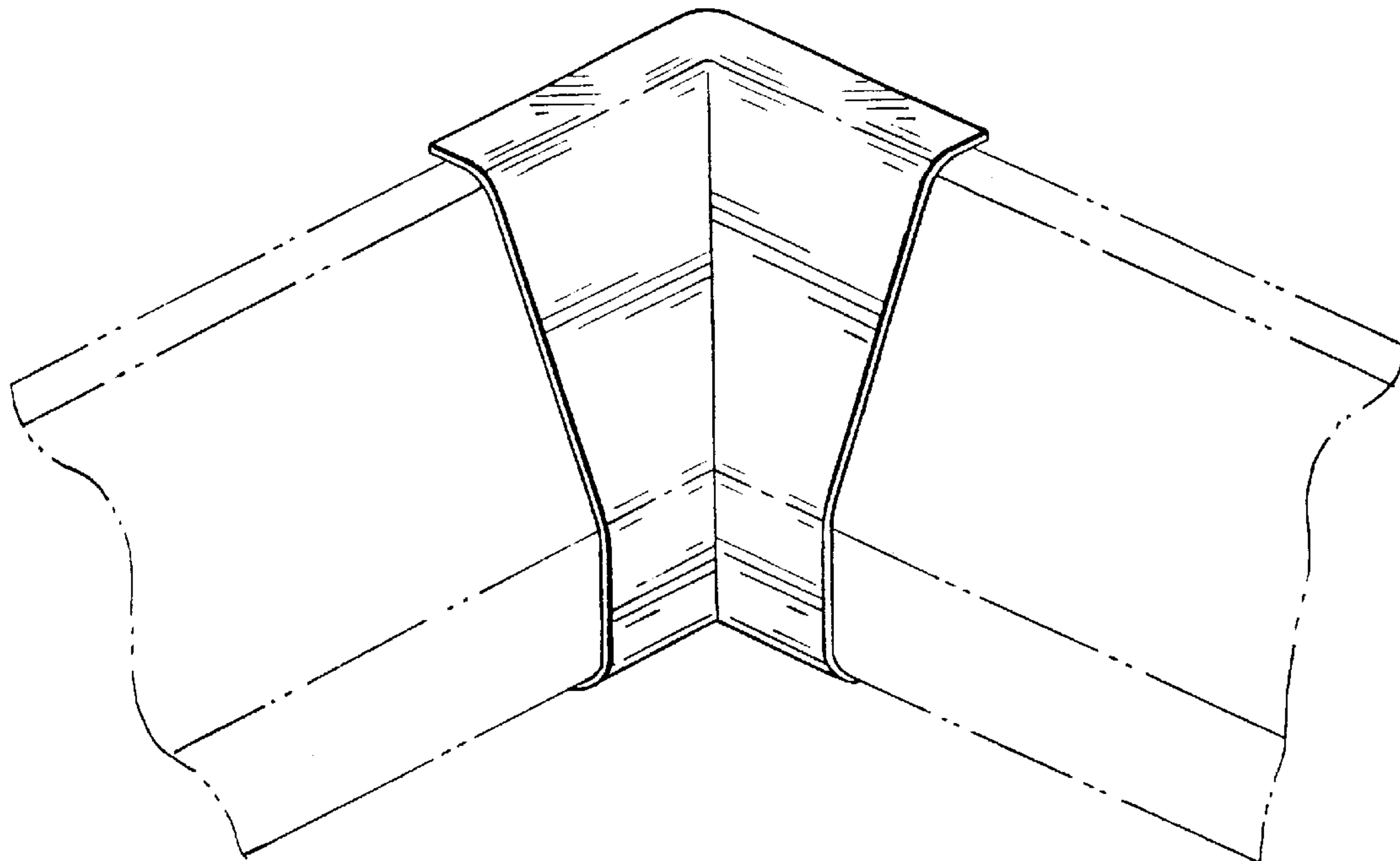
### [57] CLAIM

The ornamental design for a baseboard connector, as shown and described.

### DESCRIPTION

FIG. 1 is a perspective view of a baseboard connector of our new design;  
FIG. 2 is a left side elevational view thereof;  
FIG. 3 is a right side elevational view thereof;  
FIG. 4 is a right side rear elevational view thereof;  
FIG. 5 is a top plan view thereof;  
FIG. 6 is a bottom plan view thereof; and,  
FIG. 7 is a left side rear elevational view thereof.  
The broken lines shown herein are for illustrative purposes only and form no part of the claimed design.

**1 Claim, 2 Drawing Sheets**



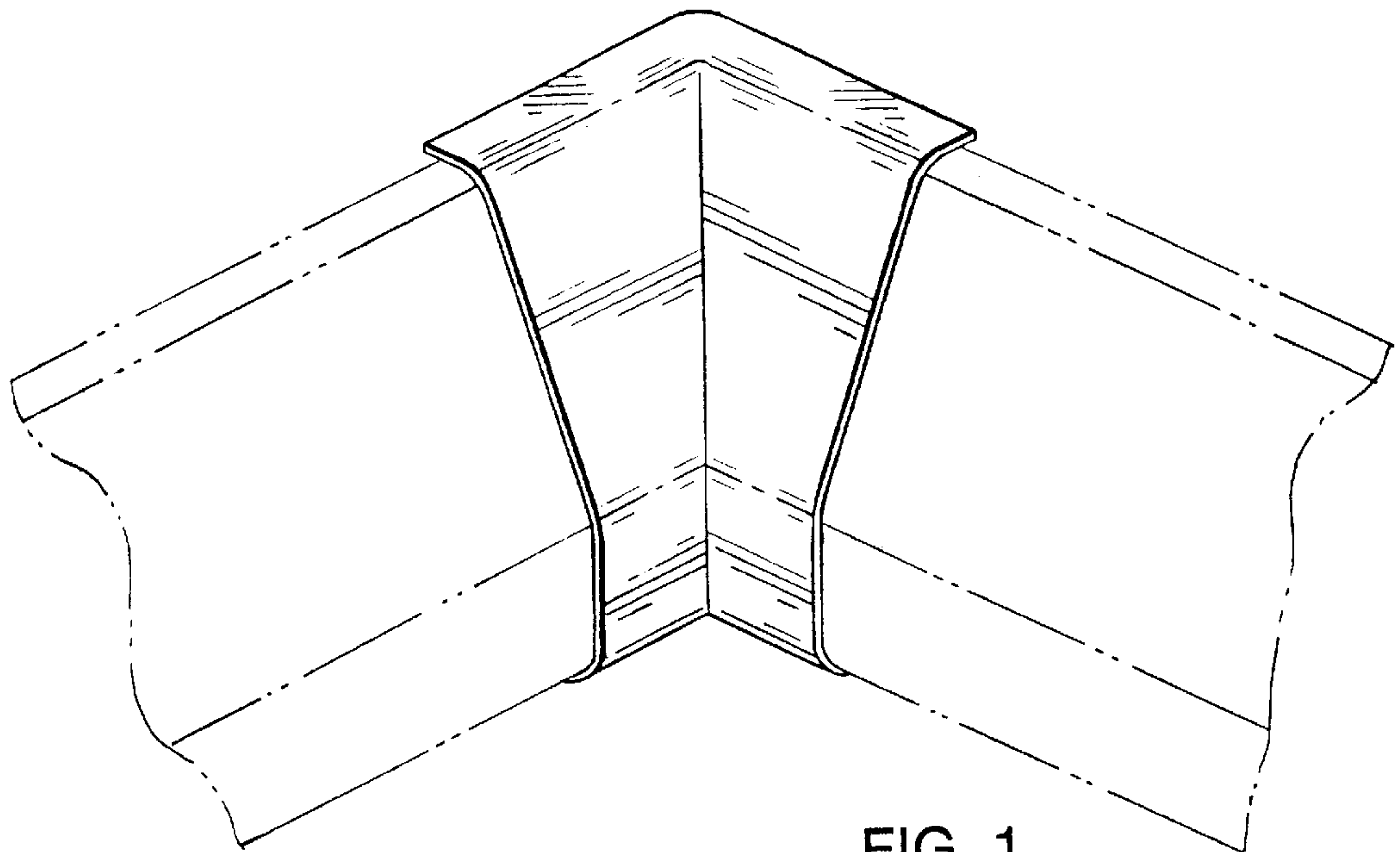


FIG. 1.

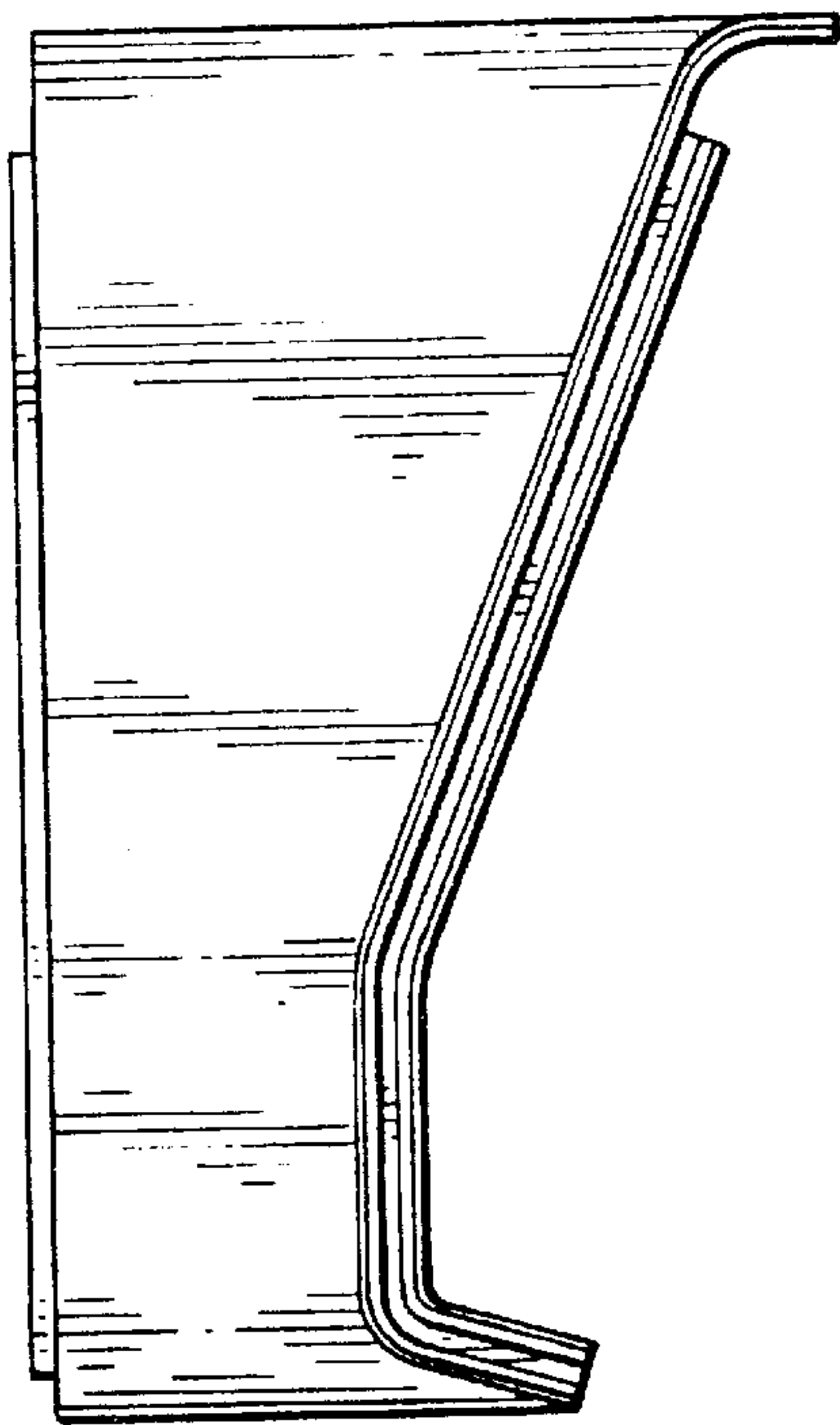


FIG. 2.

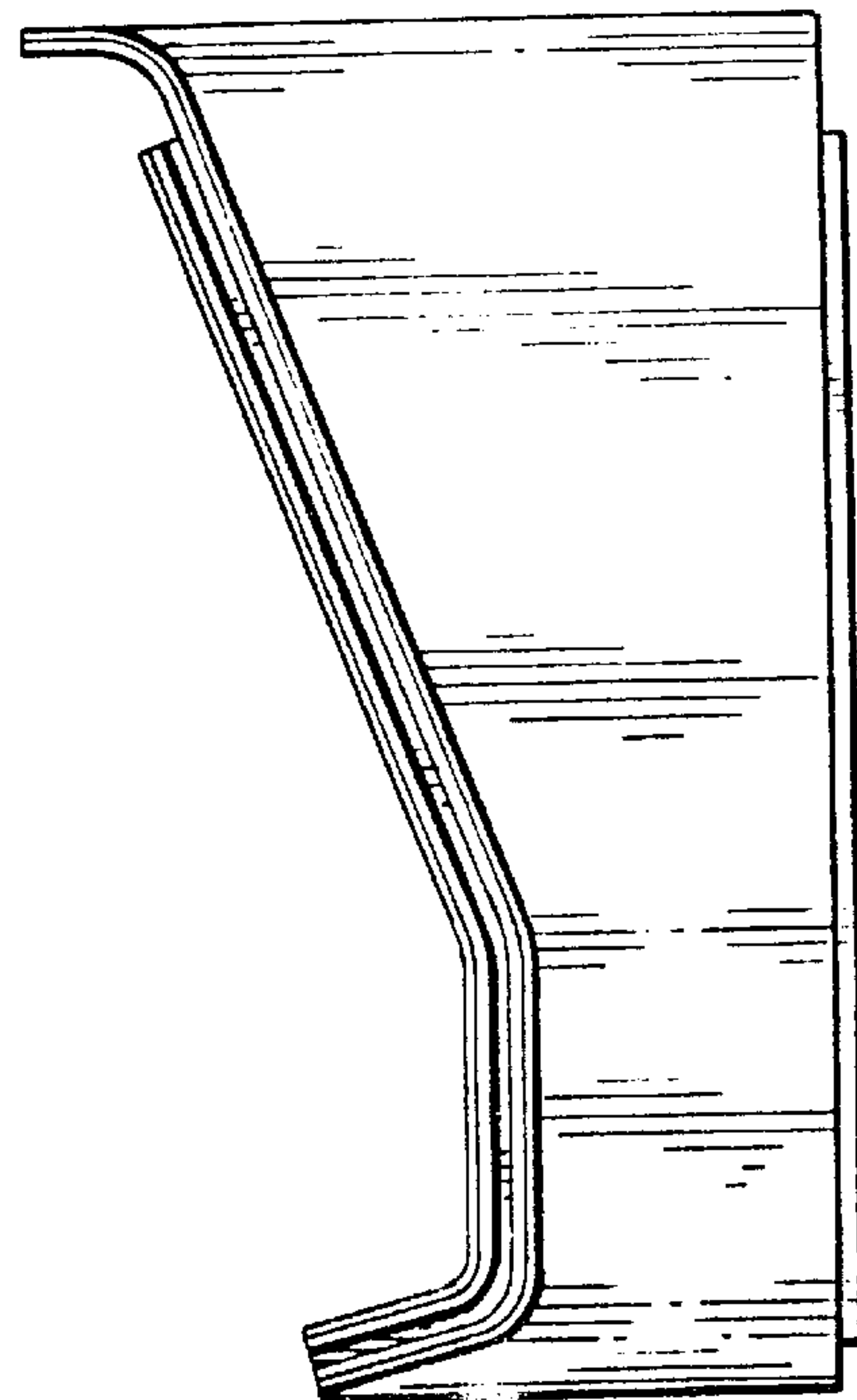


FIG. 3.

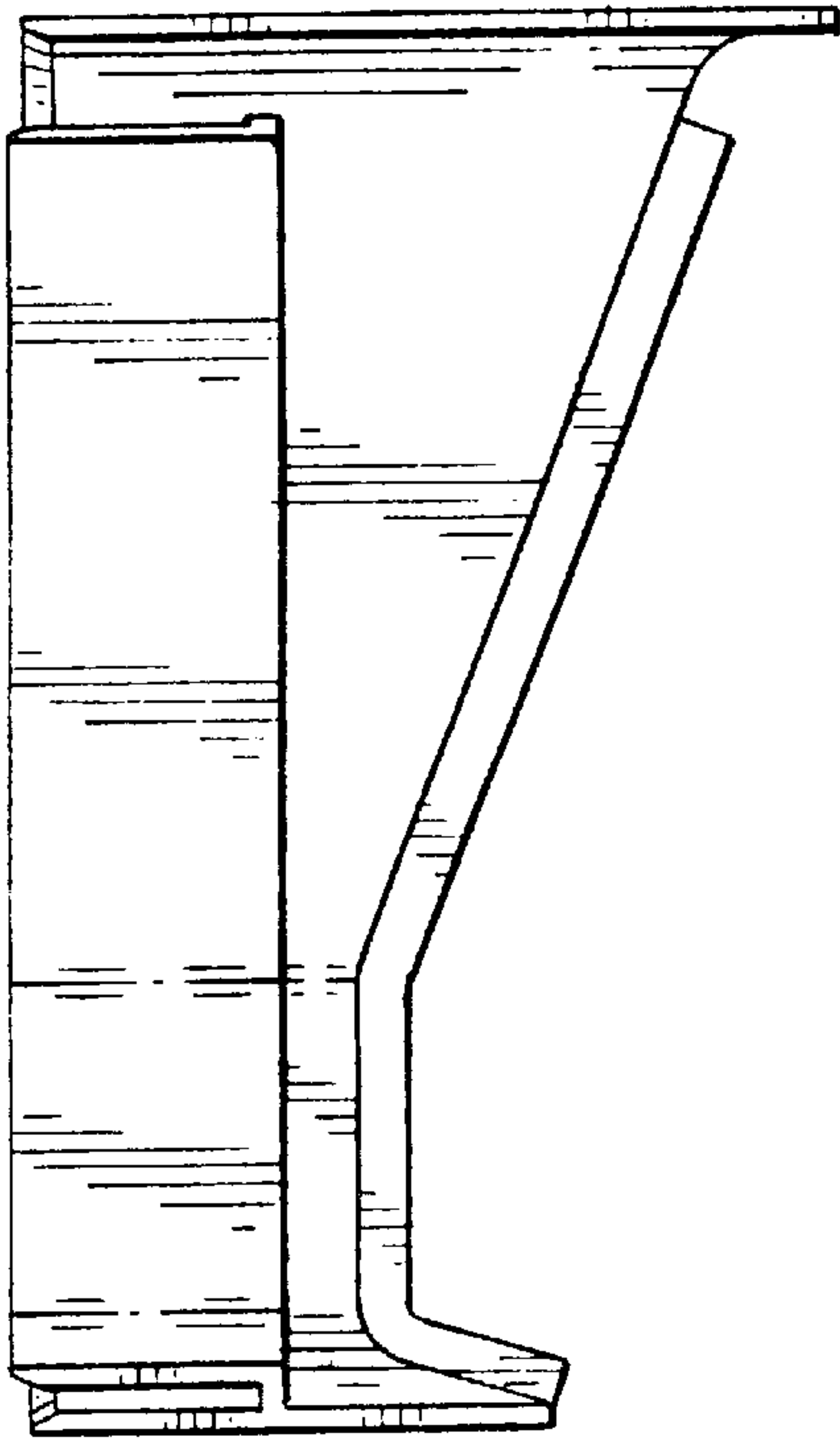


FIG. 4.

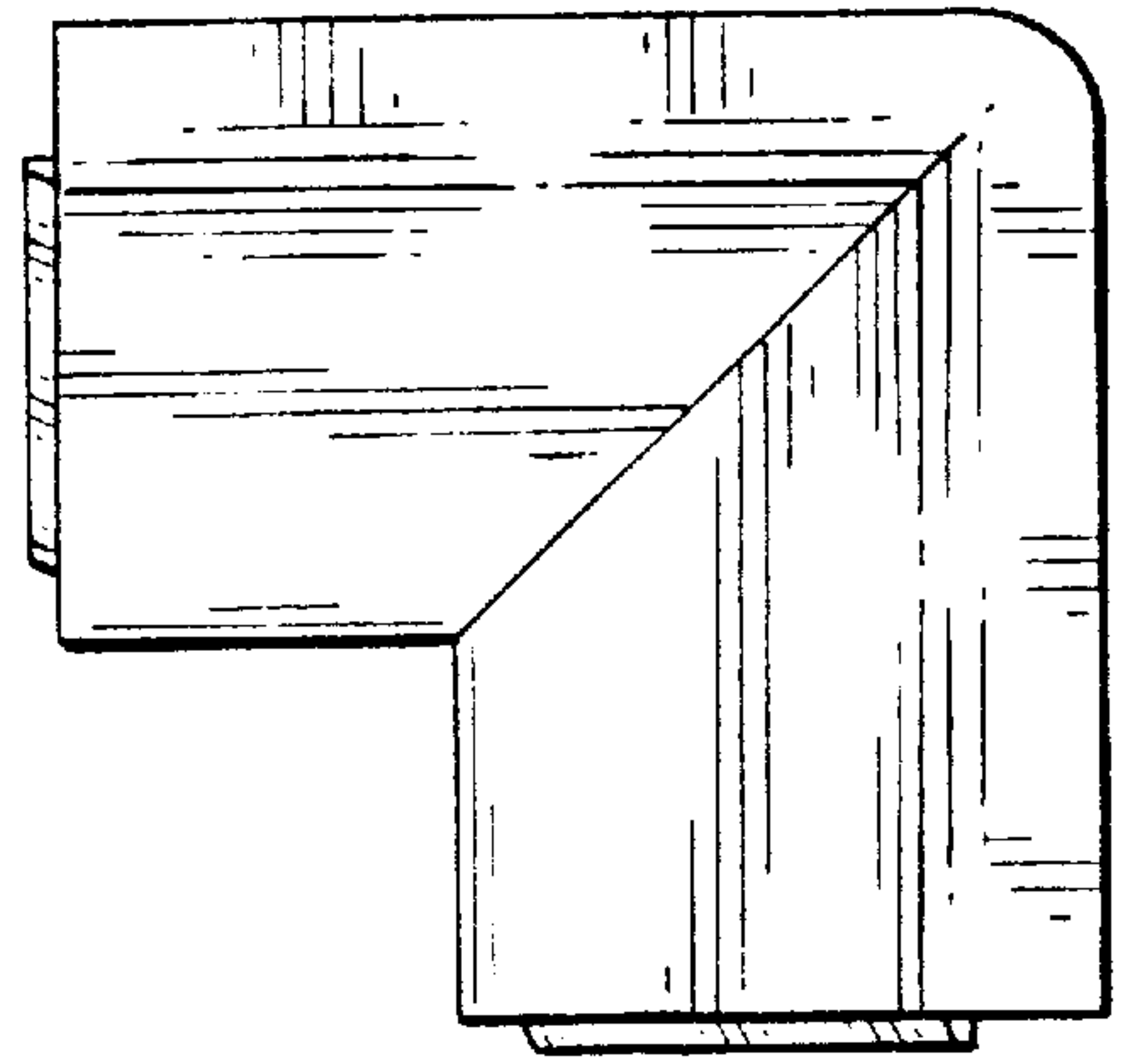


FIG. 5.

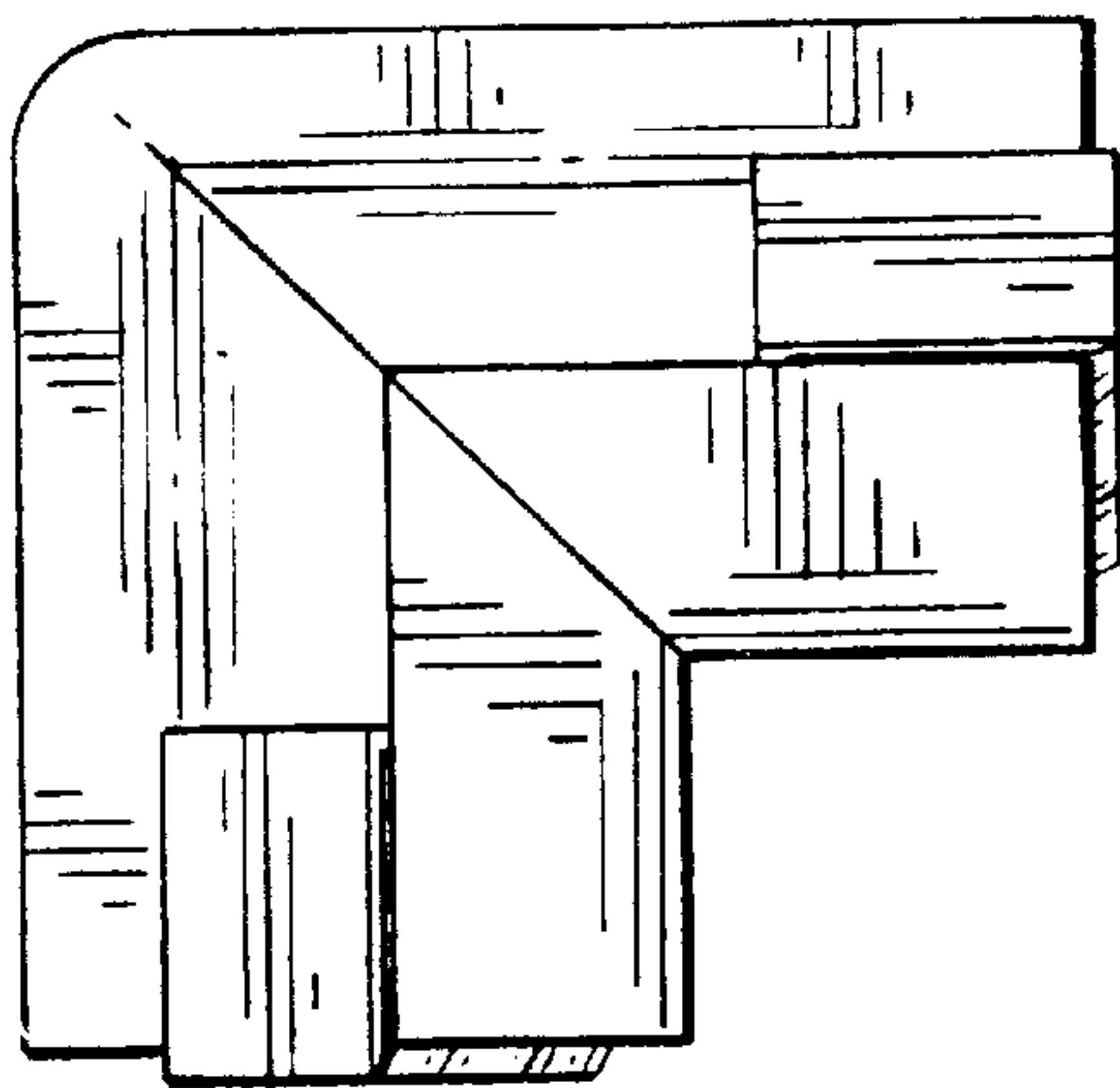


FIG. 6.

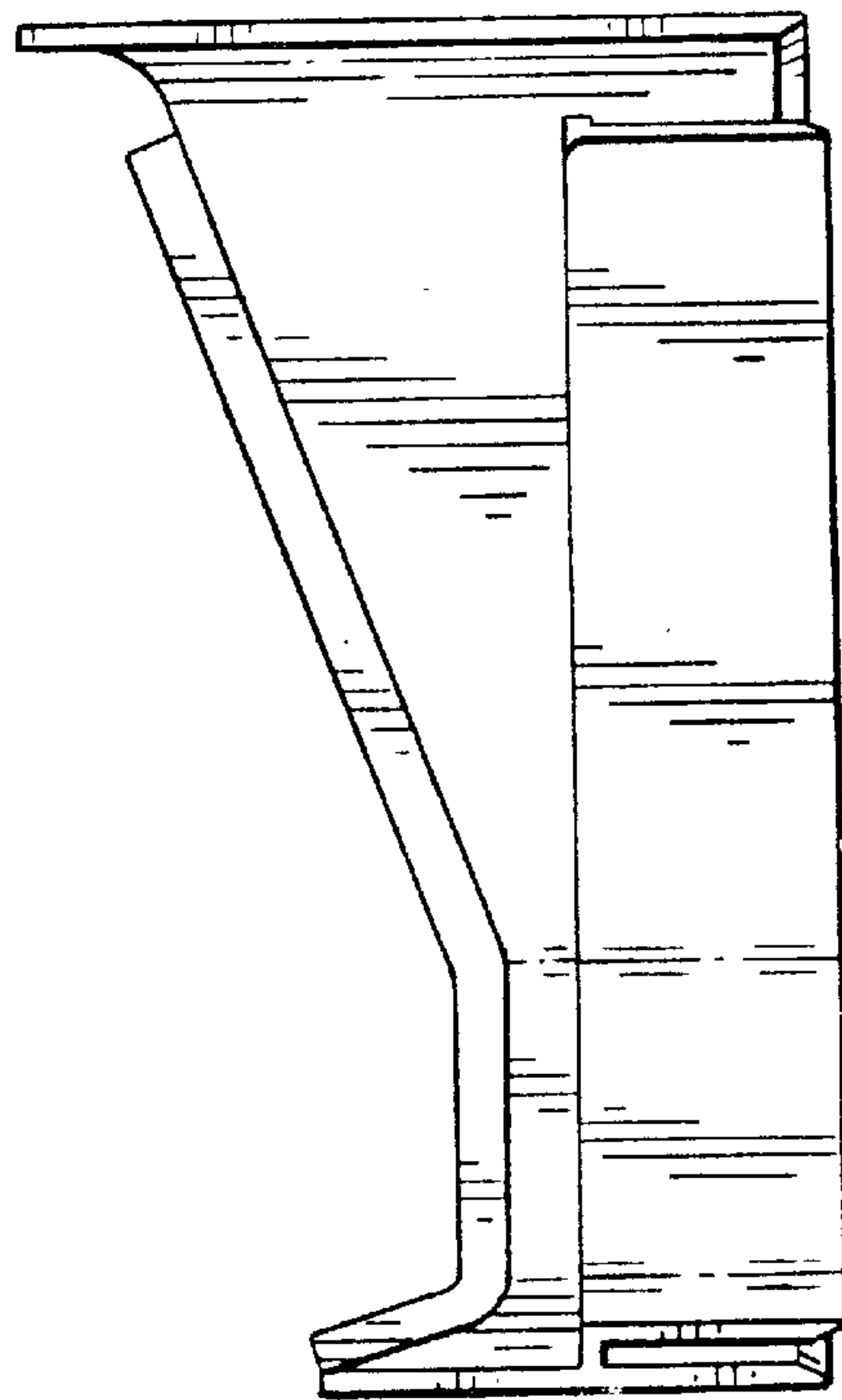


FIG. 7.