



US00D428328S

**United States Patent** [19]  
**Jarnagin et al.**

[11] **Patent Number: Des. 428,328**  
[45] **Date of Patent: \*\* Jul. 18, 2000**

[54] **BASEBOARD CONNECTOR**

[75] Inventors: **Jerry D. Jarnagin**, Mapleton; **Dennis W. Dawson**, Canton, both of Ill.

[73] Assignee: **Basement De-Watering Systems, Inc.**, Canton, Ill.

[\*\*] Term: **14 Years**

[21] Appl. No.: **29/114,314**

[22] Filed: **Nov. 22, 1999**

**Related U.S. Application Data**

[62] Division of application No. 29/101,566, Mar. 8, 1999.

[51] **LOC (7) Cl.** ..... **08-05**

[52] **U.S. Cl.** ..... **D8/382**

[58] **Field of Search** ..... D8/382; 403/203, 403/403, 405.1, 292; 439/66, 75

[56] **References Cited**

**U.S. PATENT DOCUMENTS**

- D. 192,613 4/1962 Lewer ..... D8/382
- D. 398,222 9/1998 Julien .
- 3,344,569 10/1967 Cotten .
- 4,198,794 4/1980 Younts, Jr. .

- 4,391,071 7/1983 Schantz .
- 4,798,034 1/1989 Jarnagin et al. .
- 4,957,394 9/1990 Jarnagin et al. .

**OTHER PUBLICATIONS**

Fourteen (14) photographs (individually numbered) of Beaver Industries' Commercial Embodiment publicly available at least as early as Mar. 7, 1998.

*Primary Examiner*—Holly Baynham  
*Attorney, Agent, or Firm*—Alston & Bird LLP

[57] **CLAIM**

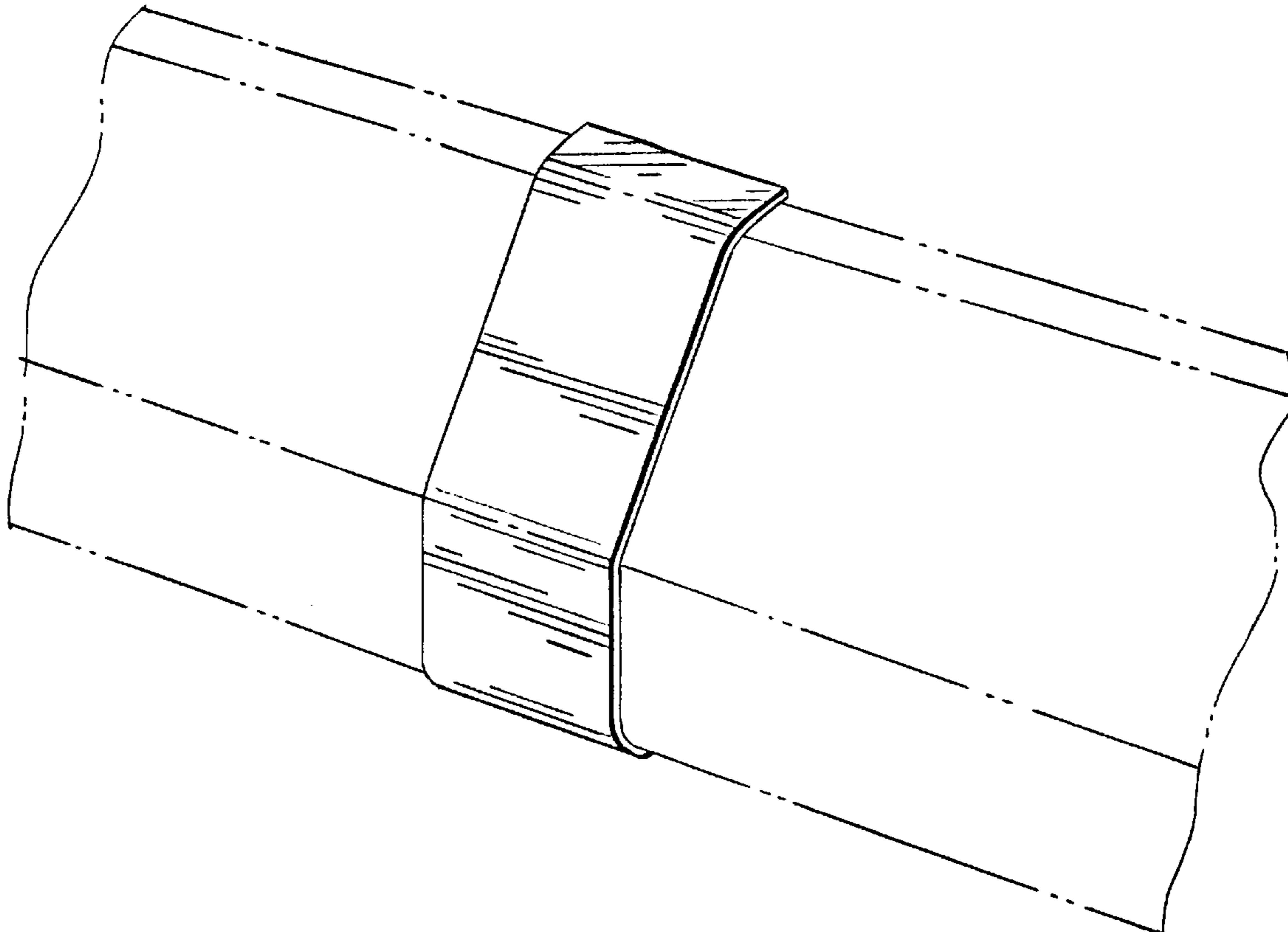
The ornamental design for a baseboard connector, as shown and described.

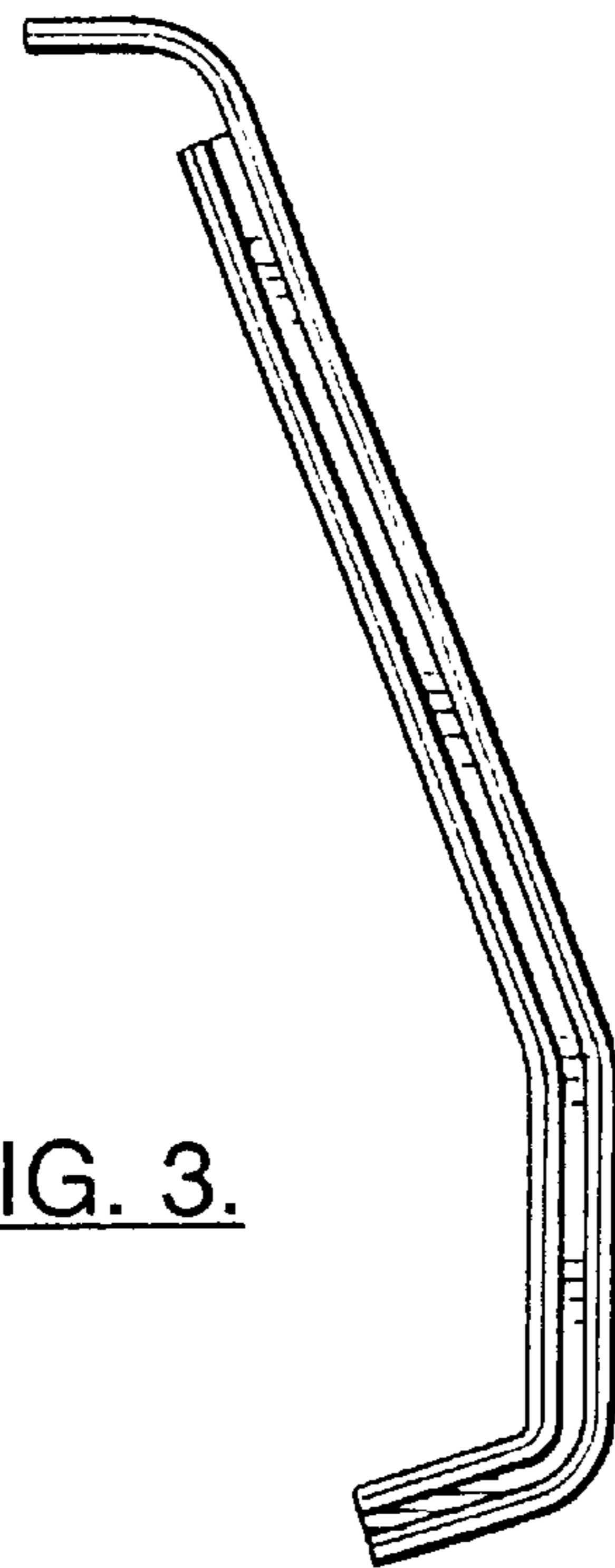
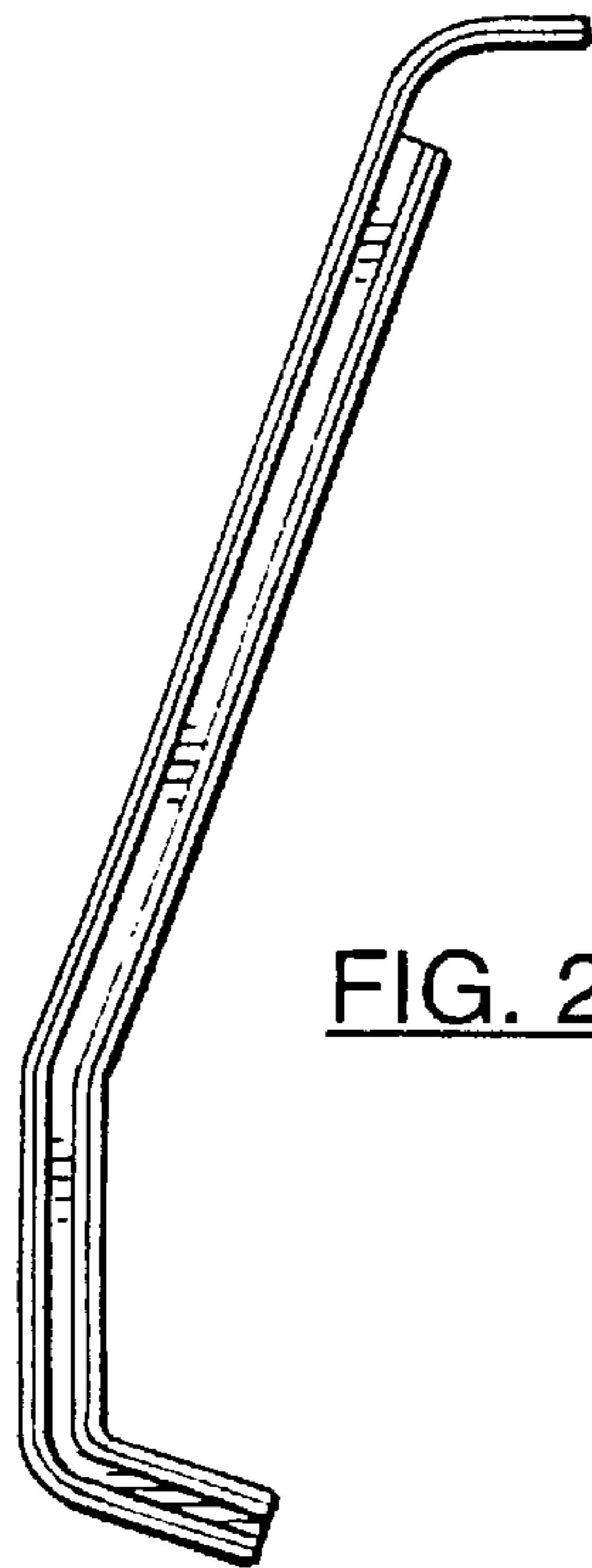
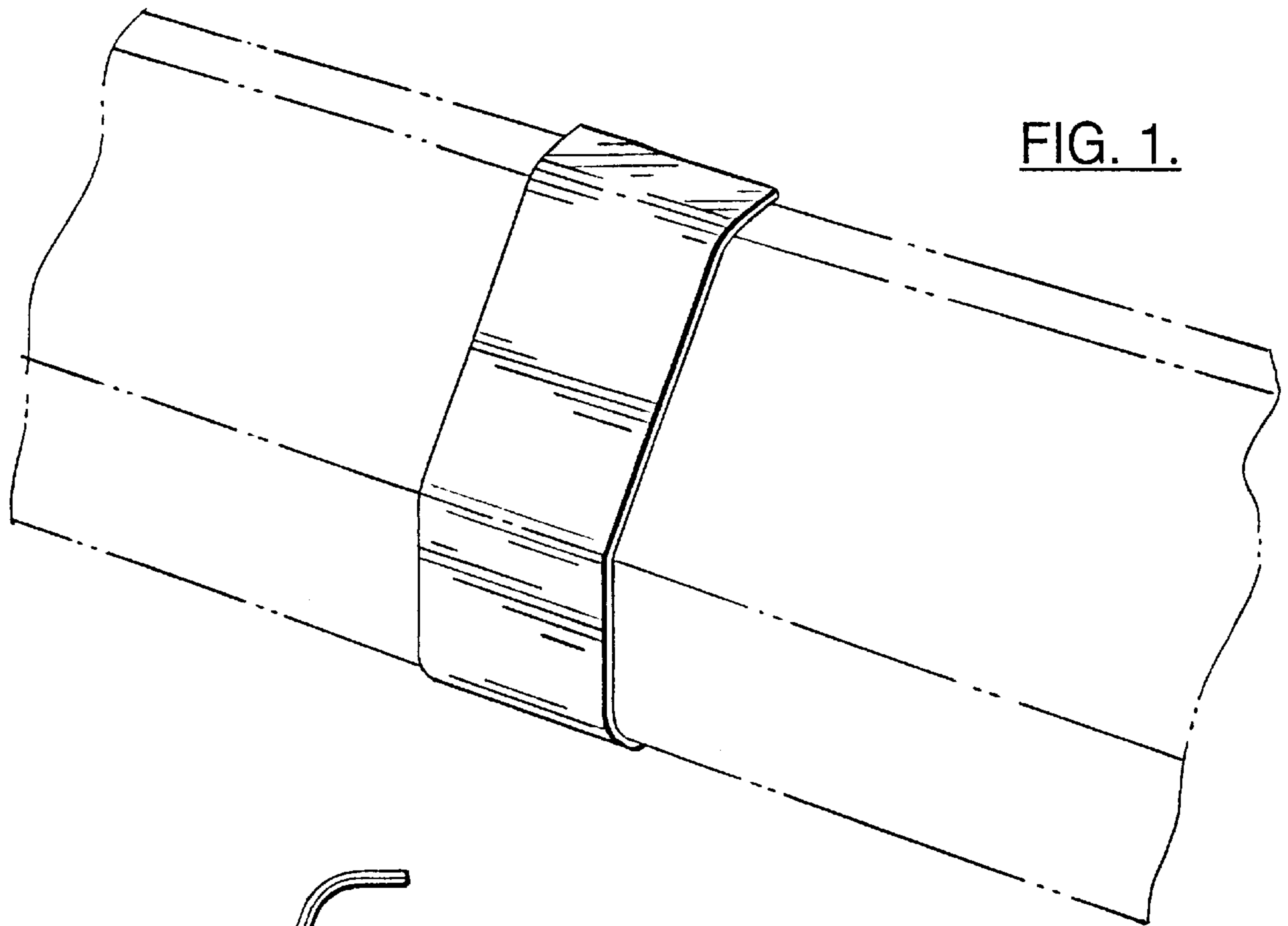
**DESCRIPTION**

FIG. 1 is a perspective view of a baseboard connector of our new design;  
FIG. 2 is a right side elevational view thereof;  
FIG. 3 is a left side elevational view thereof;  
FIG. 4 is a front elevational view thereof;  
FIG. 5 is a top plan view thereof;  
FIG. 6 is a bottom plan view thereof; and,  
FIG. 7 is a rear elevational view thereof.

The broken lines shown herein are for illustrative purposes only and form no part of the claimed design.

**1 Claim, 2 Drawing Sheets**





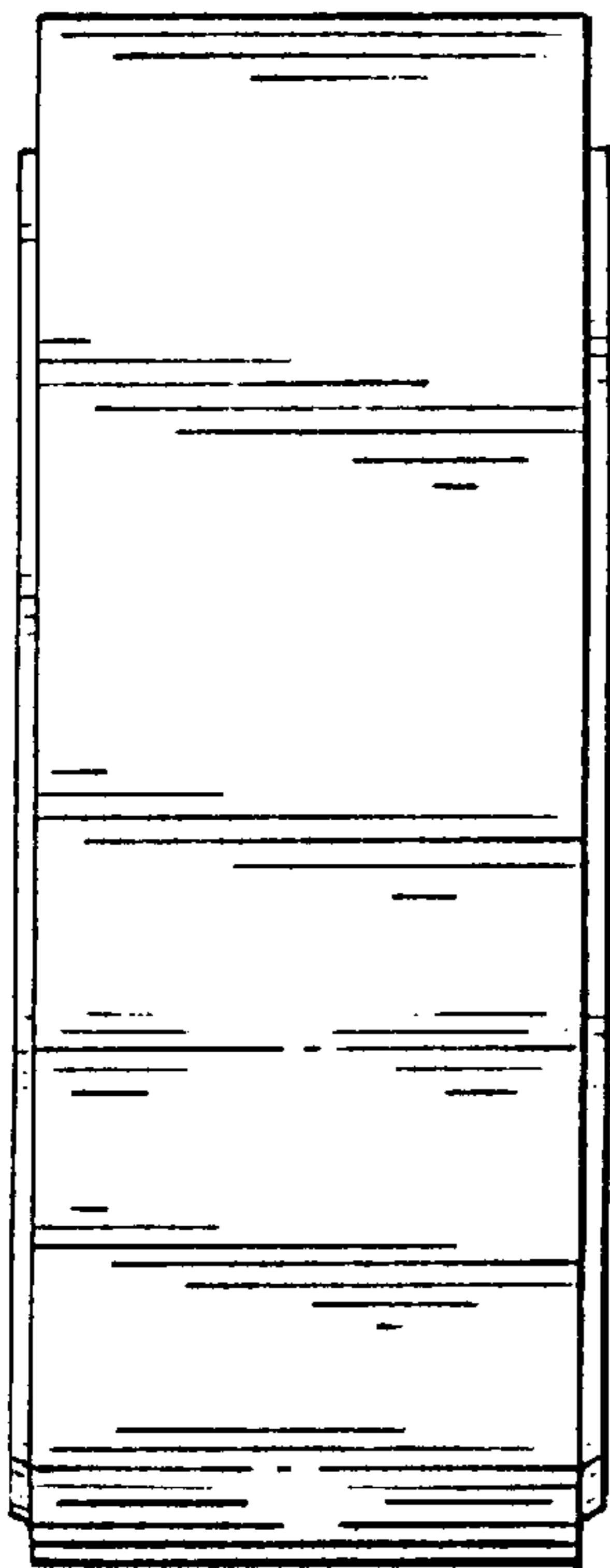


FIG. 4.

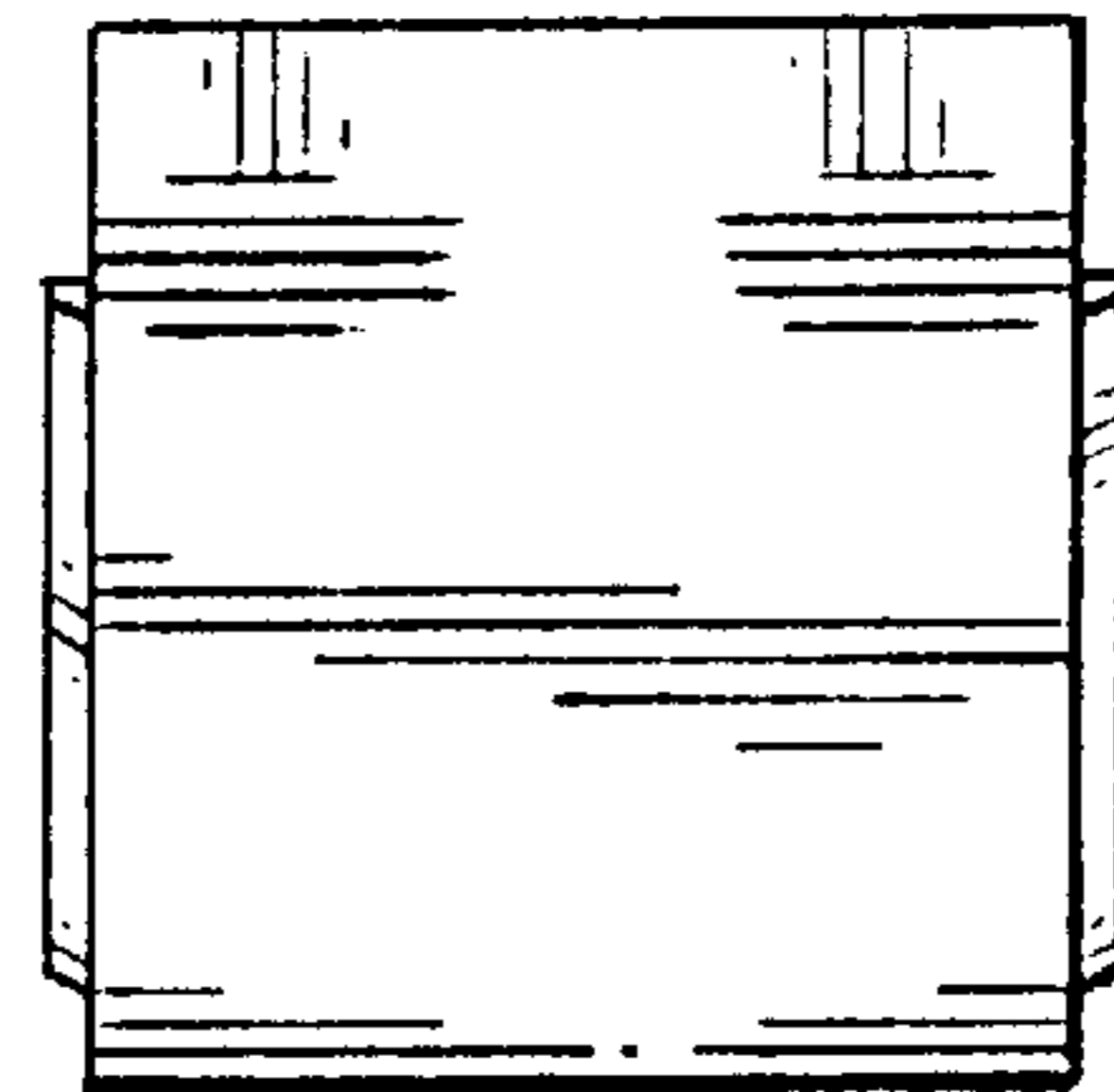


FIG. 5.

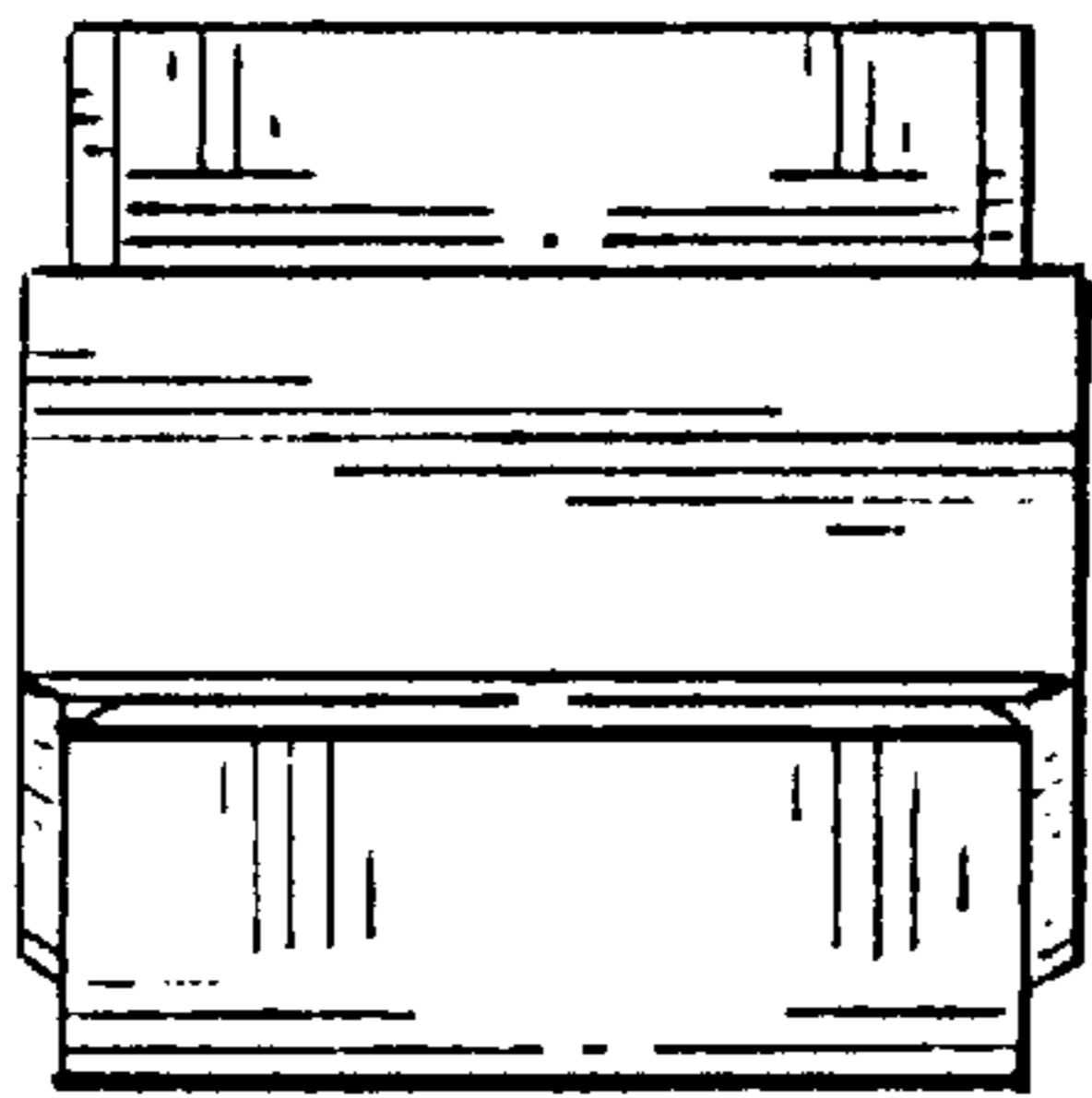


FIG. 6.

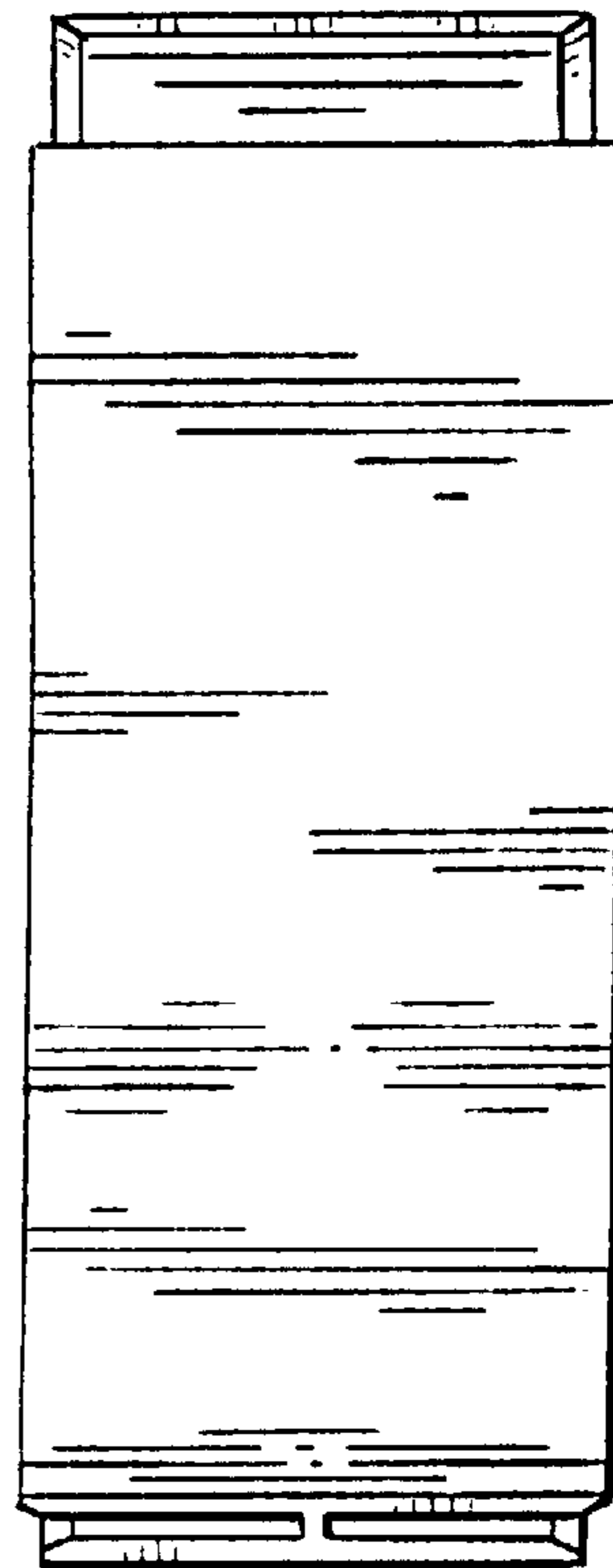


FIG. 7.