



US00D428323S

United States Patent [19]

Weinerman et al.

[11] Patent Number: Des. 428,323

[45] Date of Patent: ** Jul. 18, 2000

[54] **JOINT AND ARM PORTIONS OF SPRING BIASED HINGE**

5,884,363 3/1999 Tofts 16/386

[75] Inventors: **Lee S. Weinerman**, Medina; **Scott A. Arthurs**, Brunswick, both of Ohio

[73] Assignee: **The Eastern Company**, Cleveland, Ohio

[**] Term: **14 Years**

[21] Appl. No.: **29/109,243**

[22] Filed: **Aug. 12, 1999**

Related U.S. Application Data

[63] Continuation-in-part of application No. 29/097,281, Dec. 3, 1998.

[51] **LOC (7) Cl.** **08-06**

[52] **U.S. Cl.** **D8/328**

[58] **Field of Search** D8/323, 327, 328; 16/234, 280, 293, 295, 305, 307, 386, 387

[56] References Cited

U.S. PATENT DOCUMENTS

134,617	1/1873	Thompson .	
803,509	10/1905	Ryan .	
1,627,584	5/1927	Tishken .	
1,785,362	12/1930	Regan .	
3,102,583	9/1963	Rowe et al. .	
3,469,277	9/1969	Henrichs et al.	16/145
4,485,522	12/1984	Chen	16/307
4,495,672	1/1985	Adams	16/229
4,629,243	12/1986	Jensen	296/100
4,788,837	12/1988	MacFarlane	70/3
5,131,246	7/1992	Bonzer	70/260

OTHER PUBLICATIONS

Bronson Co., Honer D., "Hinges by the Homer D. Bronson Company," 1971, p. 25, Right Column Entitled "Spring Hinges".

Guden Co., H.A., "Hardware for Industry," 1979, p. 9, Bottom Third of Page Entitled "Spring Hinges".

Hong Kong Enterprise, p. 771, Showing 2 Hinges with Straggered Leaves, Right Column at Top, Jun. 1994 Kin Kei Company.

Primary Examiner—B. J. Bullock
Attorney, Agent, or Firm—David A. Burge

[57] CLAIM

We claim the ornamental design for a joint and arm portions of spring biased hinge, as shown and described.

DESCRIPTION

FIG. 1 is a perspective view of joint and arm portions of a spring biased hinge showing our new design, with the two pivotally connected arms of the hinge extending substantially parallel, with the view showing principally top, front and right regions thereof, and with typical arm portions that comprise no part of the design being depicted by broken lines;

FIG. 2 is a perspective view thereof showing principally bottom, front and left regions thereof, with the two pivotally connected arms of the hinge extending non-parallel;

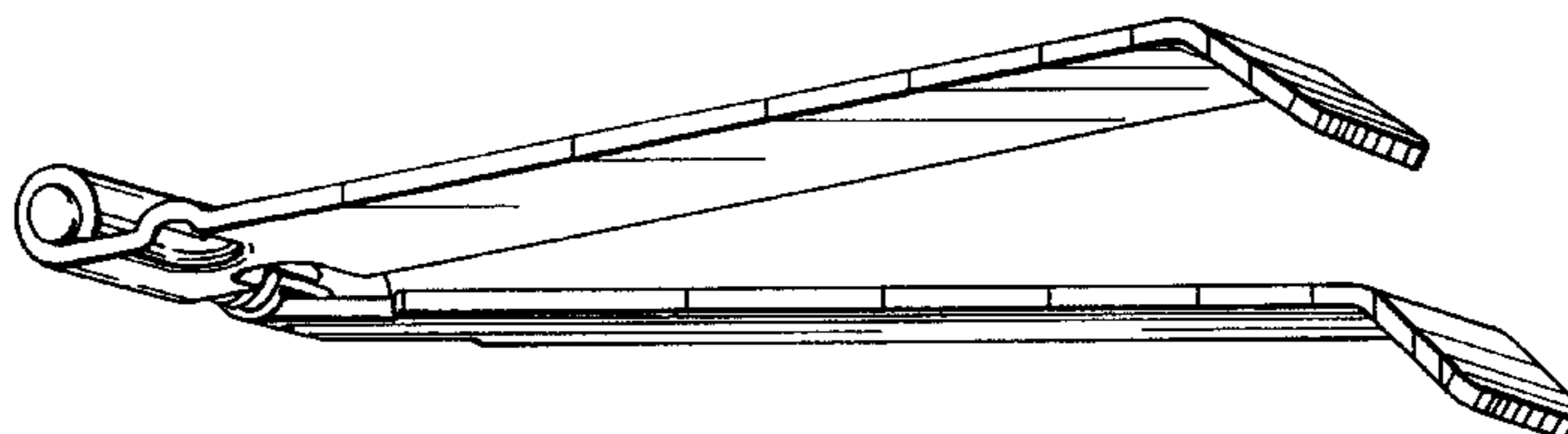
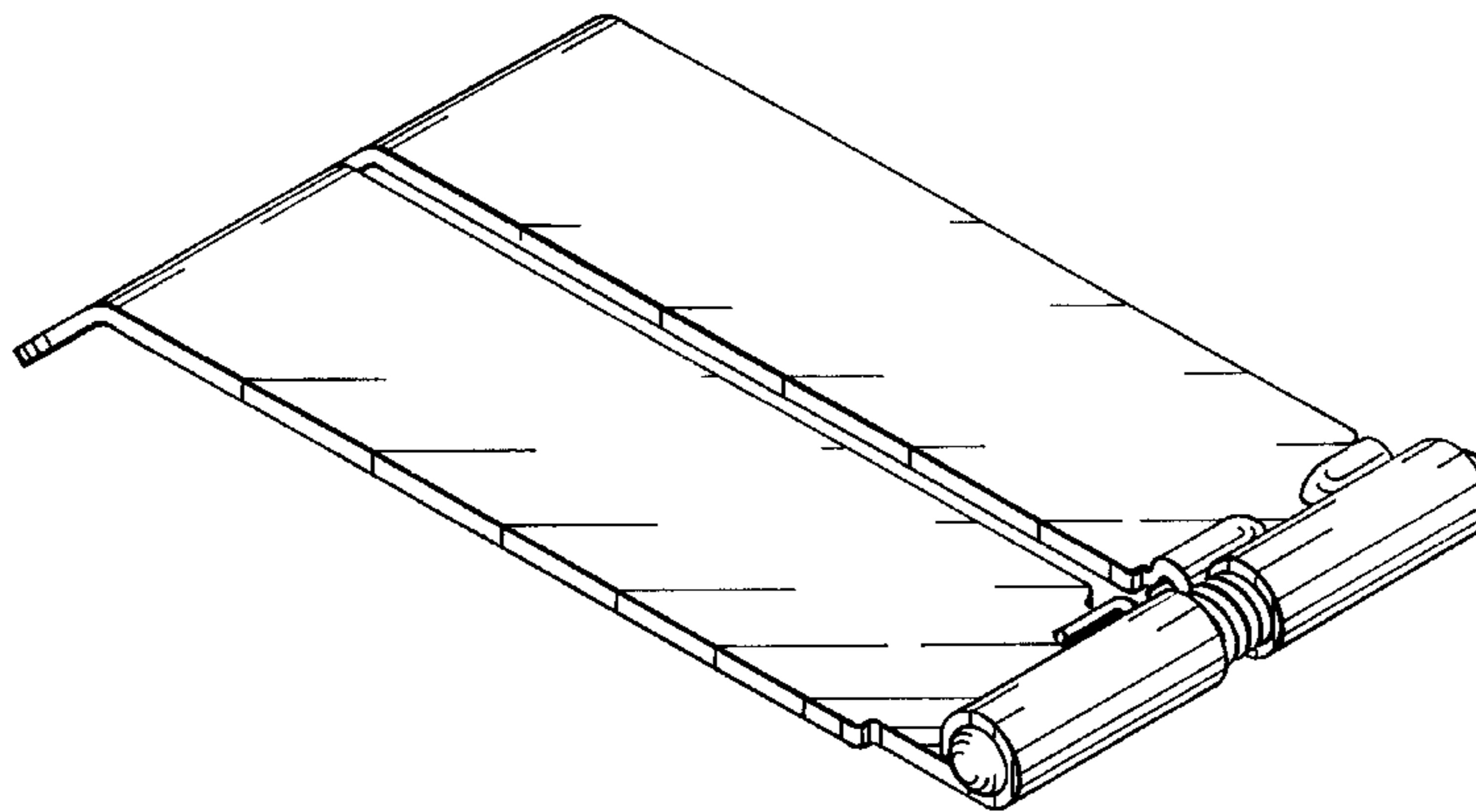
FIG. 3 is a right end elevational view thereof with the arms of the hinge oriented as in FIG. 1;

FIG. 4 is a front side elevational view thereof;

FIG. 5 is a rear side elevational view thereof; and,

FIG. 6 is a bottom plan view thereof.

1 Claim, 2 Drawing Sheets



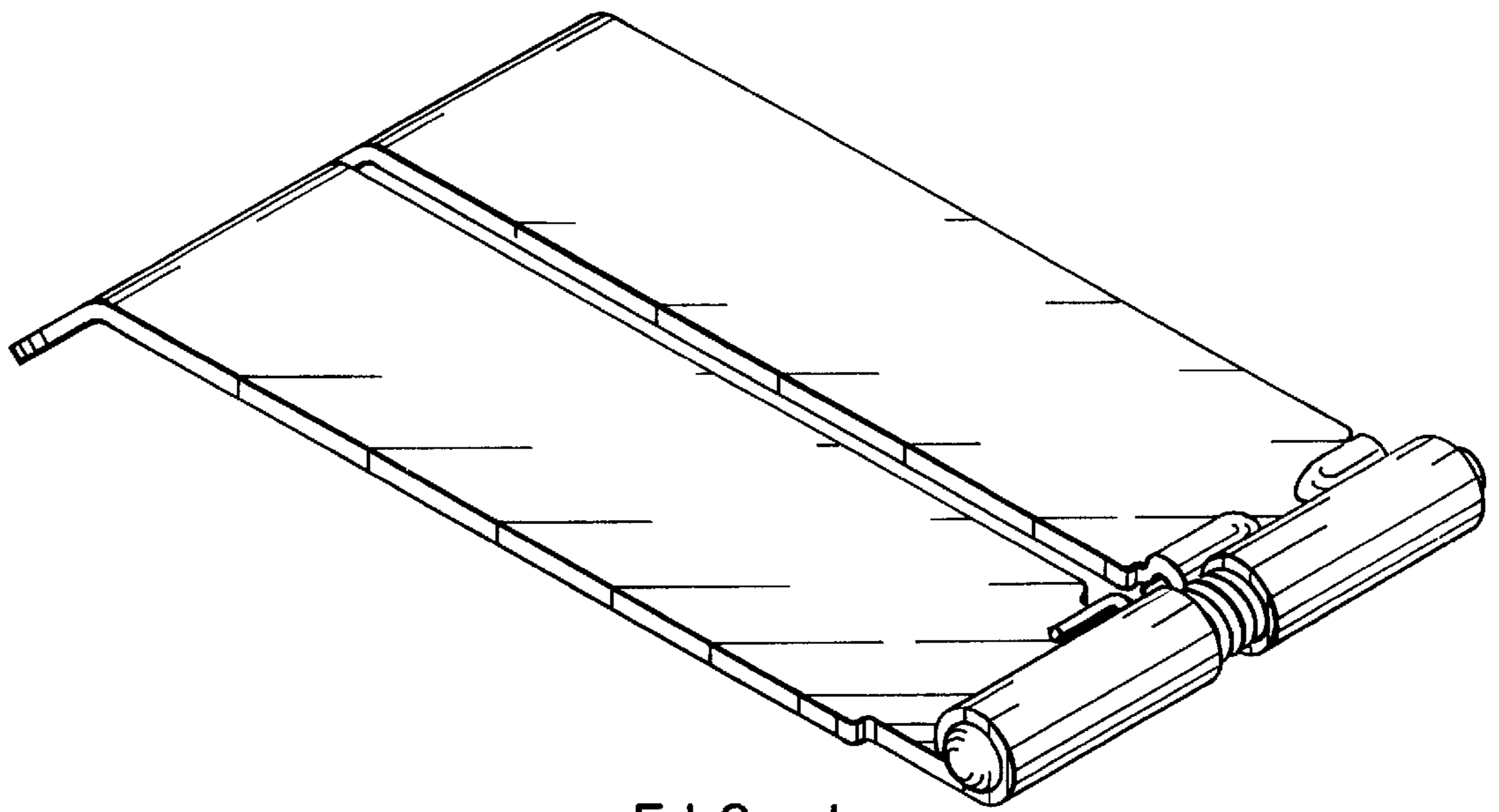


FIG. 1

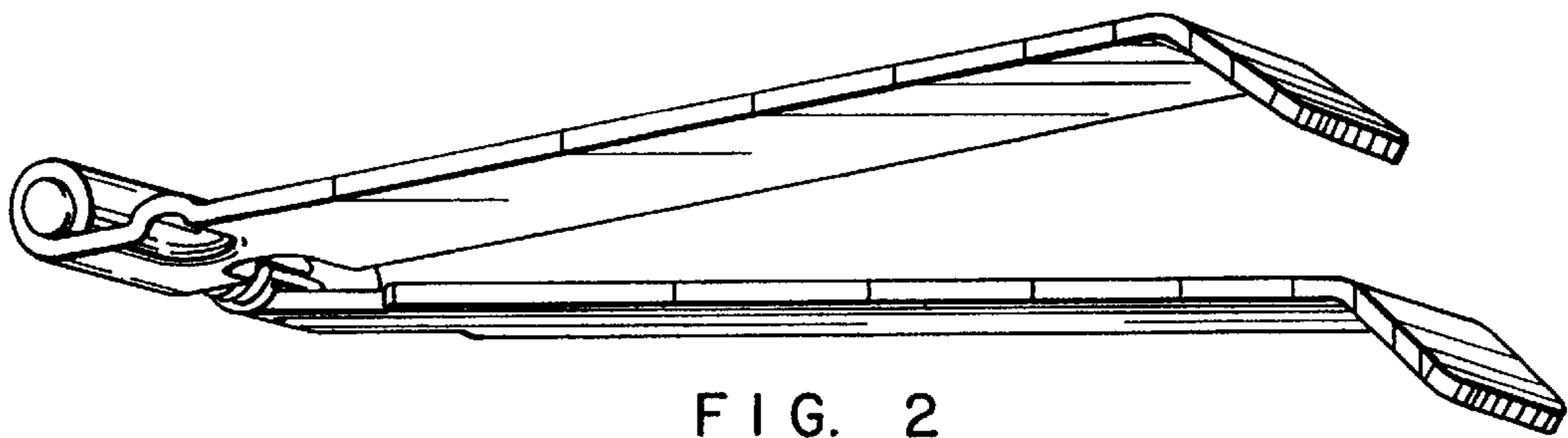


FIG. 2

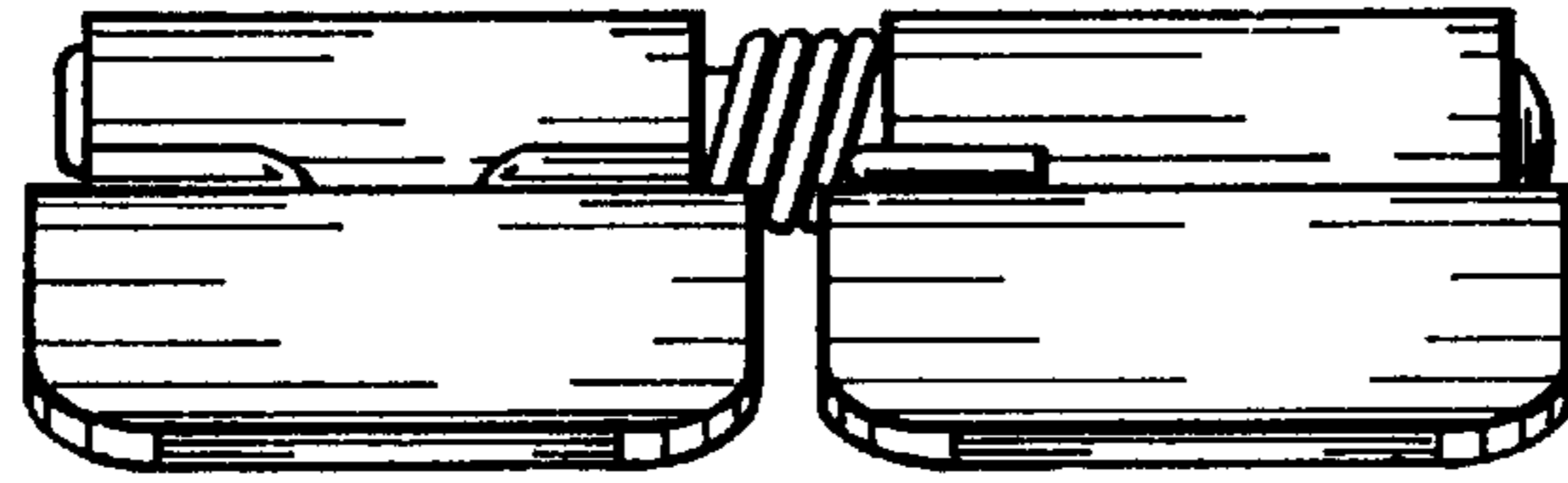


FIG. 3

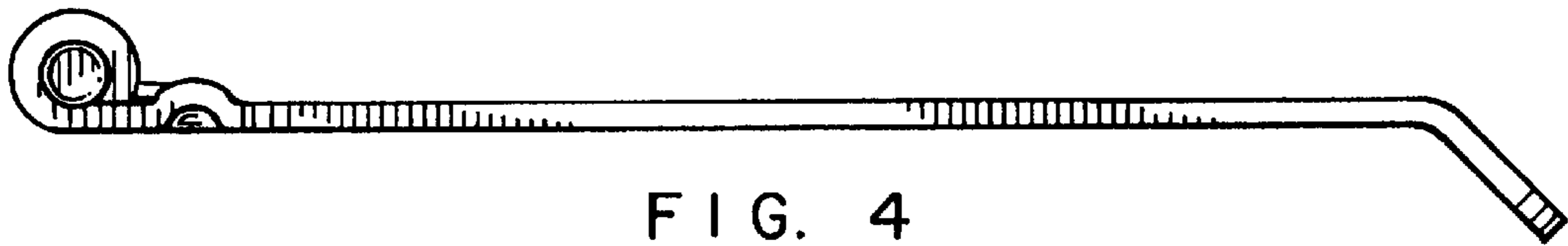


FIG. 4

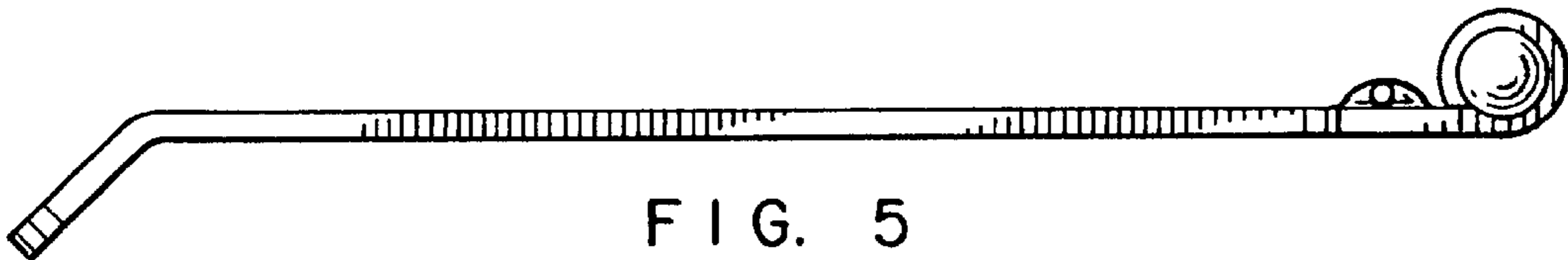


FIG. 5

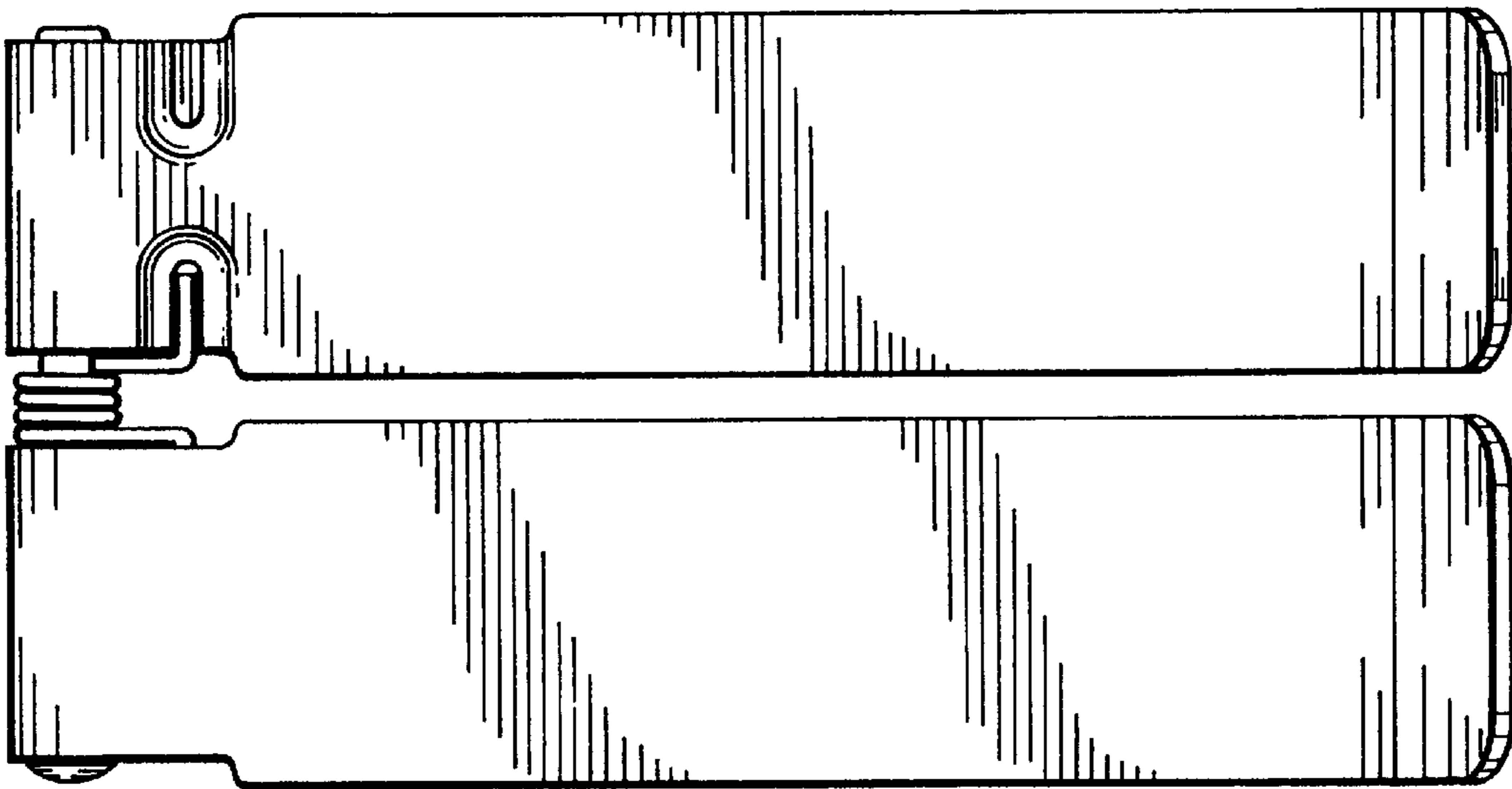


FIG. 6