



US00D428322S

United States Patent [19]

Münch et al.

[11] **Patent Number: Des. 428,322**

[45] **Date of Patent: ** Jul. 18, 2000**

[54] **DOOR HANDLE**

[75] Inventors: **Udo Münch**, Sinn; **Wolfgang Reuter**, Burbach; **Kai-Uwe Witte**, Offenbach, all of Germany

[73] Assignee: **Rittal-Werk Rudolf Loh GmbH & Co. KG**, Herborn, Germany

[**] Term: **14 Years**

[21] Appl. No.: **29/090,914**

[22] Filed: **Jul. 20, 1998**

[30] **Foreign Application Priority Data**

Jan. 19, 1998 [DE] Germany M 98 00 539

[51] **LOC (7) Cl.** **08-06**

[52] **U.S. Cl.** **D8/302; D8/306**

[58] **Field of Search** D8/330-346, 306, D8/302; 292/336.3, DIG. 31, DIG. 37

[56] **References Cited**

U.S. PATENT DOCUMENTS

- D. 191,920 12/1961 Hale et al. D8/302
- D. 406,040 2/1999 Kuehn D8/306 X
- 4,813,727 3/1989 Mills 292/336.3 X

Primary Examiner—Alan P. Douglas
Assistant Examiner—Jennifer Rivard
Attorney, Agent, or Firm—Pauley Petersen Kinne & Fejer

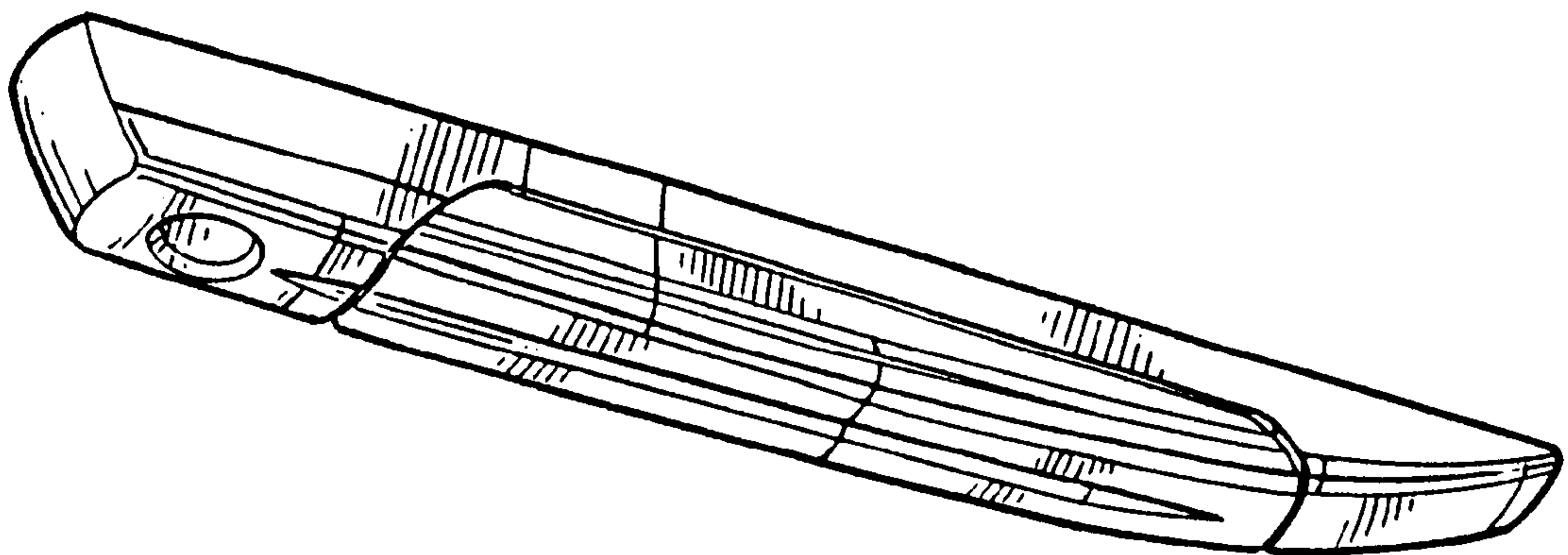
[57] **CLAIM**

The ornamental design for a door handle, as shown and described.

DESCRIPTION

FIG. 1 is a perspective top view of a door handle, according to one preferred embodiment of this invention;
 FIG. 2 is a bottom perspective view of the door handle, as shown in FIG. 1;
 FIG. 3 is a side view of the door handle, as shown in FIGS. 1 and 2;
 FIG. 4 is a top view of the door handle, as shown in FIGS. 1 and 2;
 FIG. 5 is a side view, opposite the side view shown in FIG. 3, of the door handle, as shown in FIGS. 1 and 2;
 FIG. 6 is a bottom view of the door handle, as shown in FIGS. 1 and 2;
 FIG. 7 is a rear view of the door handle, as shown in FIGS. 1 and 2; and,
 FIG. 8 is a front view of the door handle, as shown in FIGS. 1 and 2.

1 Claim, 3 Drawing Sheets



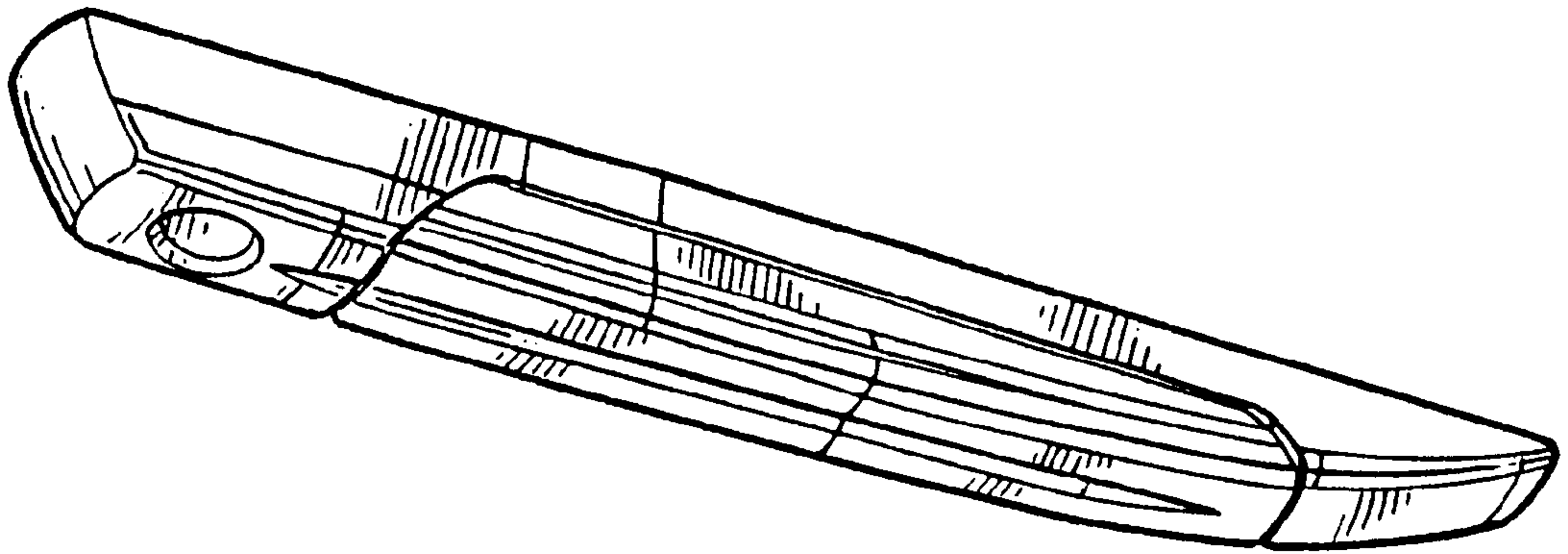


FIG. 1

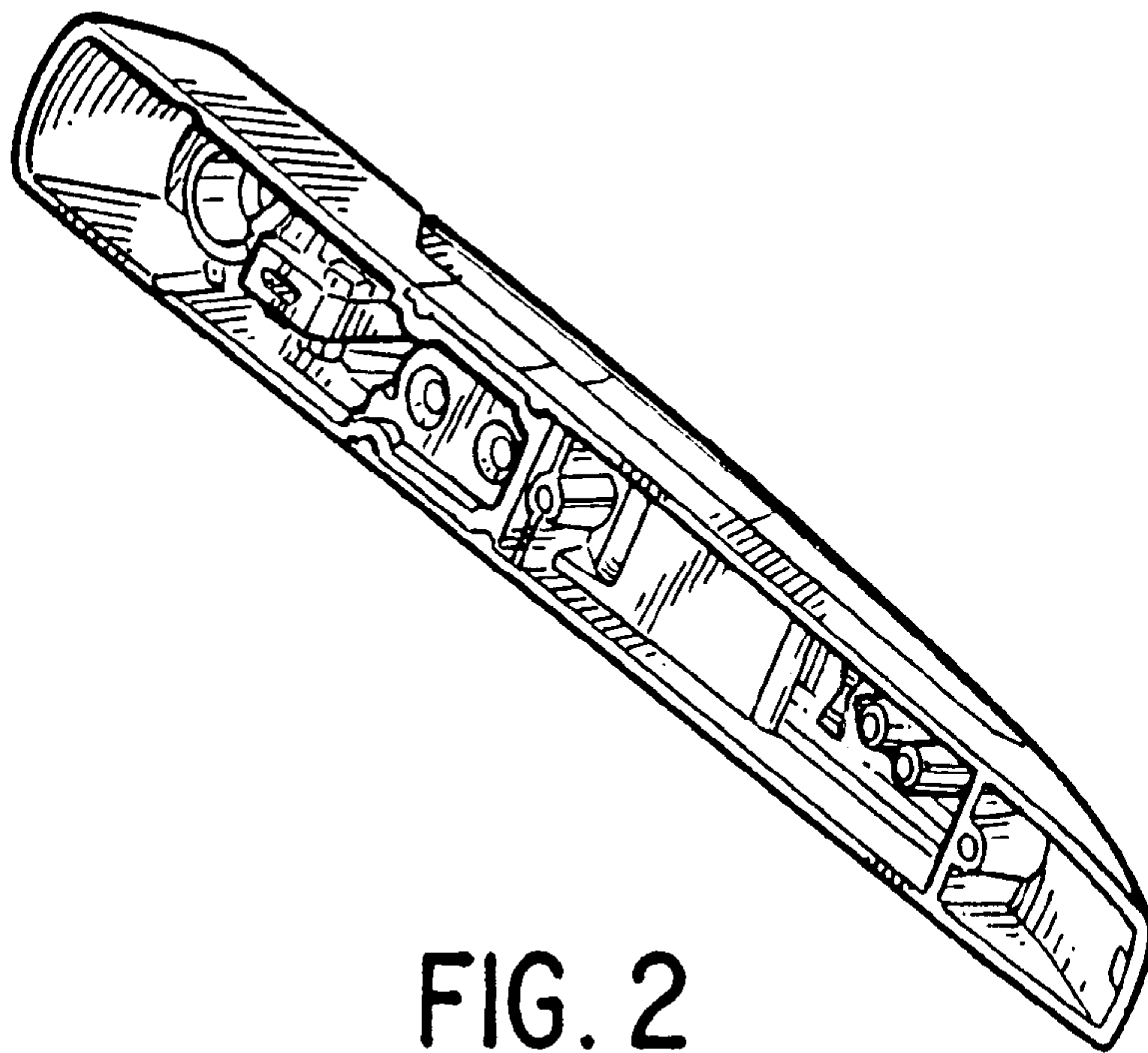


FIG. 2

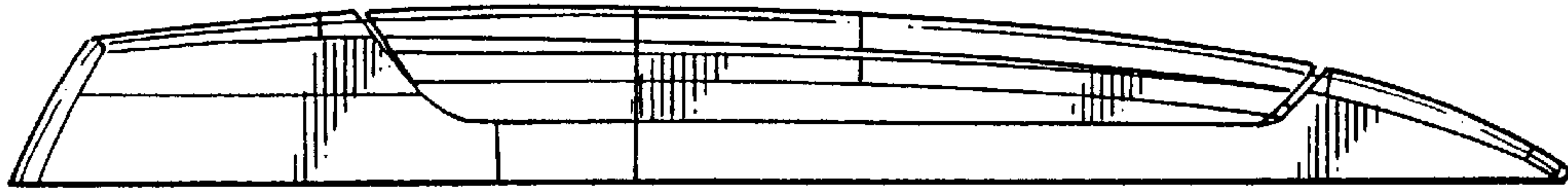


FIG. 3

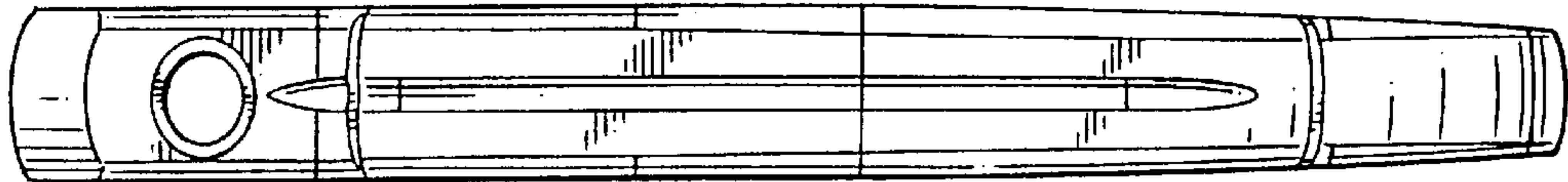


FIG. 4

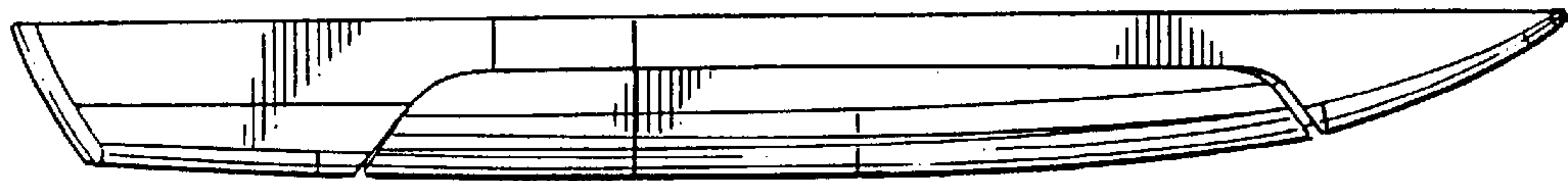


FIG. 5

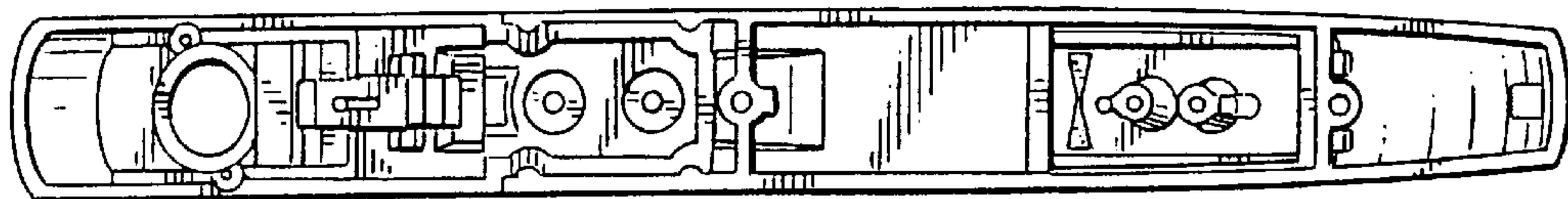


FIG. 6



FIG. 7

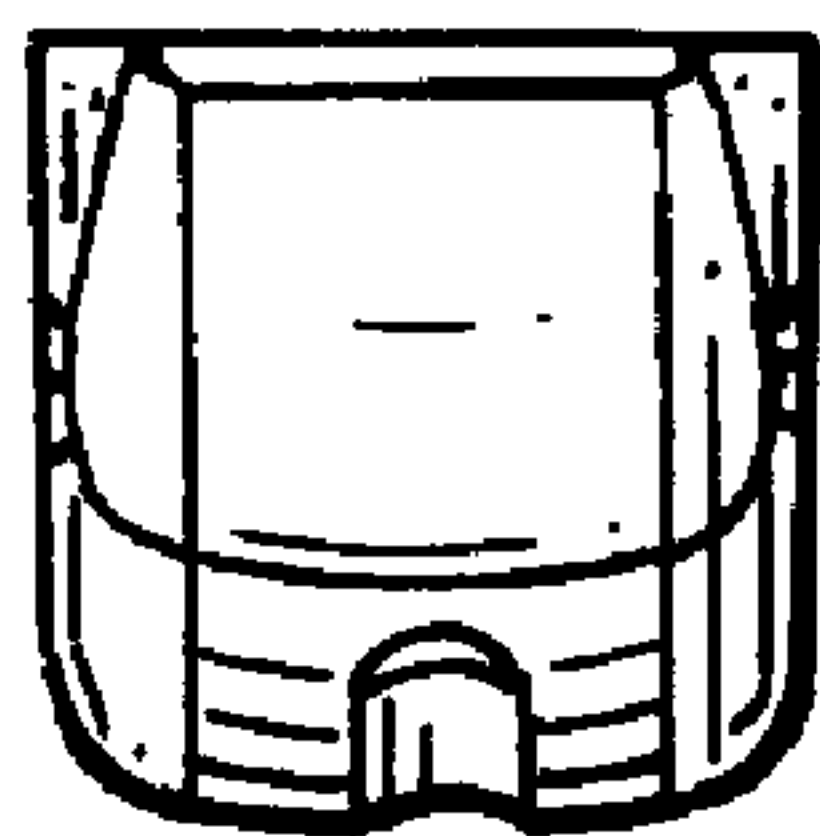


FIG. 8