



US00D428320S

United States Patent [19]
Ohi et al.

[11] **Patent Number: Des. 428,320**
[45] **Date of Patent: ** Jul. 18, 2000**

[54] **DRIVER DRILL**

[75] Inventors: **Taku Ohi**, Chandler; **Kenneth M. Brazell**, Phoenix, both of Ariz.

[73] Assignee: **Ryobi North America, Inc.**, Anderson, S.C.

[**] Term: **14 Years**

[21] Appl. No.: **29/110,841**

[22] Filed: **Sep. 14, 1999**

[51] **LOC (7) Cl.** **08-05**

[52] **U.S. Cl.** **D8/68; D8/61**

[58] **Field of Search** D8/61, 62, 70, D8/82, 83, 86, 107, DIG. 7; 81/54, 55, 57, 57.11, 57.14, 177.1, 474, 177.85, 429, 409, 436, 900, 439, 901; 173/170, 13, 19, 171, 213, 217; 408/124, 125, 241 S; 451/344, 354, 357-359, 458; 310/40 R, 50

[56] **References Cited**

U.S. PATENT DOCUMENTS

- D. 279,957 8/1985 Akazawa et al. .
- D. 295,141 4/1988 Hoshino et al. .
- D. 295,714 5/1988 Sasaki et al. .
- D. 296,413 6/1988 Hoshino et al. .
- D. 296,655 7/1988 Yonezawa et al. .
- D. 299,808 2/1989 Hoshino et al. .
- D. 314,498 2/1991 Hoshino et al. .
- D. 320,917 10/1991 Fushiya et al. .
- D. 323,606 2/1992 Chang .
- D. 327,619 7/1992 Tsai .
- D. 328,411 8/1992 Cavado D8/68

(List continued on next page.)

FOREIGN PATENT DOCUMENTS

M94 01 137 2/1994 Germany .

M94 01 141 8/1994 Germany .
M94 06 883 1/1995 Germany .
595750 6/1989 Japan .
826221 7/1994 Japan .

OTHER PUBLICATIONS

Bosch Power Tool Catalog, Cordless Tools, © 1999, pp. 10-11.
Makita Industrial Power Tools 1998-1999 General Catalog, Cordless Tools, 1999, pp. 8-10.
Porter Cable Corporation 1999-2000 Catalog, 1999, pp. 47, 49-51.
Panasonic Cordless Professional Power Tools, 1999, pp. 9-10, Japan.
DeWalt 1998 High Performance Industrial Tools & Accessories Catalog, © 1999, pp. 8-9.

Primary Examiner—Martie K. Holtje
Attorney, Agent, or Firm—Brooks & Kushman P.C.

[57] **CLAIM**

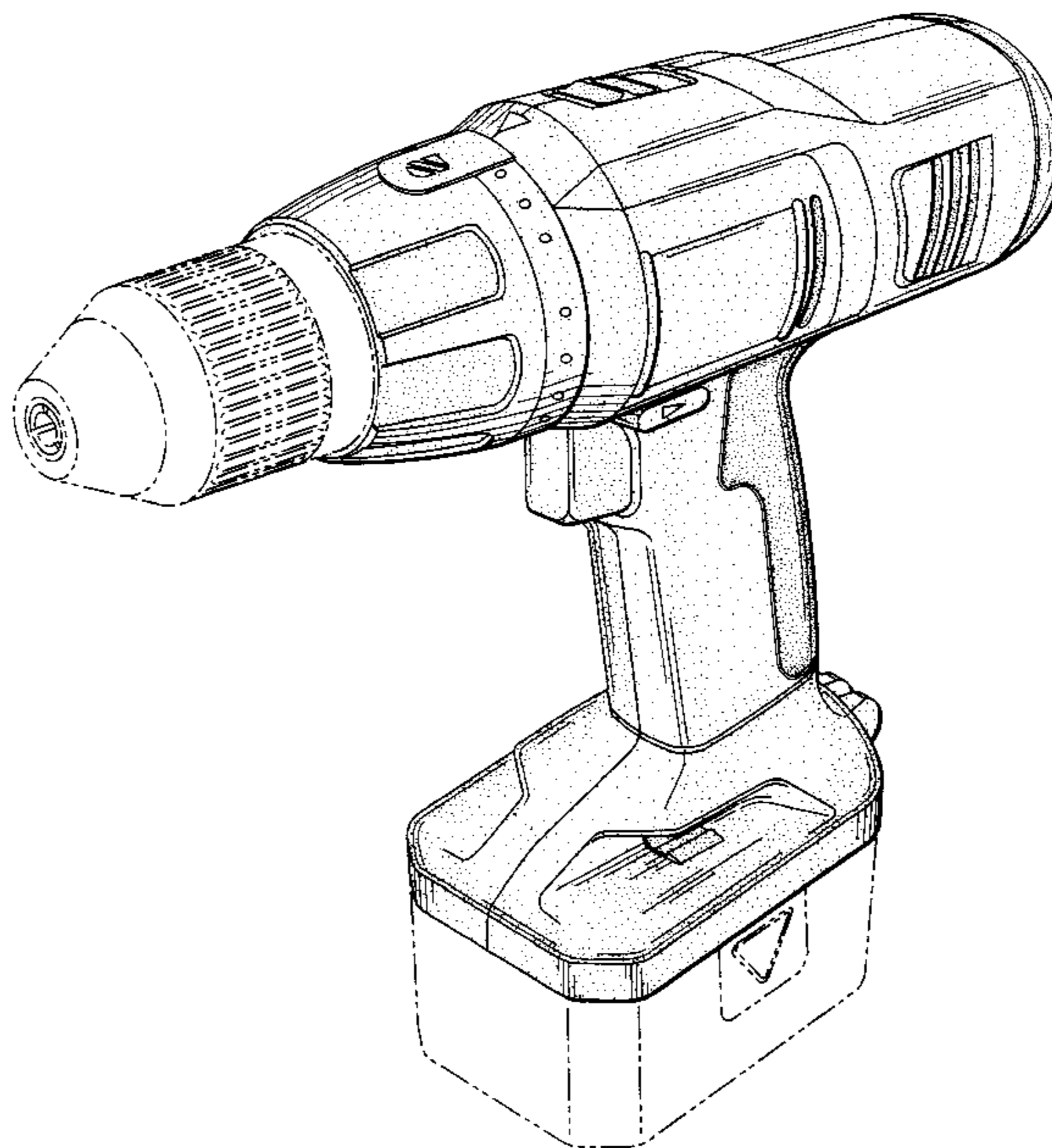
The ornamental design for a driver drill, as shown and described.

DESCRIPTION

FIG. 1 is a perspective view of the driver drill;
FIG. 2 is a left side elevational view, the right side elevational view being a mirror image thereof;
FIG. 3 is a rear elevational view;
FIG. 4 is a front elevational view;
FIG. 5 is a top plan view; and,
FIG. 6 is a bottom plan view.

The structure depicted by means of broken lines in the drawing figures has been shown for illustrative purposes only and forms no part of the claimed design.

1 Claim, 4 Drawing Sheets



U.S. PATENT DOCUMENTS

D. 329,580	9/1992	Sasaki et al. .	D. 384,261	9/1997	Hayakawa et al. .
D. 332,208	1/1993	Sakamoto et al. .	D. 386,662	11/1997	Tozawa et al. .
D. 335,073	4/1993	Anthony et al. .	D. 389,384	1/1998	Lui .
D. 339,046	9/1993	Fushiya et al. .	D. 392,530	3/1998	Lui .
D. 339,727	9/1993	Kikuchi .	D. 393,581	4/1998	McCallops et al. .
D. 340,394	10/1993	Okumura .	D. 394,995	6/1998	Cooper .
D. 340,396	10/1993	Ichikawa .	D. 396,177	7/1998	Schultz .
D. 342,430	12/1993	Saito et al. .	D. 396,789	8/1998	Murray .
D. 345,090	3/1994	Okumura .	D. 402,871	12/1998	Clowers et al. .
D. 345,682	4/1994	Sasaki et al. .	D. 402,872	12/1998	Clowers et al. .
D. 359,215	6/1995	Zurwelle .	D. 403,220	12/1998	Kimata et al. .
D. 360,814	8/1995	Kimata .	D. 404,276	1/1999	Ghode et al. .
D. 362,167	9/1995	Zurwelle .	D. 409,467	5/1999	Chung .
D. 368,214	3/1996	Zurwelle .	D. 419,413	1/2000	Heun D8/68
D. 377,442	1/1997	Kikuchi .	4,647,260	3/1987	O'Hara et al. 408/241 S
D. 377,893	2/1997	Lui .	4,803,904	2/1989	Stanich et al. 81/54
D. 378,268	3/1997	Schultz .	5,094,133	3/1992	Schreiber 81/474
D. 380,952	7/1997	Kim .	5,230,261	7/1993	Akazawa et al. .
D. 382,457	8/1997	Ghode et al. .	5,524,512	6/1996	Wolfe 81/429

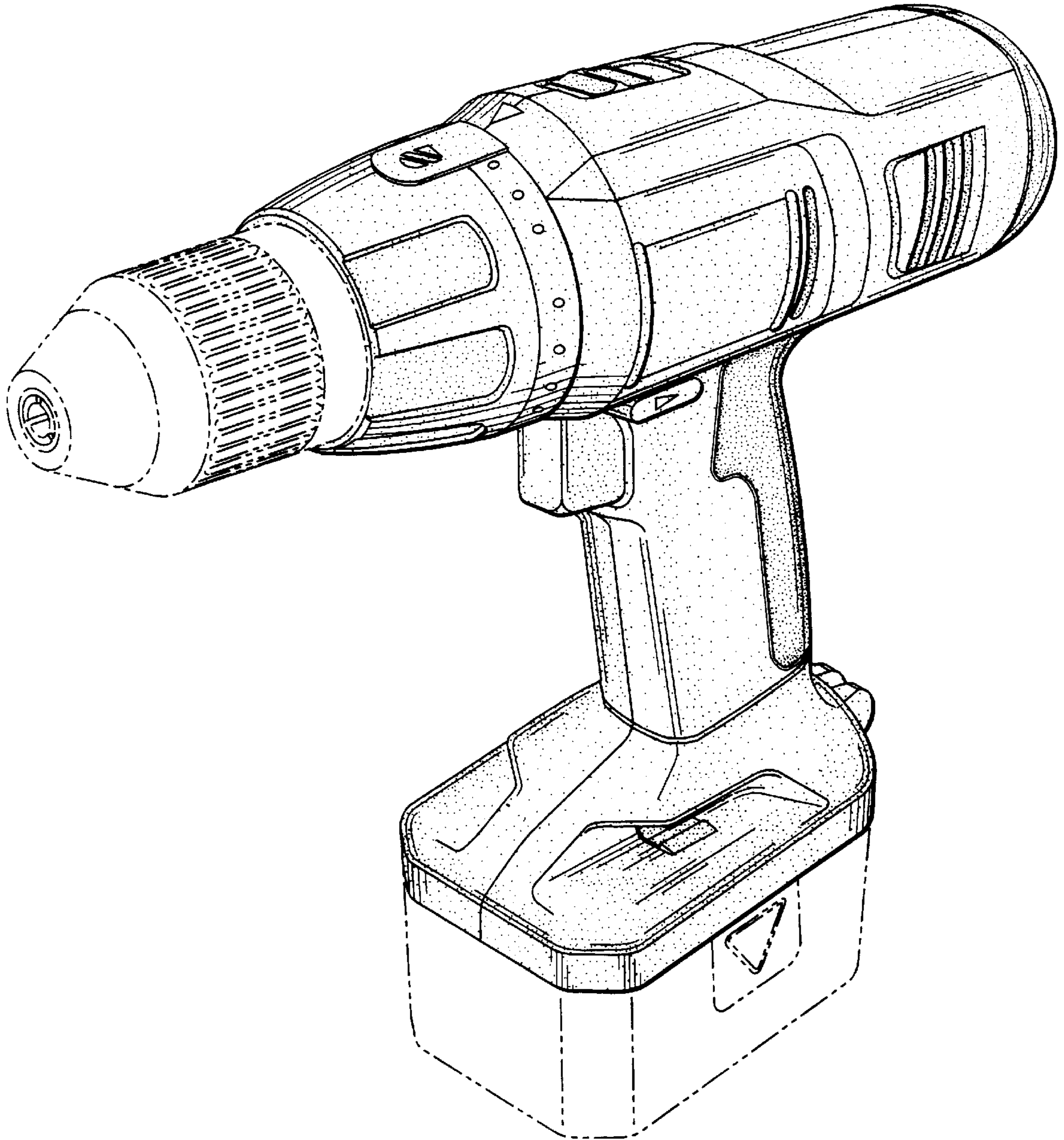


Fig. 1

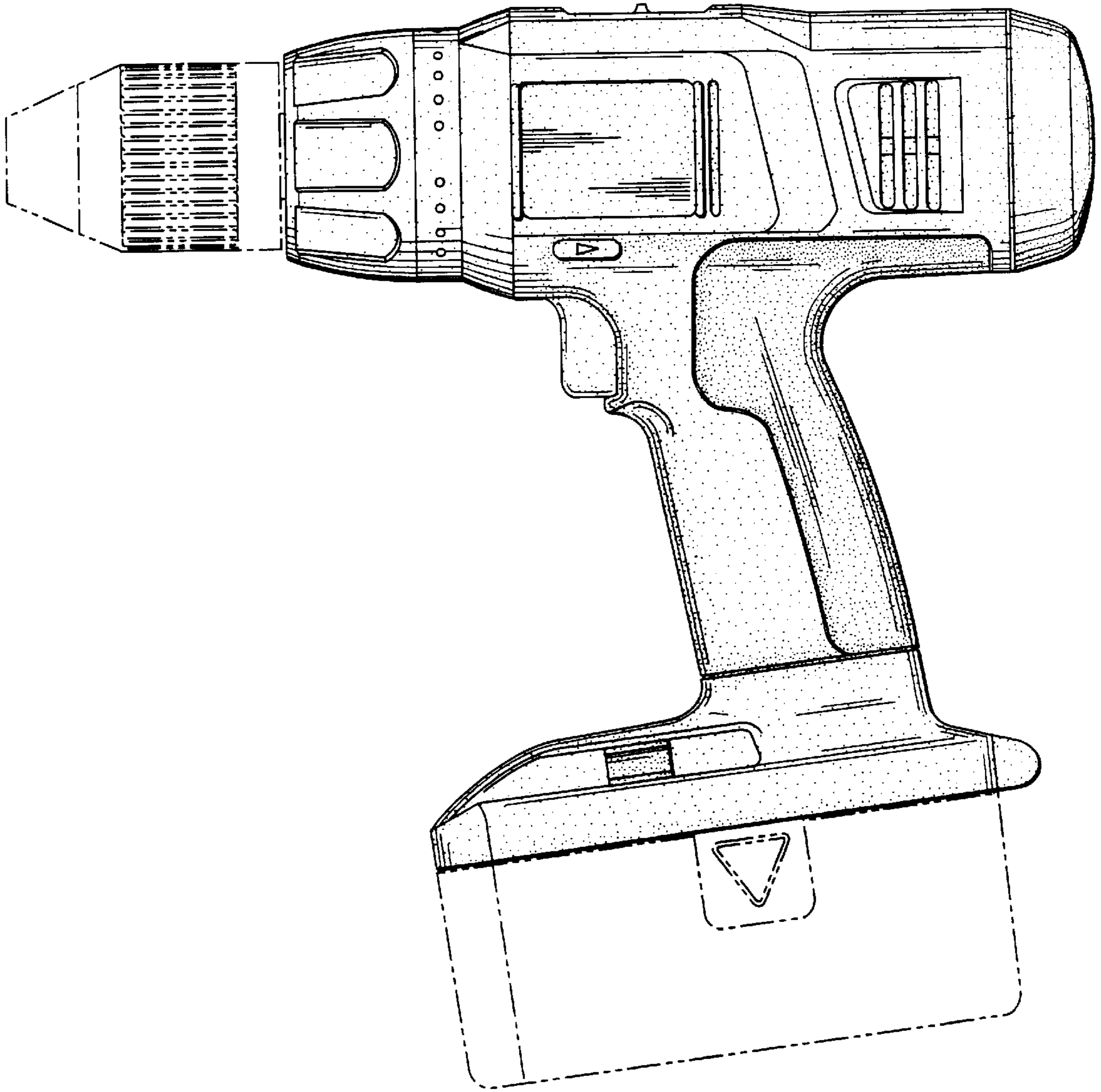


Fig. 2

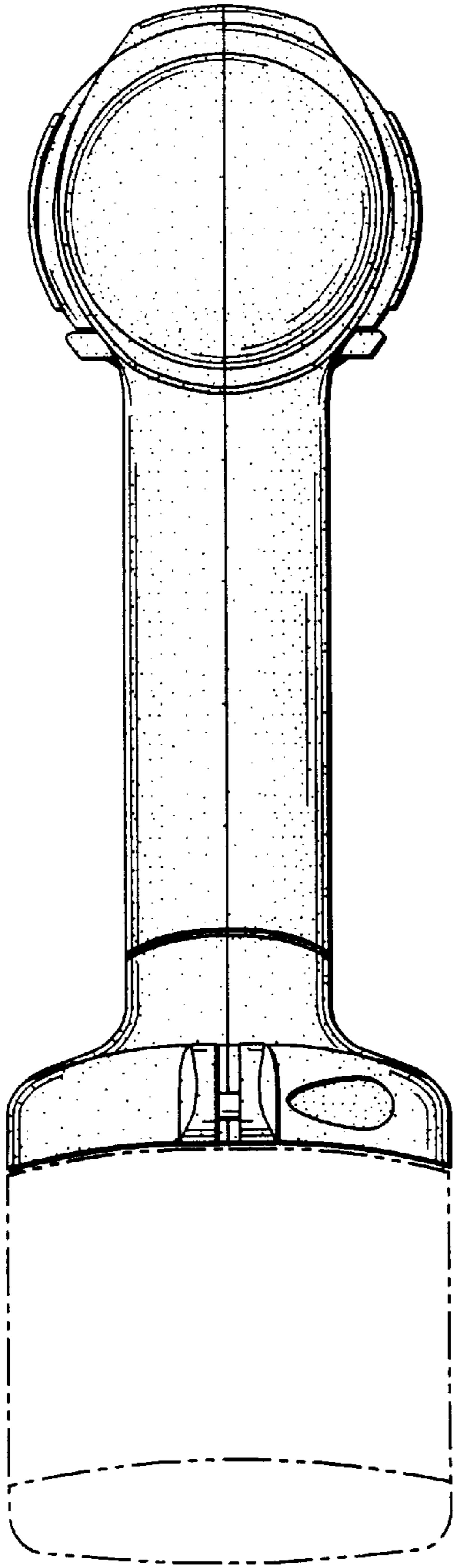


Fig. 3

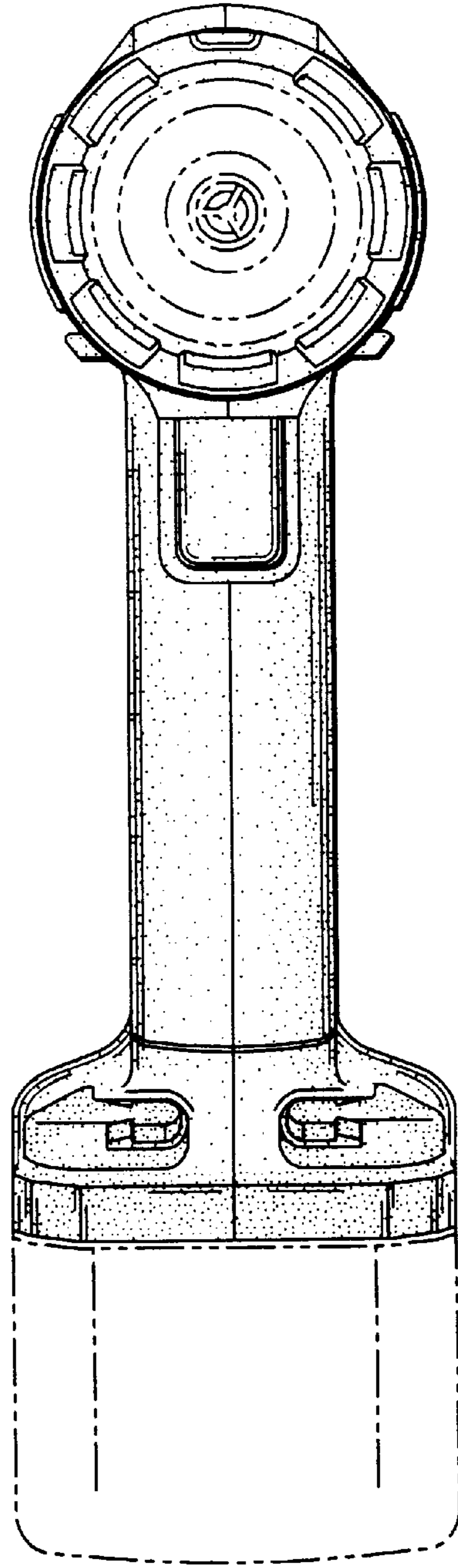


Fig. 4

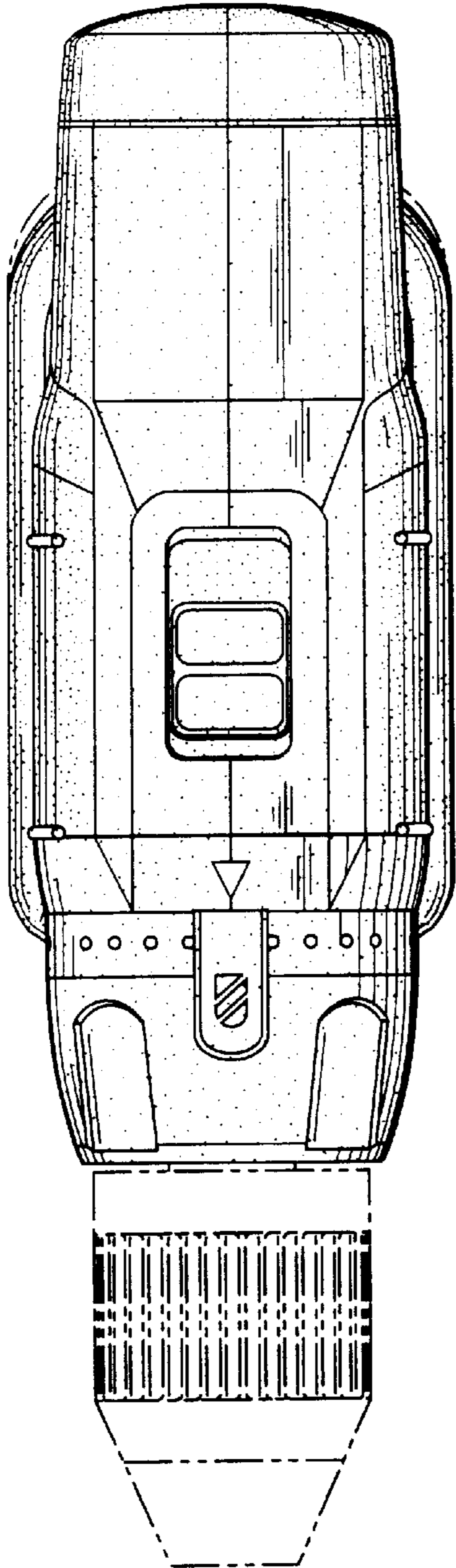


Fig. 5

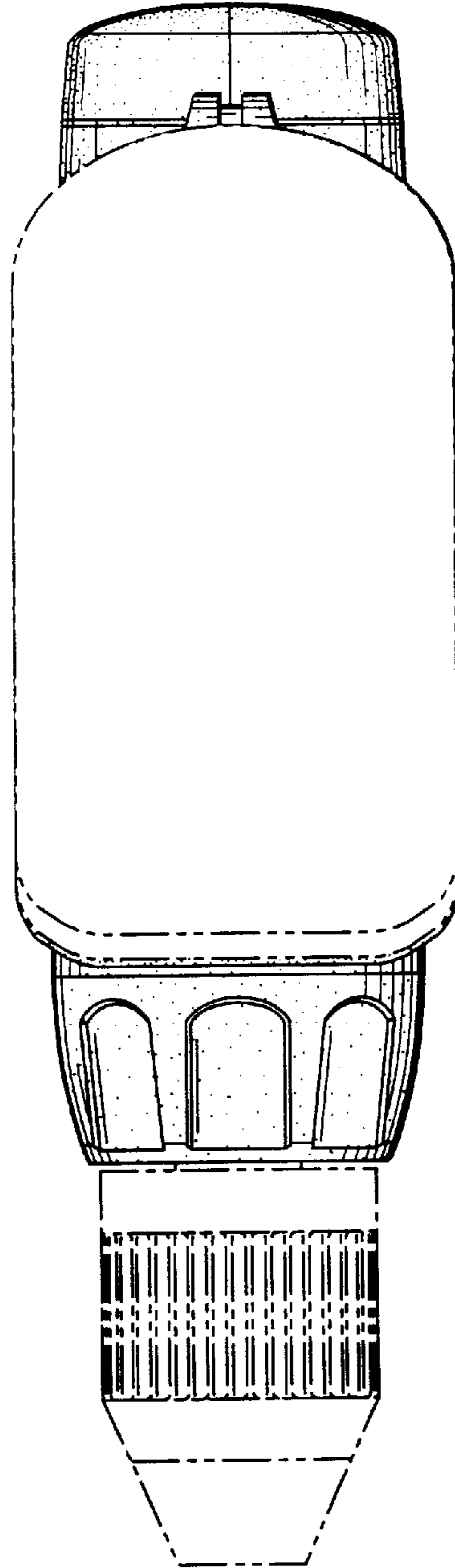


Fig. 6