



US00D428319S

# United States Patent [19] Gallagher

[11] Patent Number: Des. 428,319

[45] Date of Patent: \*\* Jul. 18, 2000

[54] CIRCULAR SAW

[75] Inventor: P. Sean Gallagher, Arlington Heights, Ill.

[73] Assignee: S-B Power Tool Company, Chicago, Ill.

[\*\*] Term: 14 Years

[21] Appl. No.: 29/109,173

[22] Filed: Aug. 11, 1999

[51] LOC (7) Cl. .... 08-03

[52] U.S. Cl. .... D8/66

[58] Field of Search ..... D8/61, 64, 65, D8/66, 67, 69, 70; 30/388, 389, 390, 391, 374; 83/574, 663, 666, 863, 701, 523, 544, 545, 56; 310/40 R, 50

[56] **References Cited**

U.S. PATENT DOCUMENTS

- D. 313,155 12/1990 Somers ..... D8/66
- D. 332,735 1/1993 Fushiya et al. .... D8/66

- D. 363,656 10/1995 Gierke ..... D8/66
- D. 370,162 5/1996 Brazell et al. .... D8/66
- D. 411,425 6/1999 Sugimoto et al. .... D8/66
- D. 416,181 11/1999 Chung ..... D8/66
- 3,623,518 11/1971 Nicotra ..... 30/374
- 4,856,394 8/1989 Clowers ..... 83/56

Primary Examiner—Martie K. Holtje  
Attorney, Agent, or Firm—Leo H. McCormick, Jr.; Warren Comstock

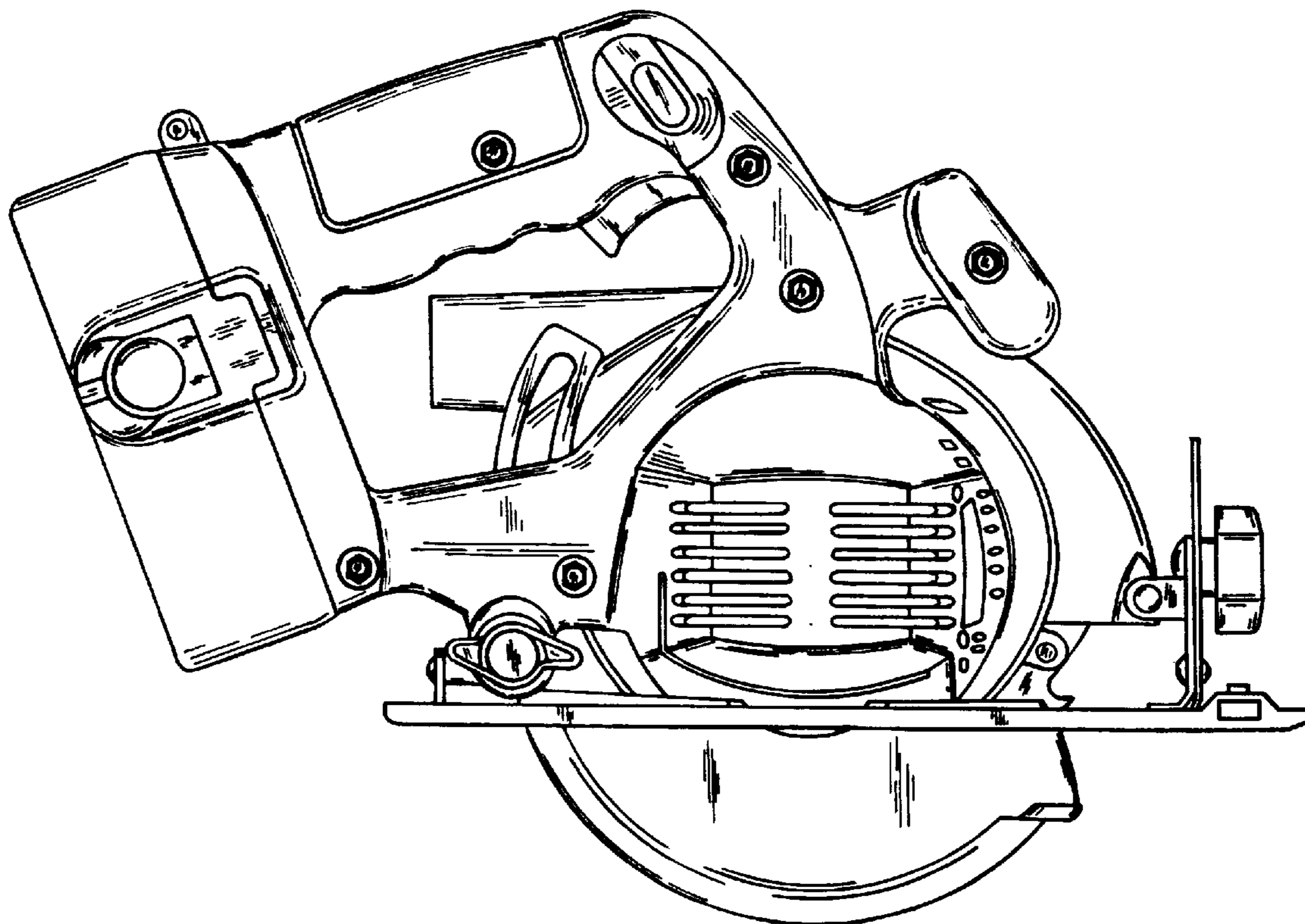
[57] **CLAIM**

The ornamental design for a circular saw, as shown and described.

**DESCRIPTION**

FIG. 1 is a right elevation view of a circular saw showing my new design;  
FIG. 2 is a front elevation view thereof;  
FIG. 3 is a left elevation thereof;  
FIG. 4 is a rear elevation view thereof;  
FIG. 5 is a top plan view thereof; and,  
FIG. 6 is a bottom plan view thereof.

1 Claim, 3 Drawing Sheets



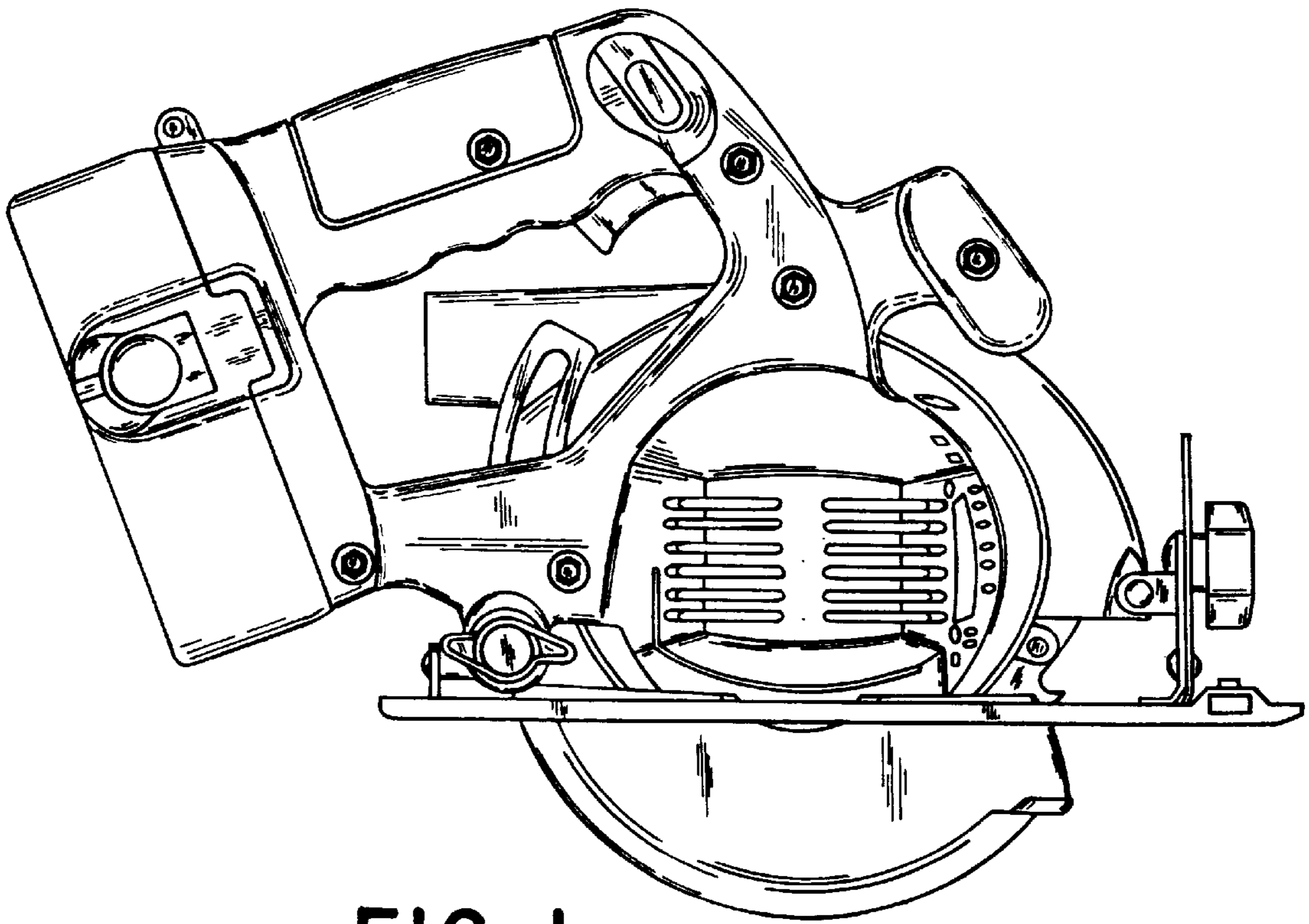


FIG. 1

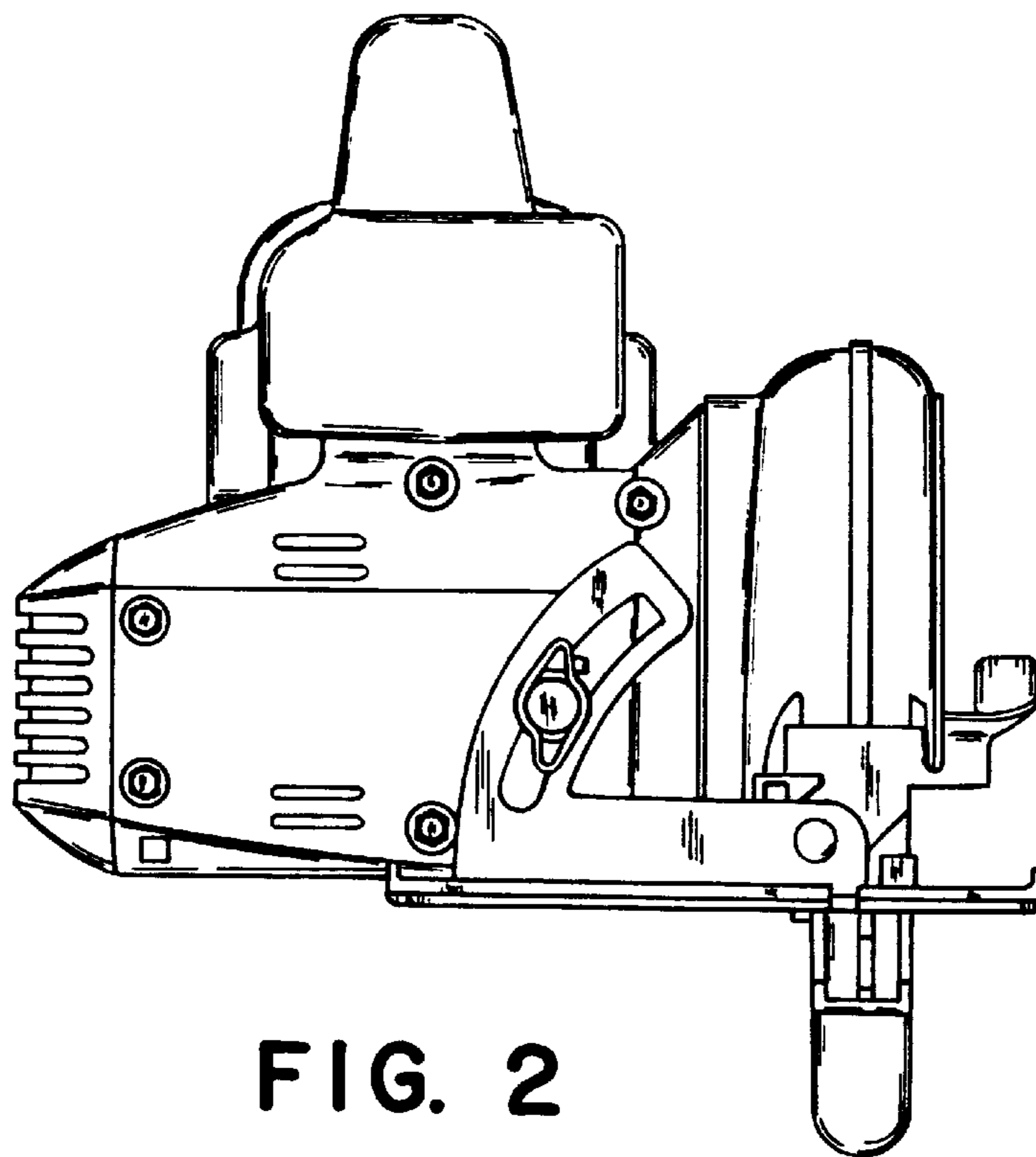


FIG. 2

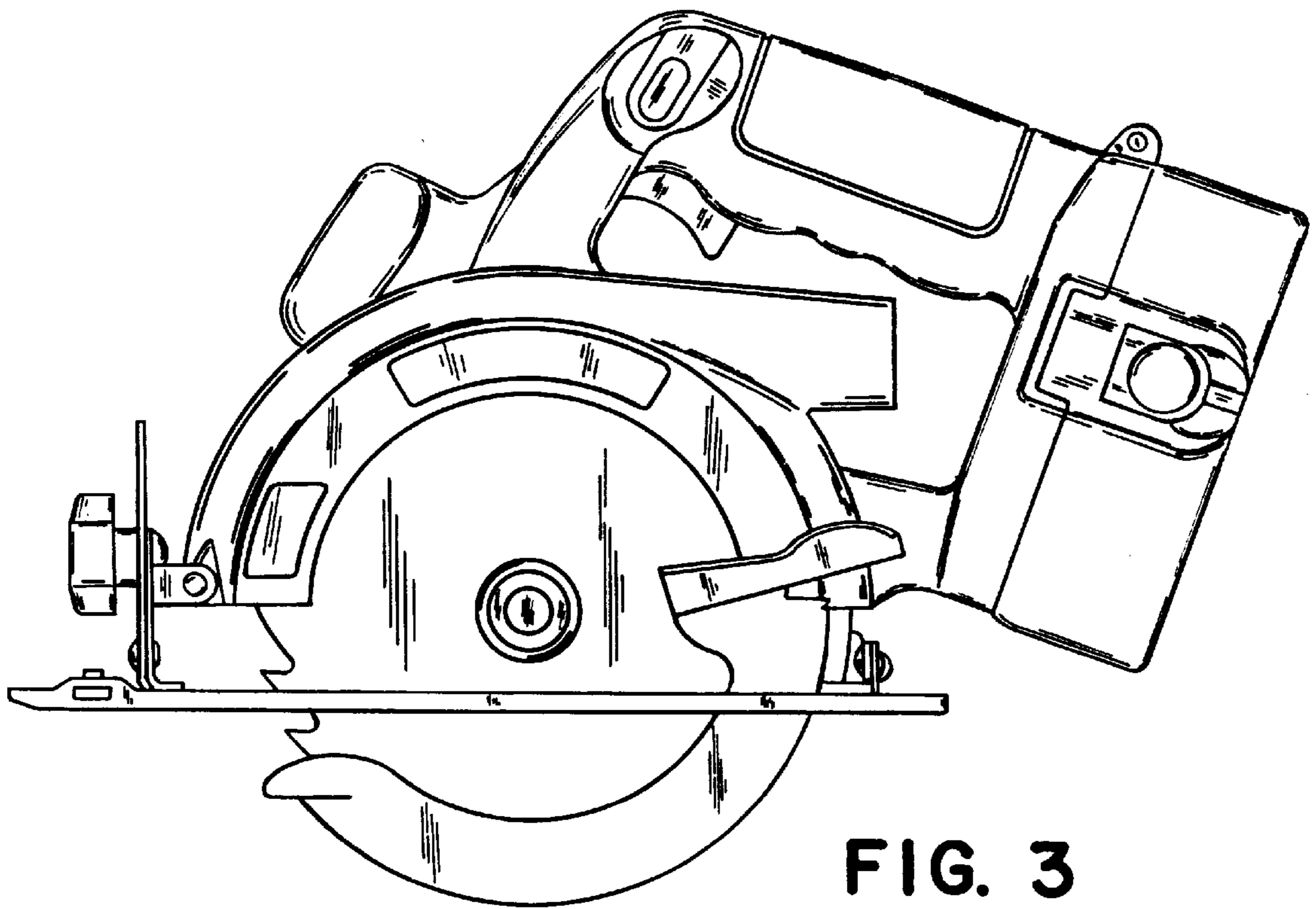


FIG. 3

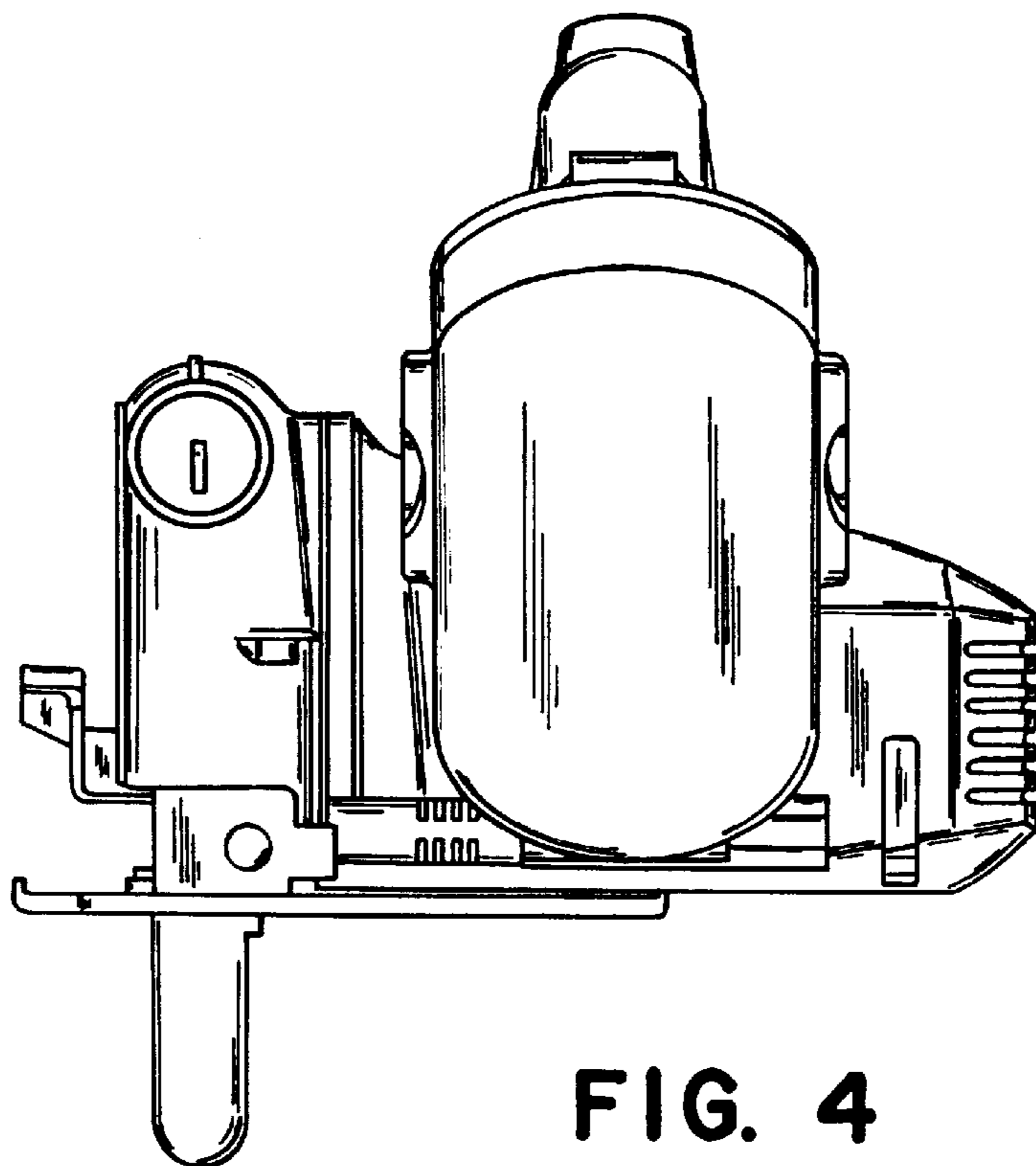


FIG. 4

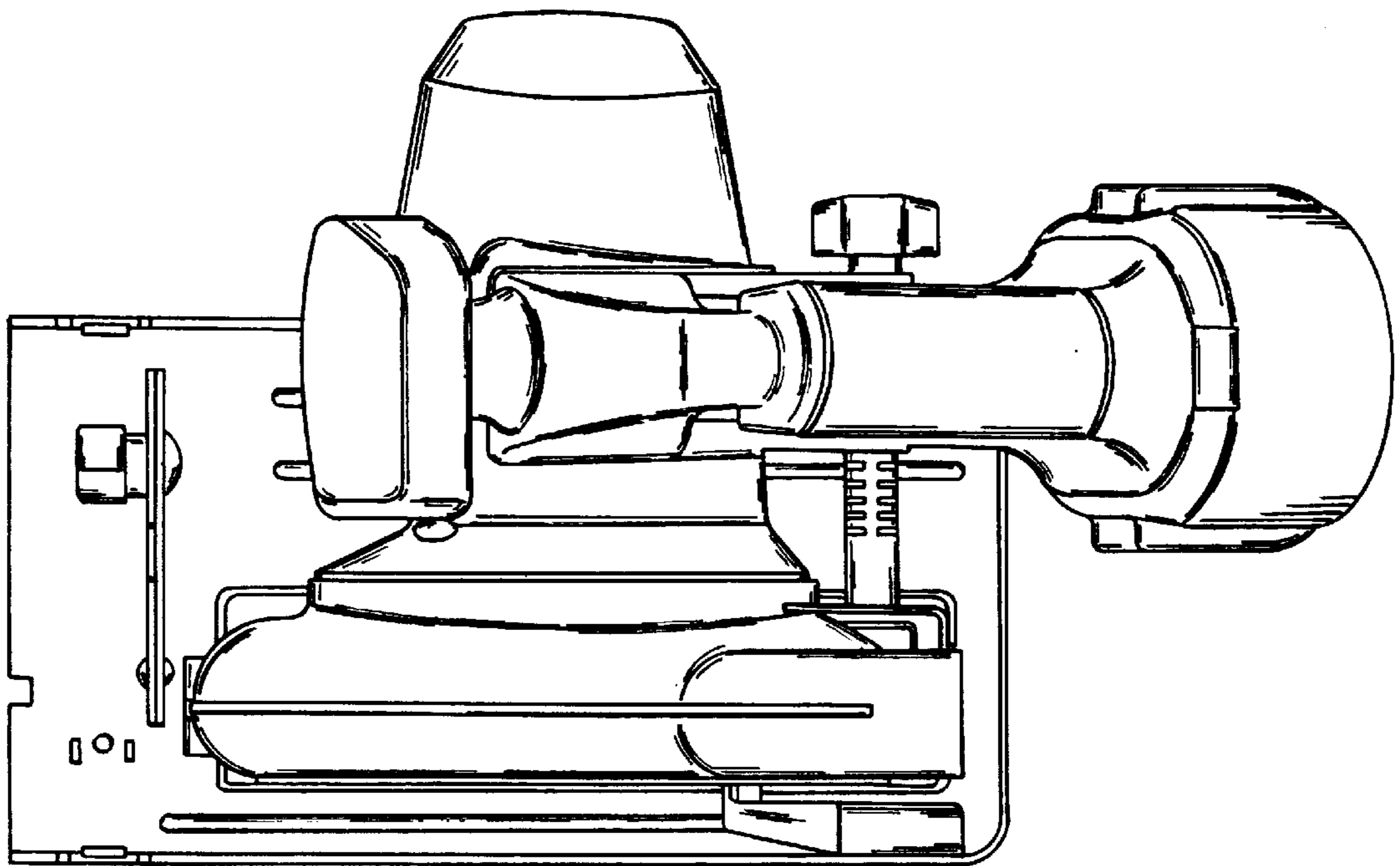


FIG. 5

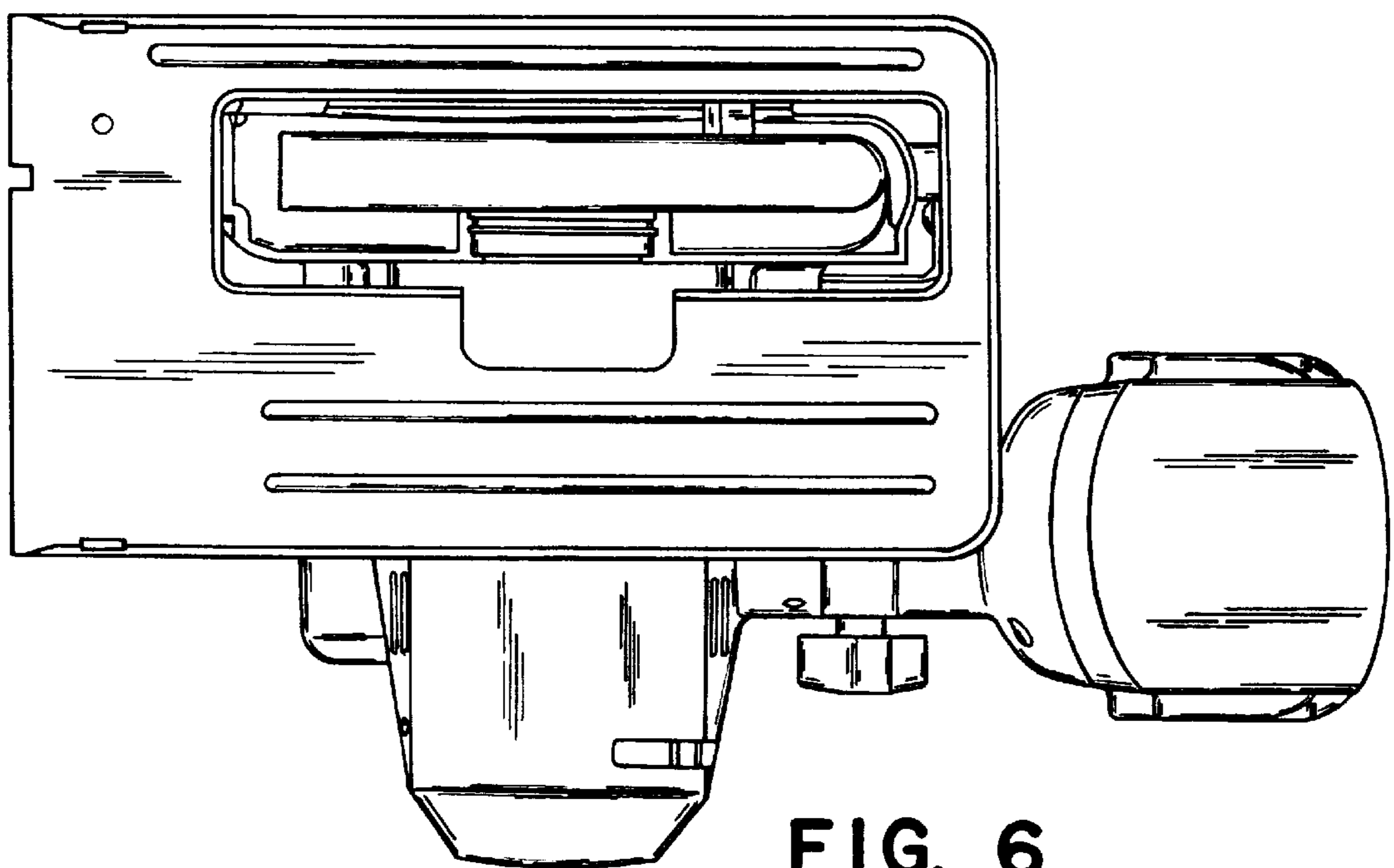


FIG. 6