



US00D428318S

United States Patent [19]

[11] Patent Number: **Des. 428,318**

Gallagher et al.

[45] Date of Patent: **** Jul. 18, 2000**

[54] **CIRCULAR SAW**

[75] Inventors: **P. Sean Gallagher**, Arlington Hts., Ill.;
Klaus Baumgartner, Sindelfingen,
Germany

[73] Assignee: **S-B Power Tool Corporation**, Chicago,
Ill.

[**] Term: **14 Years**

[21] Appl. No.: **29/104,908**

[22] Filed: **May 12, 1999**

[51] **LOC (7) Cl.** **08-03**

[52] **U.S. Cl.** **D8/66**

[58] **Field of Search** D8/61, 64, 65,
D8/66, 67, 69, 70; 30/388, 389, 390, 391;
83/574, 663, 666, 863, 701, 523, 544, 545;
310/40 R, 50

[56] **References Cited**

U.S. PATENT DOCUMENTS

D. 203,434 1/1966 Dawson D8/66
D. 327,828 7/1992 Hoshino et al. D8/66

D. 363,656 10/1995 Gierke D8/66
D. 411,425 6/1999 Sugimoto et al. D8/66
2,828,784 4/1958 Damijonaitis 30/388
3,873,862 3/1975 Butler 310/50
4,516,324 5/1985 Heininger, Jr. et al. 30/377

Primary Examiner—Martie K. Holtje
Attorney, Agent, or Firm—Leo H. McCormick, Jr.; Warren
Comstock

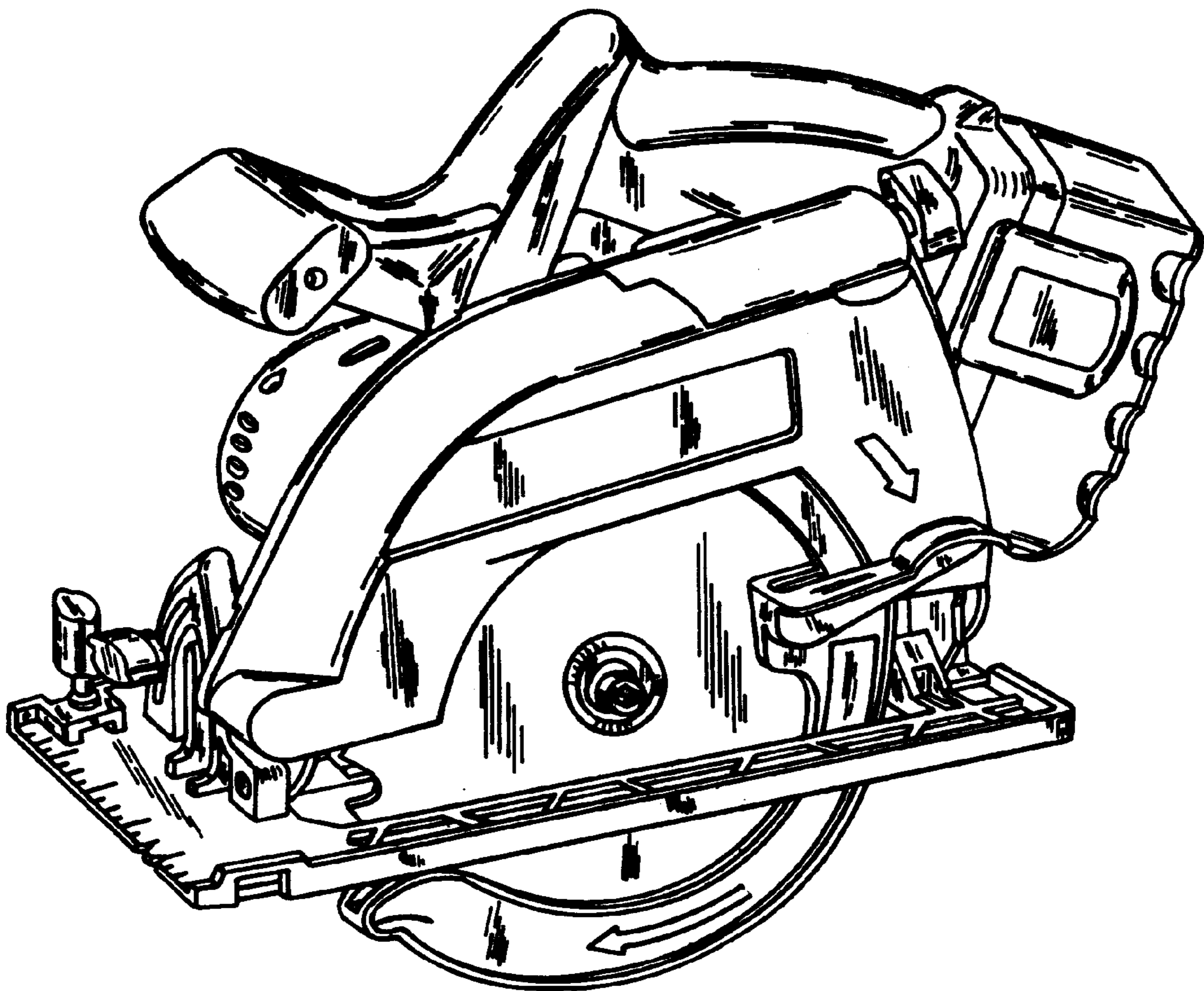
[57] **CLAIM**

The ornamental design for a circular saw, as shown and
described.

DESCRIPTION

FIG. 1 is a right rear perspective view of a circular saw
showing our new design;
FIG. 2 is a right elevation view thereof;
FIG. 3 is a front elevation thereof;
FIG. 4 is a left elevation view thereof;
FIG. 5 is a rear elevation view thereof;
FIG. 6 is a top plan view thereof;
FIG. 7 is a bottom plan view thereof; and,
FIG. 8 is a left front perspective thereof.

1 Claim, 4 Drawing Sheets



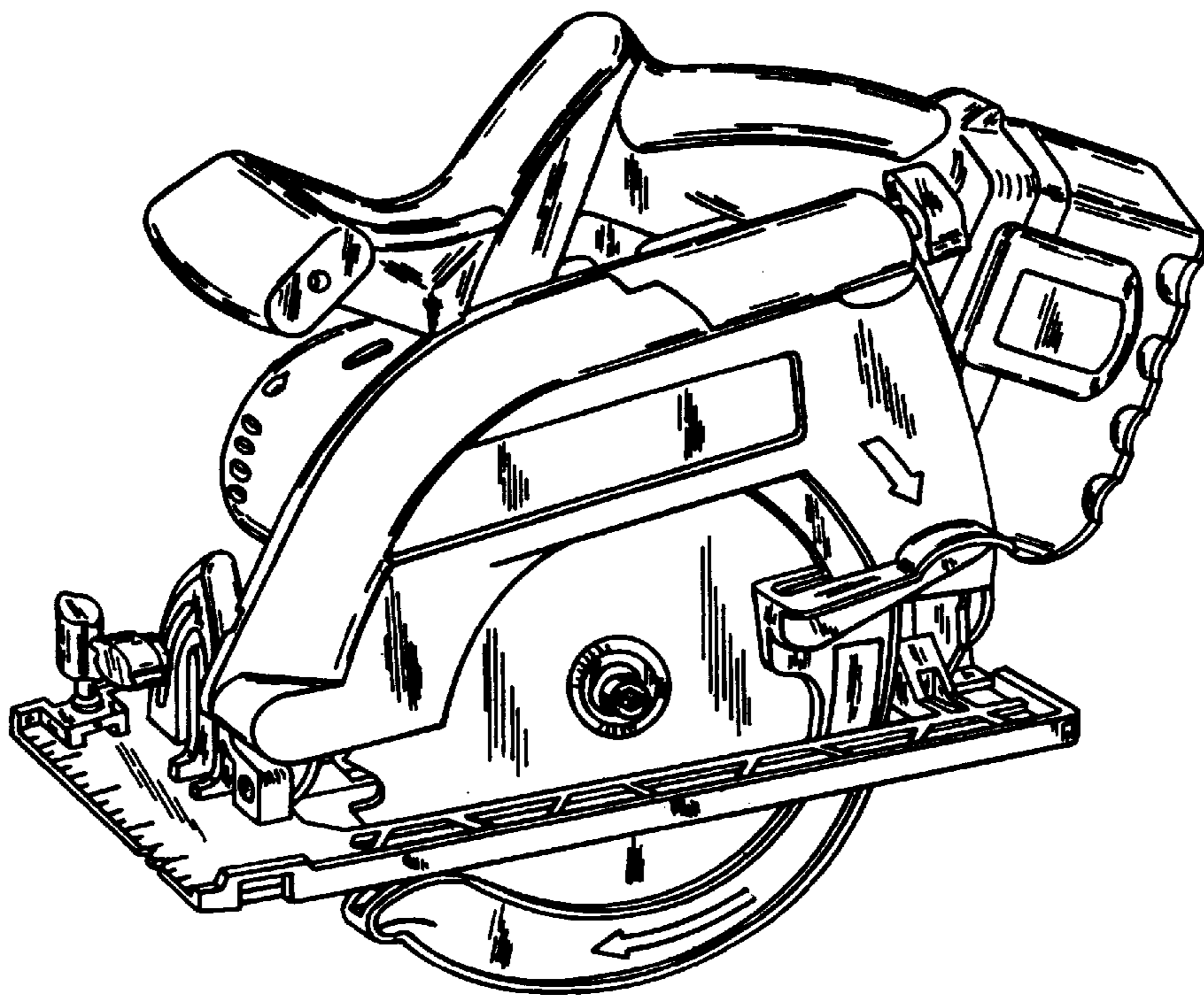


FIG. 1

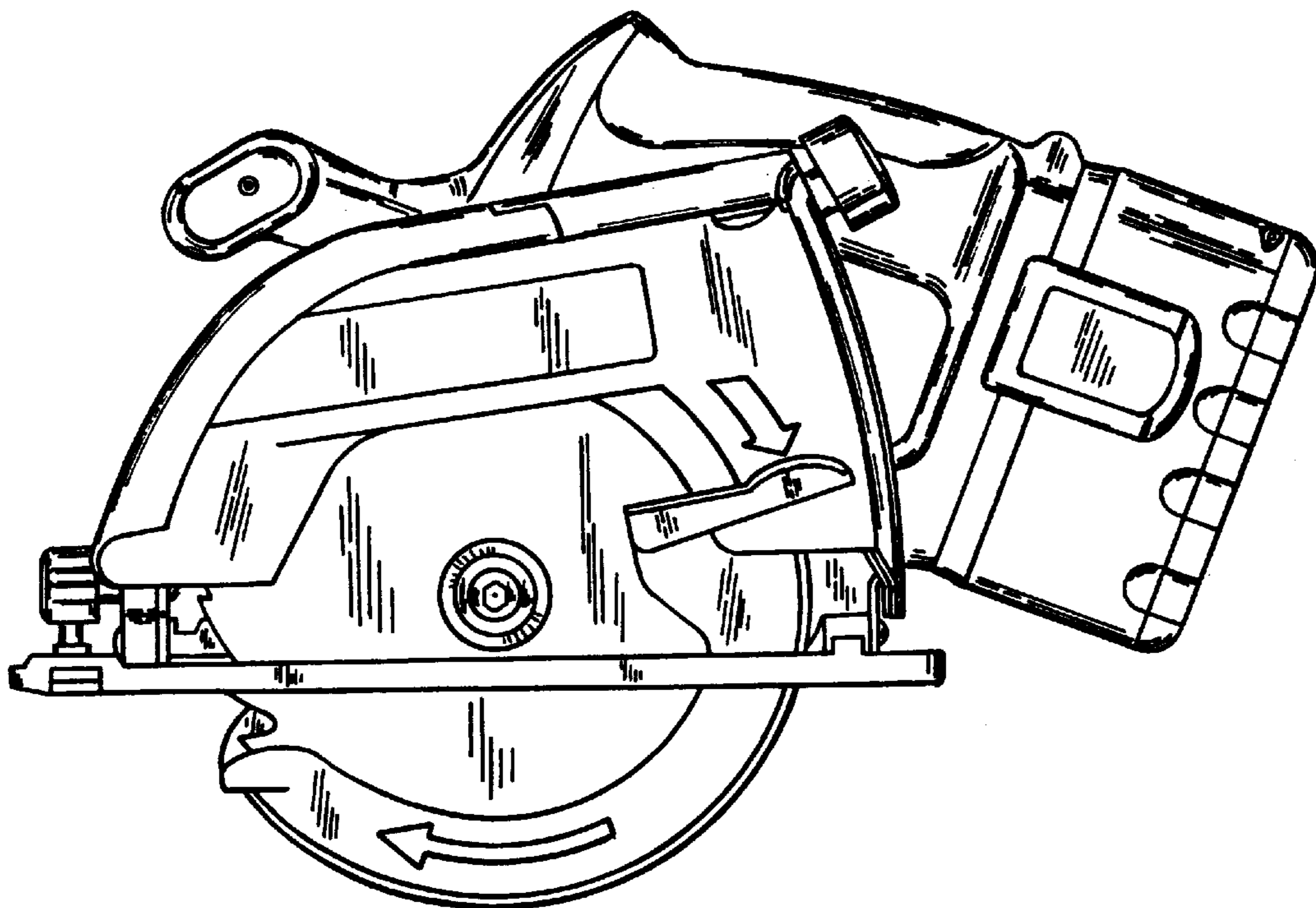


FIG. 2

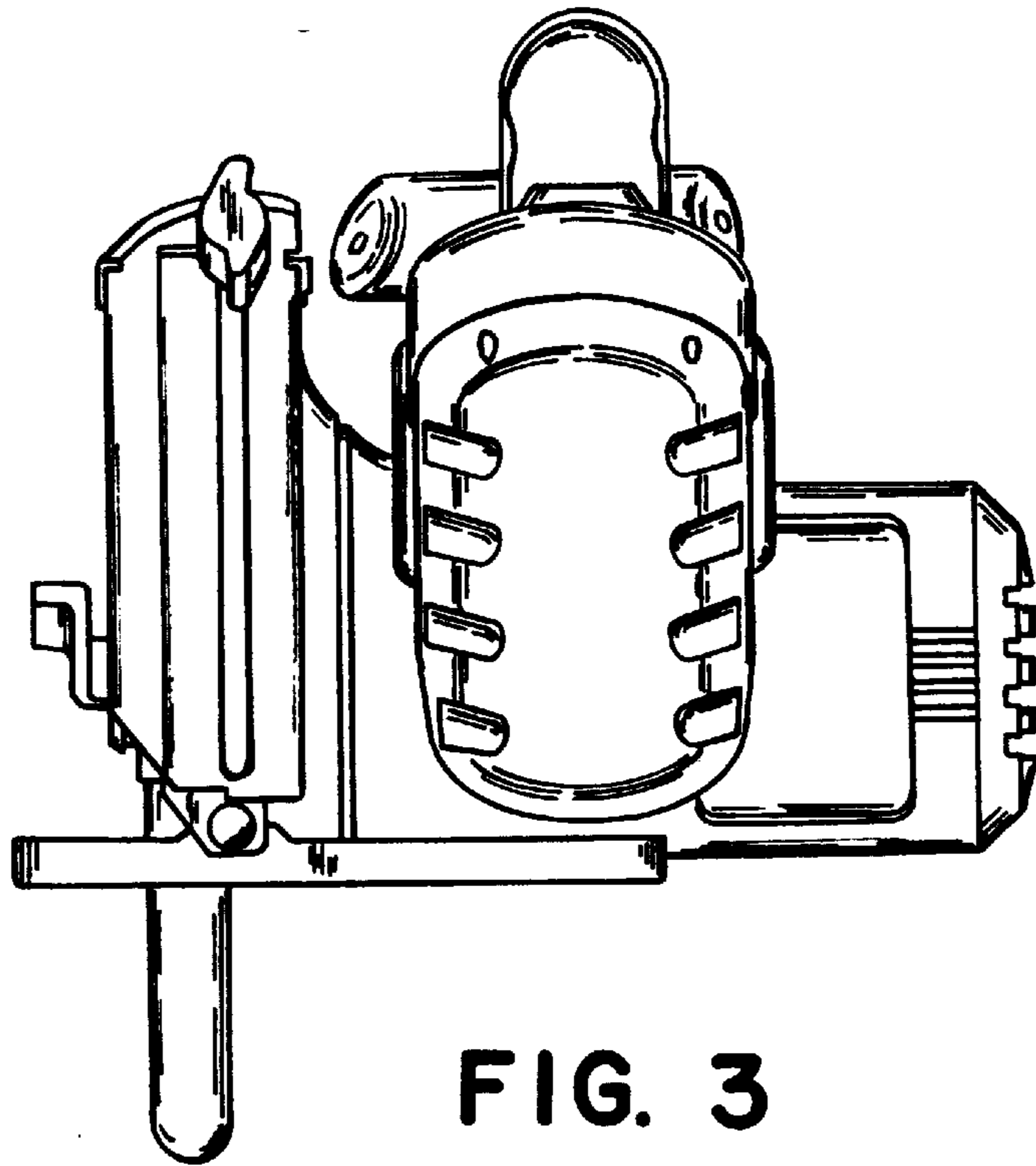


FIG. 3

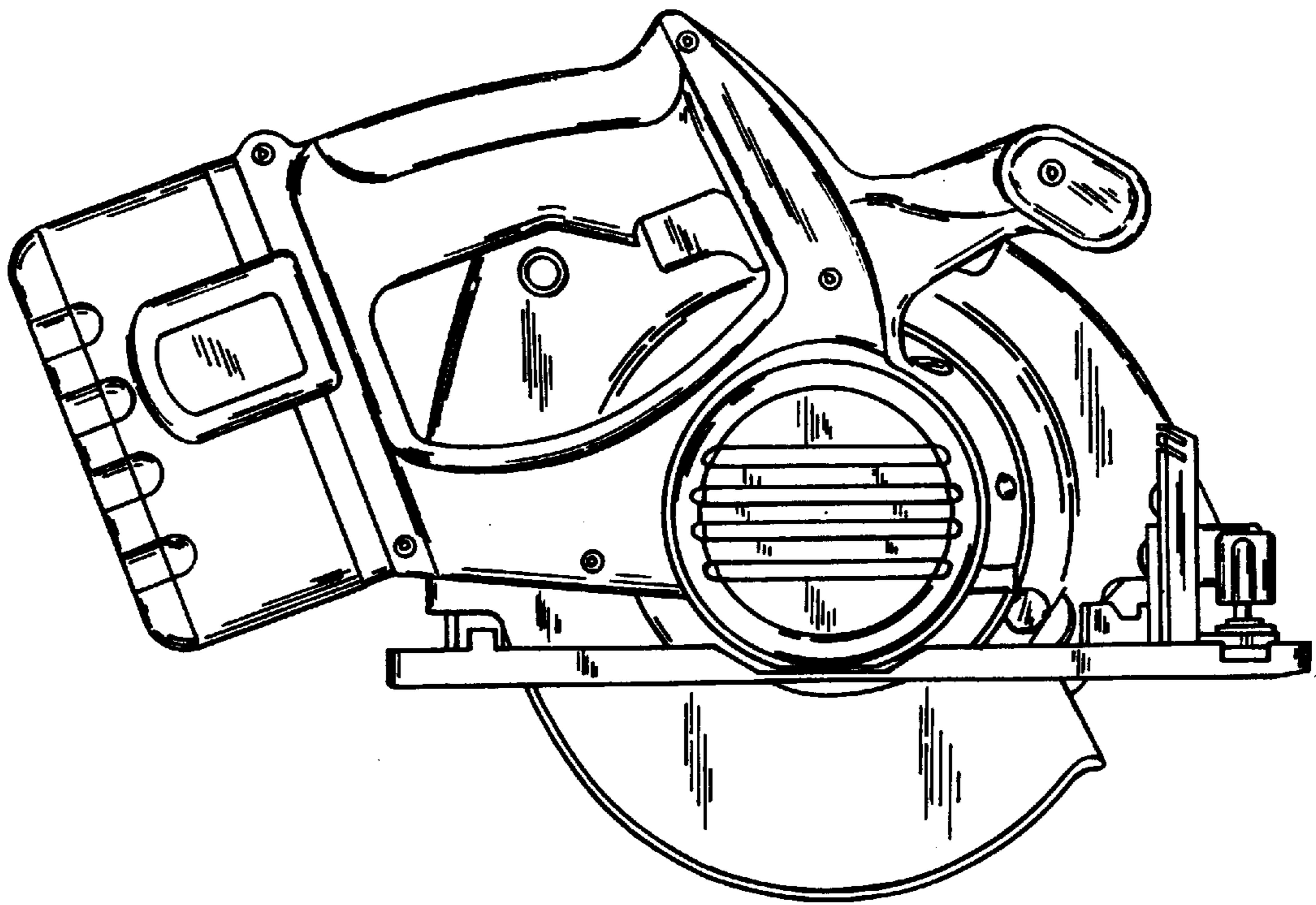


FIG. 4

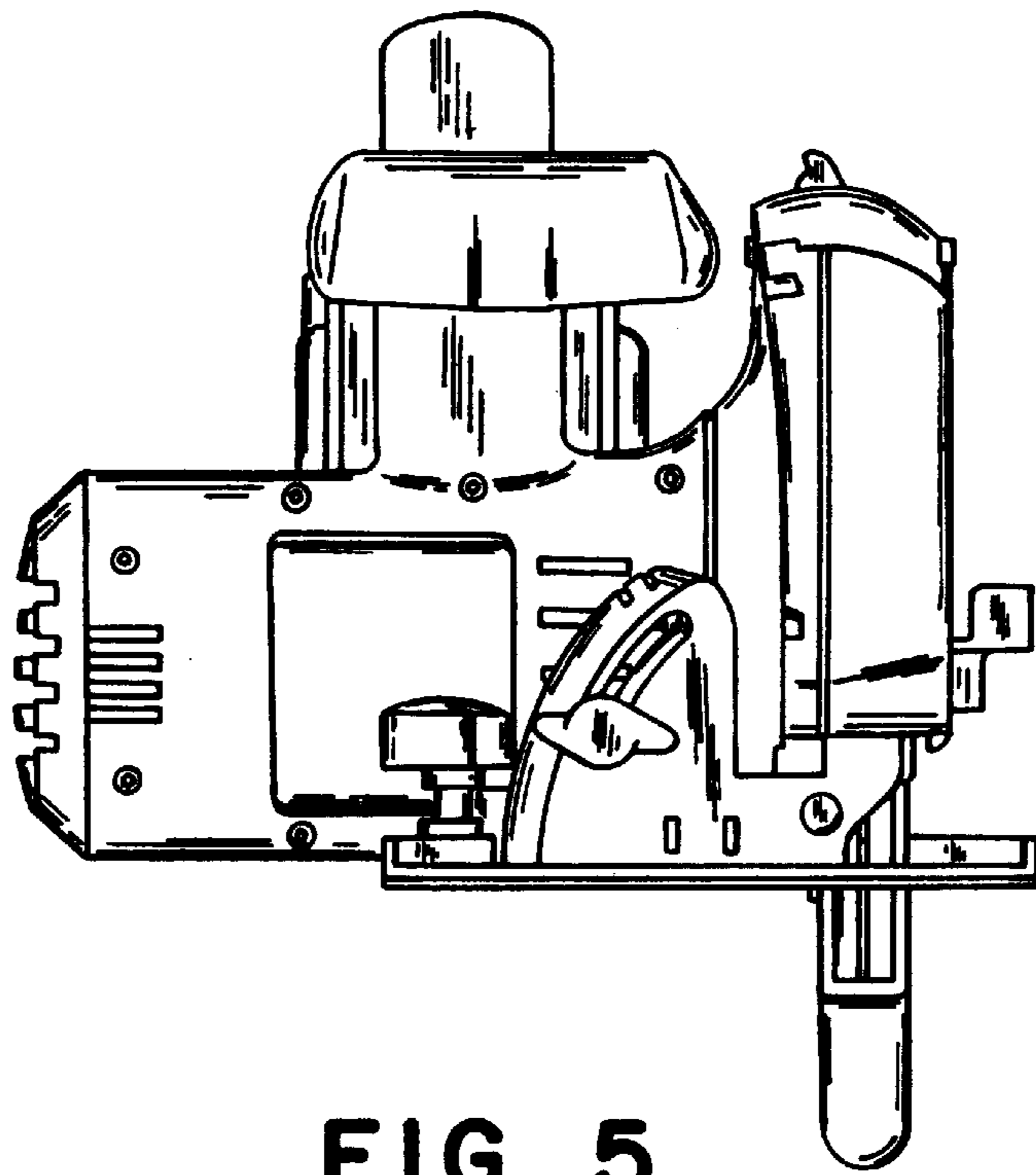


FIG. 5

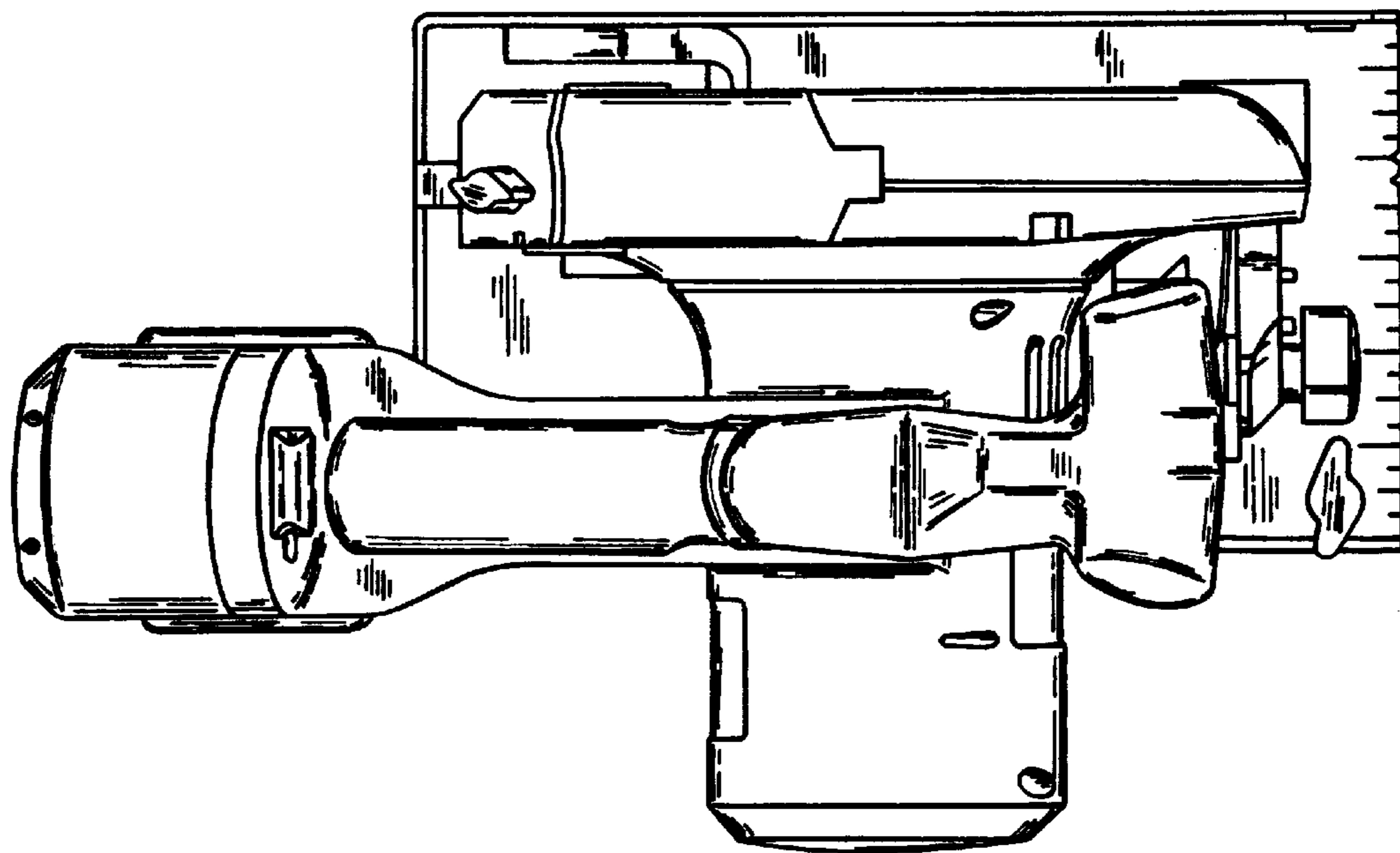


FIG. 6

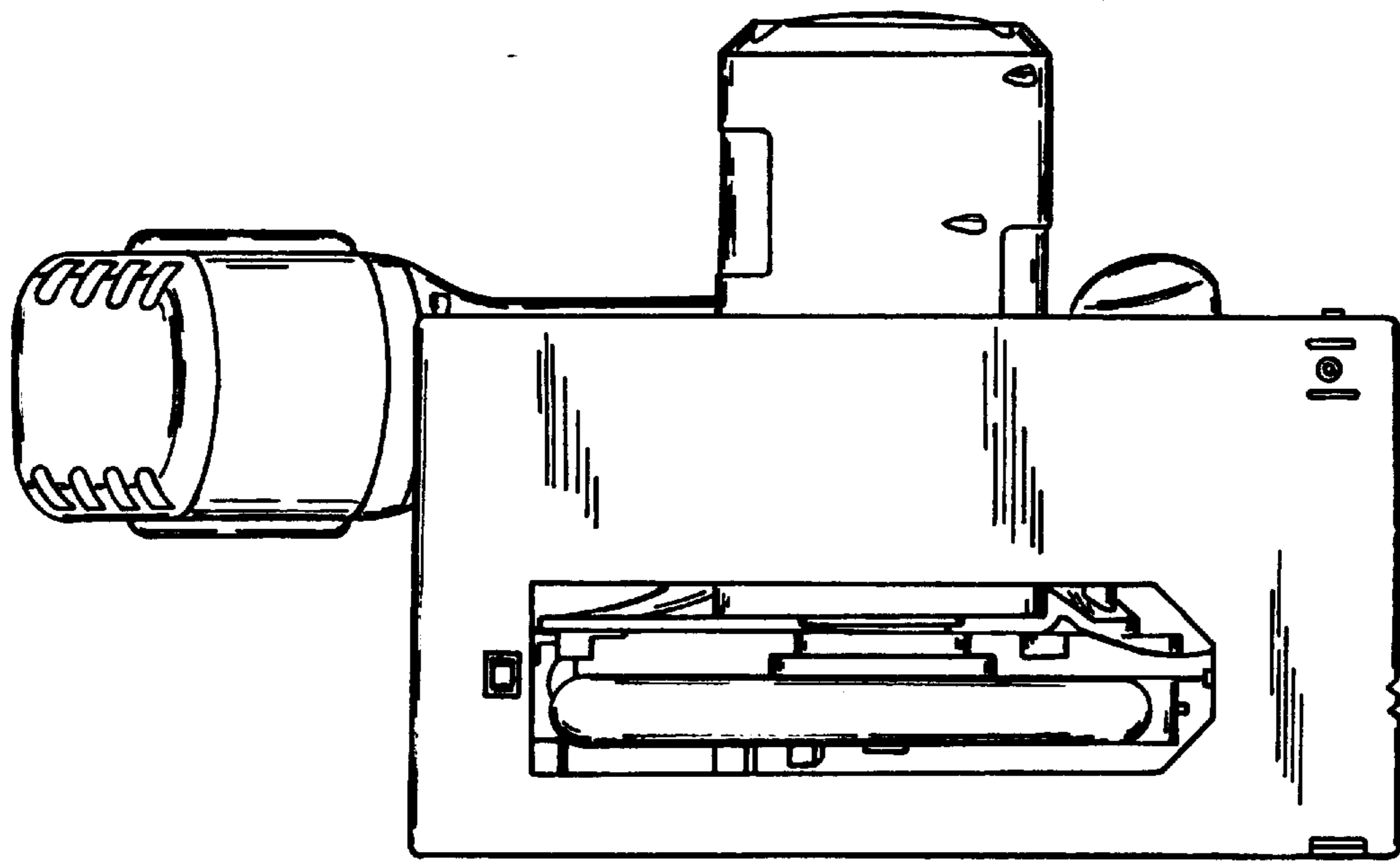


FIG. 7

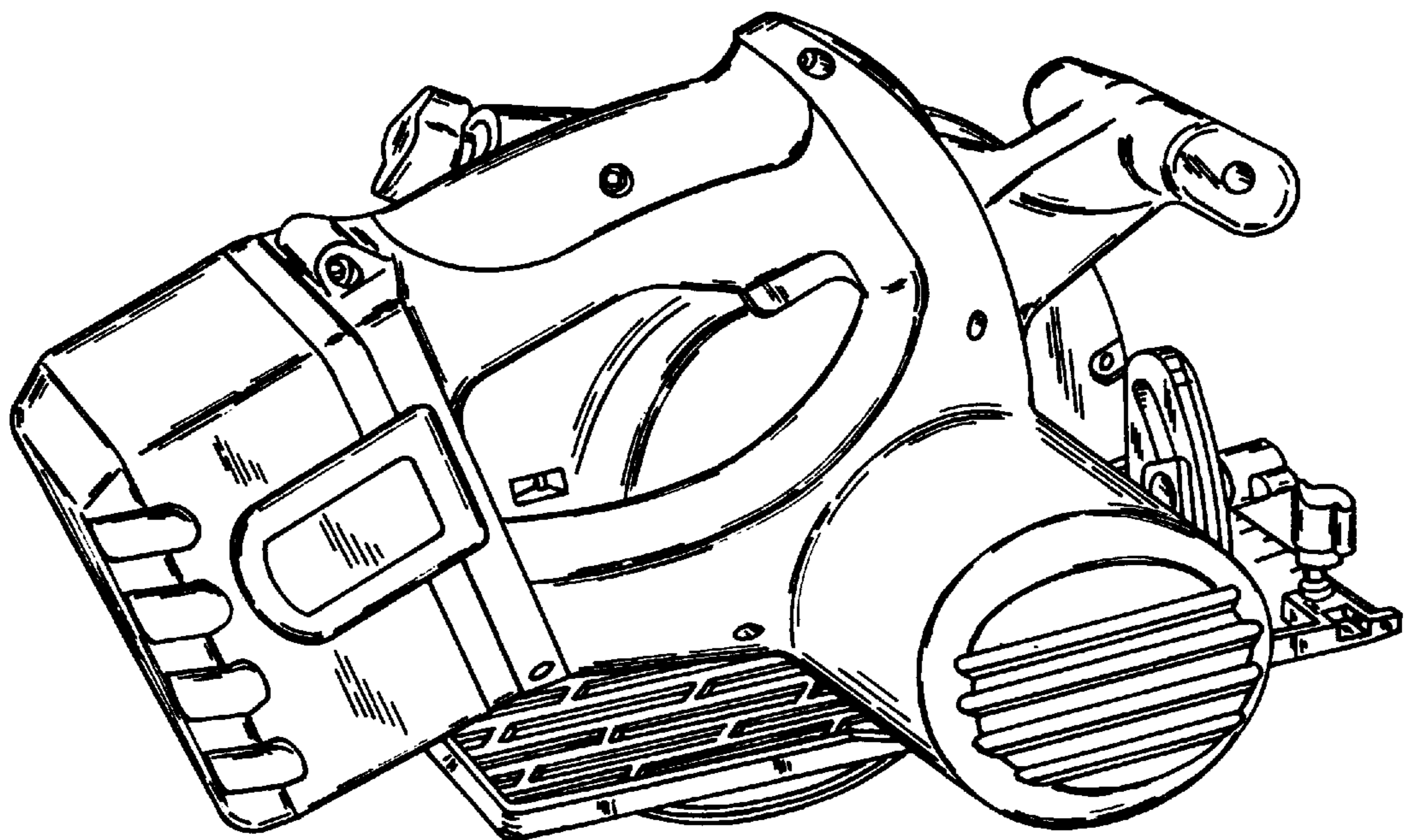


FIG. 8