



US00D428310S

# United States Patent [19]

[11] **Patent Number: Des. 428,310**

**Zettle et al.**

[45] **Date of Patent: \*\* Jul. 18, 2000**

[54] **RECTANGULAR CONTAINER WITH LID**

U.S. application Ser. No. 09/104,743, Zettle et al., filed Jun. 1998.

[75] Inventors: **Jeffrey J. Zettle**, Bay; **Peter T. Evers**, Sanford; **Donald E. Hodge**, Clare, all of Mich.

U.S. application Ser. No. 09/104,508, Zettle et al., filed Jun. 1998.

[73] Assignee: **S. C. Johnson Home Storage Inc.**, Racine, Wis.

U.S. application Des. Ser. No. 29/099,451, Wilson et al., filed Jan. 1999.

[\*\*] Term: **14 Years**

U.S. application Ser. No. 09/370,913, Zettle et al., filed Aug. 1999.

[21] Appl. No.: **29/112,685**

*Primary Examiner*—Terry A. Wallace

[22] Filed: **Oct. 21, 1999**

## [57] CLAIM

[51] **LOC (7) Cl.** ..... **07-01**

The ornamental design for an rectangular container with lid, as shown and described.

[52] **U.S. Cl.** ..... **D7/629**

[58] **Field of Search** ..... D7/602, 629, 538-542; D9/415, 418, 423-425, 432; 220/662, 675, 780-783, 792-794, 796-799, 805

## DESCRIPTION

### [56] References Cited

FIG. 1 is a front perspective view illustrating the oblong container with lid, constructed in accordance with the teachings of the present invention;

#### U.S. PATENT DOCUMENTS

D. 278,675	5/1985	Tardif et al.	.....	D7/629
D. 330,830	11/1992	Baranyai et al.	.....	D7/538
D. 336,850	6/1993	Guillin	.....	D9/425 X
D. 411,714	6/1999	Wilson et al.	.	
D. 411,741	6/1999	Wilson et al.	.	
4,819,824	4/1989	Lonebottom et al.	.....	220/783 X

FIG. 2 is a top plan view thereof;

FIG. 3 is a bottom plan view thereof;

FIG. 4 is a front view thereof;

FIG. 5 is a rear view thereof;

FIG. 6 is a left side elevational view; and,

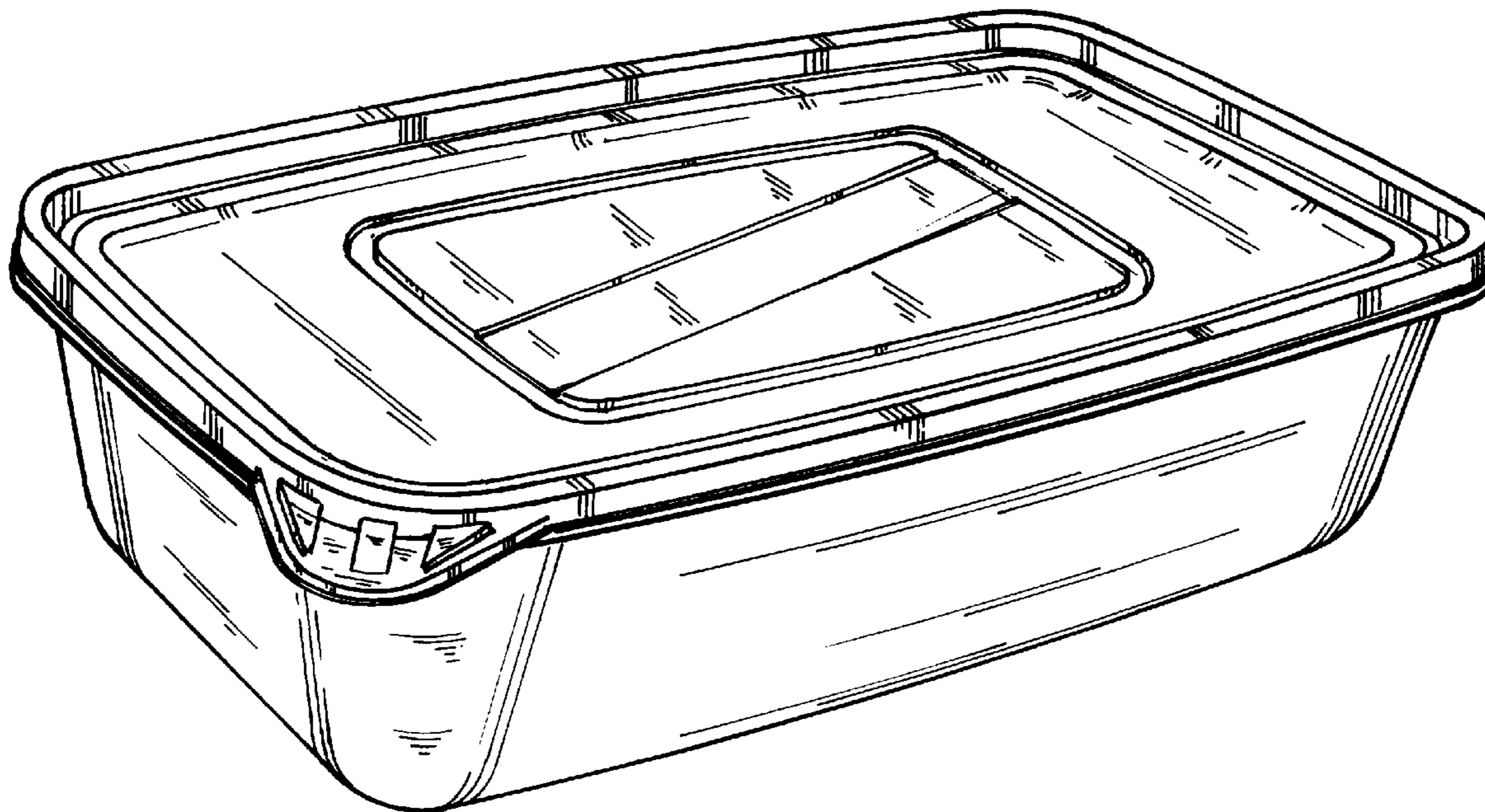
FIG. 7 is a right side view thereof.

#### OTHER PUBLICATIONS

U.S. application Des. Ser. No. 29/089,835, Wilson et al., filed Jun. 1998.

U.S. application Ser. No. 09/104,739, Porchia et al., filed Jun. 1998.

**1 Claim, 3 Drawing Sheets**



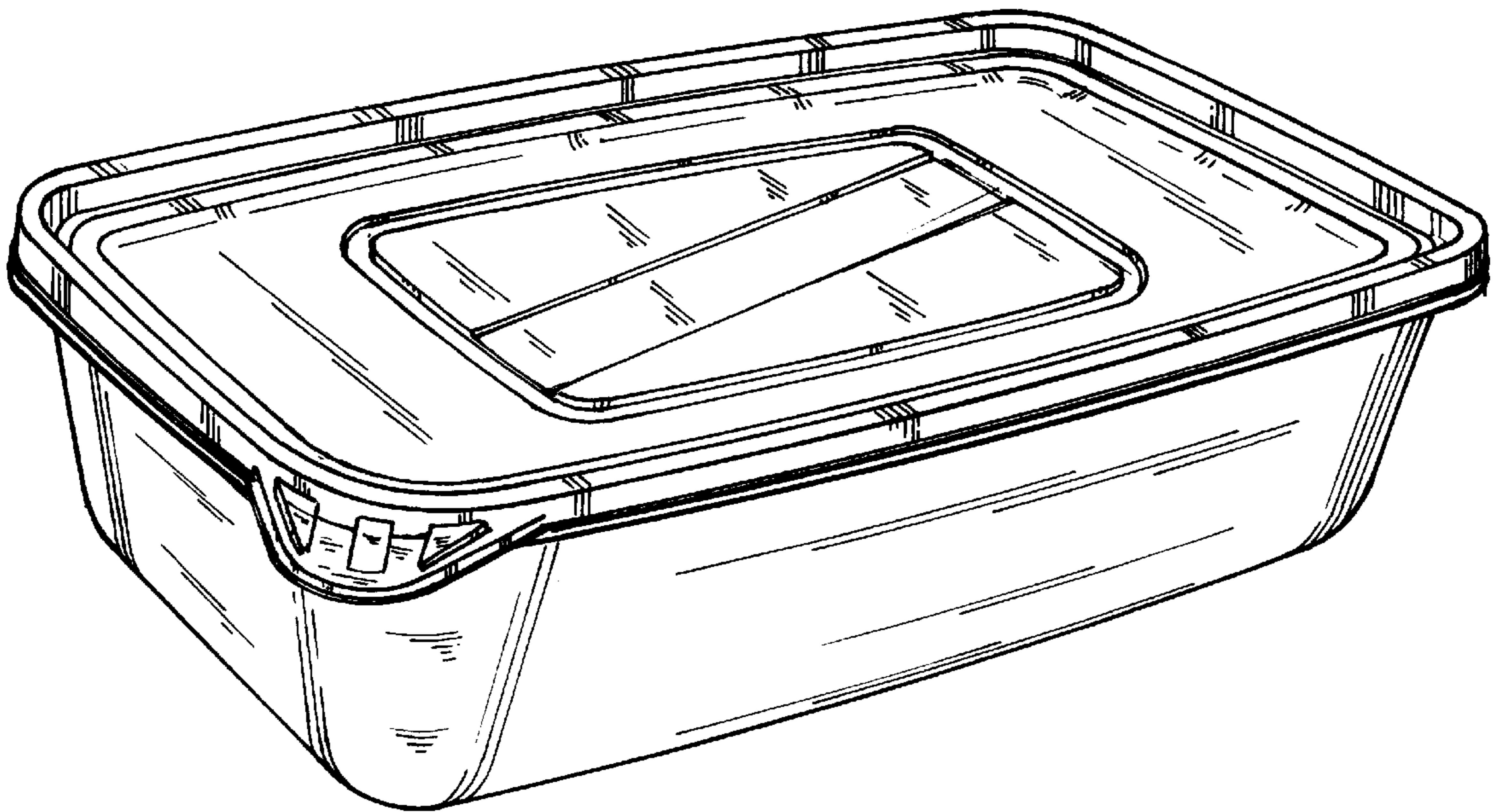


FIG. 1

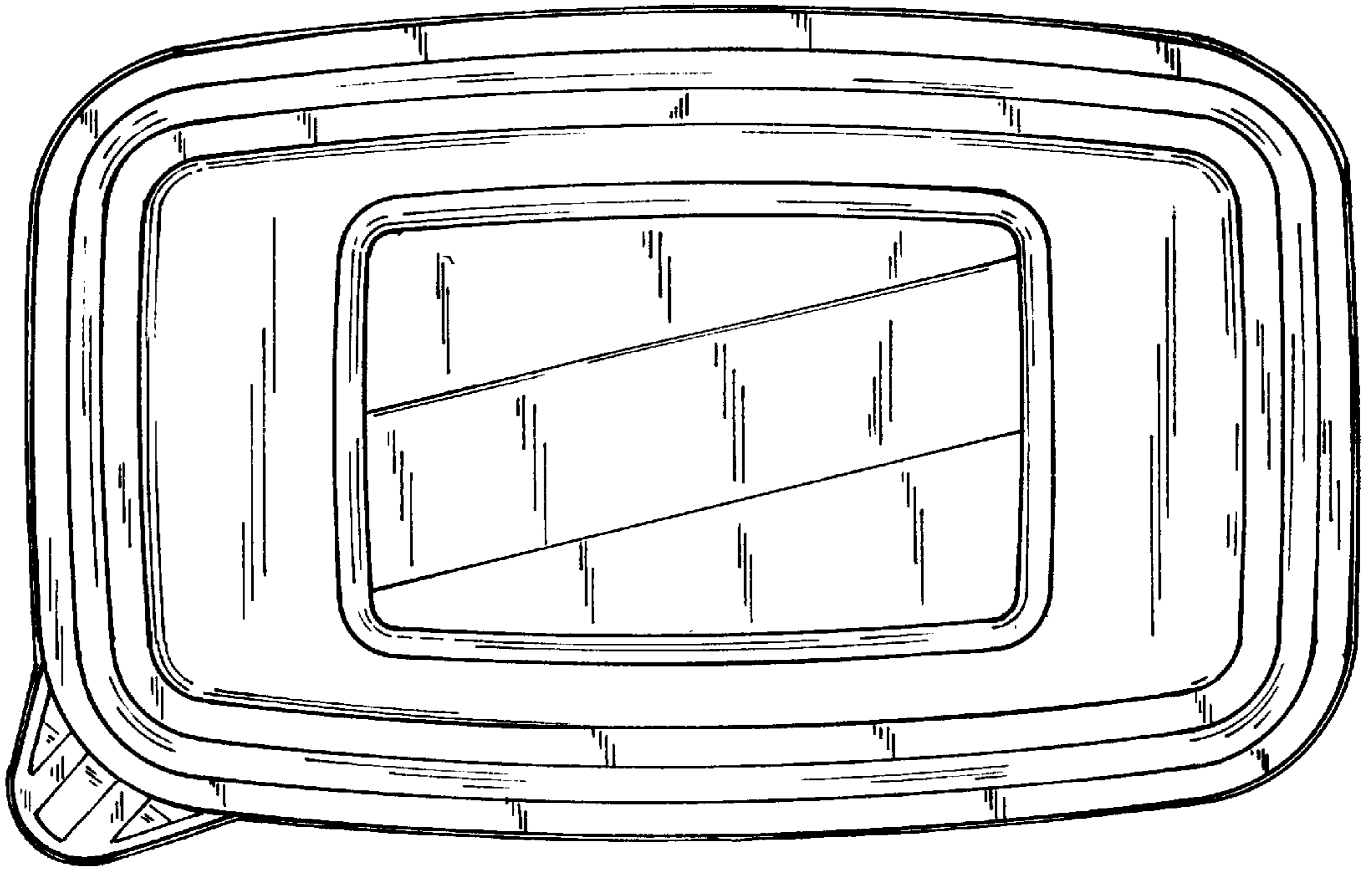


FIG. 2

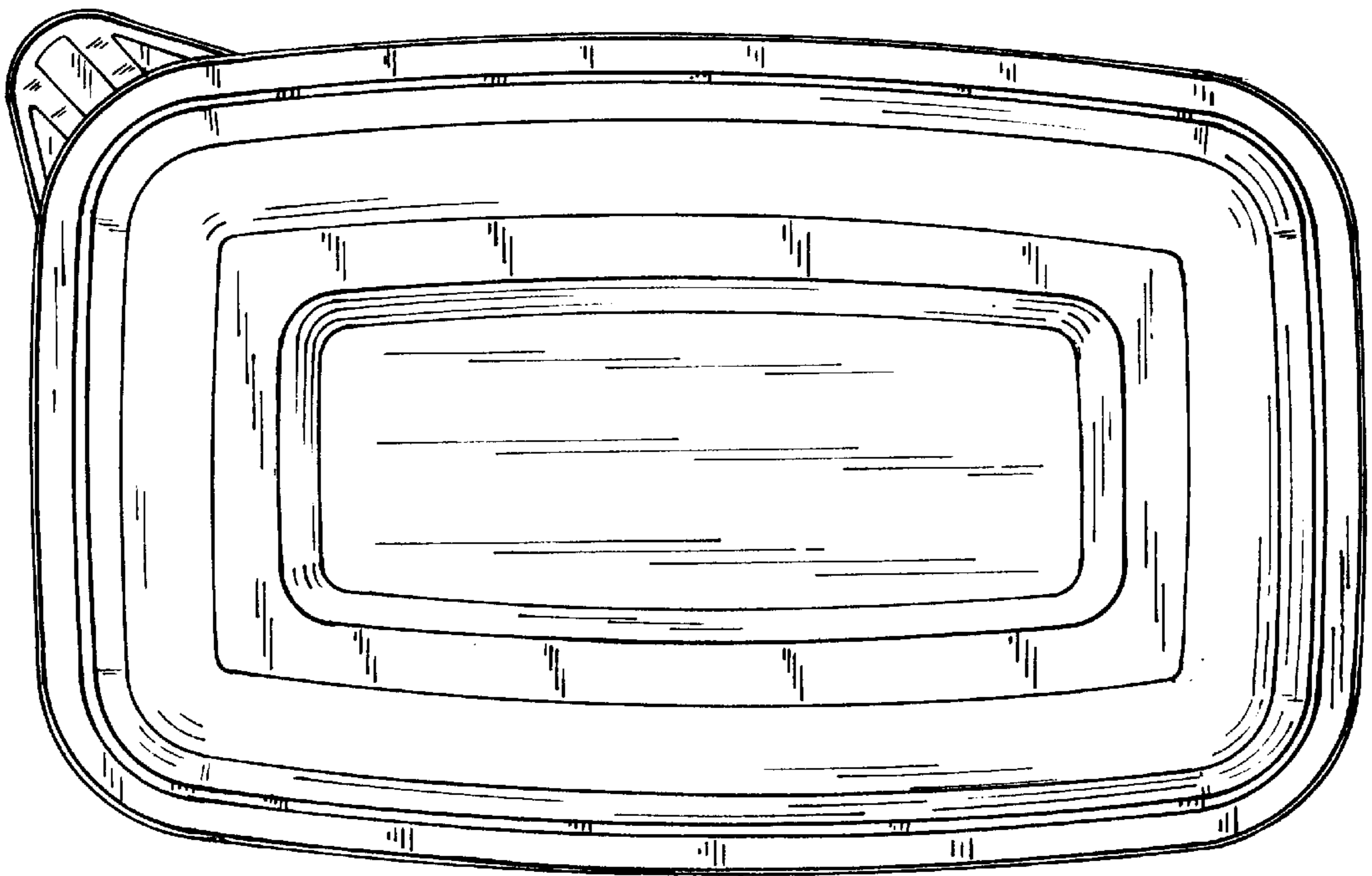


FIG. 3

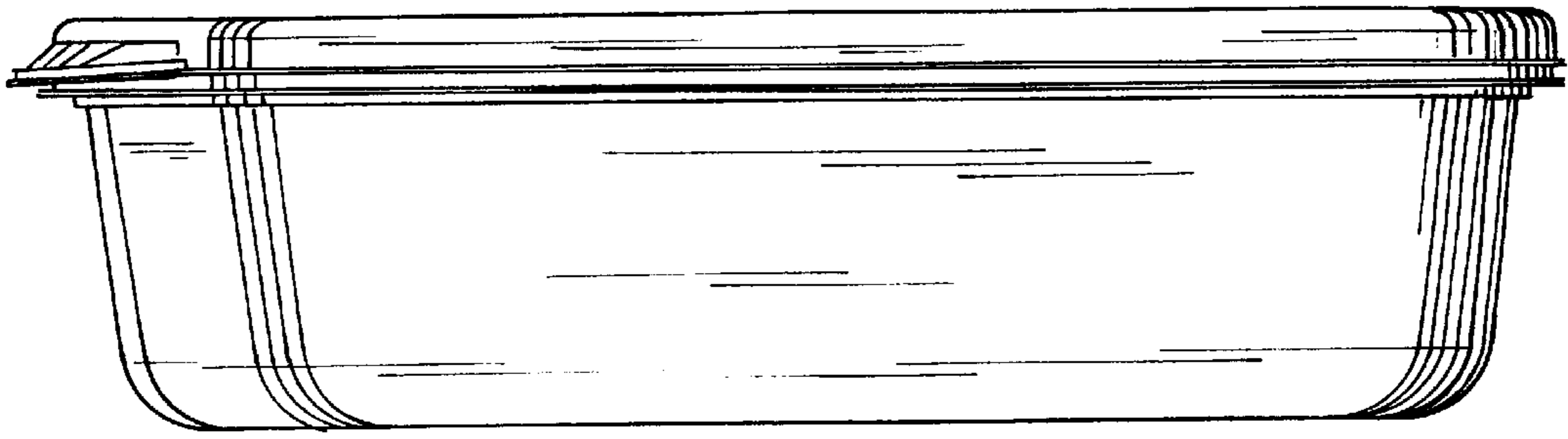


FIG. 4

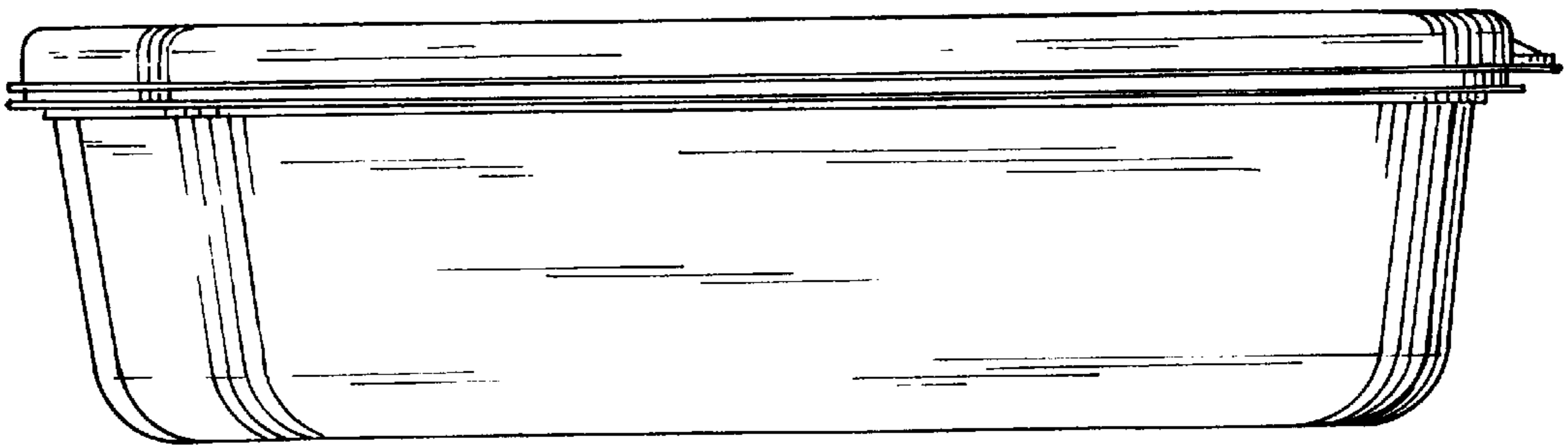


FIG. 5

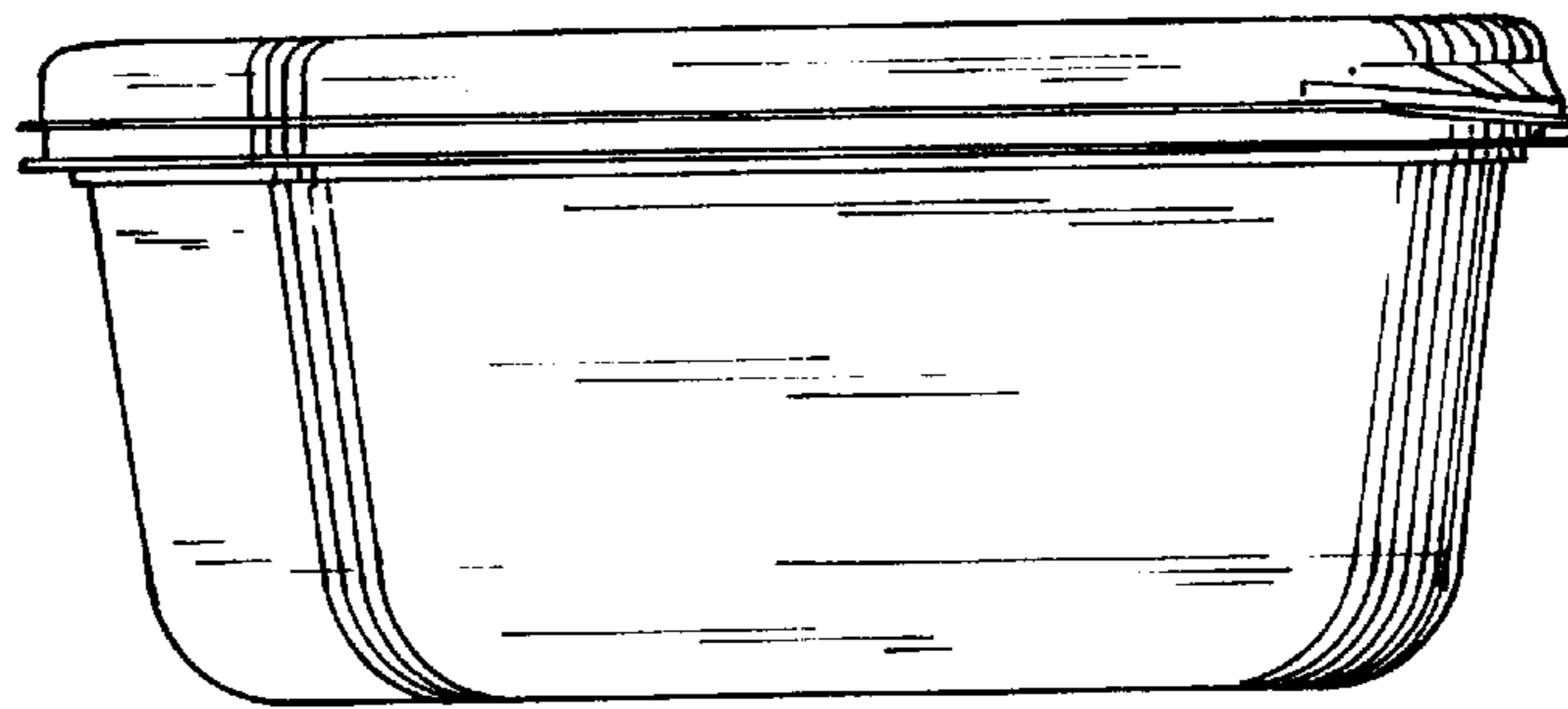


FIG. 6

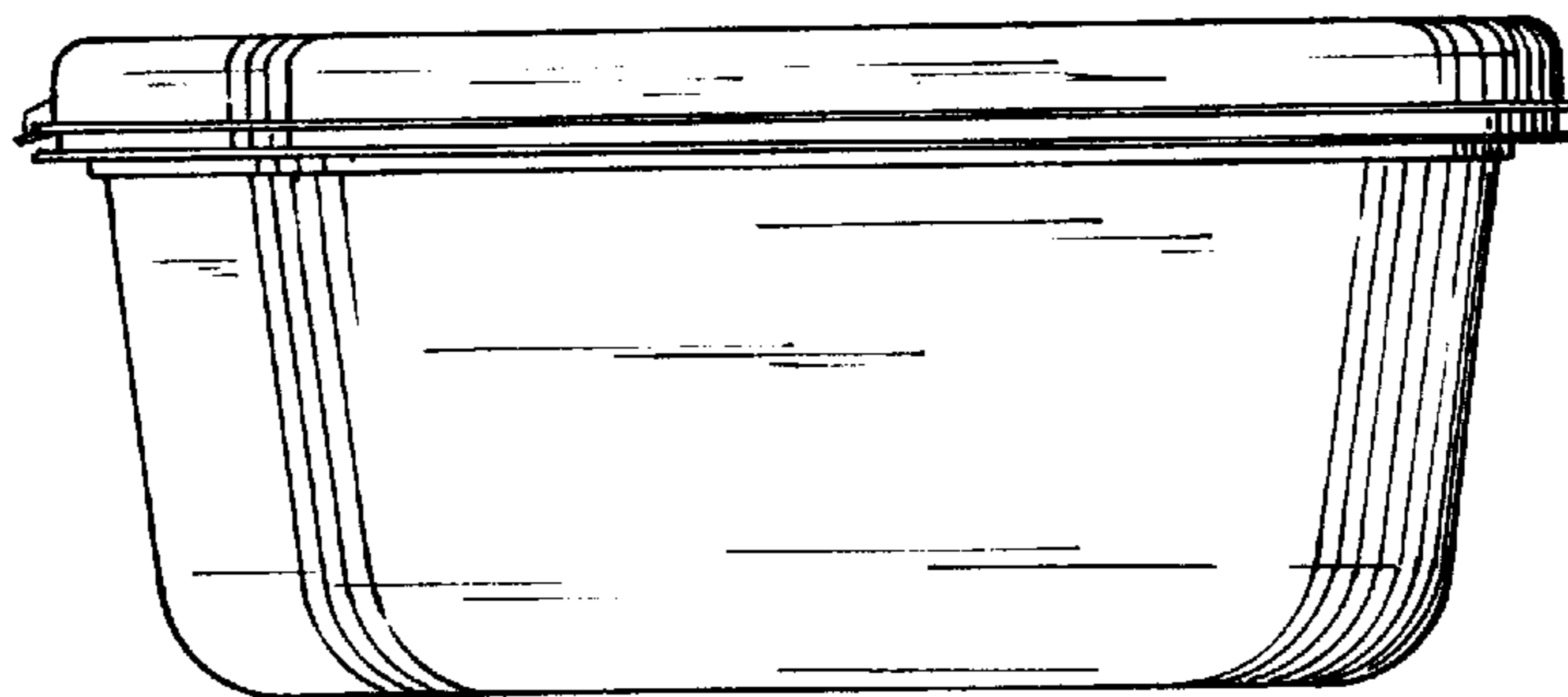


FIG. 7