



US00D428308S

United States Patent [19]

[11] Patent Number: Des. 428,308

Hartmann et al.

[45] Date of Patent: ** Jul. 18, 2000

[54] LIGHTED CUP HOLDER

[75] Inventors: Jerome J. Hartmann, Carlisle; Patrick L. Ohm, Norwalk, both of Iowa

[73] Assignee: Cobbs Manufacturing Company, Des Moines, Iowa

[**] Term: 14 Years

[21] Appl. No.: 29/107,884

[22] Filed: Jul. 15, 1999

[51] LOC (7) Cl. 07-06

[52] U.S. Cl. D7/619; D12/420

[58] Field of Search D7/619-625; D12/419, D12/420; 211/71.01, 74; 248/309.1, 311.2, 313; 362/101; 220/737, 738; 224/926, 42.43, 42.44, 539, 542

5,398,898	3/1995	Bever	248/154
5,533,700	7/1996	Porter	248/311.2
5,560,578	10/1996	Schenken et al.	248/313
5,573,214	11/1996	Jones et al.	248/311.2
5,601,269	2/1997	Jankovic	248/311.2
5,676,340	10/1997	Ruhnau	248/311.2

FOREIGN PATENT DOCUMENTS

538792 11/1931 Germany .

OTHER PUBLICATIONS

Cobbs Lifestyle Accessories, Marketing Brochure, Cobbs Manufacturing Company, 1996, pp. 8 and 9 describing adjustable drink holders.

Cobbs Lifestyle Accessories, Marketing Brochure, Cobbs Manufacturing Company, 1997, p. 7 describing adjustable drink holders.

Primary Examiner—Terry A. Wallace
Attorney, Agent, or Firm—Dick and Harris

[56] References Cited

U.S. PATENT DOCUMENTS

D. 35,245	10/1901	Hooper .	
D. 331,175	11/1992	Jones et al.	D7/620
D. 407,951	4/1999	Philipson et al.	D7/619
711,970	10/1902	Hooper .	
2,215,411	9/1940	Sebring	248/313
3,491,976	1/1970	Larson	248/346.1
4,799,638	1/1989	Allen	248/311.2
4,948,080	8/1990	Jack	248/311.2
4,969,618	11/1990	Thompson	248/152
5,014,956	5/1991	Kayali	248/311.2
5,135,195	8/1992	Dane	248/311.2
5,149,032	9/1992	Jones et al.	248/154
5,154,380	10/1992	Risca	248/154
5,203,531	4/1993	Gracon	248/311.3

[57] CLAIM

The ornamental design for a lighted cup holder, as shown and described.

DESCRIPTION

FIG. 1 is a top plan view of the lighted cup holder showing a new ornamental design therefor;
FIG. 2 is a bottom plan view thereof;
FIG. 3 is a front elevational view thereof;
FIG. 4 is a rear elevational view thereof;
FIG. 5 is a left side elevational view thereof; and,
FIG. 6 is a right side elevational view thereof.

1 Claim, 3 Drawing Sheets

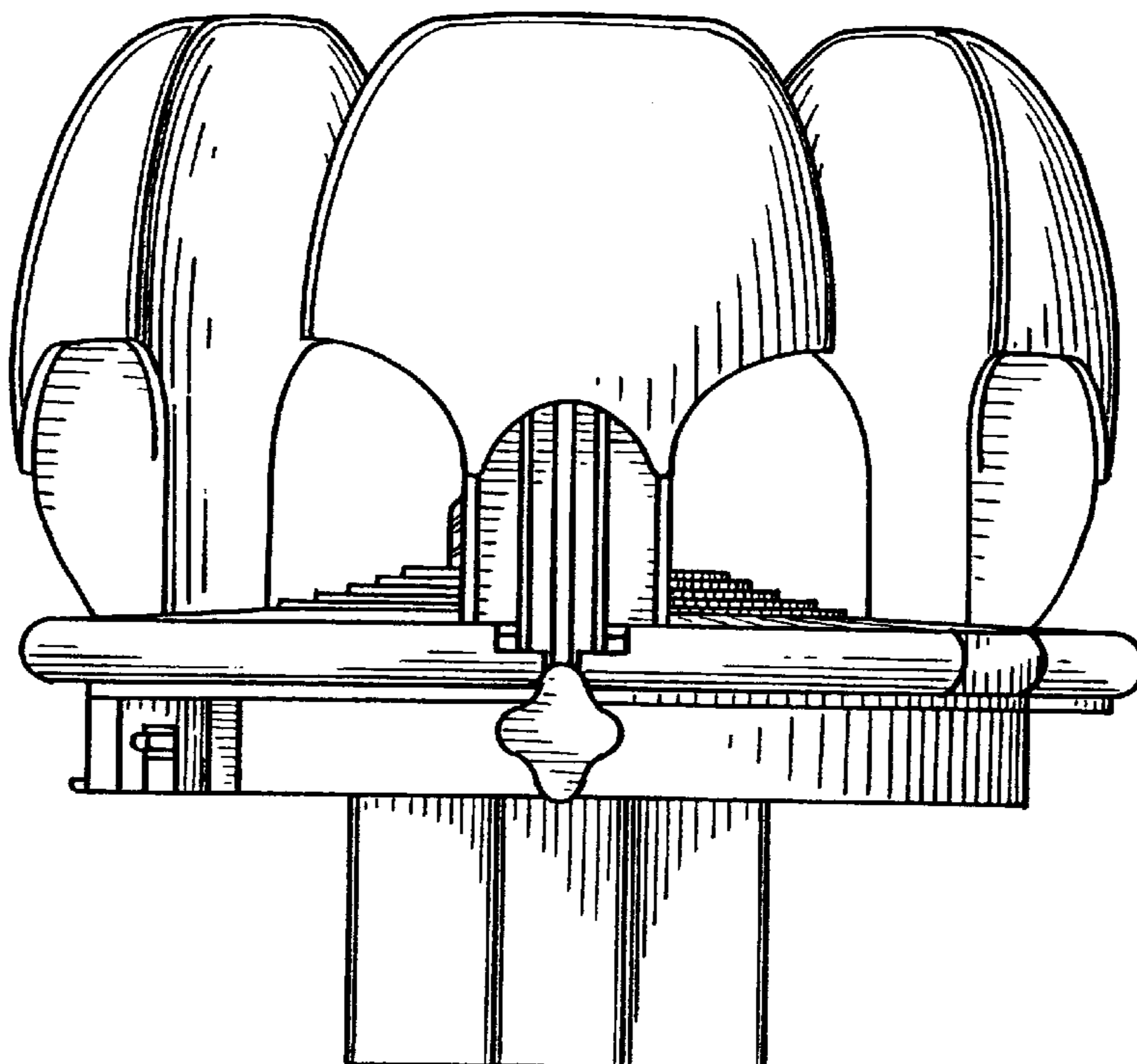


Fig 1

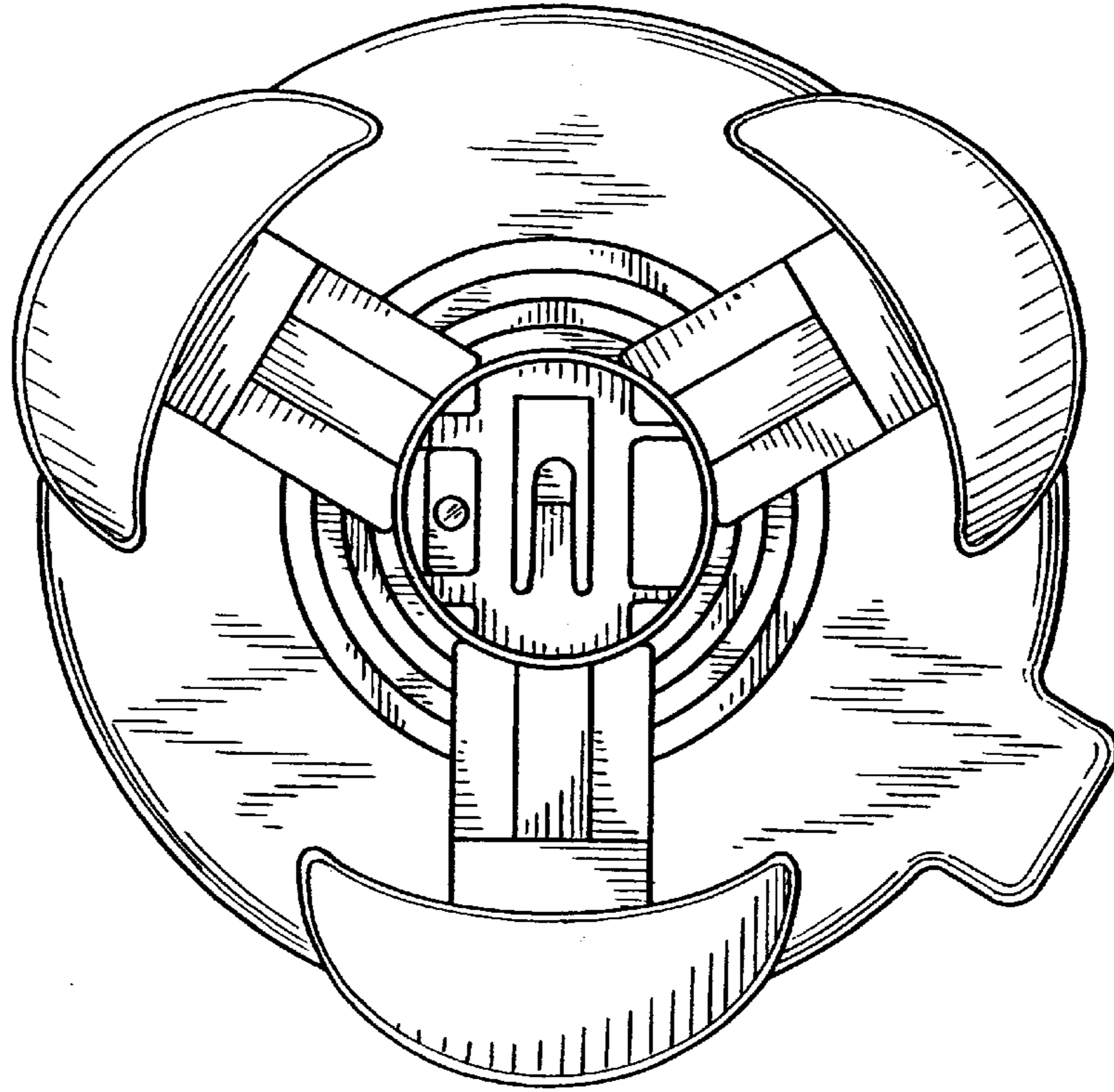


Fig 2

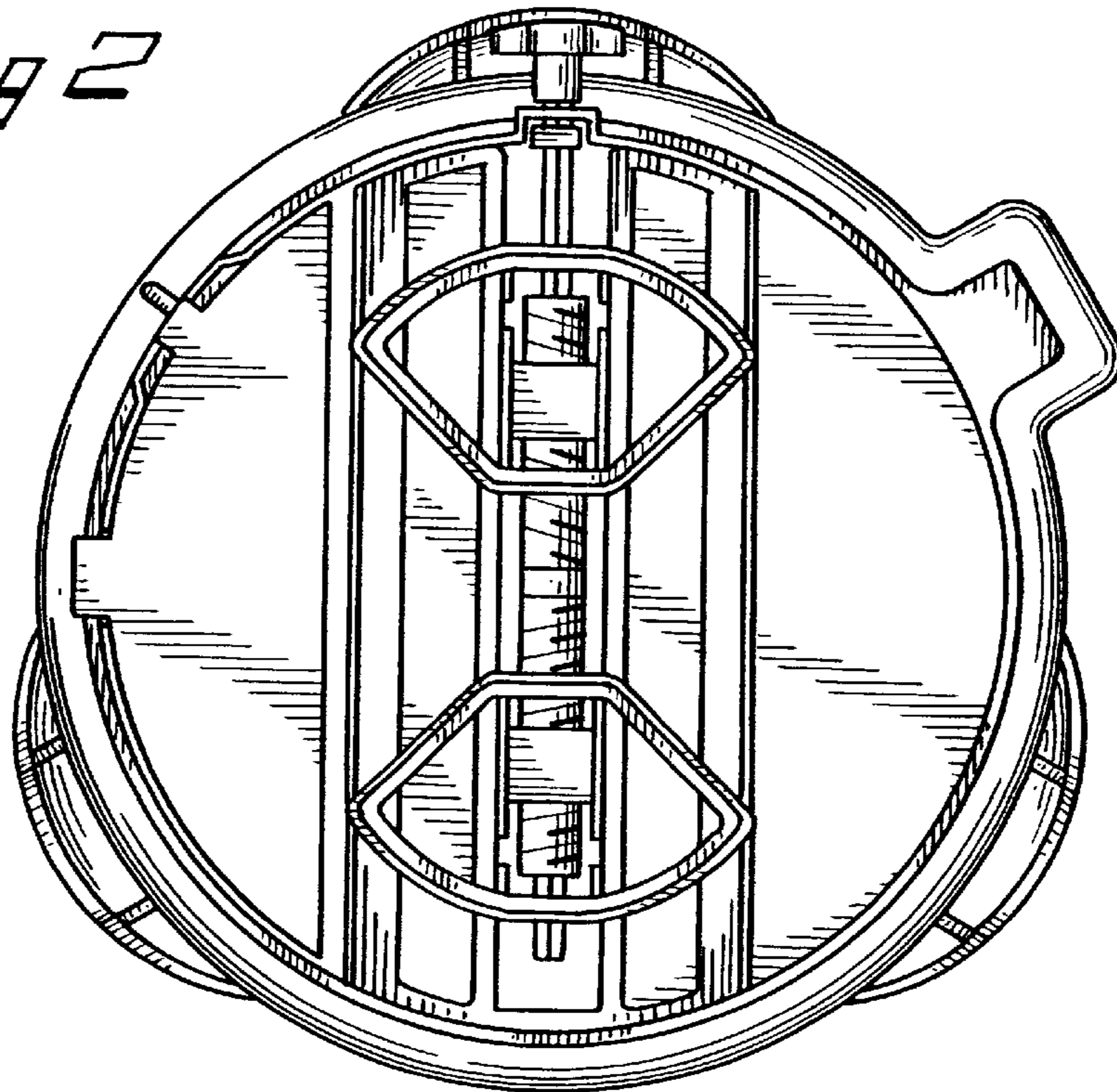


Fig 3

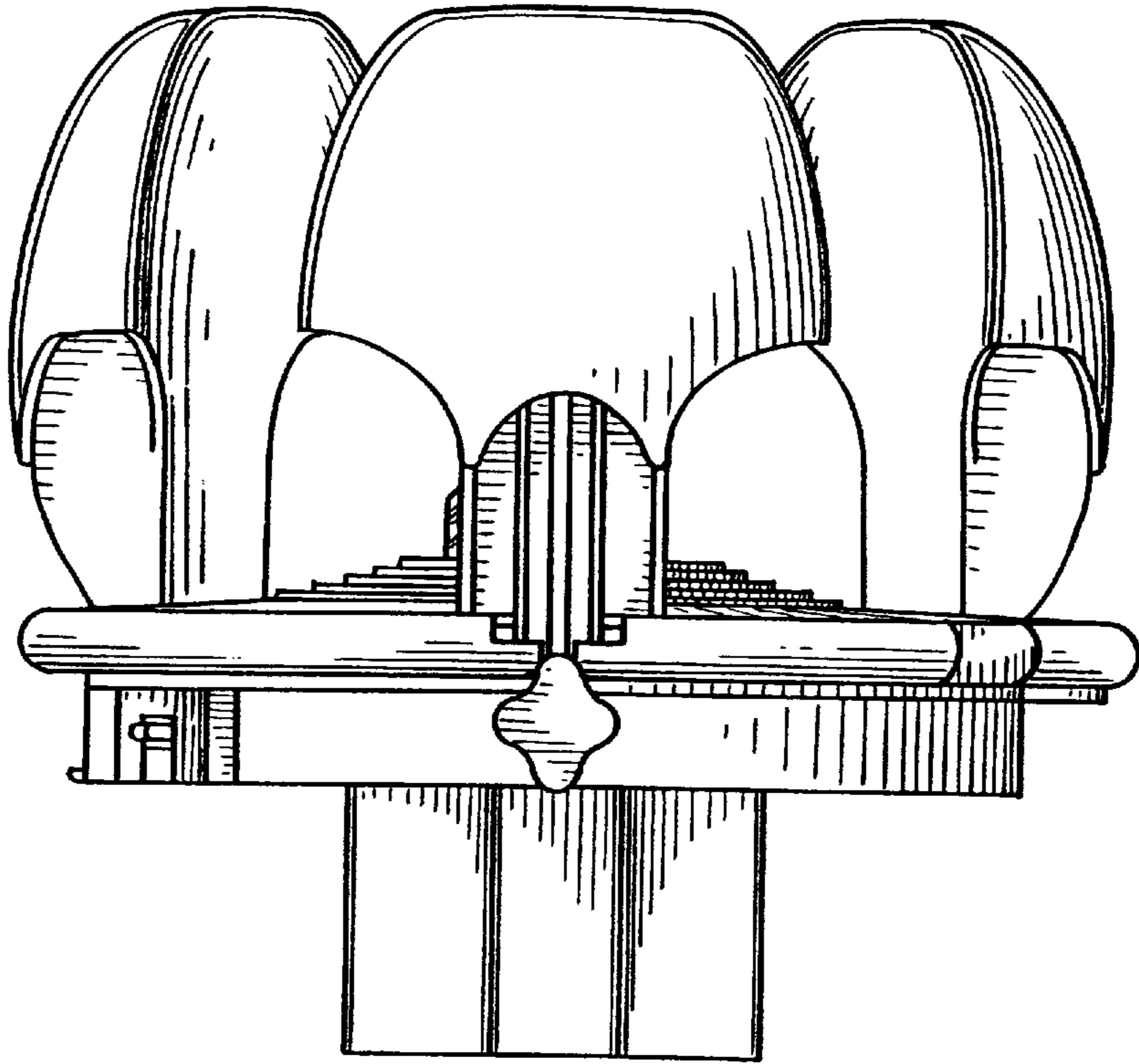


Fig 4

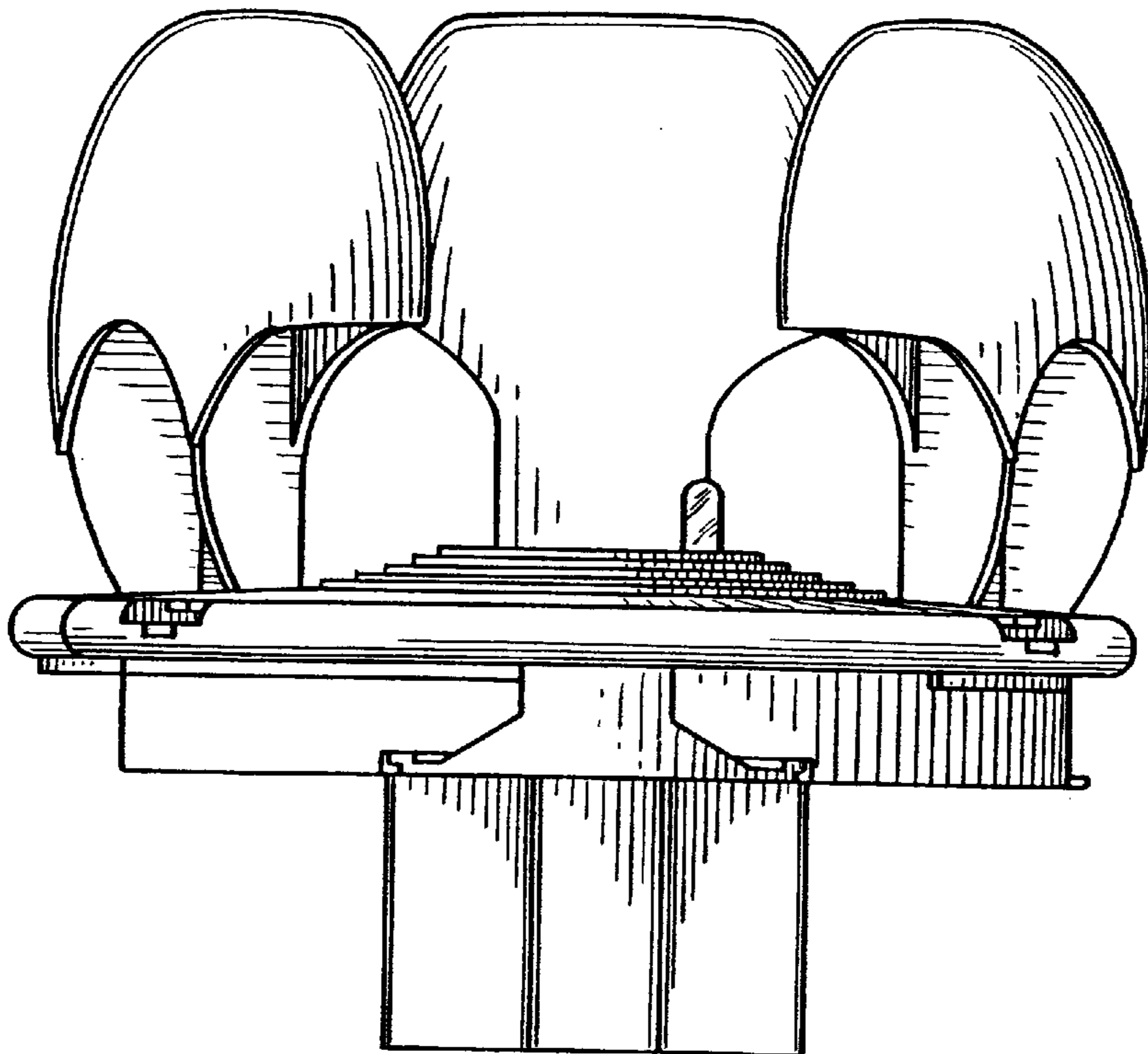


Fig 5

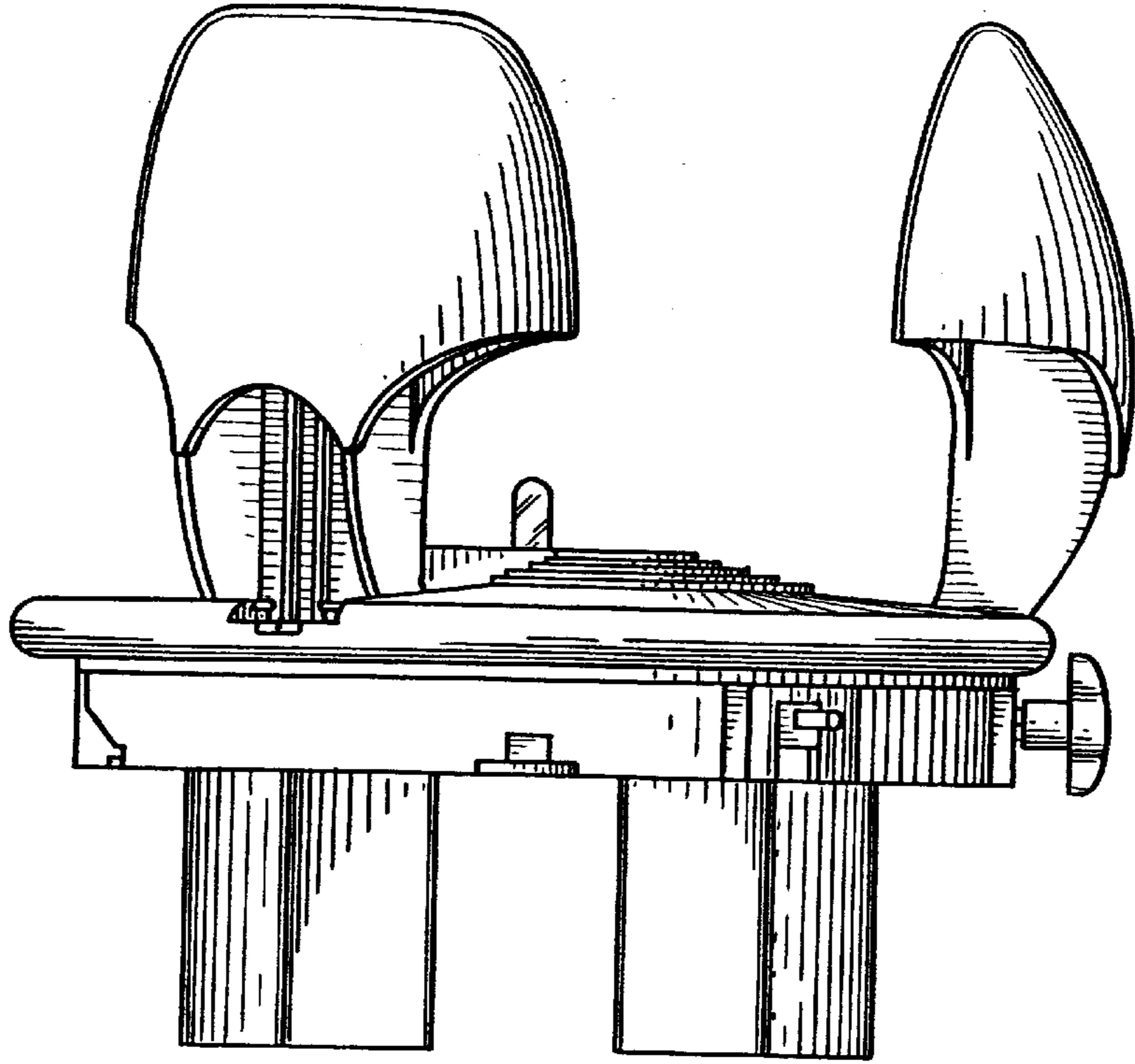


Fig 6

