



US00D428305S

# United States Patent [19]

Berkes

[11] Patent Number: **Des. 428,305**

[45] Date of Patent: **\*\* Jul. 18, 2000**

[54] **GRILL GRATE**

3,509,814 5/1970 Karapetian ..... 99/445

[76] Inventor: **Ronald J. Berkes**, 4004 Cook Rd.,  
Medina, Ohio 44256

*Primary Examiner*—Caron D. Veynar  
*Attorney, Agent, or Firm*—Fay, Sharpe, Fagan, Minnich &  
McKee LLP

[\*\*] Term: **14 Years**

### [57] CLAIM

[21] Appl. No.: **29/101,975**

The ornamental design for a grill grate, as shown and described.

[22] Filed: **Mar. 11, 1999**

### DESCRIPTION

[51] **LOC (7) Cl.** ..... **07-02**

[52] **U.S. Cl.** ..... **D7/409**

[58] **Field of Search** ..... D7/359, 409, 545;  
99/422, 425, 444, 445, 446; 126/1 R, 24,  
25 R, 29

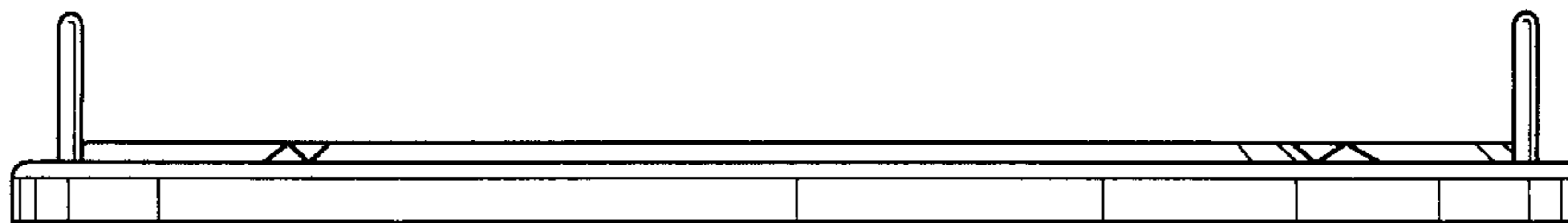
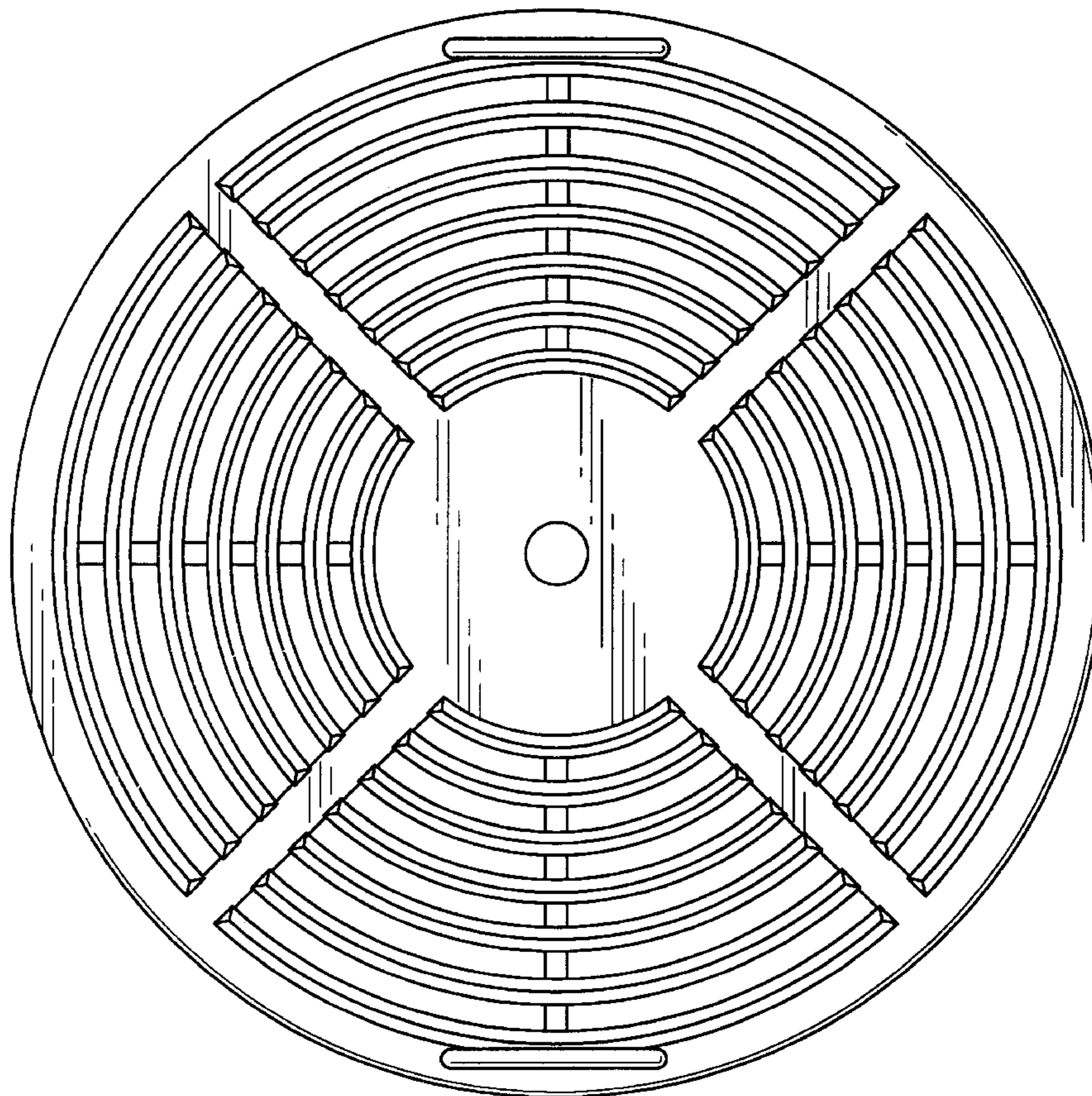
FIG. 1 is a top plan view of a grill grate showing my new ornamental design;  
FIG. 2 is a front elevational view, the rear elevation view is identical;  
FIG. 3 is a bottom plan view of the grill grate shown in FIG. 1; and,  
FIG. 4 is a side view of the grill grate taken from the right of FIG. 1, the left side elevation view is identical.

### [56] References Cited

#### U.S. PATENT DOCUMENTS

- D. 252,008 6/1979 Jeambey ..... D7/359
- D. 335,795 5/1993 Conti ..... D7/545
- 472,537 4/1892 Griswold et al. .... 99/445

**1 Claim, 2 Drawing Sheets**



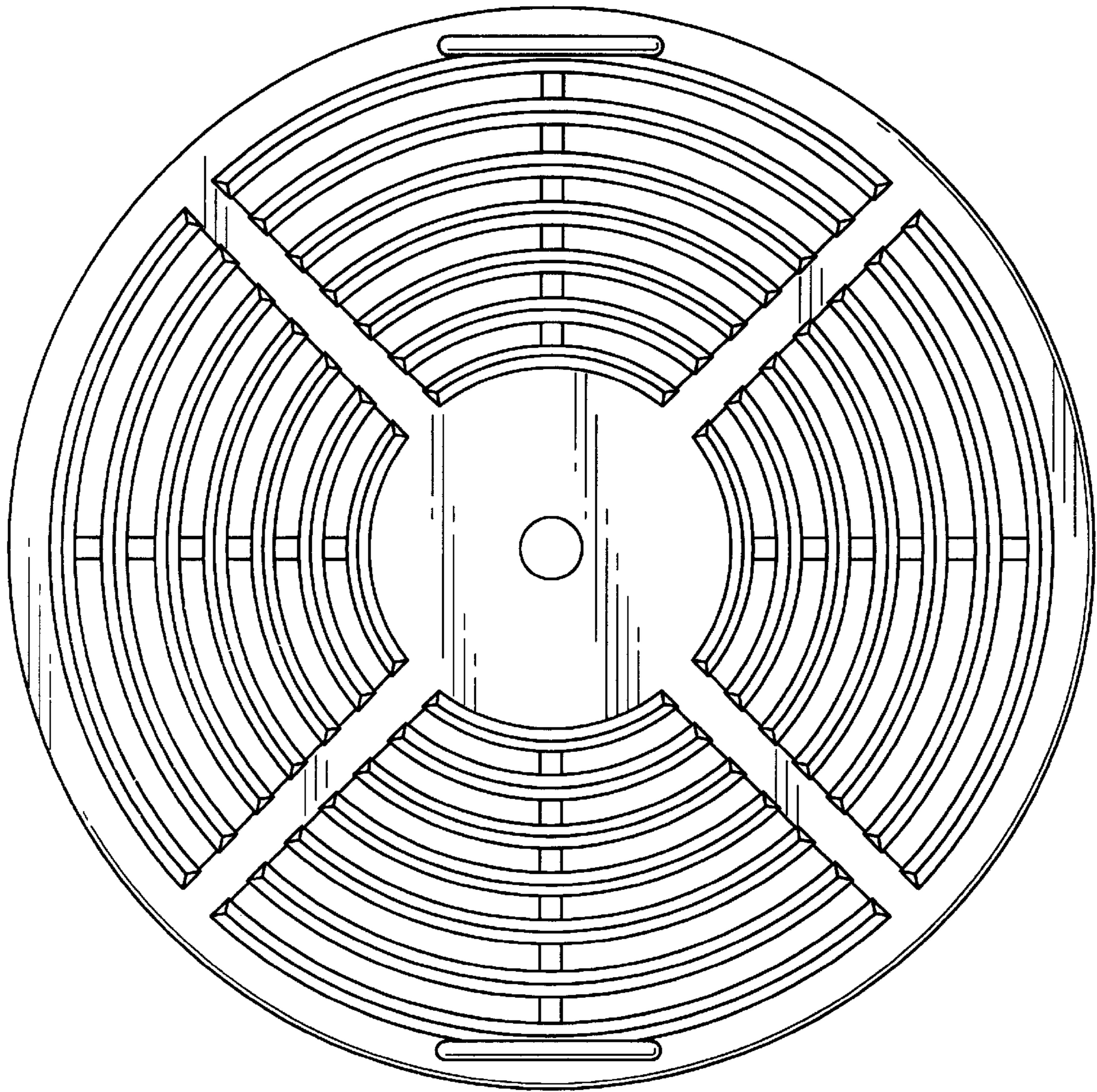


FIG. 1

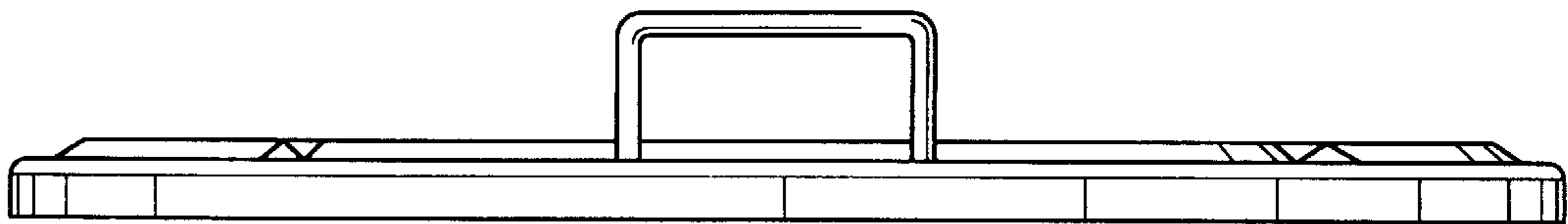


FIG. 2

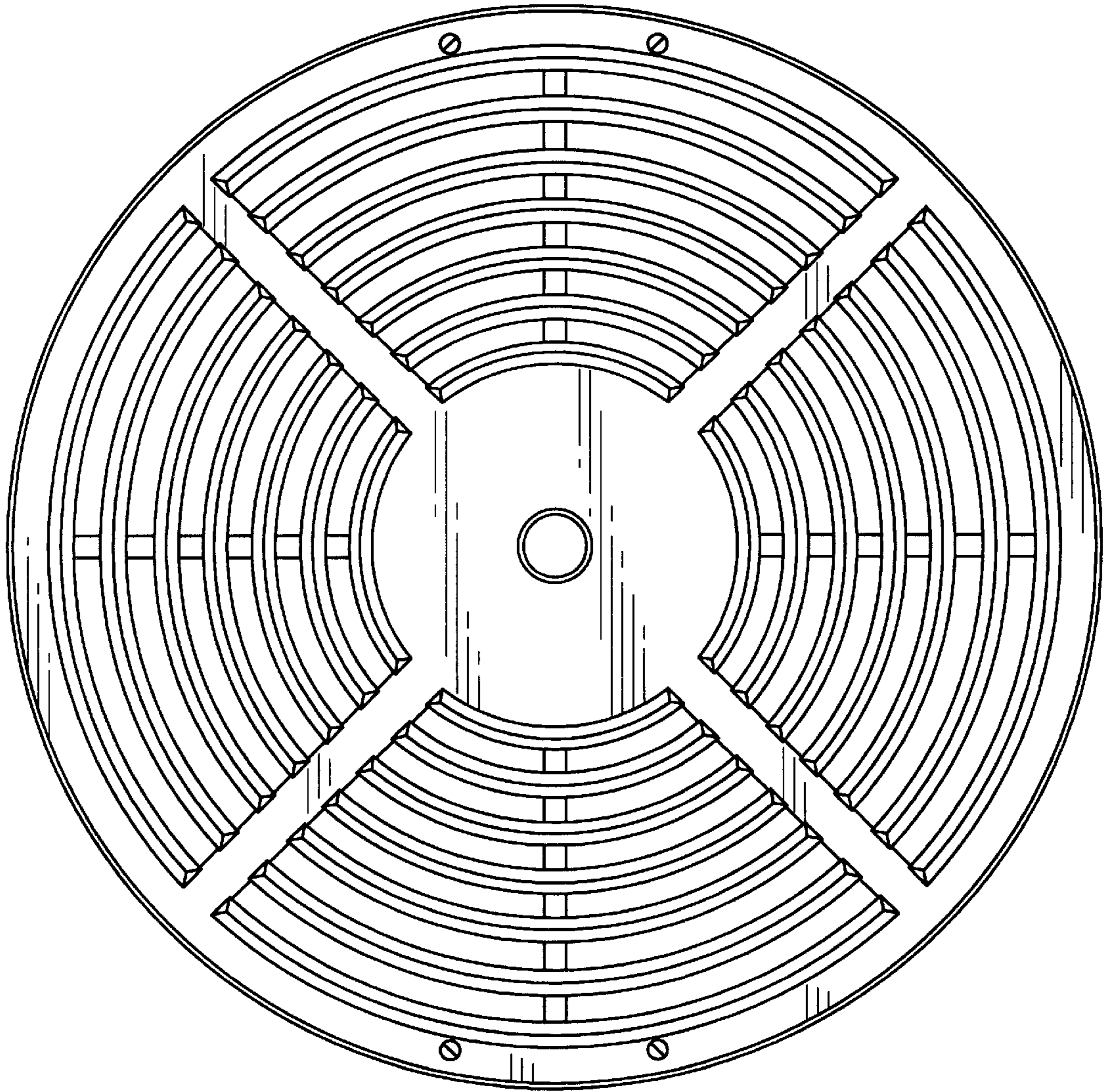


FIG.3

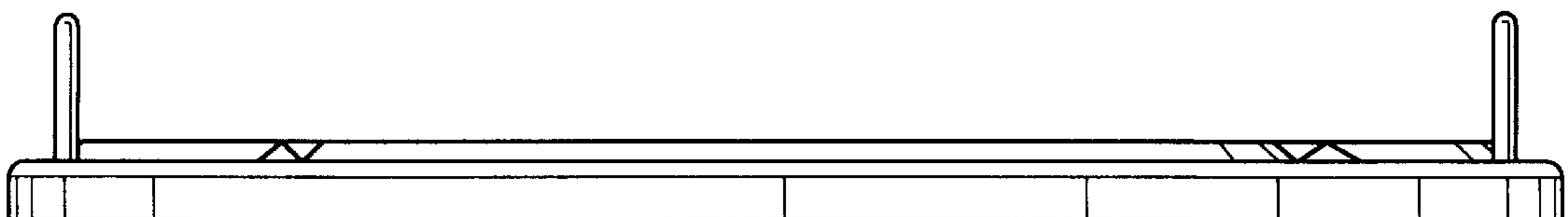


FIG.4