



US00D428303S

# United States Patent [19]

Wagner et al.

[11] Patent Number: **Des. 428,303**

[45] Date of Patent: **\*\* Jul. 18, 2000**

[54] **WIDE BODY CART FOR BARBECUE GRILL**

[75] Inventors: **Wesley J. Wagner**, Columbus; **Brian Coleman**, Midland, both of Ga.

[73] Assignee: **W. C. Bradley Company**, Columbus, Ga.

[\*\*] Term: **14 Years**

[21] Appl. No.: **29/092,295**

[22] Filed: **Aug. 14, 1998**

[51] **LOC (7) Cl.** ..... **07-02**

[52] **U.S. Cl.** ..... **D7/403**

[58] **Field of Search** ..... D7/332-338, 402-404; 126/275 R, 275 E, 19 M, 19 R, 21 A, 25 R, 25 A, 25 AA, 29-30, 9 R, 9 A, 9 B, 39 R, 41 R, 40, 50, 39 B; 219/10.55 R, 10.55 A, 10.55 B, 10.55 C, 403, 386; 99/340-341, 419, 421 R, 421 H, 446, 450; 248/129, 188

[56] **References Cited**

**U.S. PATENT DOCUMENTS**

- D. 322,909 1/1992 Parent et al. .... D7/334
- D. 324,622 3/1992 Baynes et al. .... D7/334

- D. 395,378 6/1998 Schlosser et al. .... D7/403
- D. 404,963 2/1999 Schlosser et al. .... D7/334
- 4,718,399 1/1988 Shepherd ..... 126/25 R
- 5,623,866 4/1997 Home ..... 99/444
- 5,791,331 8/1998 Stewart ..... 126/41 R
- 5,941,229 8/1999 Schlosser et al. .... 126/41 R

*Primary Examiner*—Ruth McInroy  
*Attorney, Agent, or Firm*—James W. Kayden; Thomas, Kayden, Horstemeyer & Risley

[57] **CLAIM**

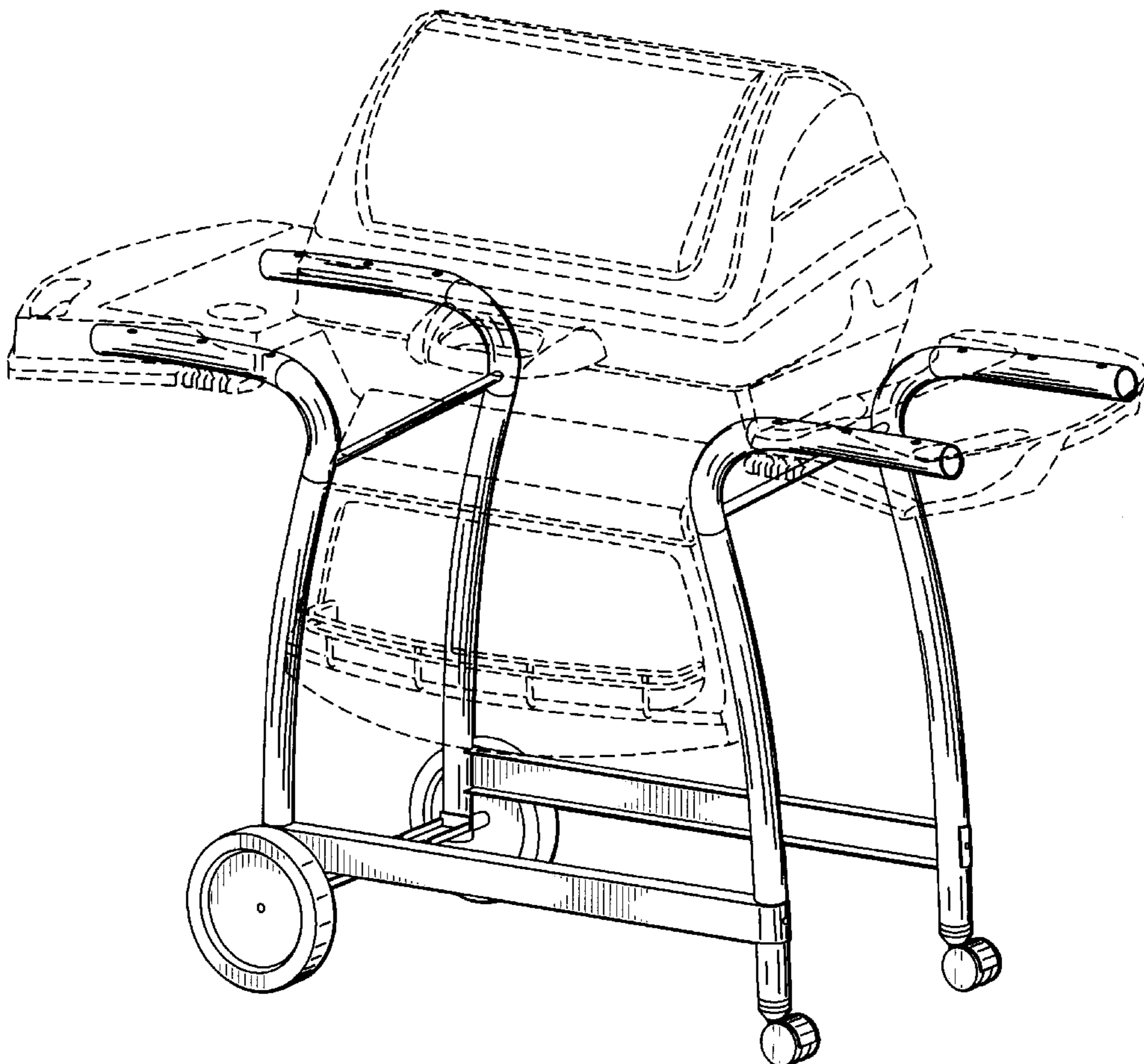
The ornamental design of a wide body cart for barbecue grill, as shown and described.

**DESCRIPTION**

FIG. 1 is a perspective view of a wide body cart for barbecue grill showing our new design; FIG. 2 is a front elevational view thereof; FIG. 3 is a rear elevational view thereof; FIG. 4 is a right side elevational view thereof; FIG. 5 is a left side elevational view thereof; FIG. 6 is a top plan view thereof; and, FIG. 7 is a bottom plan view thereof.

The details shown in broken lines in FIG. 1 are for illustrative purposes only and form no part of the claimed design.

**1 Claim, 5 Drawing Sheets**



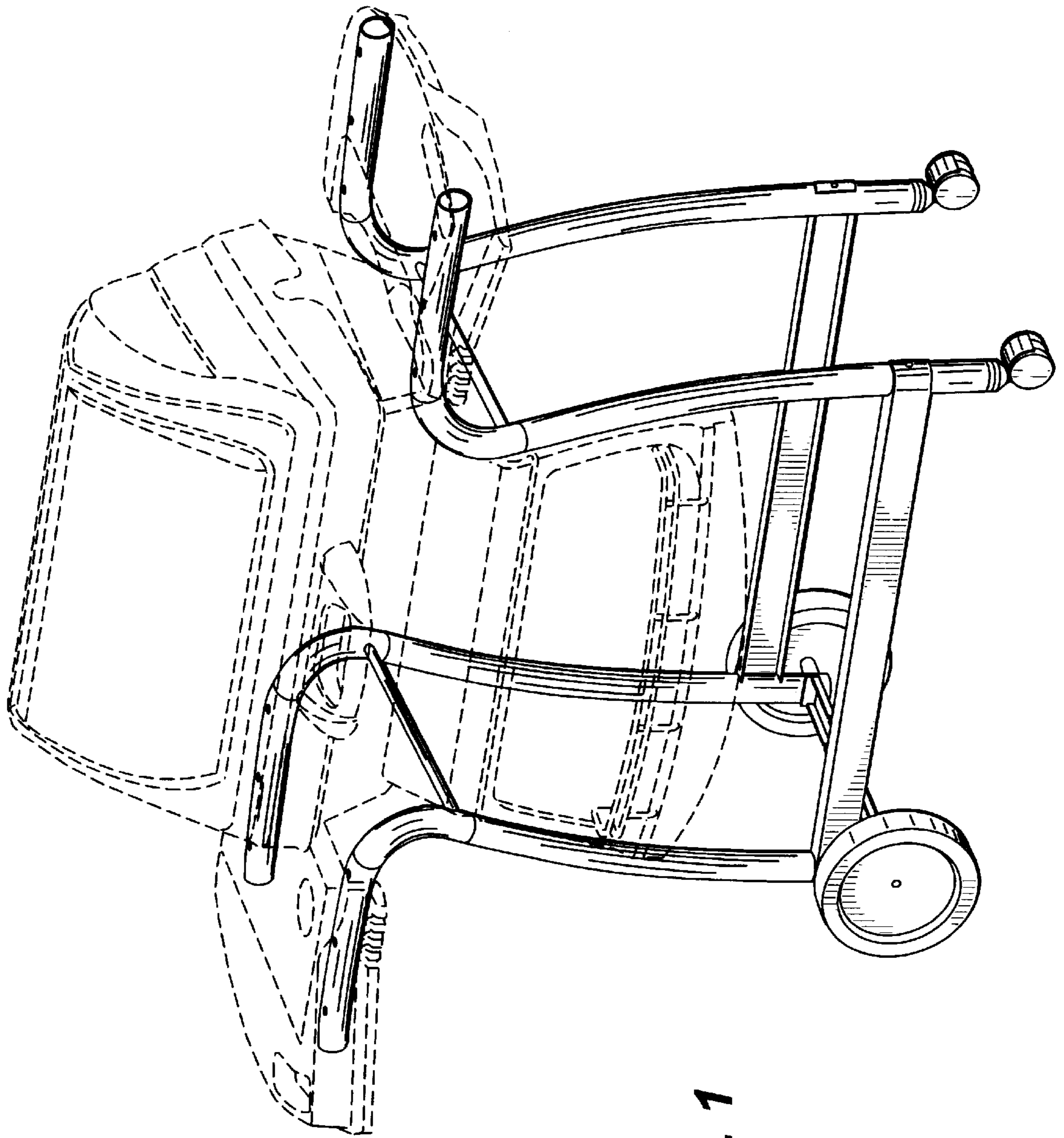
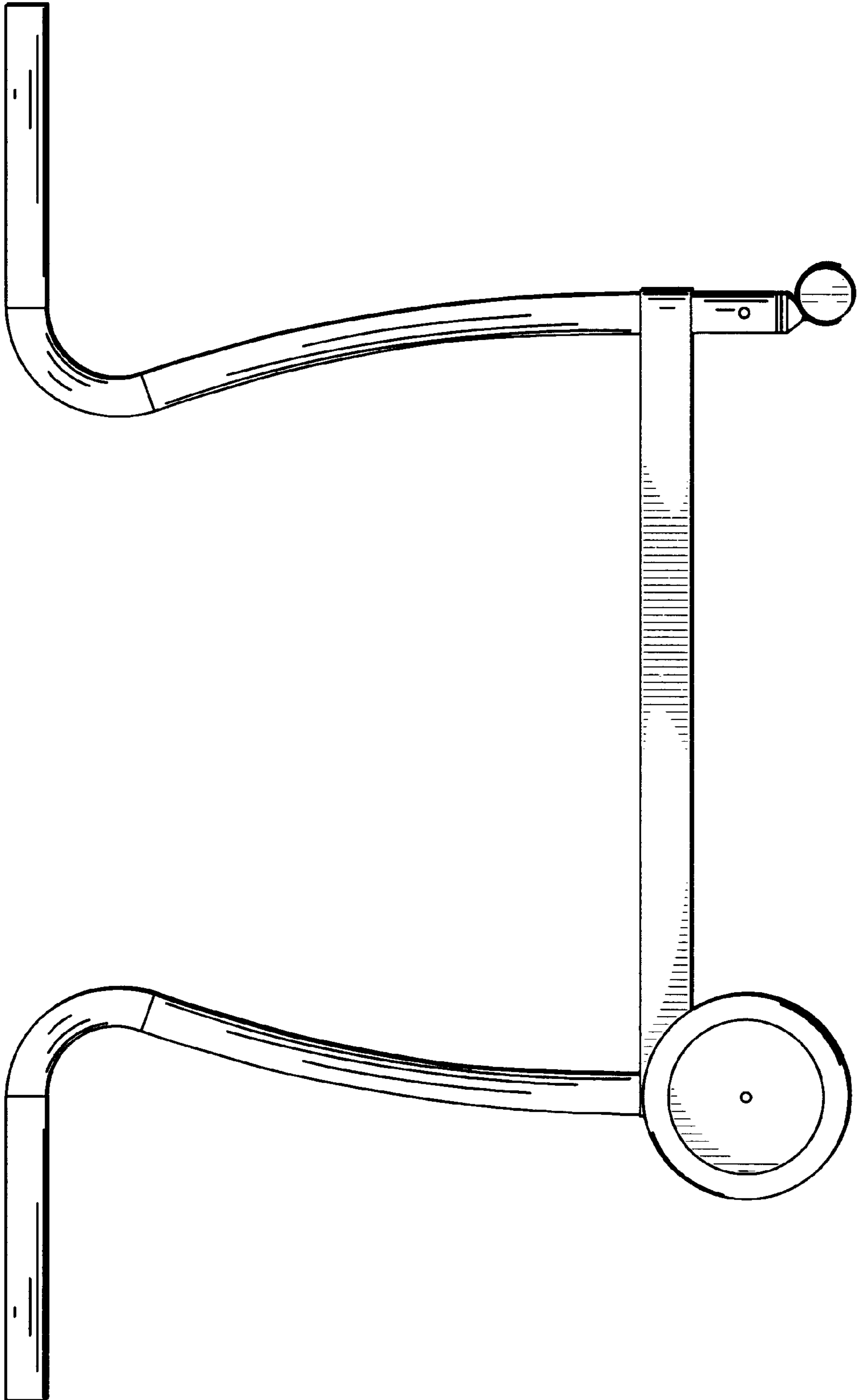
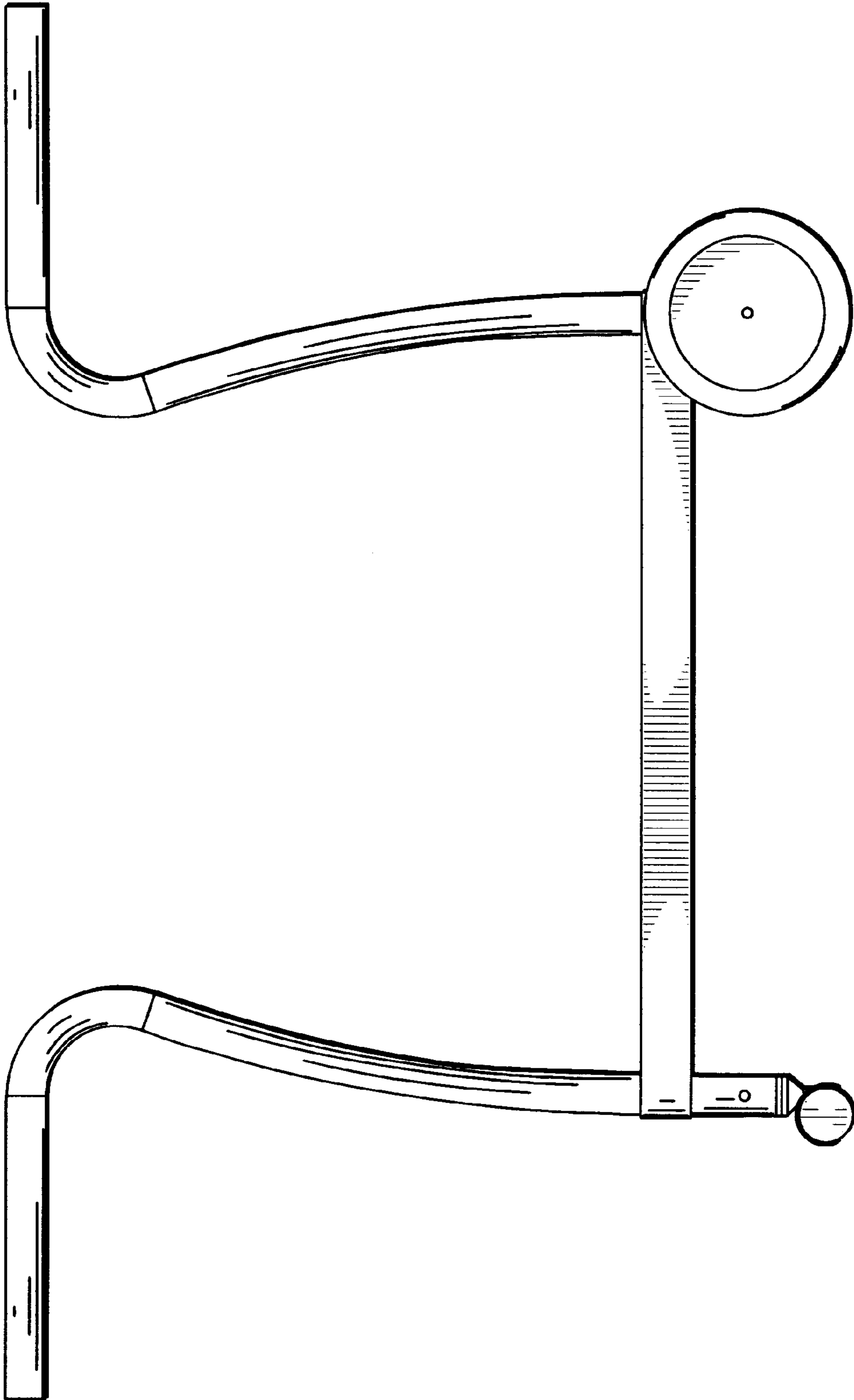


FIG. 1

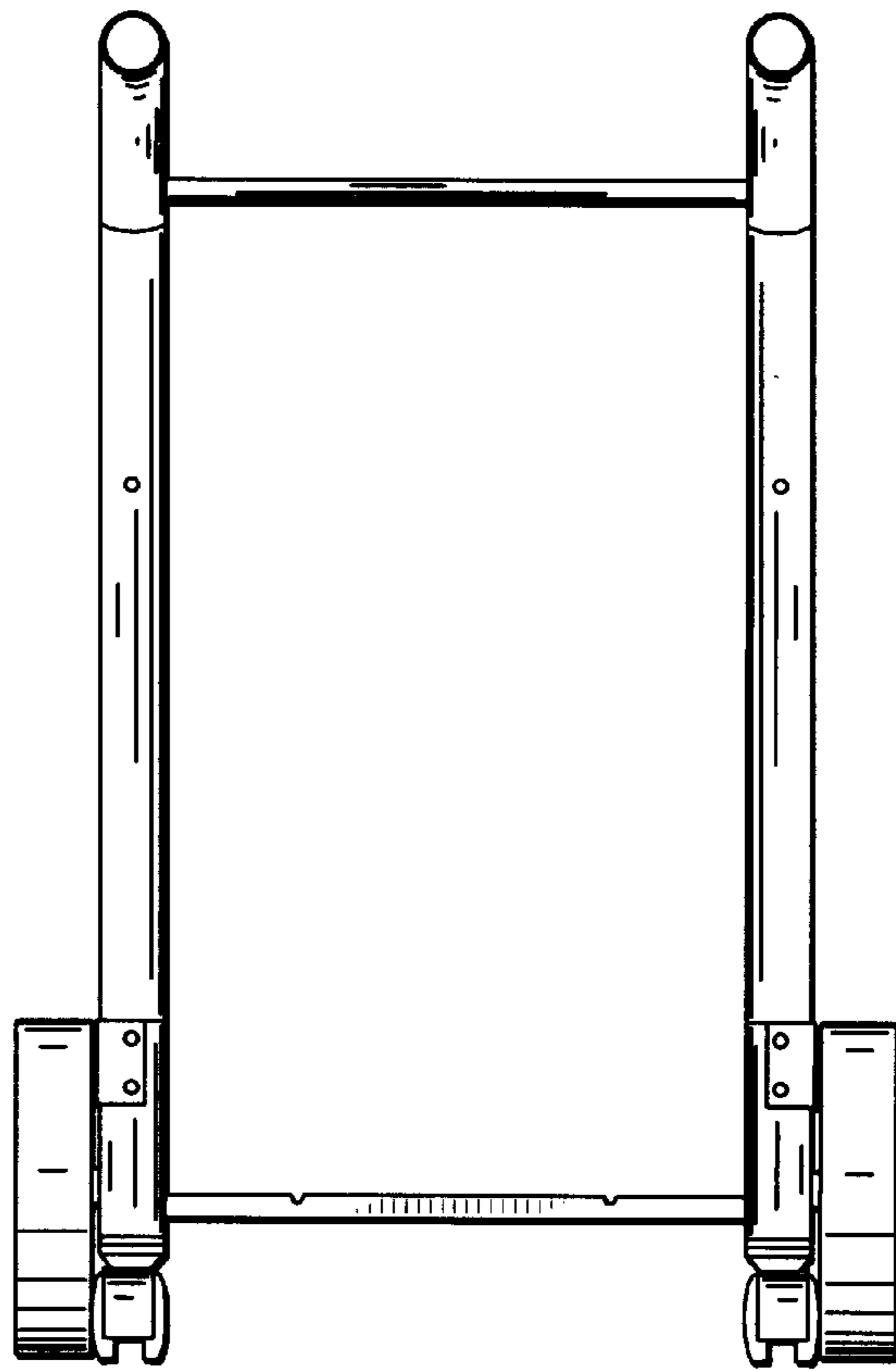


**FIG. 2**

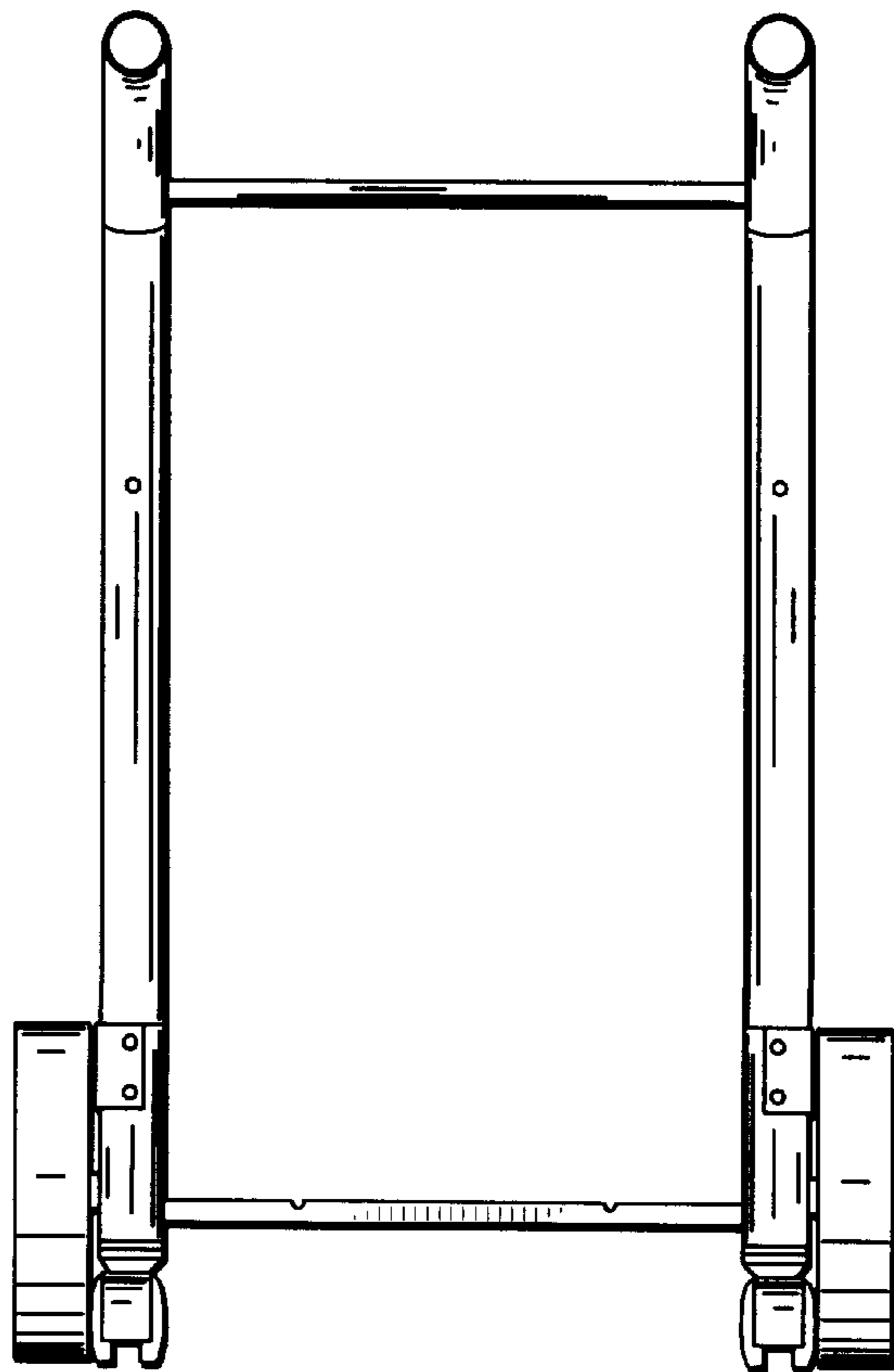


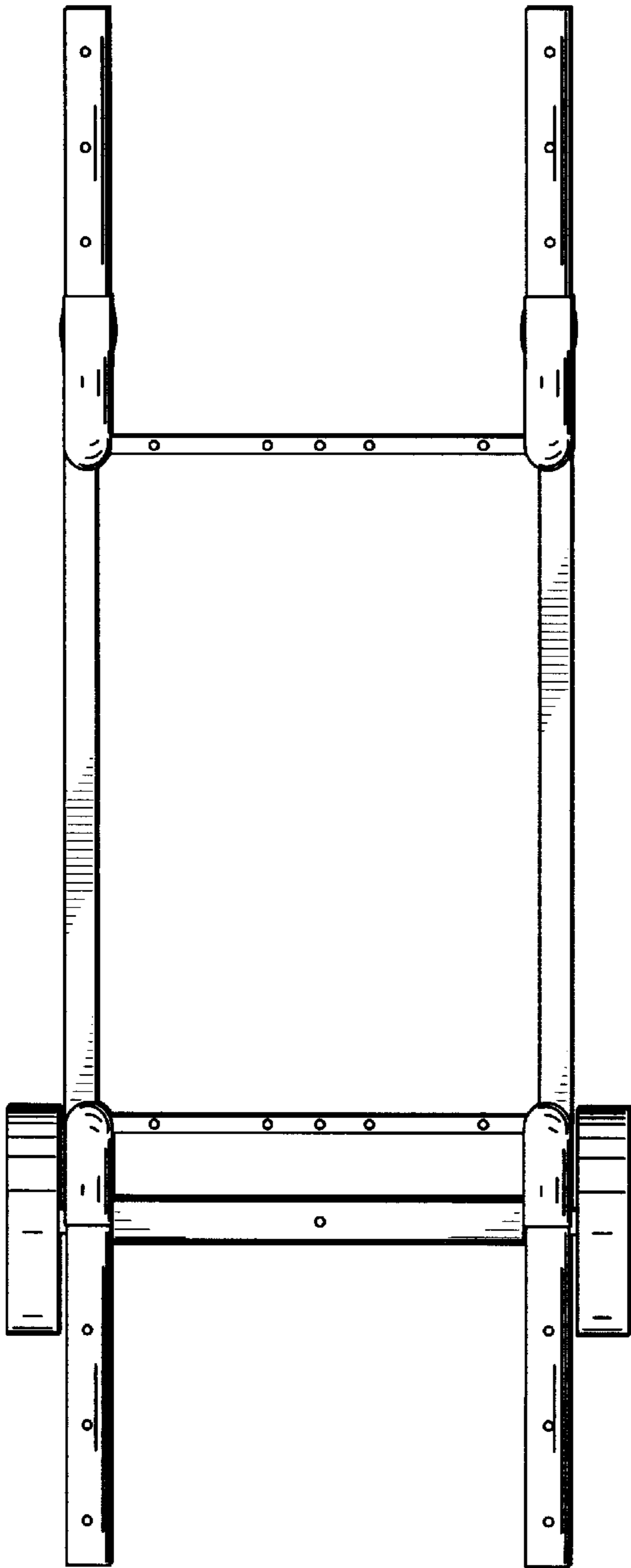
**FIG. 3**

**FIG. 4**

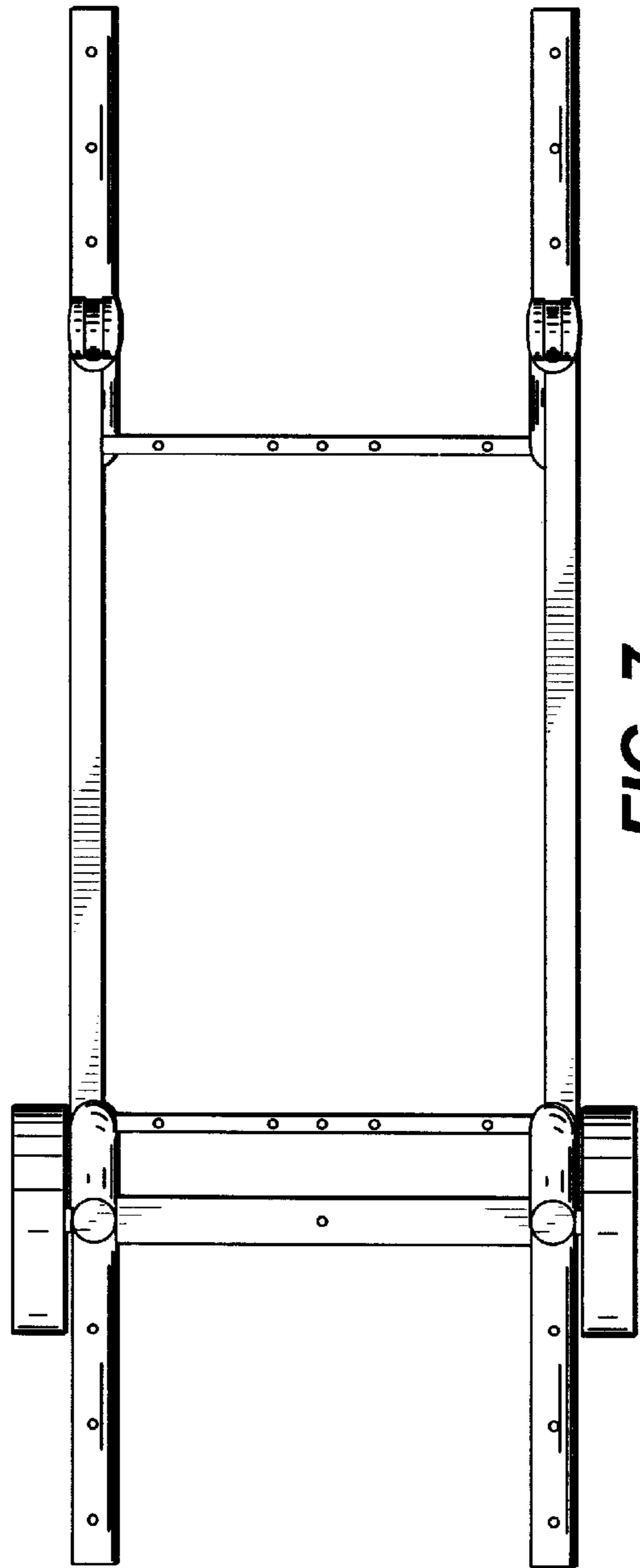


**FIG. 5**





**FIG. 6**



**FIG. 7**