



US00D428299S

# United States Patent [19] Pai

[11] Patent Number: Des. 428,299

[45] Date of Patent: \*\* Jul. 18, 2000

[54] BARBECUE GRILL

[76] Inventor: Lucas Pai, No. 24-7, Tunglo Lane,  
Peitun Dist., Taichung, Taiwan

[\*\*] Term: 14 Years

[21] Appl. No.: 29/103,001

[22] Filed: Apr. 5, 1999

[51] LOC (7) Cl. .... 07-02

[52] U.S. Cl. .... D7/332

[58] Field of Search ..... D7/332-337, 402-404,  
D7/409; 126/25 R, 25 A, 25 AA, 29-30,  
9 R, 9 B, 39 R, 41 R, 38; 99/421 R, 450,  
446

4,553,524 11/1985 Wheat et al. .  
4,966,126 10/1990 Wu .  
5,036,832 8/1991 Schlosser et al. .  
5,111,802 5/1992 Lin .  
5,159,917 11/1992 Archer et al. .  
5,213,075 5/1993 Stephen et al. .

### OTHER PUBLICATIONS

In Re Weber-Stephen Products Co., 3 USPQ2d 1659, 1987.

Primary Examiner—Ruth McInroy  
Attorney, Agent, or Firm—Kolisch Hartwell Dickinson  
McCormack & Heuser

### [57] CLAIM

The ornamental design for a barbecue grill, as shown and described.

### [56] References Cited

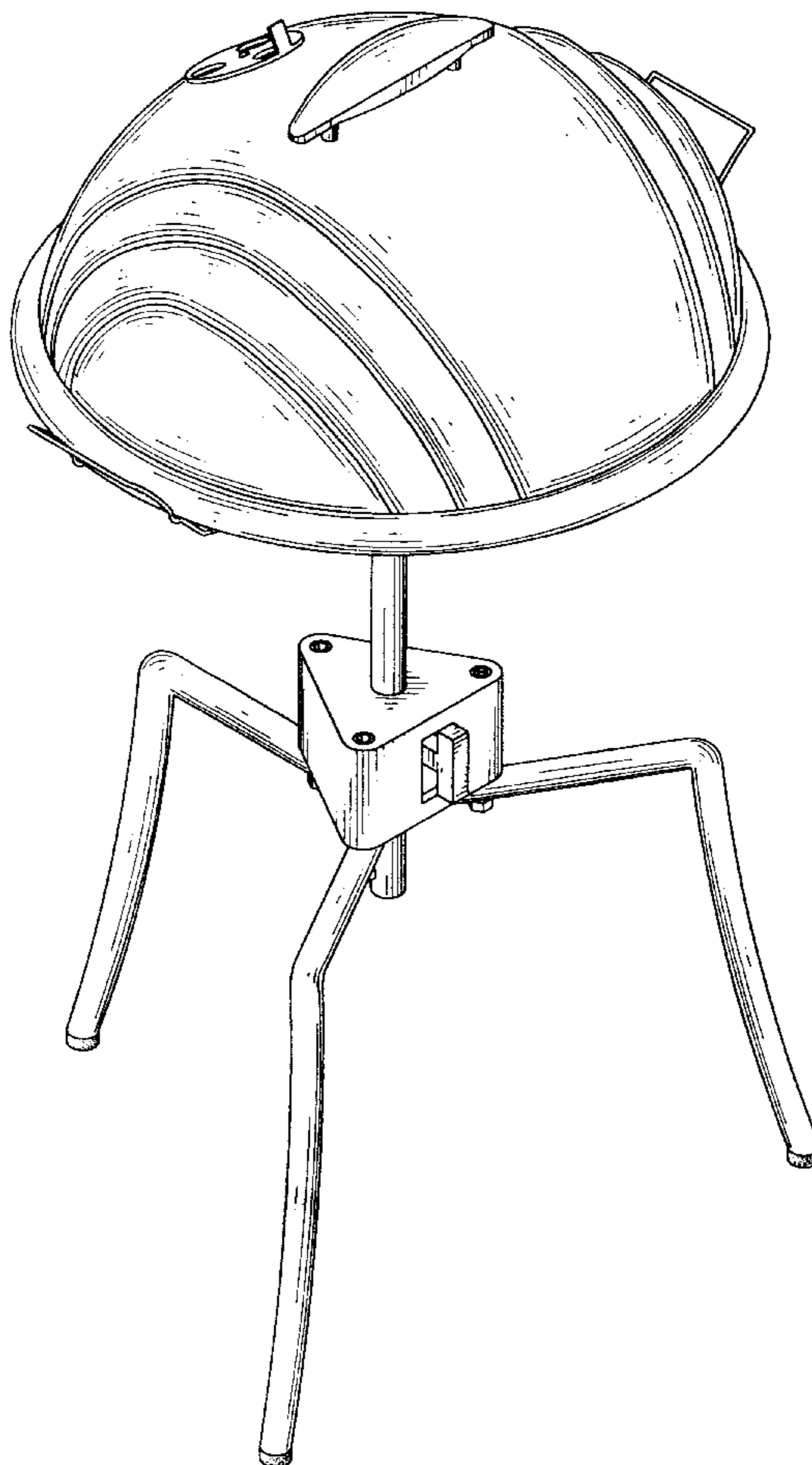
#### U.S. PATENT DOCUMENTS

D. 188,879 9/1960 Gauss et al. .  
D. 315,079 3/1991 Jui-Yen .  
D. 350,668 9/1994 Oiebel et al. .  
D. 376,510 12/1996 Ting ..... D7/332  
D. 381,860 8/1997 Chiang .  
D. 395,785 7/1998 Lin ..... D7/332  
D. 414,374 9/1999 Ting ..... D7/334  
D. 417,362 12/1999 Ting ..... D7/402  
4,353,247 10/1982 Seed .

### DESCRIPTION

FIG. 1 is a front-left-top perspective view of a barbecue grill, showing my new design;  
FIG. 2 is a front elevational view thereof;  
FIG. 3 is a rear elevational view thereof;  
FIG. 4 is a left side view thereof;  
FIG. 5 is a right side view thereof;  
FIG. 6 is a top plan view thereof; and,  
FIG. 7 is a bottom plan view thereof.

1 Claim, 6 Drawing Sheets



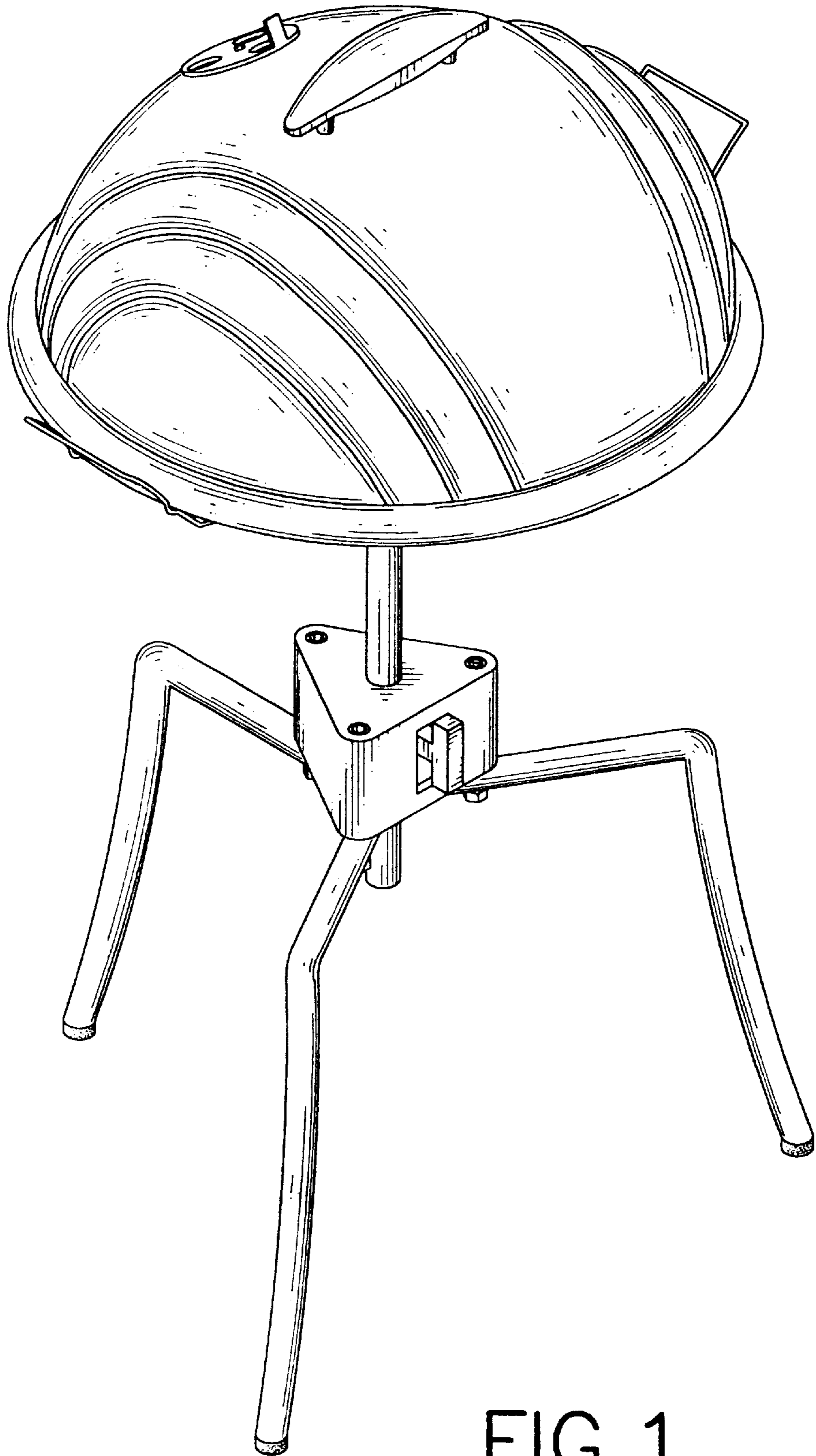


FIG. 1

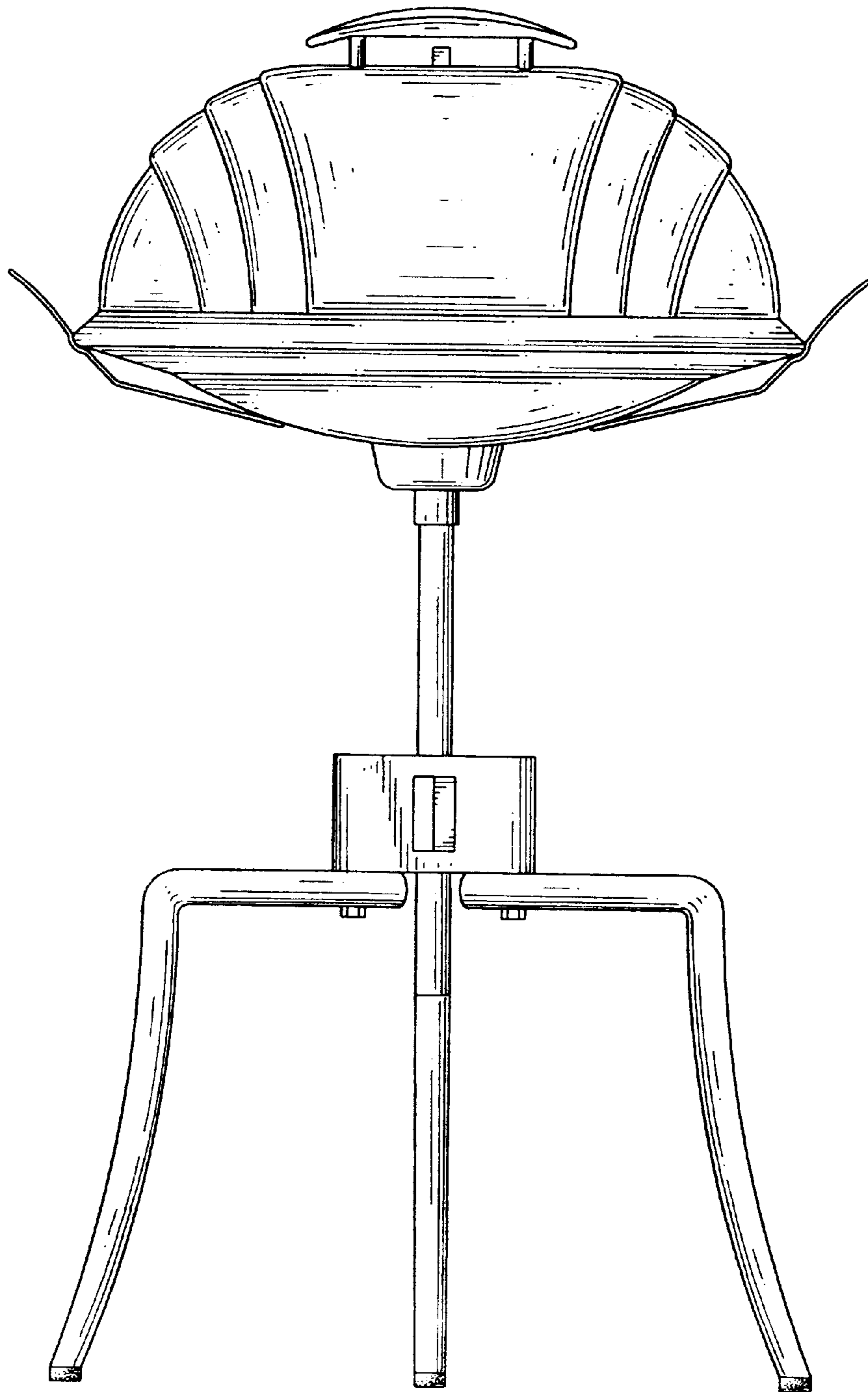


FIG. 2

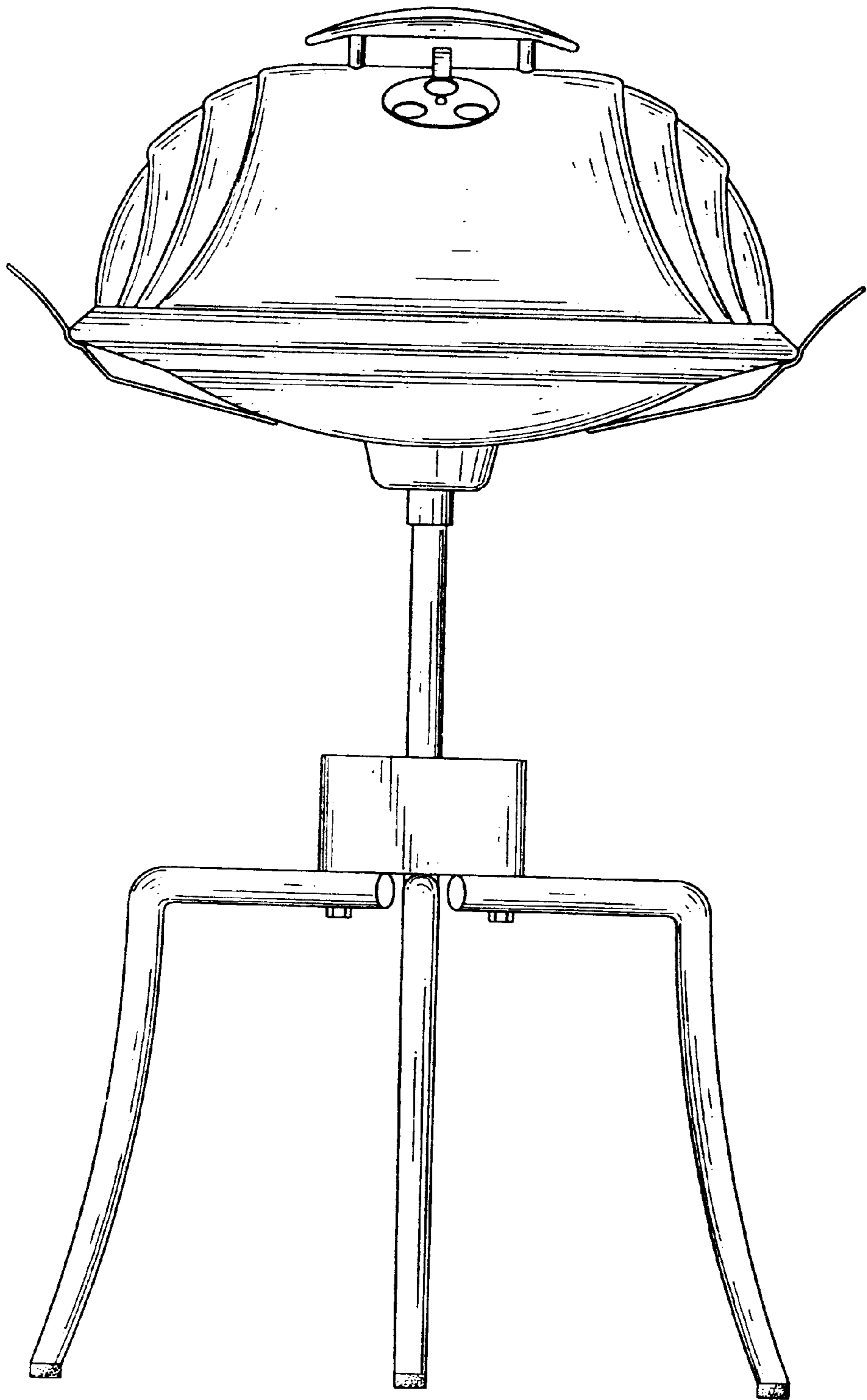


FIG. 3

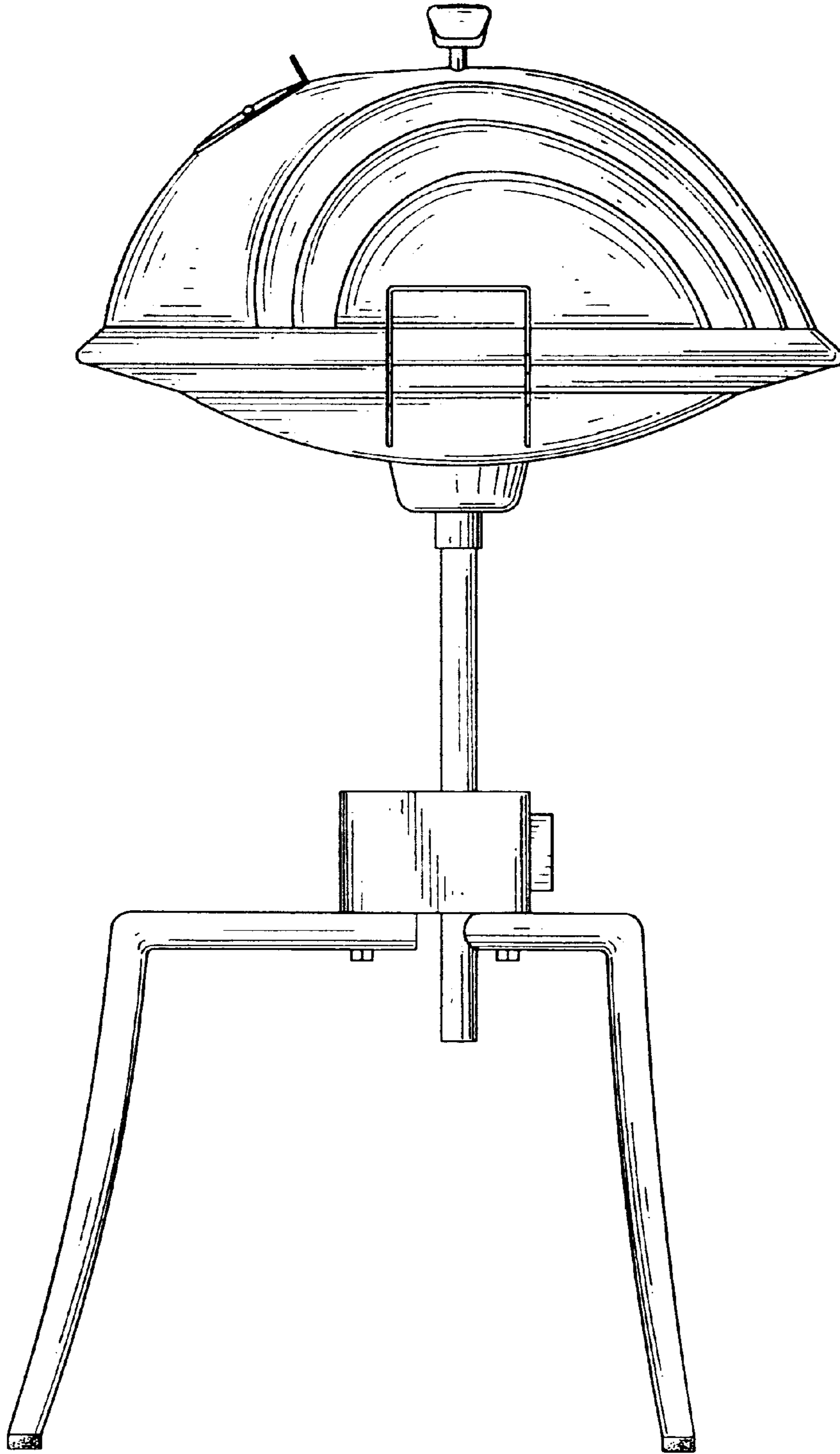


FIG. 4

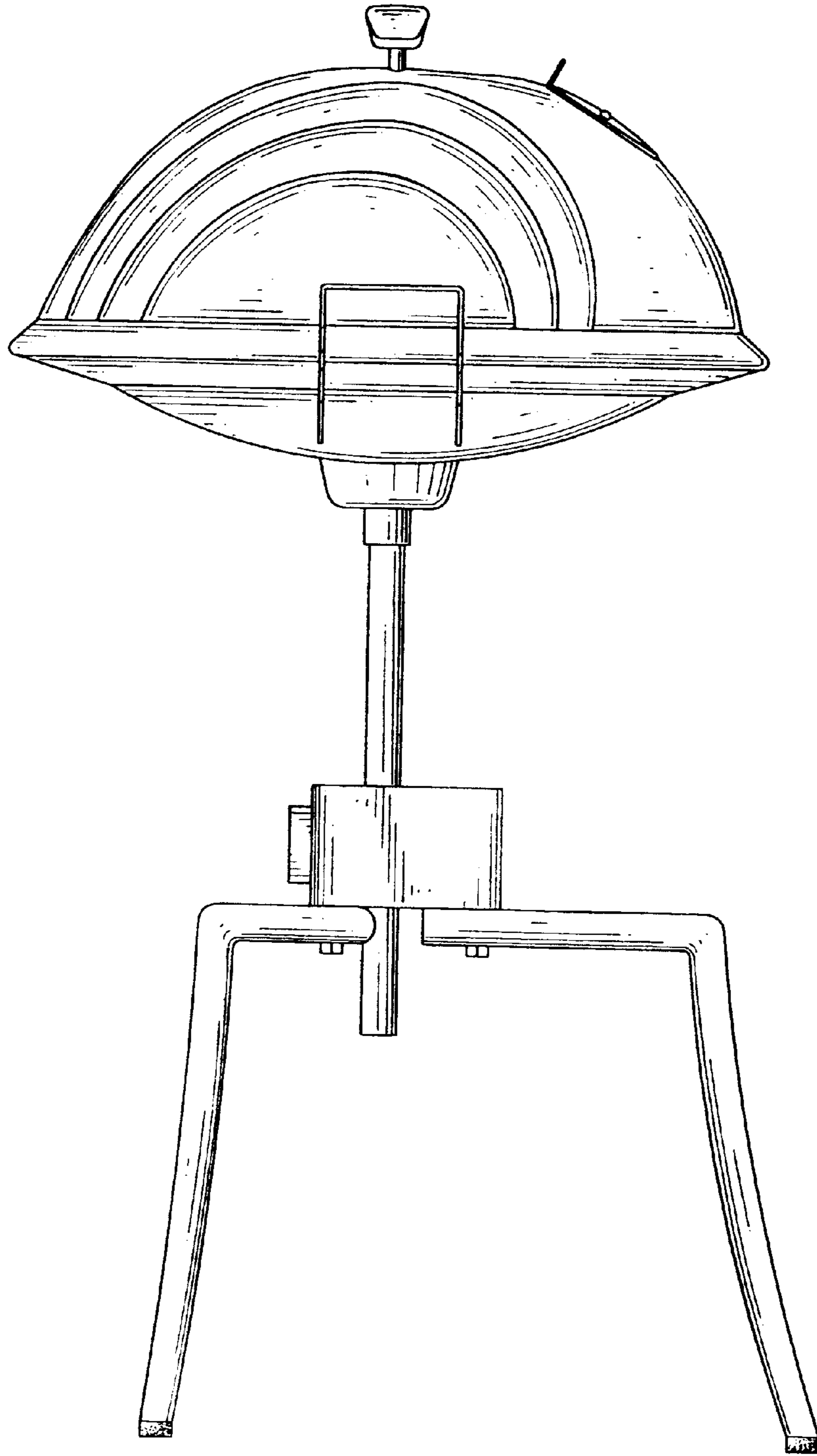


FIG. 5

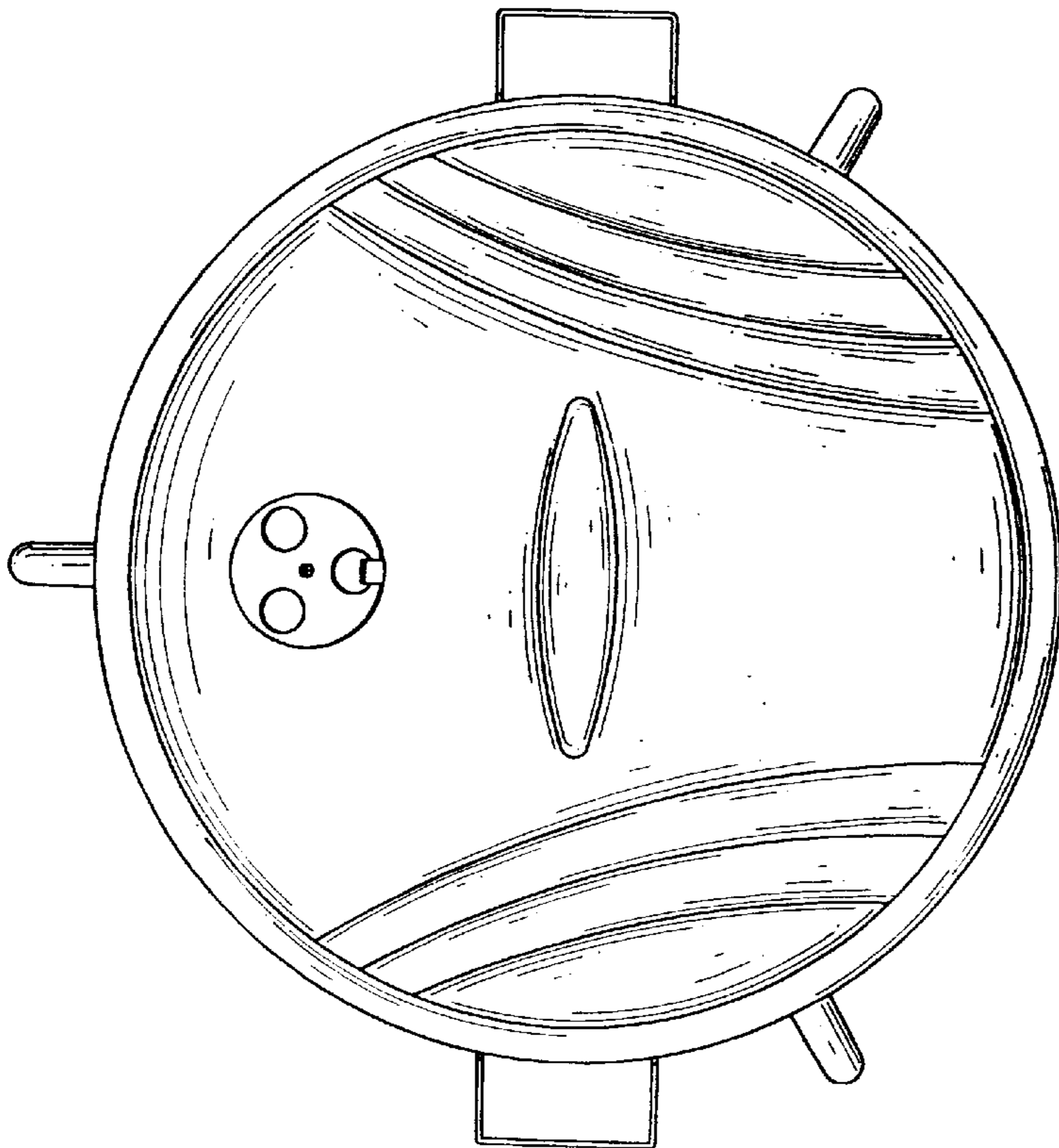


FIG. 6

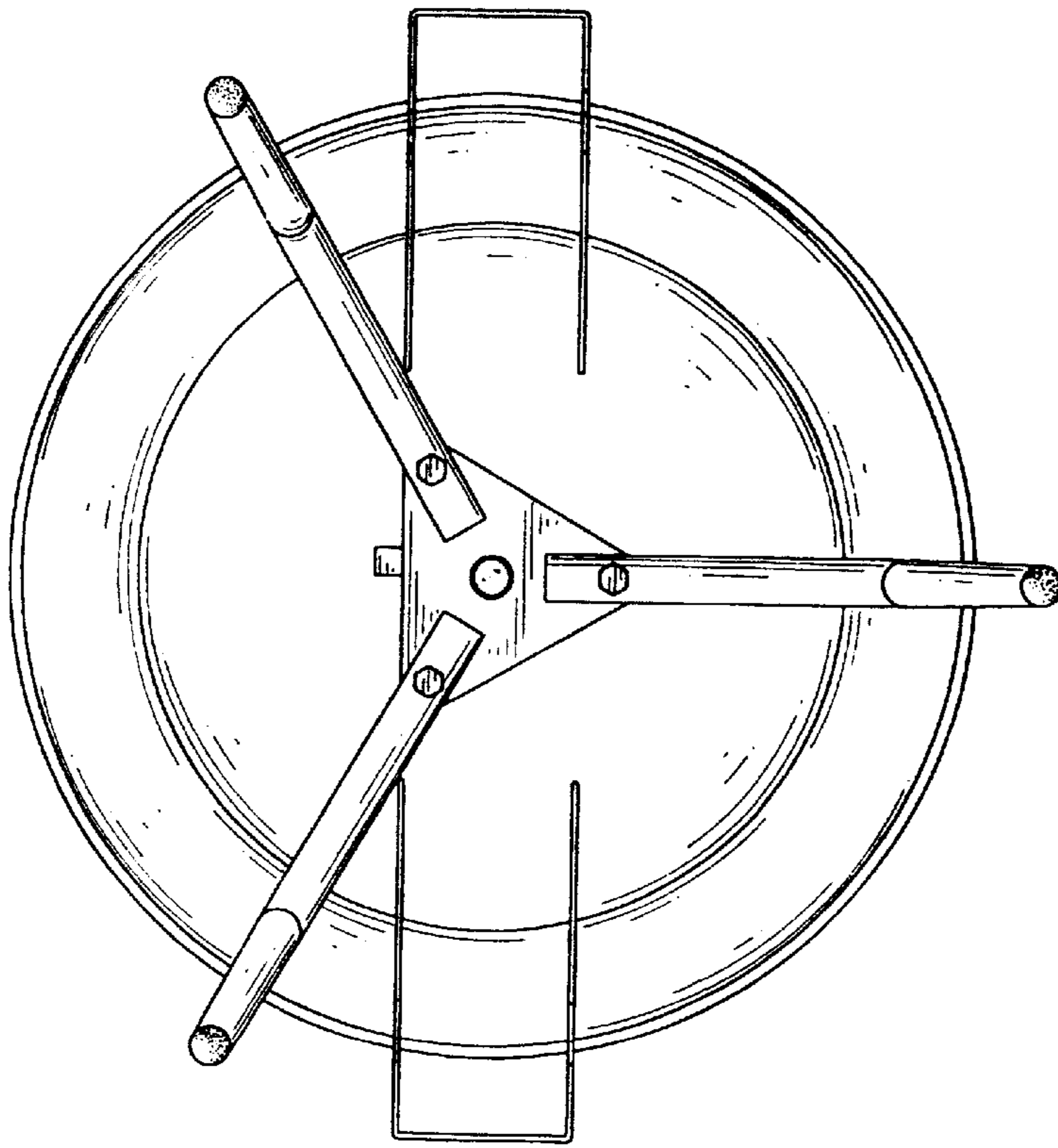


FIG. 7