



US00D428294S

United States Patent [19]
Teel

[11] **Patent Number: Des. 428,294**

[45] **Date of Patent: ** Jul. 18, 2000**

[54] **HEADREST PILLOW**

[76] Inventor: **Carl F Teel**, 2626 Forestview Dr.,
Oroville, Calif. 95966

[**] Term: **14 Years**

[21] Appl. No.: **29/082,470**

[22] Filed: **Jan. 22, 1998**

[51] **LOC (7) Cl.** **06-09**

[52] **U.S. Cl.** **D6/601**

[58] **Field of Search** D6/595, 596, 601,
D6/604; 5/630, 631, 632, 636, 637, 640,
644, 646-648, 652, 653, 654, 655, 655.9,
657, 907; 297/391, 395, 397

[56] **References Cited**

U.S. PATENT DOCUMENTS

D. 195,197	5/1963	Resqua	D6/601
D. 329,957	10/1992	Hartnett	D6/601
5,345,633	9/1994	Harnish	5/639
5,487,197	1/1996	Iskra, Jr. et al.	5/654

Primary Examiner—Janice E. Seeger

[57] **CLAIM**

The ornamental design for a headrest pillow, as shown.

DESCRIPTION

FIG. 1 is a front elevational view of the headrest pillow of the present invention;

FIG. 2 is a back elevational view of the headrest pillow of FIG. 1;

FIG. 3 is a left side elevational view of the headrest pillow of FIG. 1;

FIG. 4 is a right side elevational view of the headrest pillow of FIG. 1;

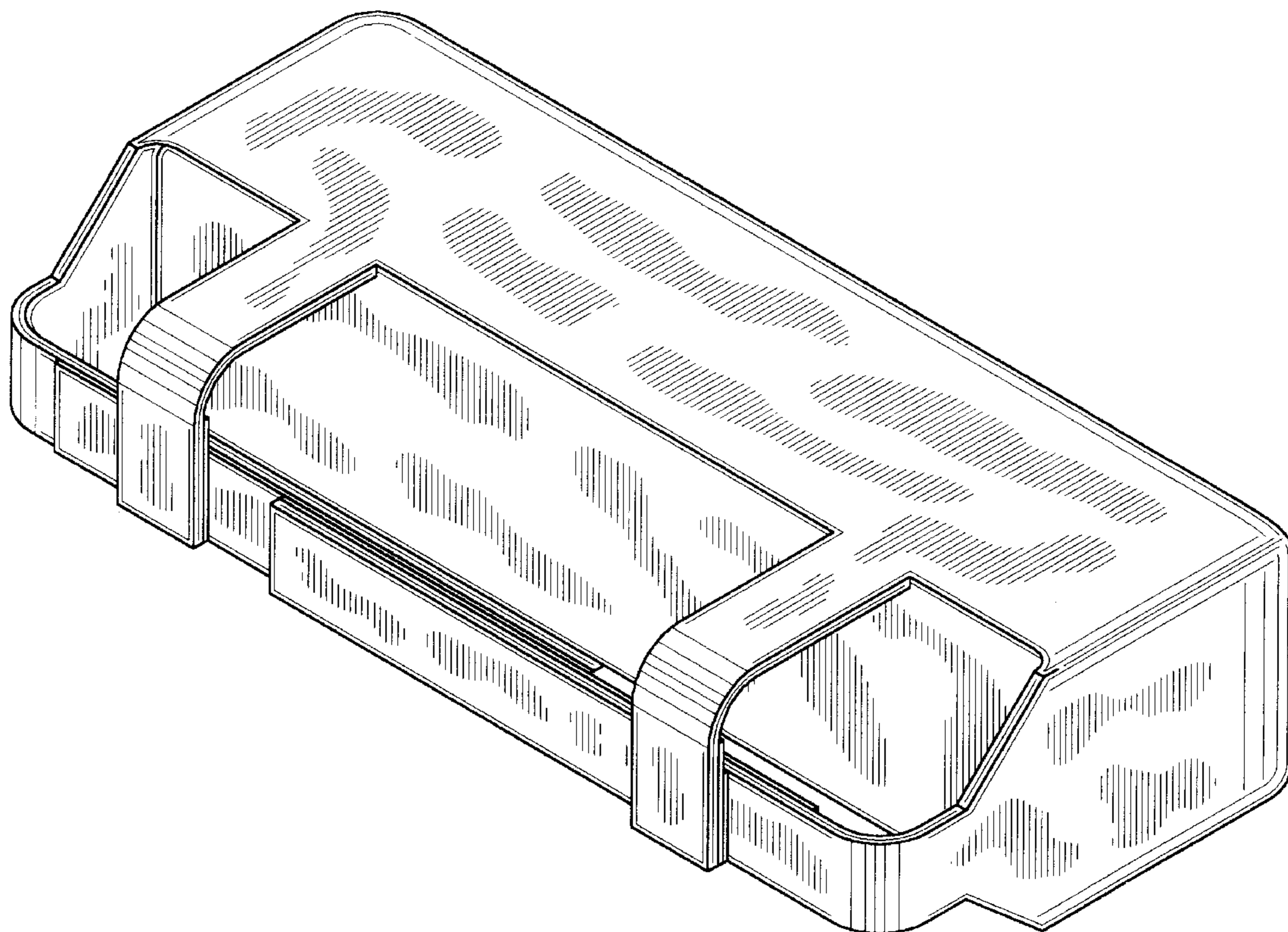
FIG. 5 is a top plan view of the headrest pillow of FIG. 1; and

FIG. 6 is a bottom plan view of the headrest pillow of FIG. 1.

FIG. 7 is a front, right side, top perspective view of the headrest pillow of FIG. 1; and,

FIG. 8 is a front, right side, top perspective view of the headrest pillow of FIG. 1 in an alternate position.

1 Claim, 5 Drawing Sheets



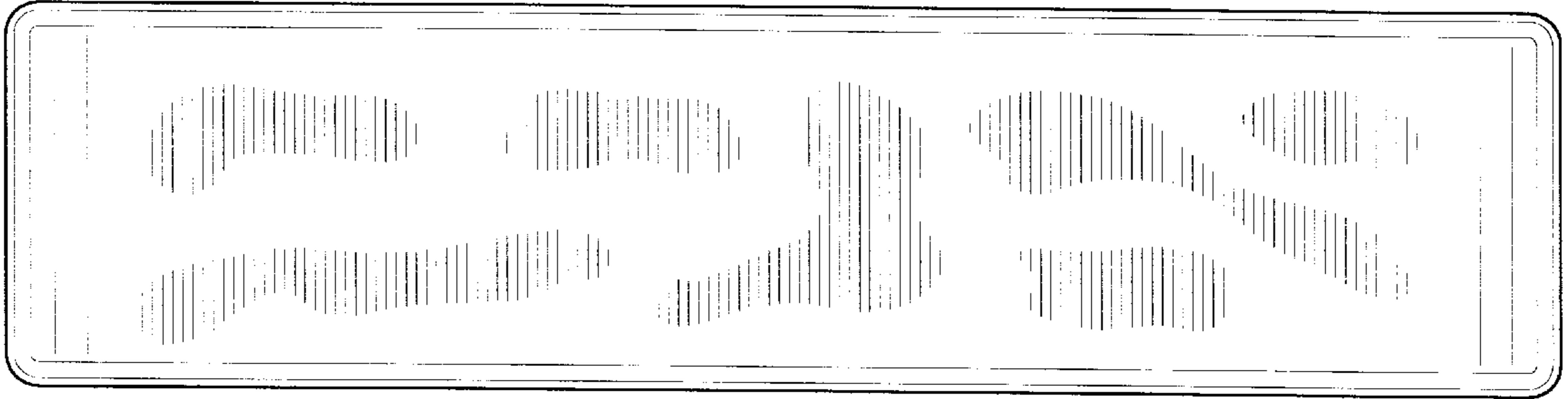


Fig. 1

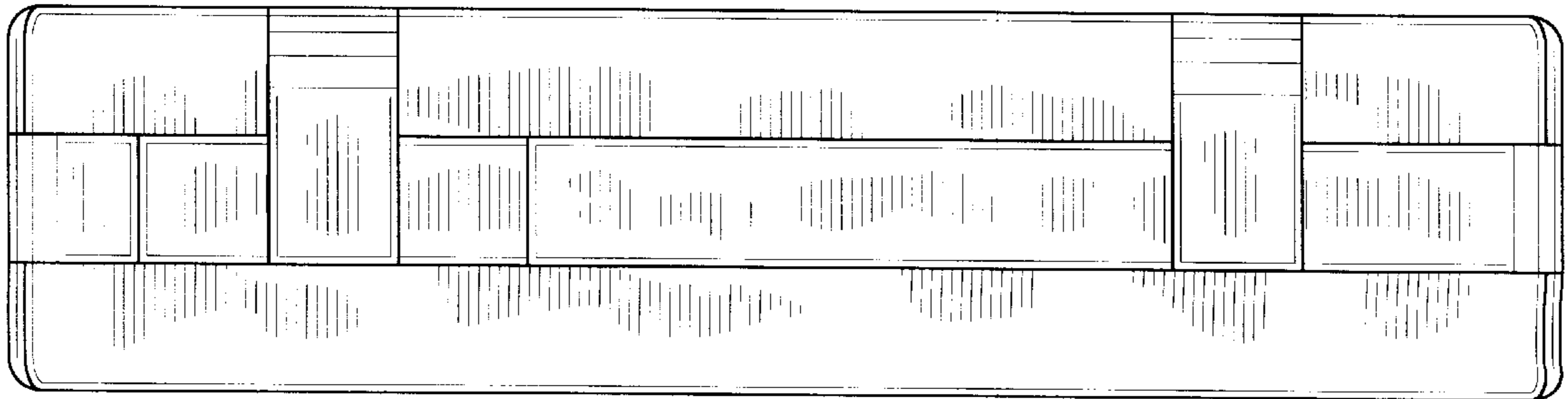


Fig. 2

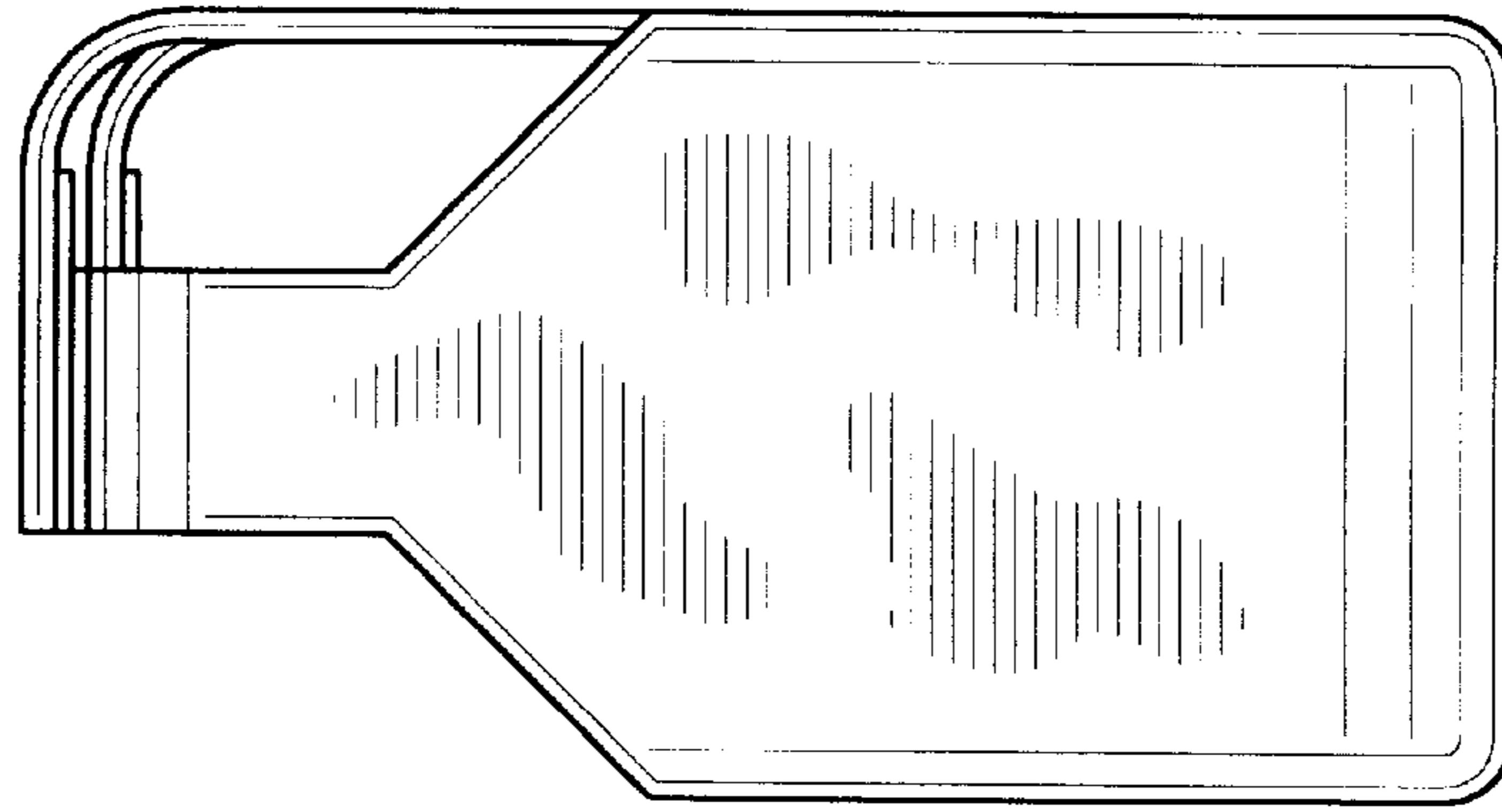


Fig. 3

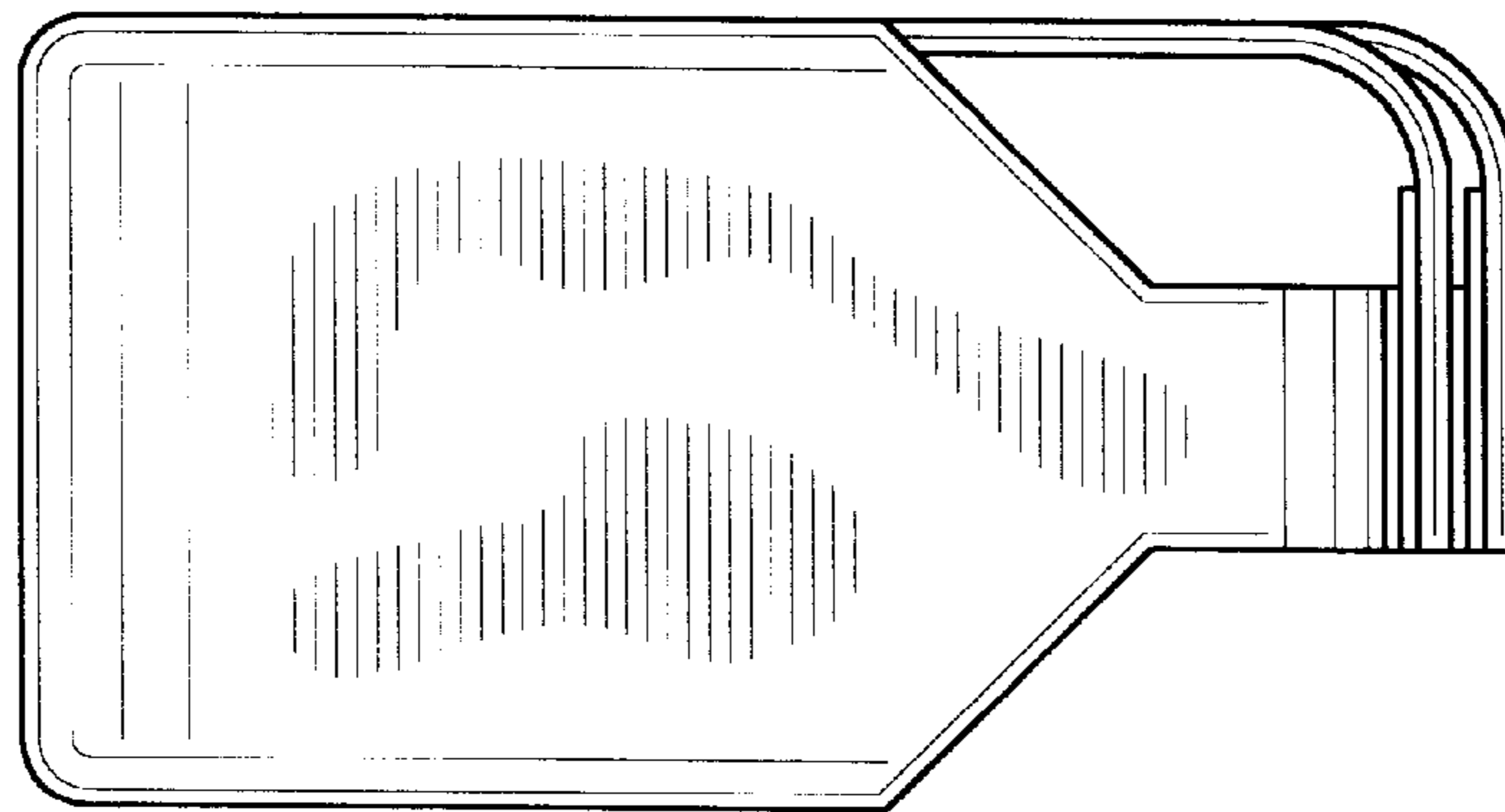


Fig. 4

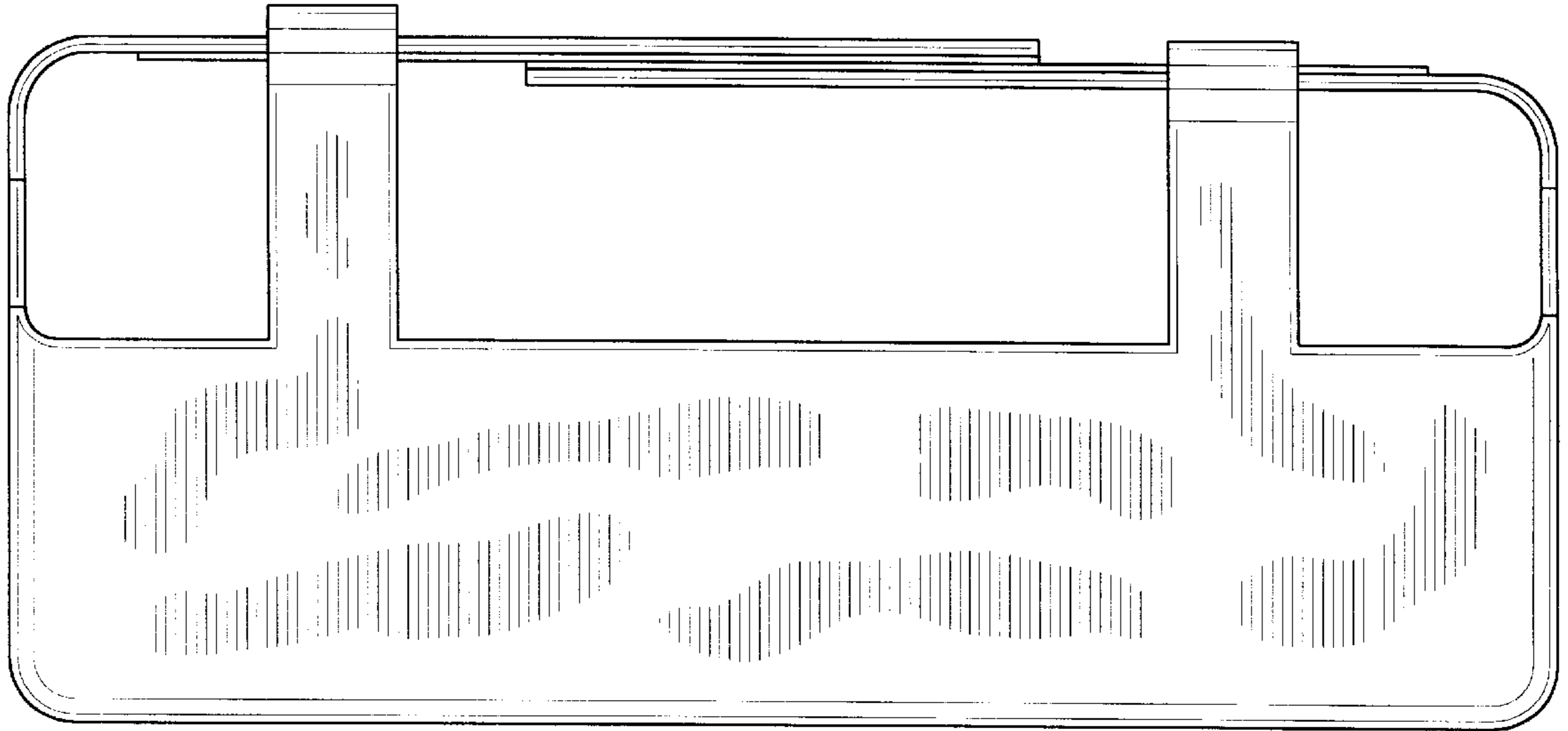


Fig. 5

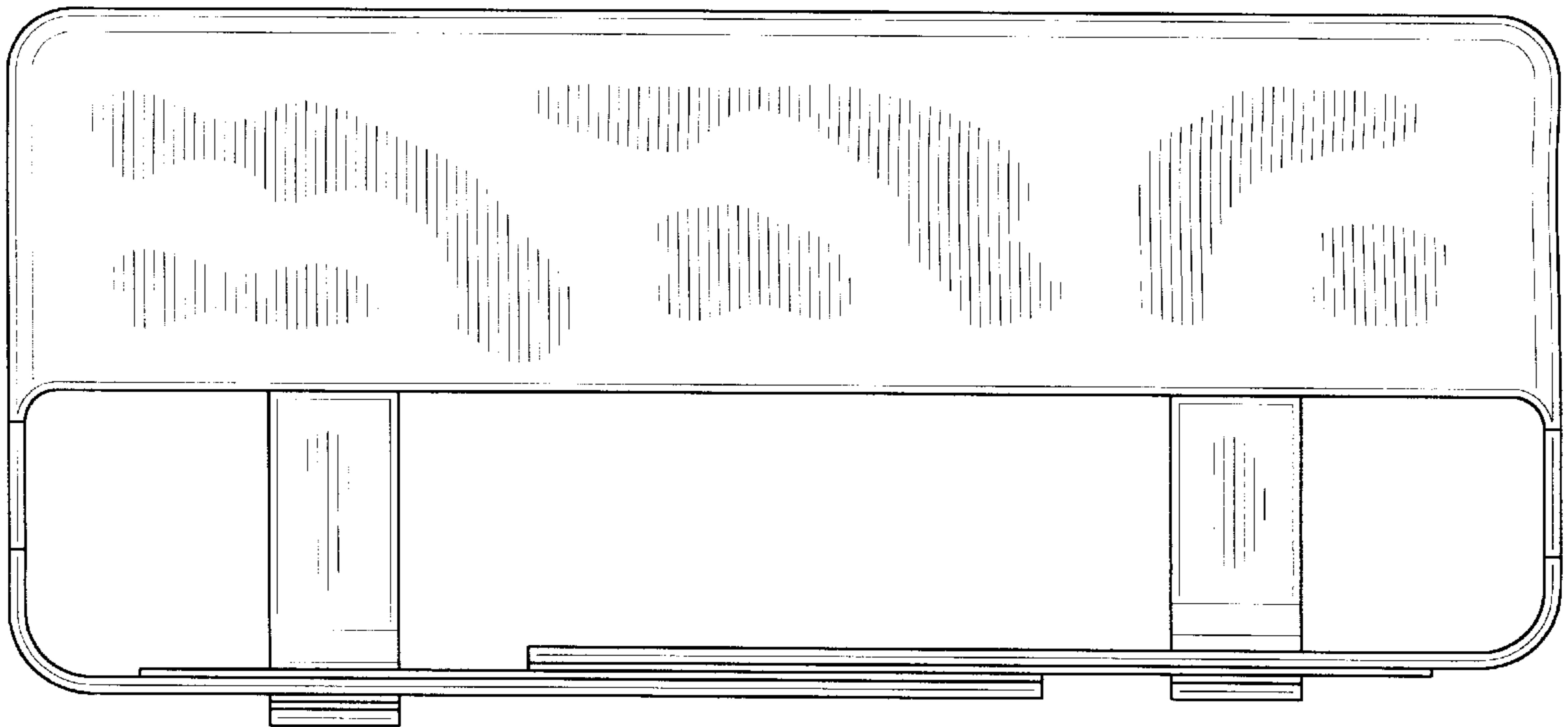


Fig. 6

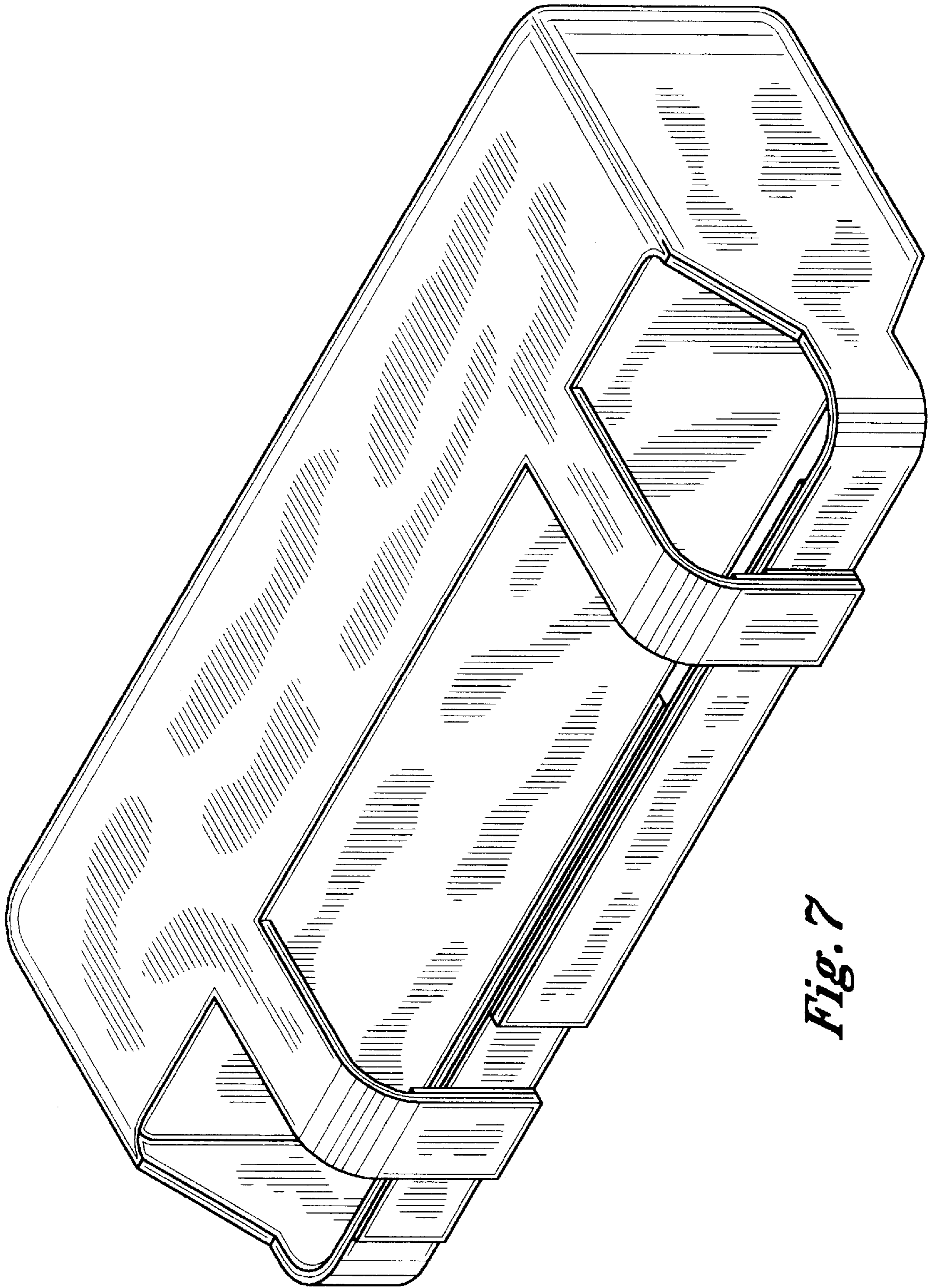


Fig. 7

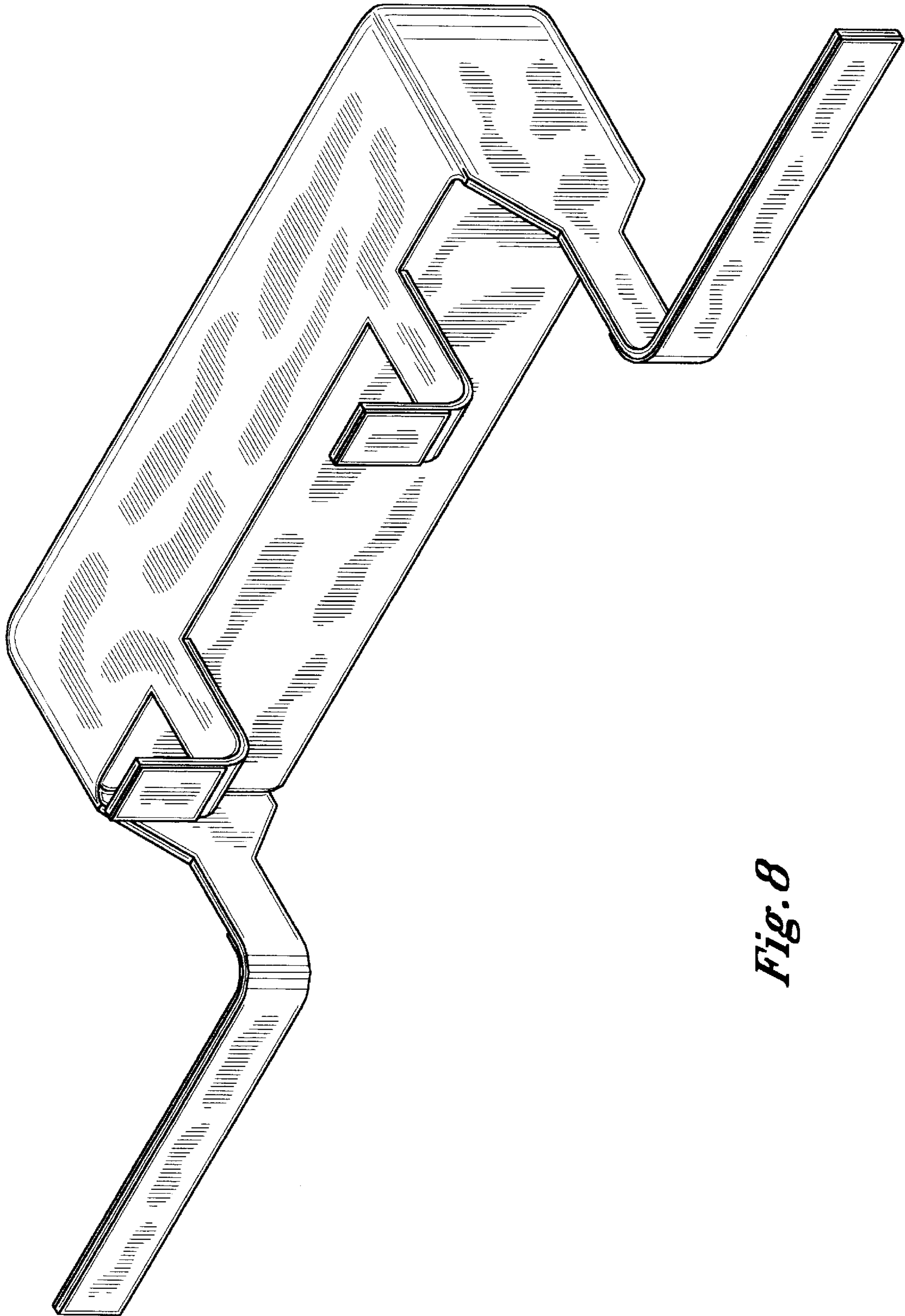


Fig. 8