



US00D428290S

United States Patent [19]

Wilson

[11] Patent Number: **Des. 428,290**

[45] Date of Patent: **** Jul. 18, 2000**

[54] **HAIR CARE CENTER**

[76] Inventor: **R. Craig Wilson**, 1170 E. 550 North, Ogden, Utah 84404

[**] Term: **14 Years**

[21] Appl. No.: **29/111,036**

[22] Filed: **Sep. 20, 1999**

[51] **LOC (7) Cl.** **06-04**

[52] **U.S. Cl.** **D6/571; D6/524**

[58] **Field of Search** D6/524, 525, 567, D6/568, 569, 570, 571; 312/34.1, 34.4, 224, 227, 242, 245, 34.8; 211/123

[56] **References Cited**

U.S. PATENT DOCUMENTS

D. 395,779	7/1998	Chen	D6/559
D. 402,492	12/1998	Chen	D6/561
D. 413,220	8/1999	Chen	D6/559
D. 415,918	11/1999	Chen	D6/561

Primary Examiner—Brian N. Vinson
Attorney, Agent, or Firm—Mallinckrodt & Mallinckrodt

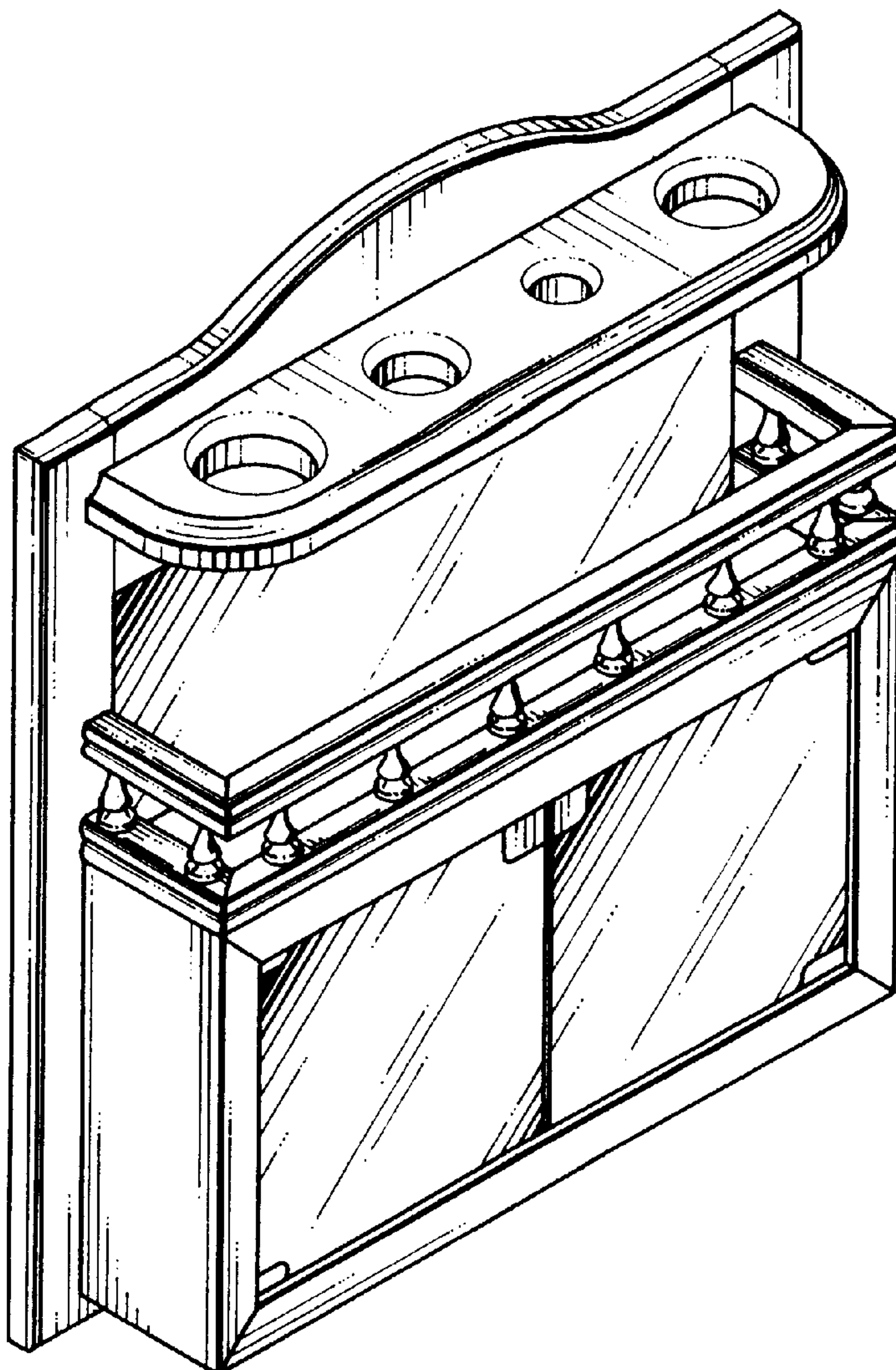
[57] **CLAIM**

The ornamental design for a hair care center, as shown and described.

DESCRIPTION

FIG. 1 is a front and left side perspective view of a hair care center showing a first version of my new design having hinged mirrored doors, both being in the closed position; FIG. 2 is a front elevational view thereof; FIG. 3 is a rear elevational view thereof; FIG. 4 is a left side elevational view thereof; FIG. 5 is a right side elevational view thereof; FIG. 6 is a top plan view thereof; FIG. 7 is a bottom plan view thereof; and, FIG. 8 is a front elevational view showing a second version of my new design having sliding mirrored doors, one door being in the open position.

1 Claim, 3 Drawing Sheets



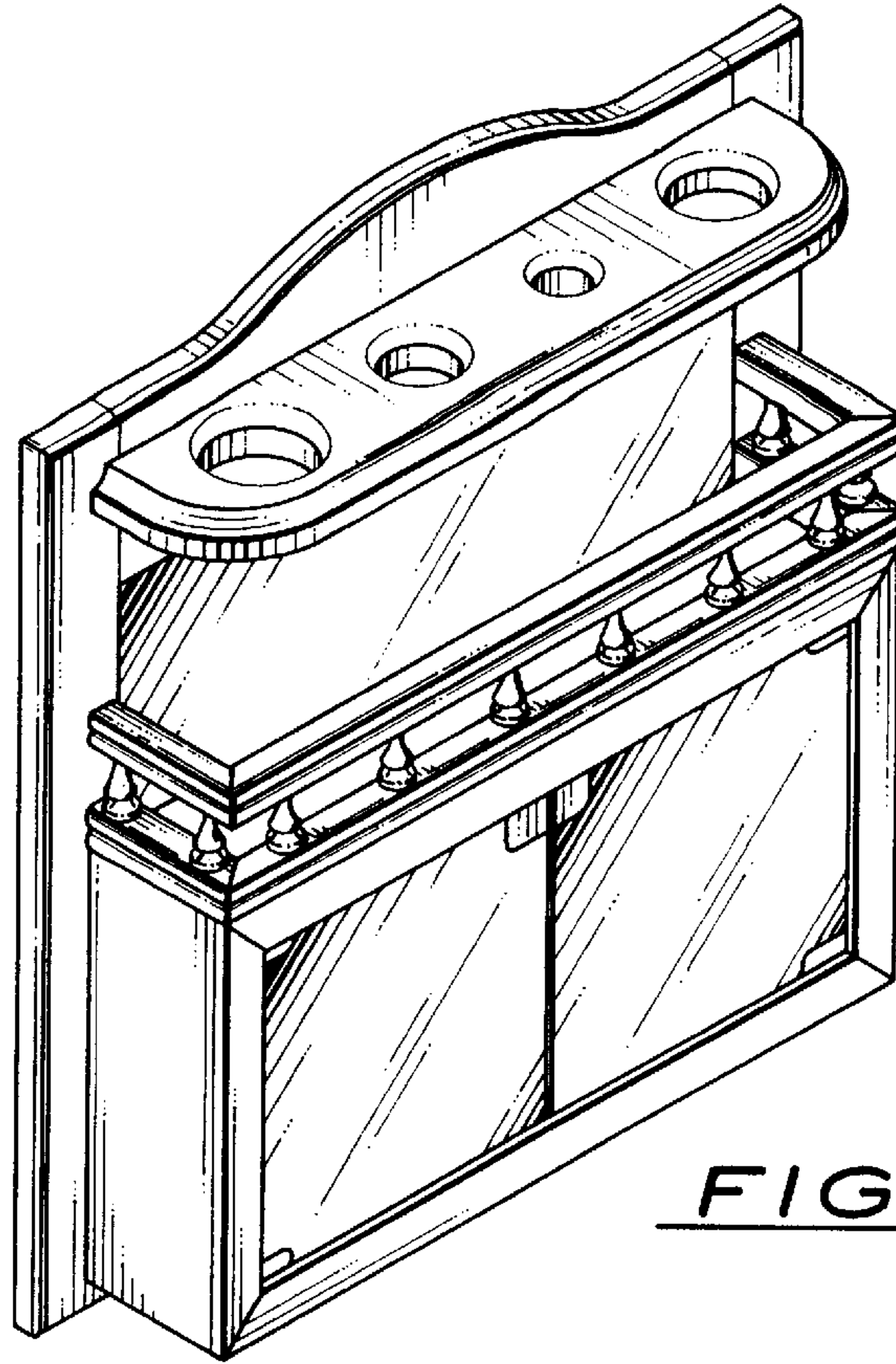


FIG. 1

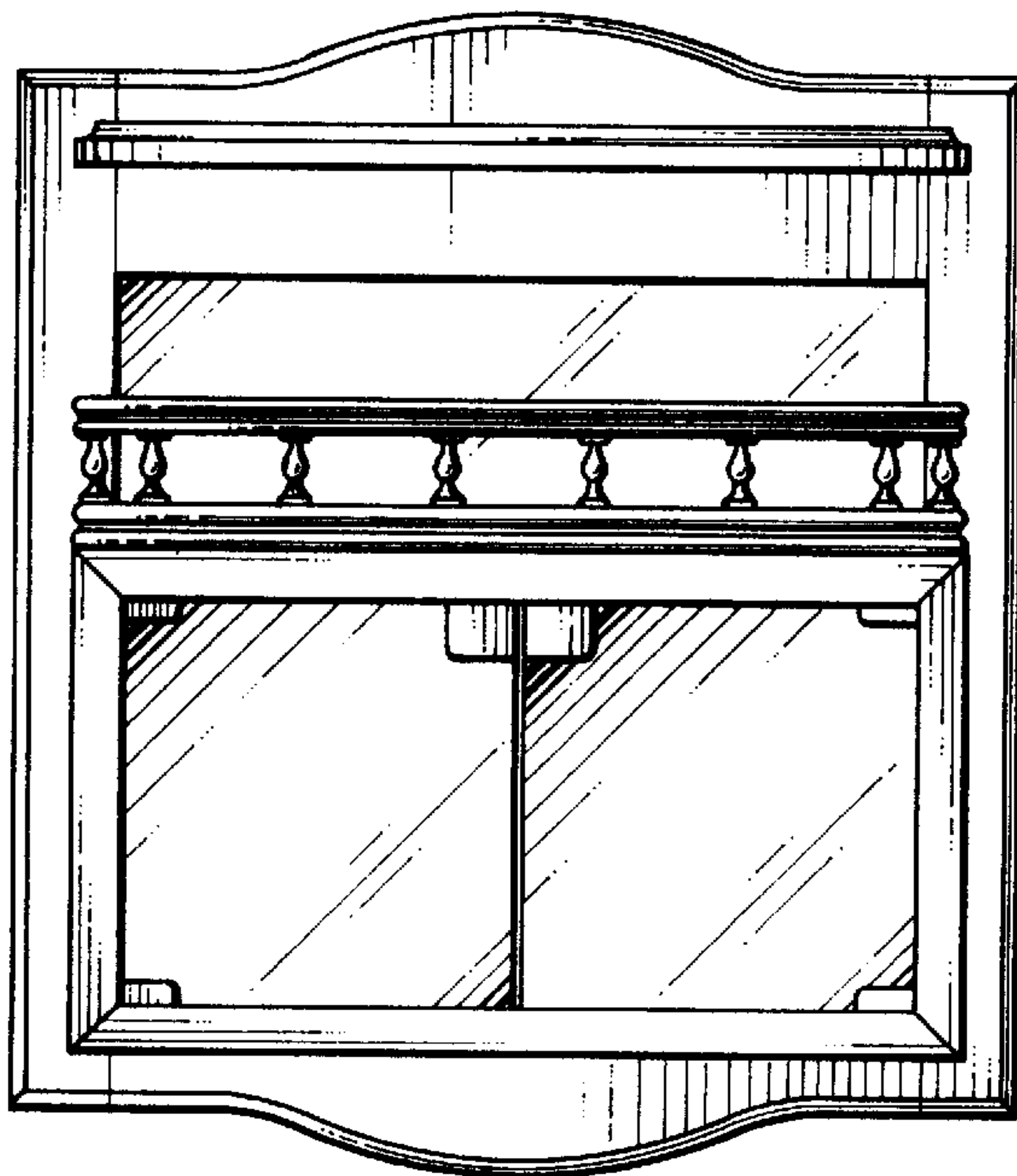


FIG. 2

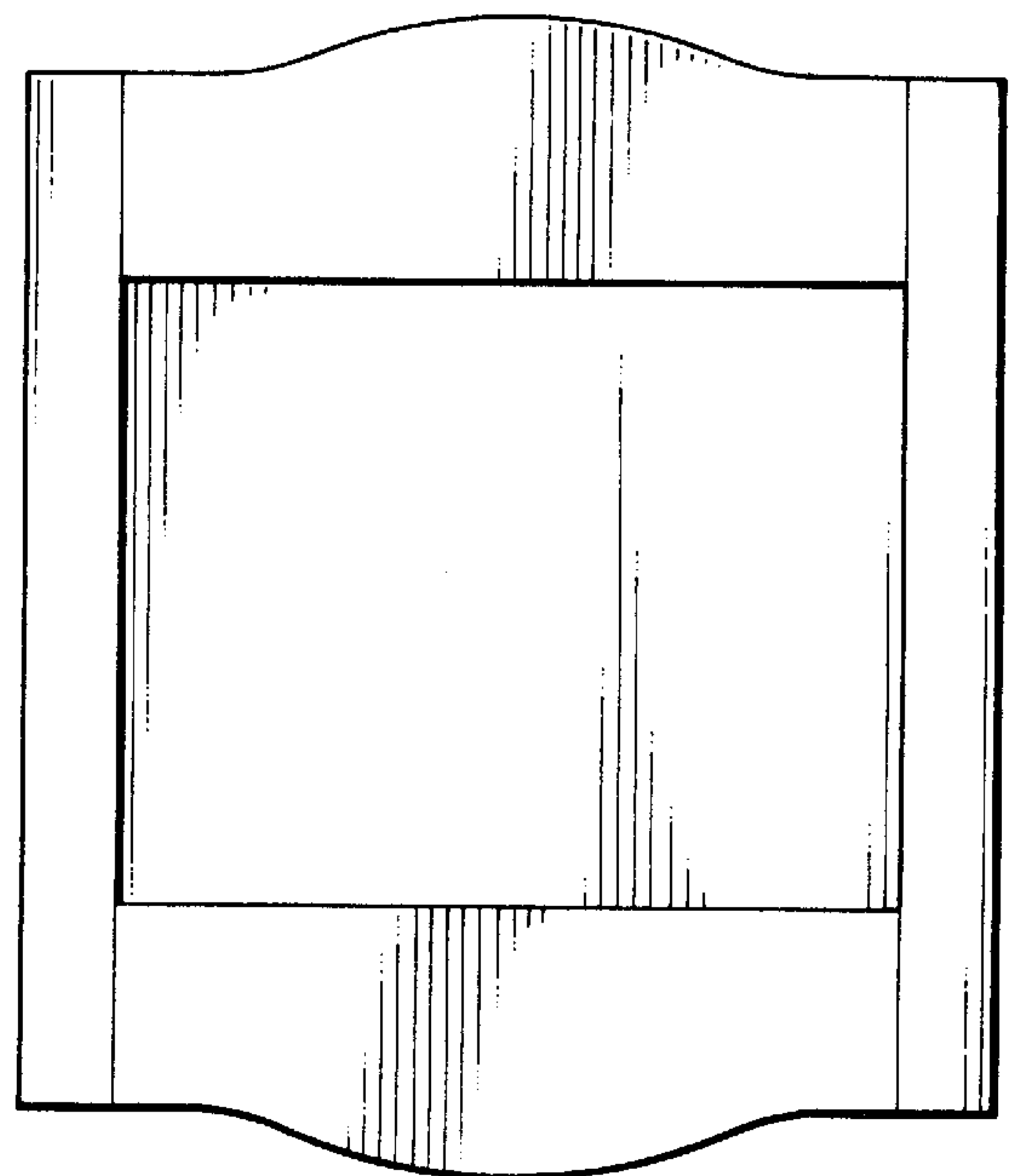


FIG. 3

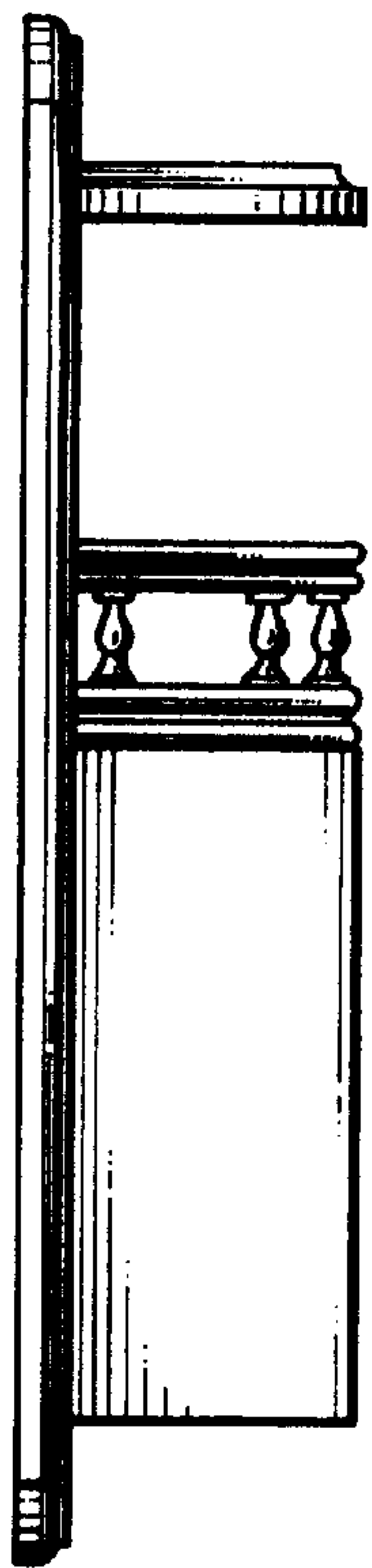


FIG. 4

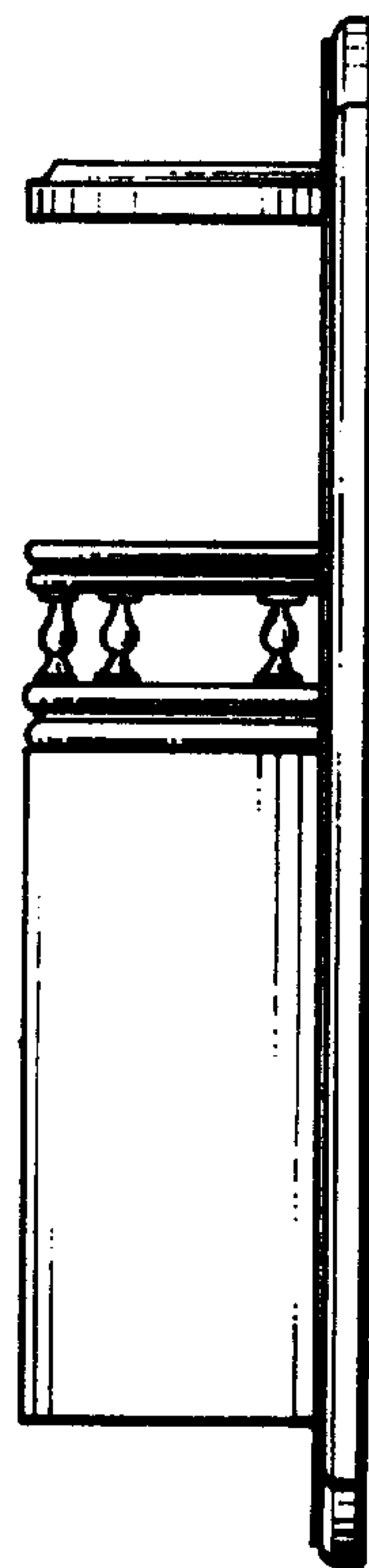


FIG. 5

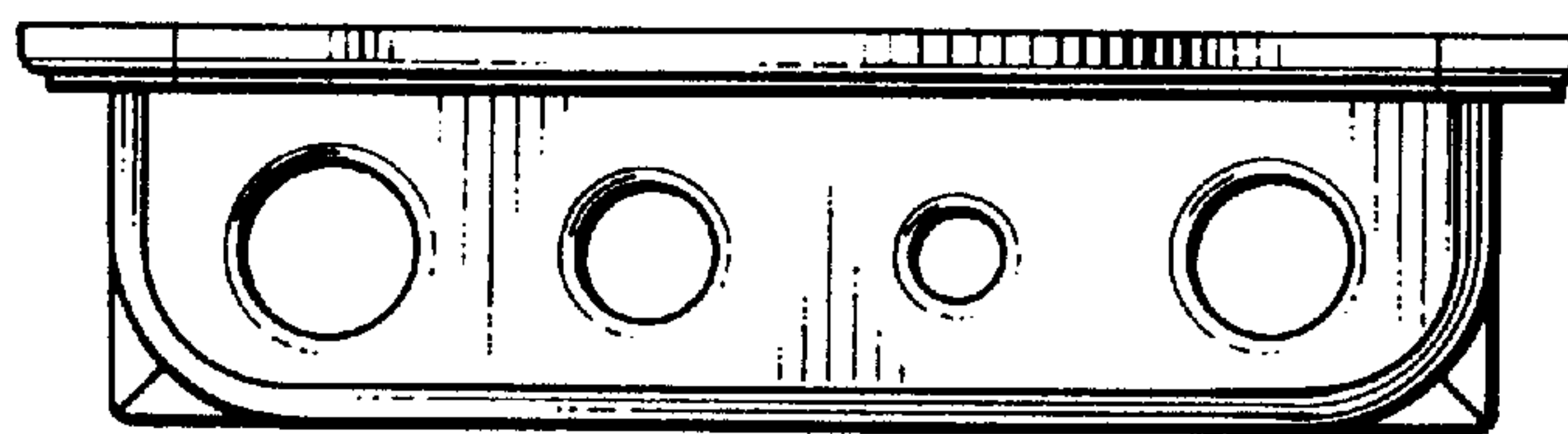


FIG. 6

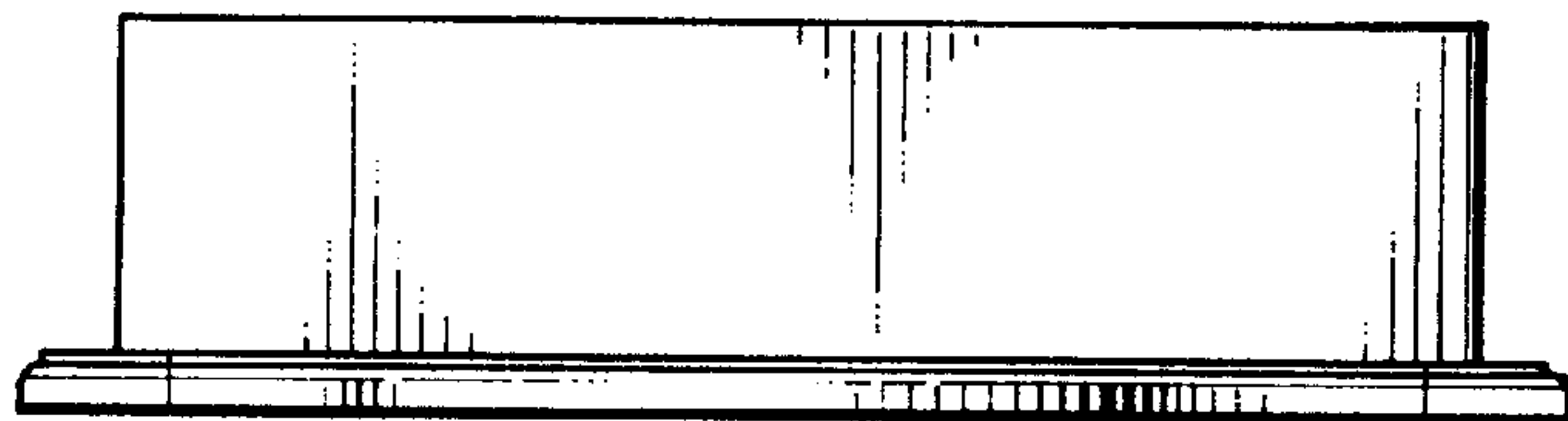


FIG. 7

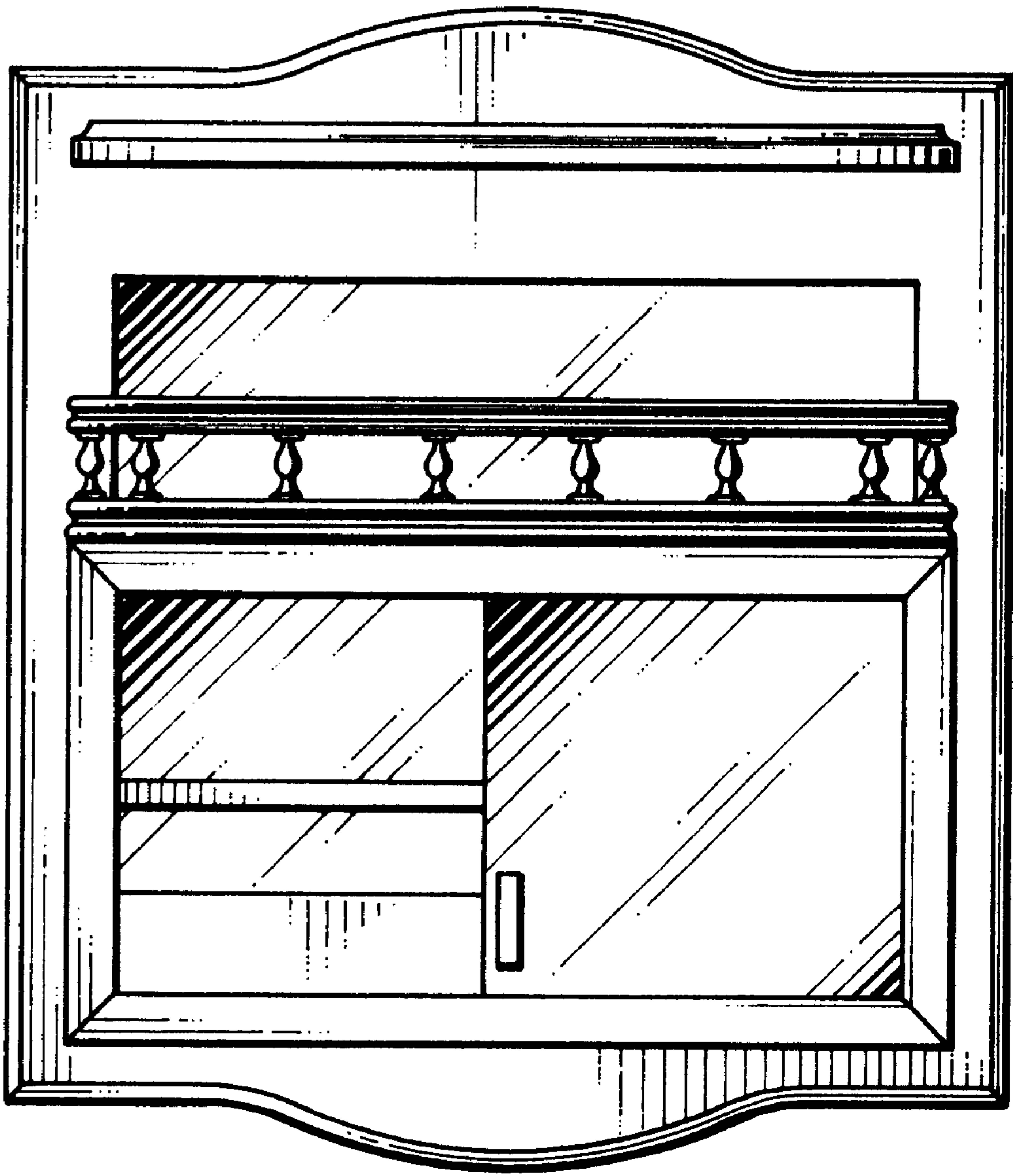


FIG. 8