



US00D428287S

# United States Patent [19] Harper

[11] Patent Number: **Des. 428,287**

[45] Date of Patent: **\*\* Jul. 18, 2000**

[54] **RACK**

[76] Inventor: **Otis C. Harper**, 329 N. Cedar, Pauls Valley, Okla. 73075

[\*\*] Term: **14 Years**

[21] Appl. No.: **29/112,311**

[22] Filed: **Oct. 13, 1999**

[51] **LOC (7) Cl.** ..... **06-06**

[52] **U.S. Cl.** ..... **D6/514**

[58] **Field of Search** ..... D6/512-514, 552, D6/553, 567, 569, 574; 211/13.1, 86-90, 113, 126.1, 134

[56] **References Cited**

**U.S. PATENT DOCUMENTS**

D. 317,982 7/1991 Morales ..... D6/513

D. 328,544 8/1992 Salazar ..... 6/574 X  
D. 364,058 11/1995 Wilk ..... D6/513  
D. 392,828 3/1998 Lauer ..... D6/574

*Primary Examiner*—Brian N. Vinson  
*Attorney, Agent, or Firm*—Dunlap, Coddling & Rogers, P.C.

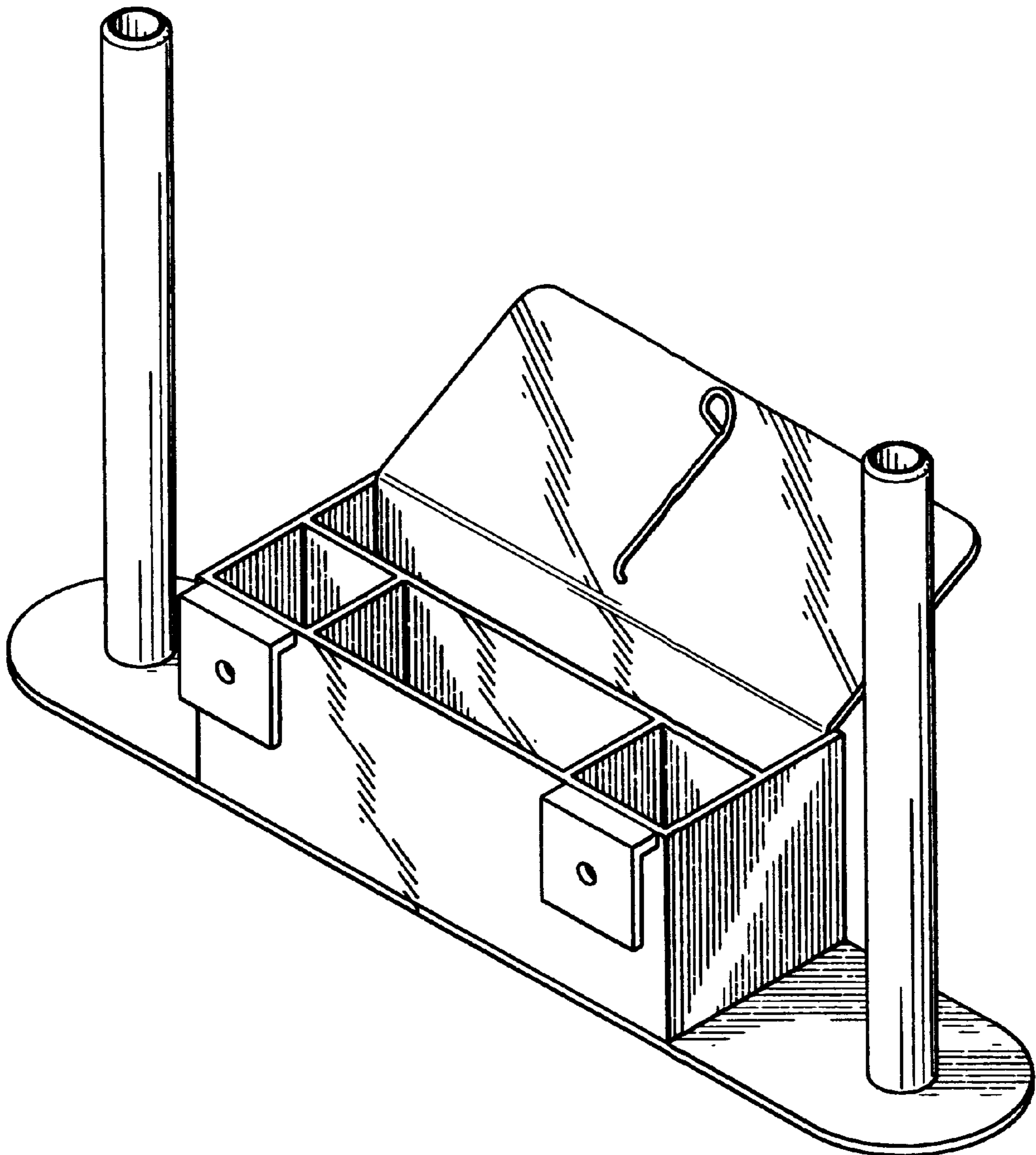
[57] **CLAIM**

The ornamental design for a rack, as shown.

**DESCRIPTION**

FIG. 1 is a perspective view of the rack.  
FIG. 2 is a front view of the rack.  
FIG. 3 is a rear view of the rack.  
FIG. 4 is an elevational view of one end of the rack.  
FIG. 5 is an elevational view of the opposite end of the rack;  
FIG. 6 is a top view of the rack; and,  
FIG. 7 is a bottom view of the rack.

**1 Claim, 3 Drawing Sheets**



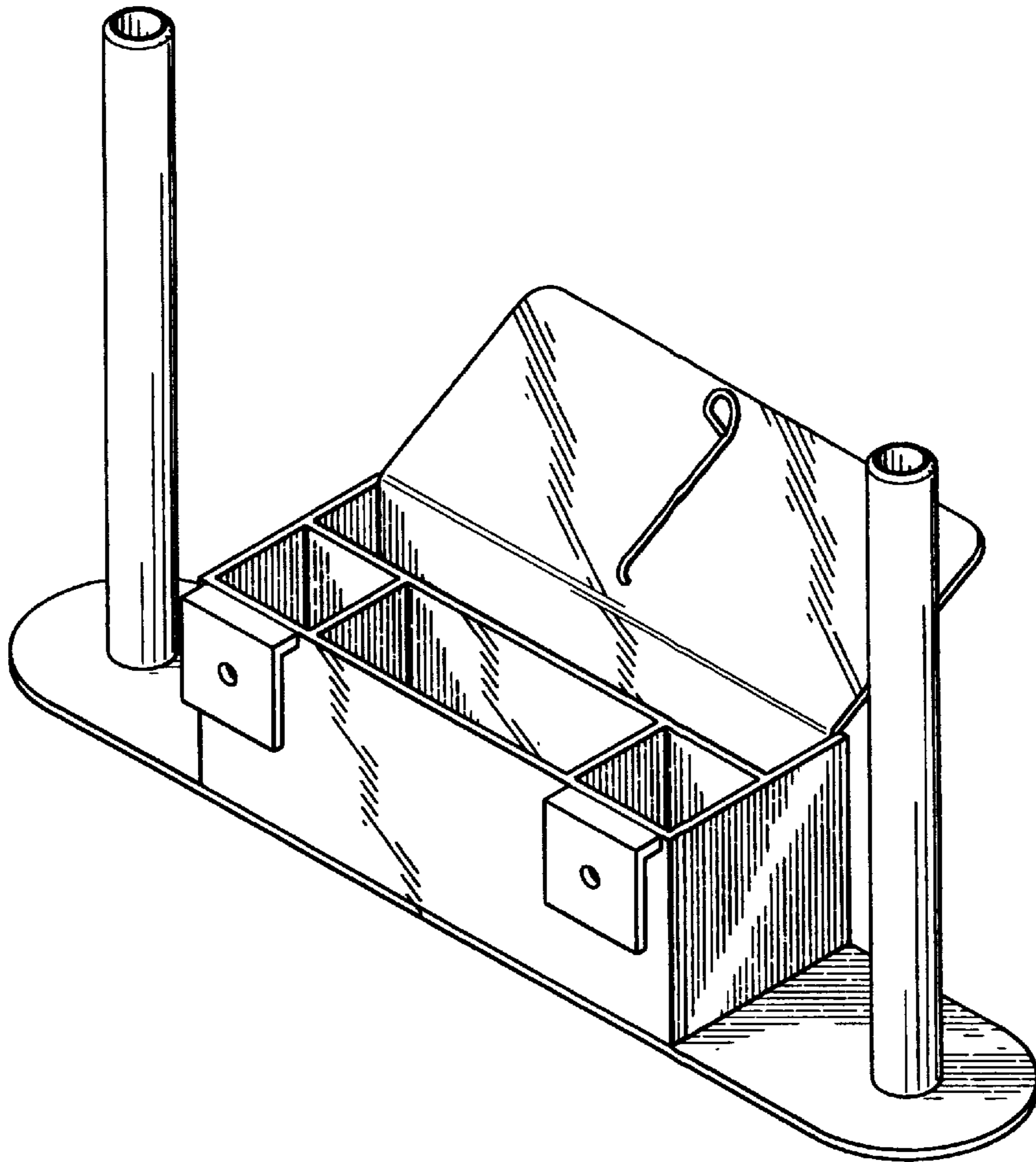


FIG. 1

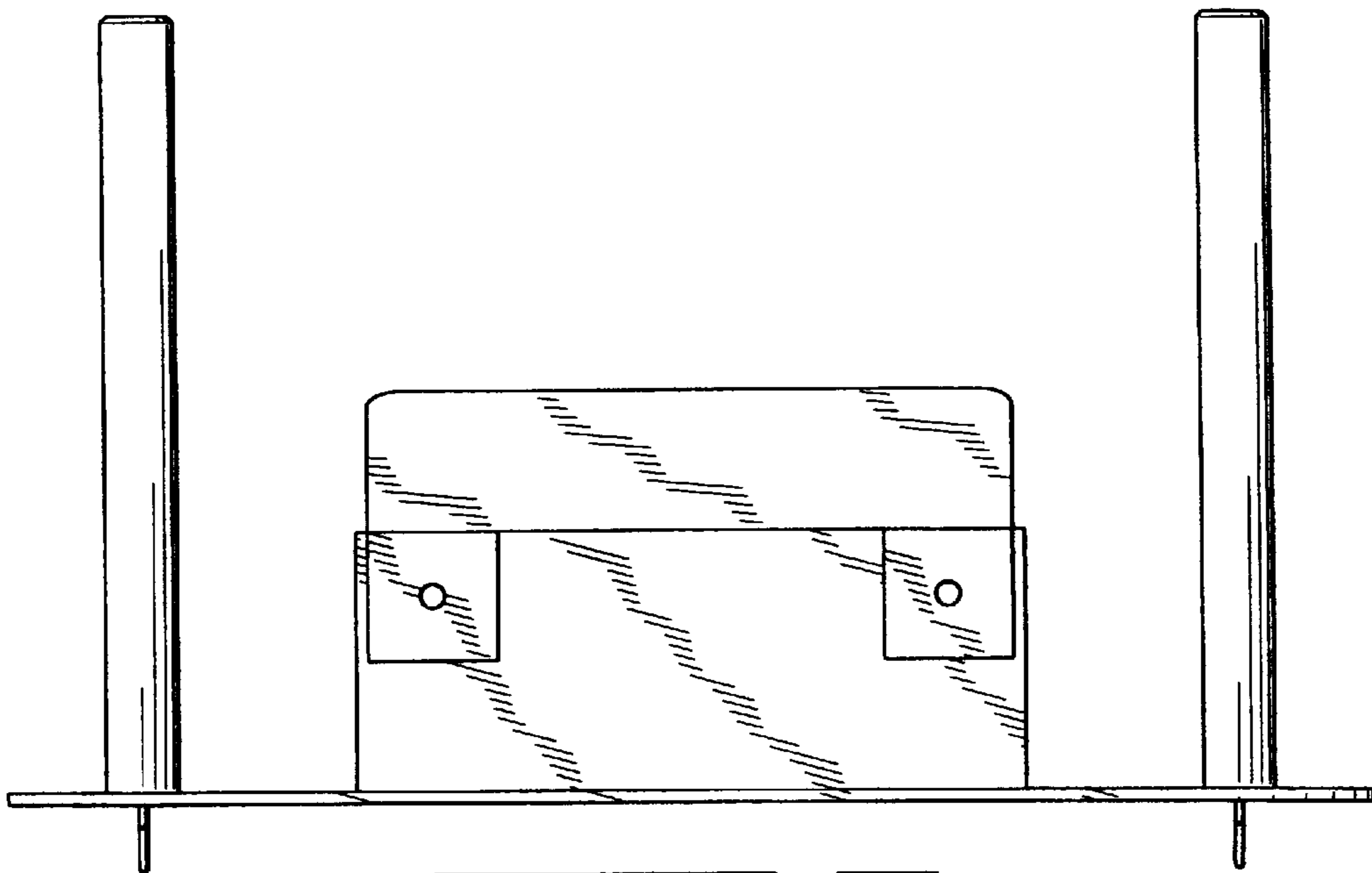


FIG. 2

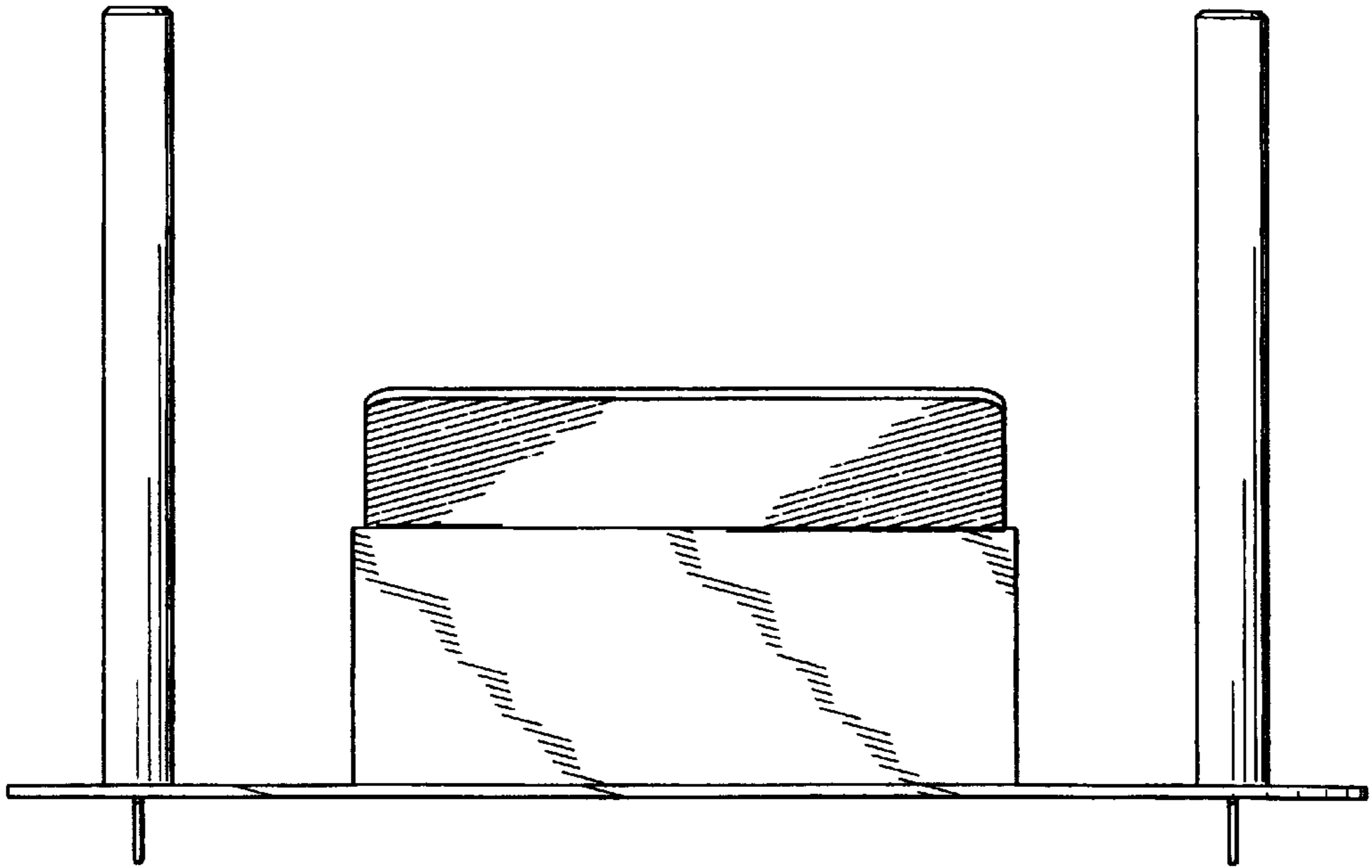


FIG. 3

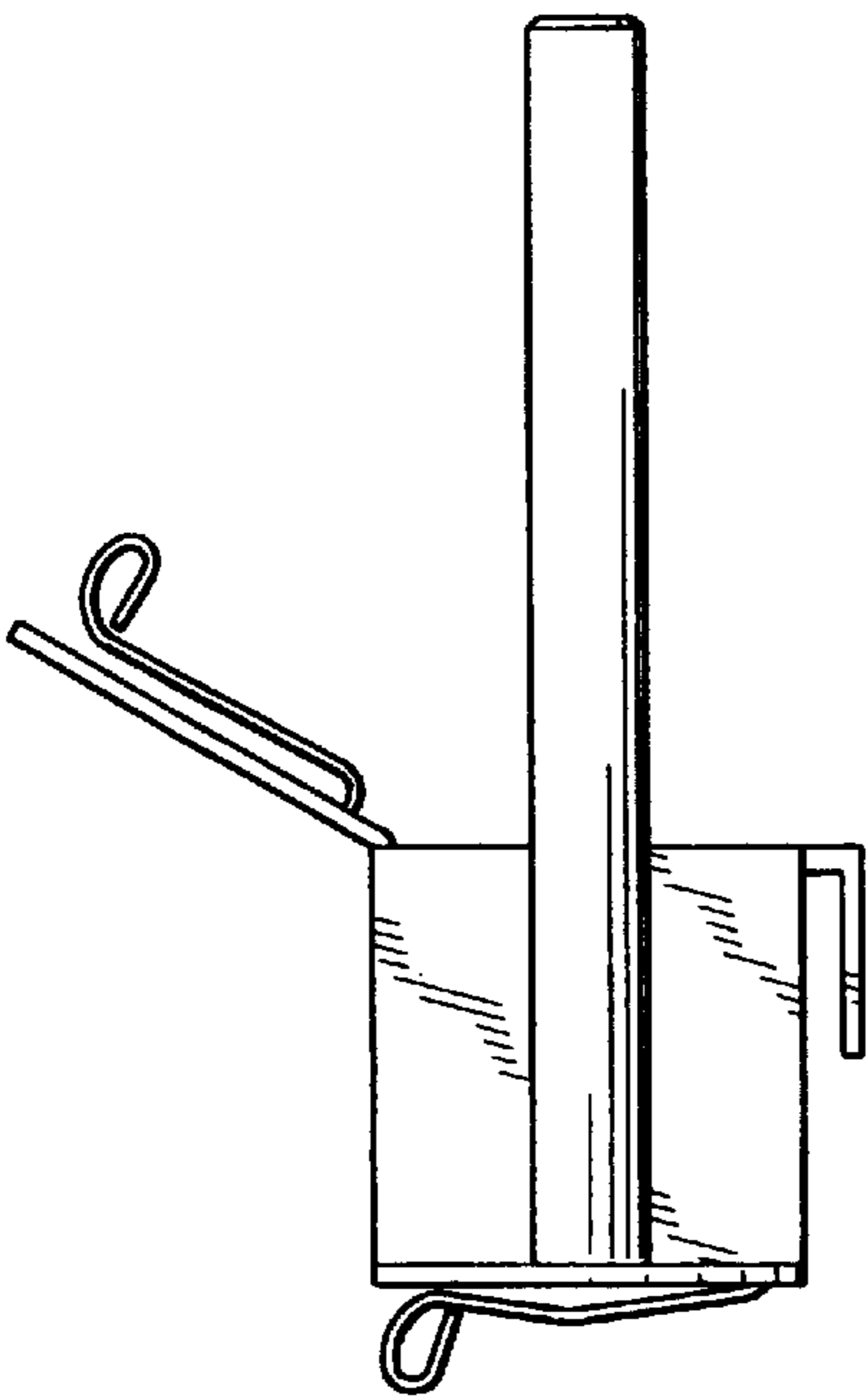


FIG. 4

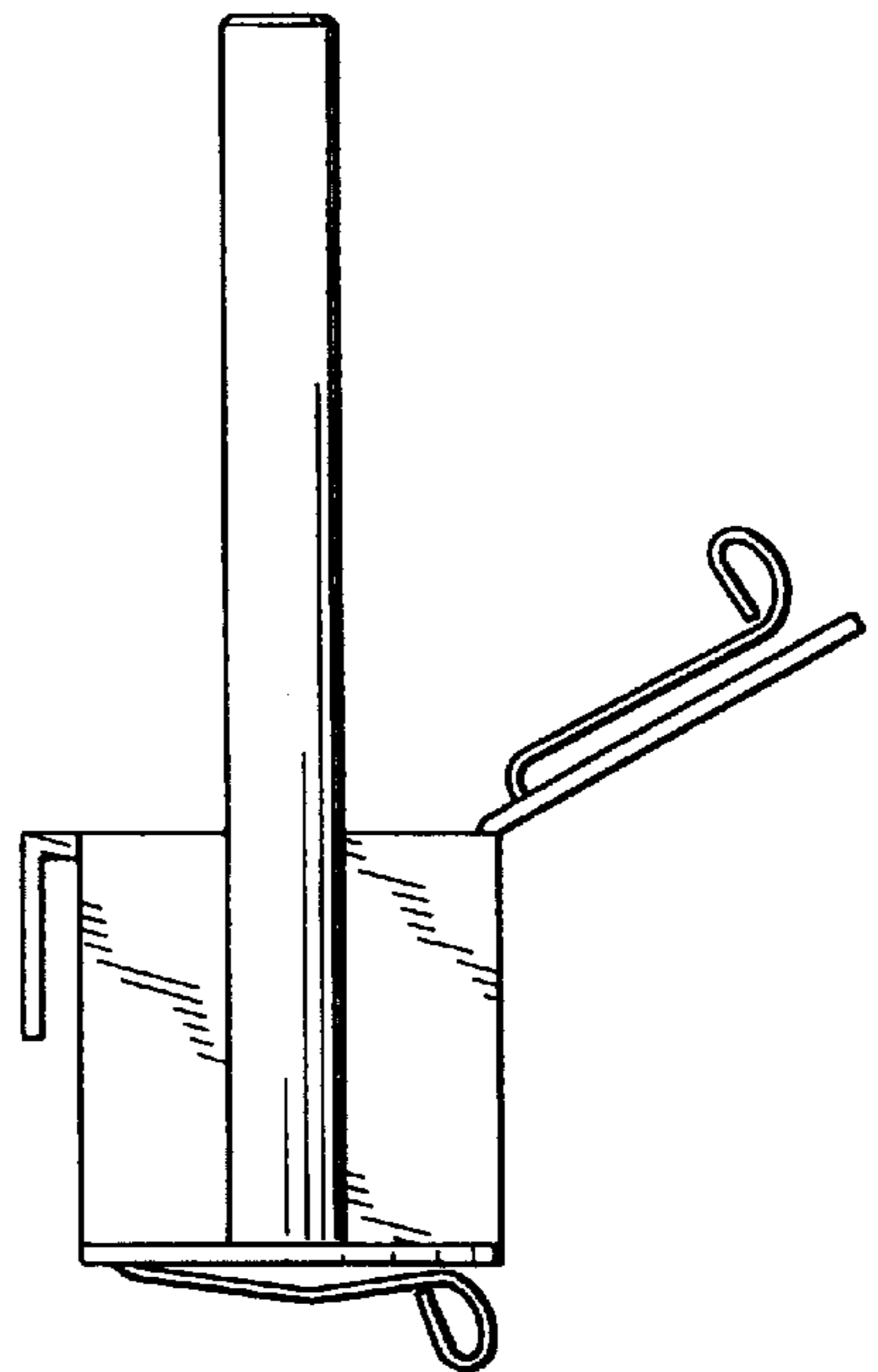


FIG. 5

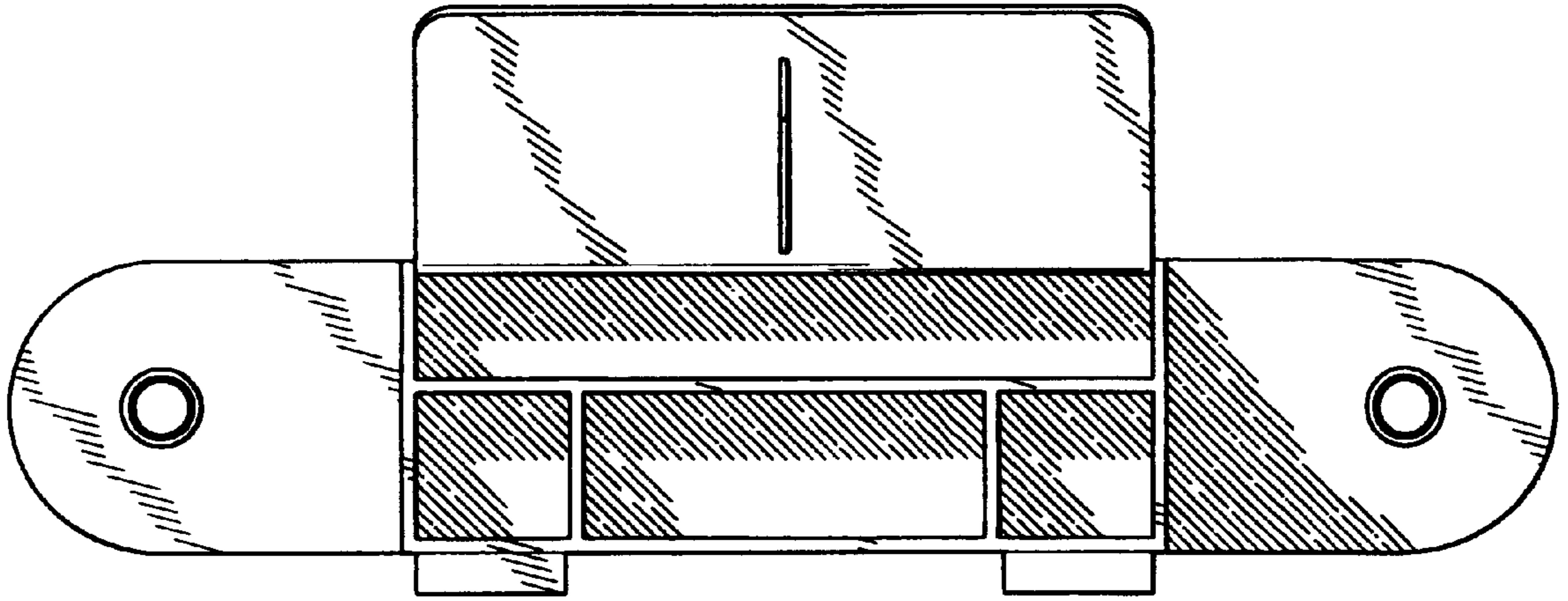


FIG. 6

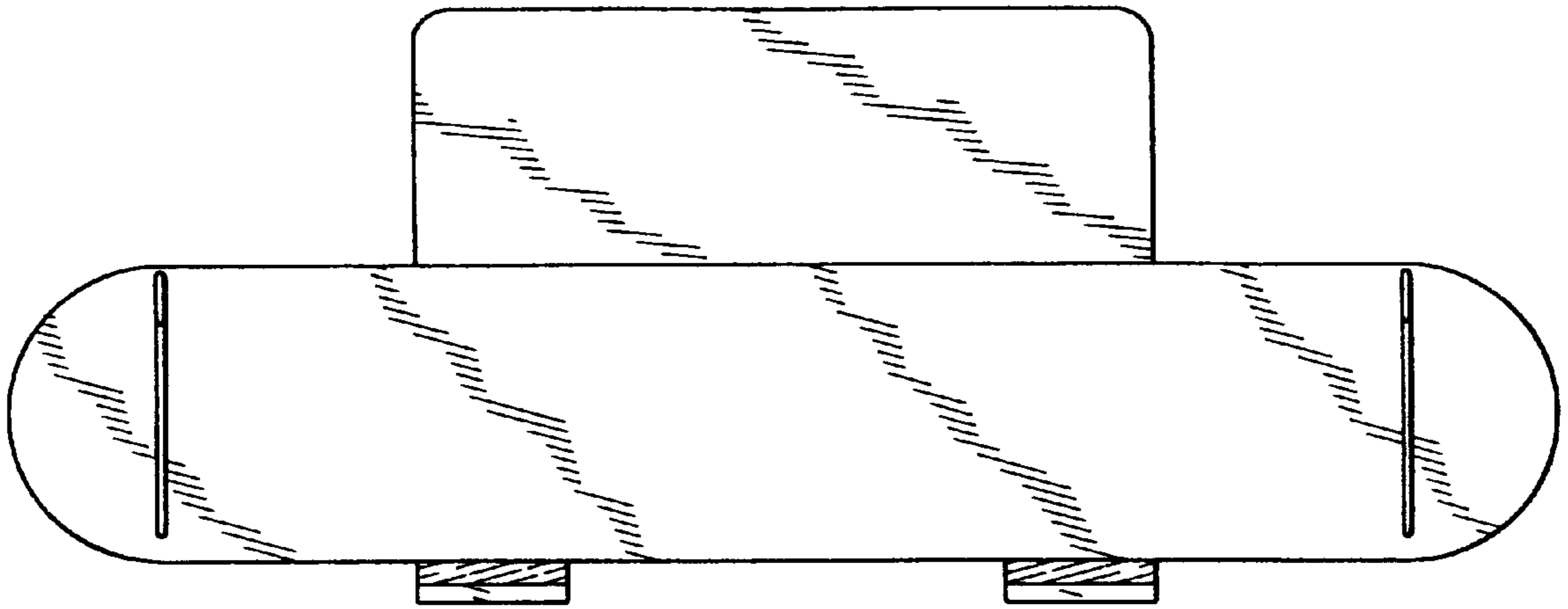


FIG. 7