



US00D428285S

United States Patent [19]

Hughes et al.

[11] Patent Number: Des. 428,285

[45] Date of Patent: ** Jul. 18, 2000

[54] CABINET DRAWER GUIDE ASSEMBLY

5,449,231 9/1995 Lin 312/334.18

[75] Inventors: Jeffrey T. Hughes, Winston-Salem;
Richard D. Barnes, High Point;
Ronald G. Campbell, Archdale;
Gordon S. Severt, Winston-Salem;
Clifford L. McLaggan, High Point, all
of N.C.

FOREIGN PATENT DOCUMENTS

1271269 of 1961 France 312/334.21

[73] Assignee: The Hughes Supply Co. of
Thomasville, Inc., Thomasville, N.C.

Primary Examiner—Cathron B. Matta

[**] Term: 14 Years

[57] CLAIM

[21] Appl. No.: 29/092,355

The ornamental design for a cabinet drawer guide assembly,
as shown and described.

[22] Filed: Aug. 17, 1998

DESCRIPTION

[51] LOC (7) Cl. 06-06

[52] U.S. Cl. D6/510; D6/491

[58] Field of Search D6/491, 510, 511;
108/152; 248/225.2; 312/111, 245, 263,
334.18, 339

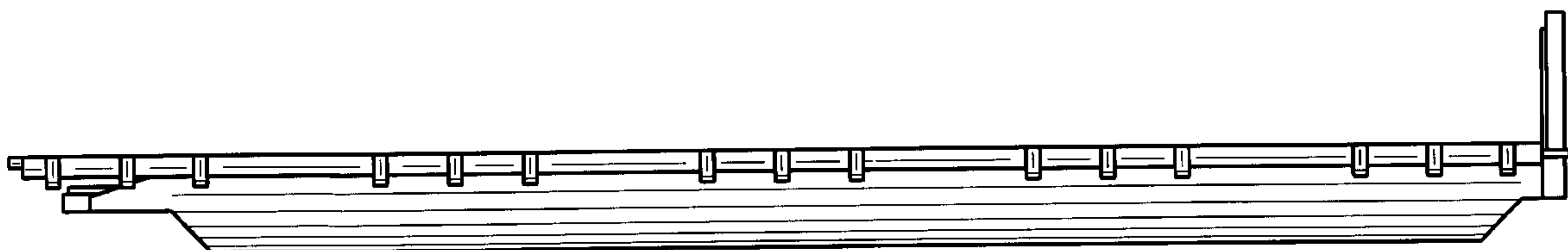
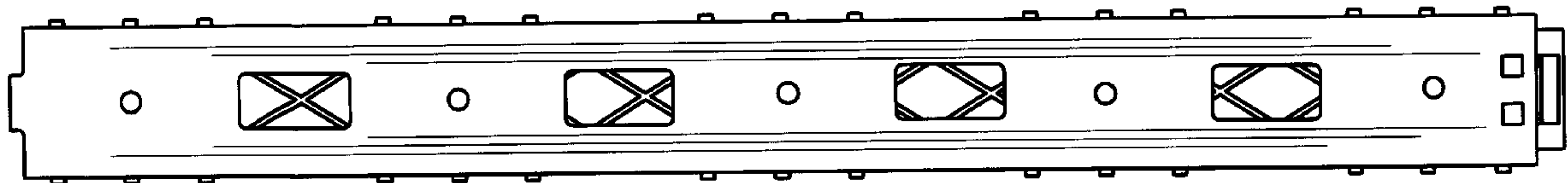
FIG. 1 is a bottom plan view of a cabinet drawer guide assembly embodying our design in the closed position; FIG. 2 is a top plan view of the assembly of FIG. 1; FIG. 3 is a left side elevational view of the assembly of FIG. 2, the right side being a mirror image thereof; FIG. 4 is a rear elevational view of the assembly of FIG. 2; FIG. 5 is a front elevational view of the assembly of FIG. 2; FIG. 6 is a cross-sectional view of the assembly along lines 6—6 of FIG. 1 and FIG. 7; FIG. 7 is a top plan view of the rail of the assembly removed from the guide and shown separately for completeness of illustration; and, FIG. 8 is a bottom plan view of the guide of the assembly with the rail removed and shown separately for completeness of illustration.

[56] References Cited

U.S. PATENT DOCUMENTS

- D. 290,670 7/1987 Nathan et al. D6/511
- D. 291,636 9/1987 Rechberg D6/510
- 1,686,783 10/1928 Wolters .
- 4,927,216 5/1990 Boda 312/339

1 Claim, 3 Drawing Sheets



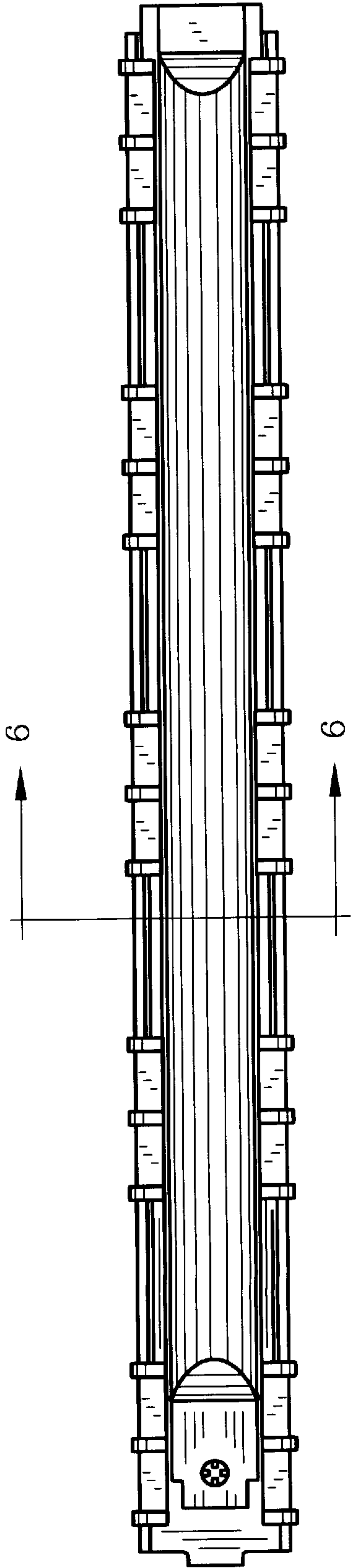


FIG. 1

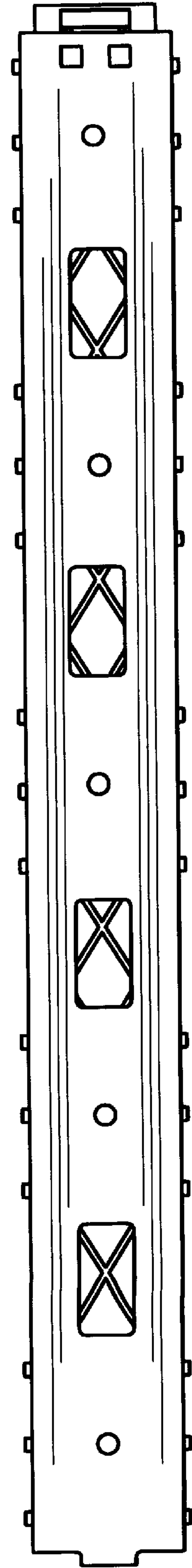


FIG. 2

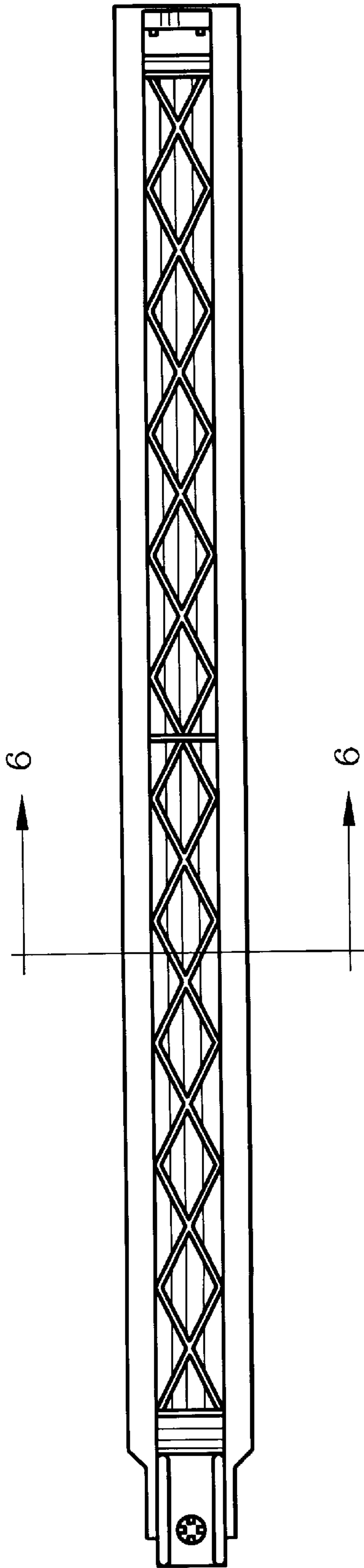


FIG. 7

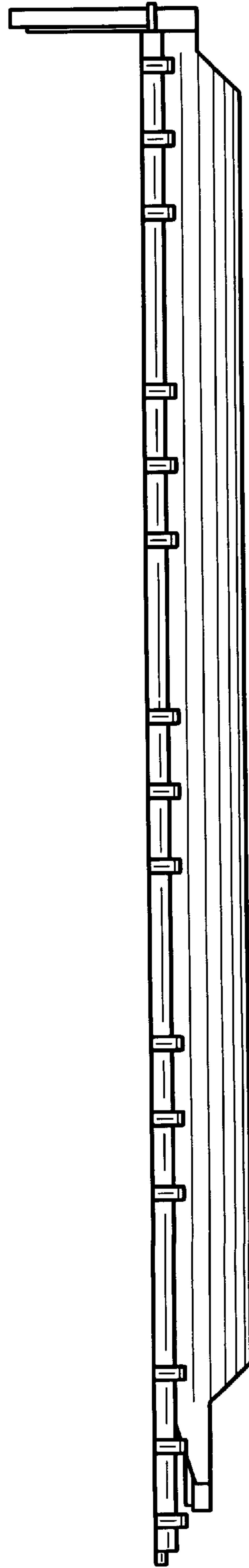


FIG. 3

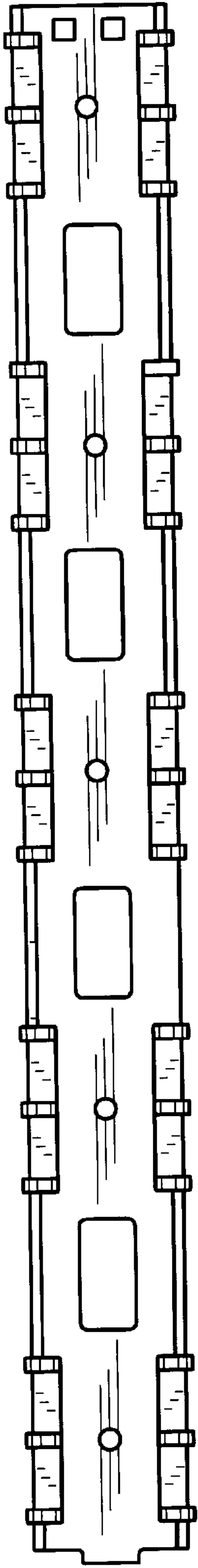


FIG. 8

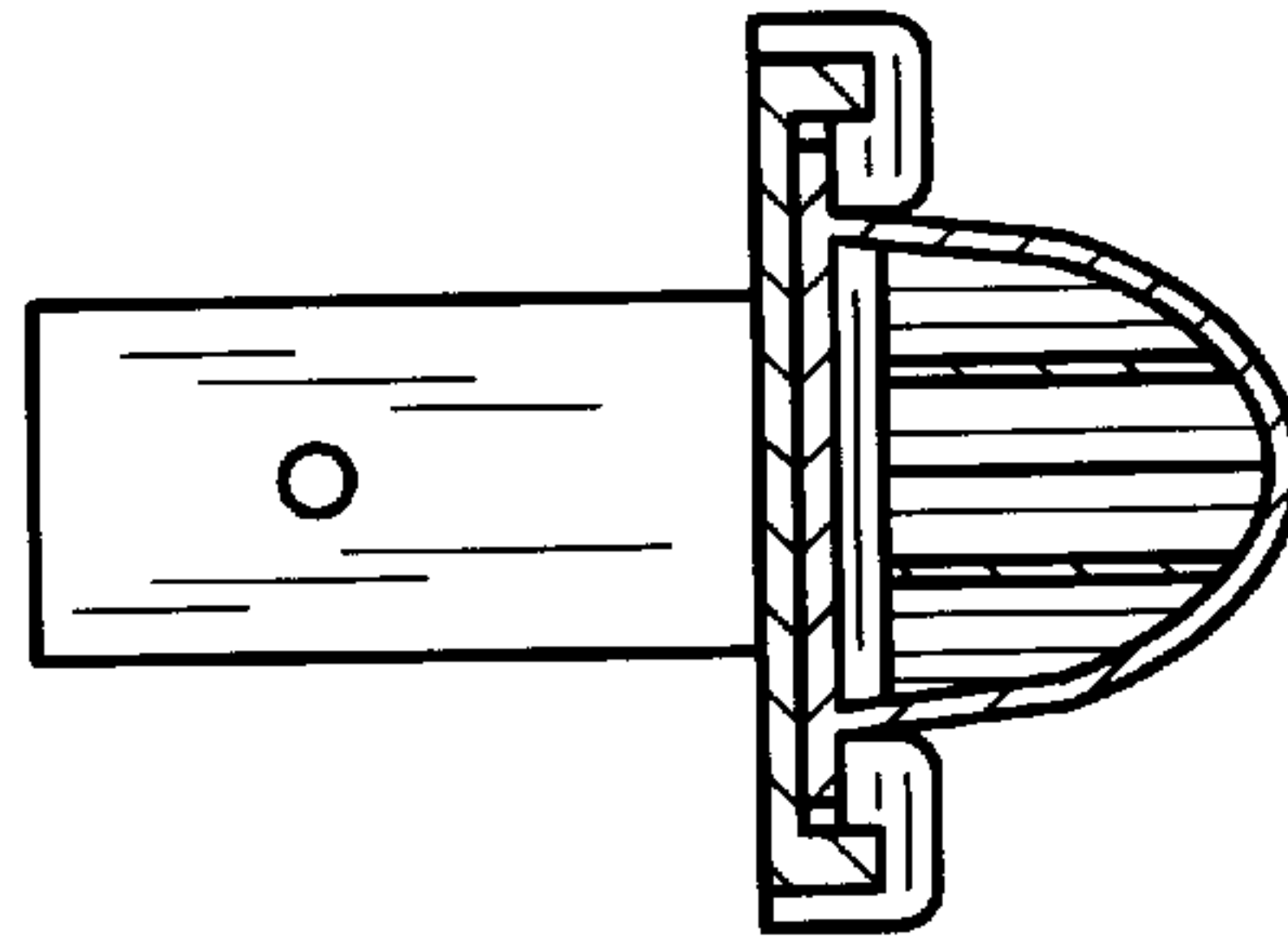


FIG. 6

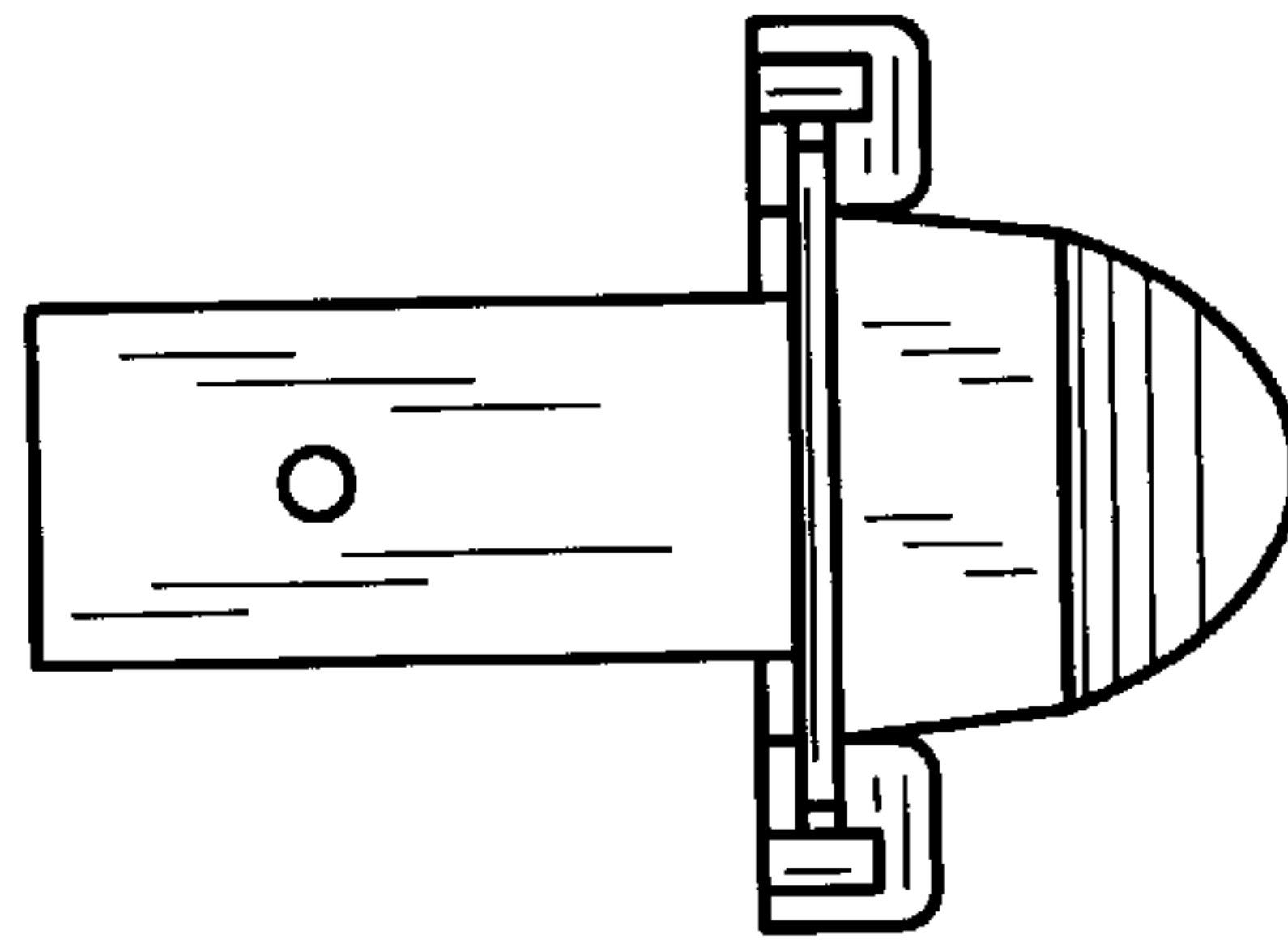


FIG. 5

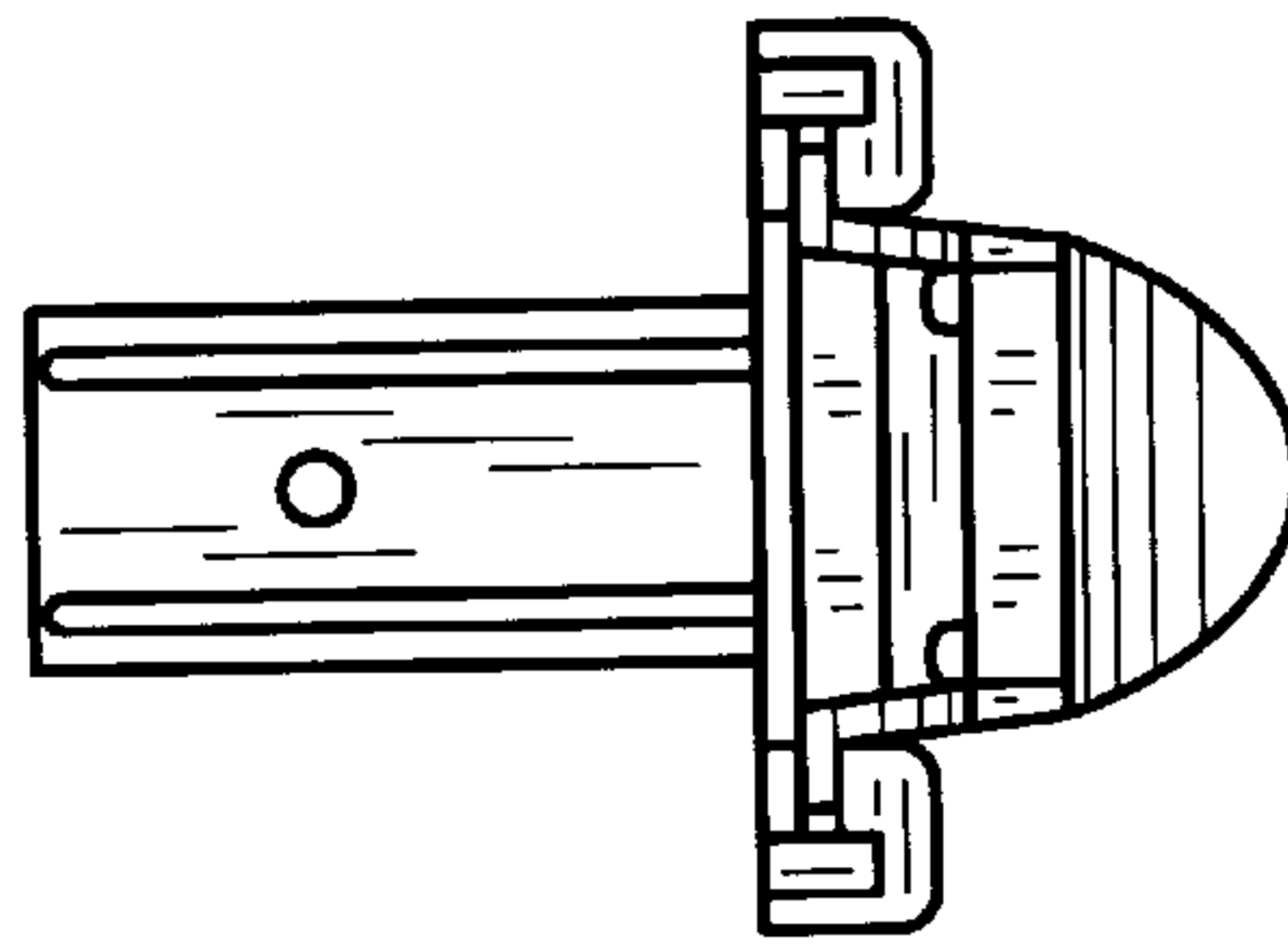


FIG. 4