



US00D428283S

United States Patent [19]

[11] Patent Number: **Des. 428,283**

Zaidman

[45] Date of Patent: **** Jul. 18, 2000**

[54] **COMBINED FURNITURE FEET AND APRON**

Primary Examiner—Carmen H. Vales-Lado
Attorney, Agent, or Firm—Michael Best & Friedrich LLP

[75] Inventor: **S. Paul Zaidman**, Winnipeg, Canada

[73] Assignee: **Palliser Furniture Ltd.**, Canada

[**] Term: **14 Years**

[57] **CLAIM**

The ornamental design for a combined furniture feet and apron, as shown and described.

[21] Appl. No.: **29/085,840**

DESCRIPTION

[22] Filed: **Mar. 31, 1998**

[51] **LOC (7) Cl.** **06-06**

FIG. 1 is a front elevational view of a combined furniture feet and apron showing my new design, the rear being identical thereto;

[52] **U.S. Cl.** **D6/495**

FIG. 2 is a side elevational view;

[58] **Field of Search** D6/432-448, 491,
D6/495; 312/204, 257

FIG. 3 is an enlarged front elevational view of the right foot shown in FIG. 1;

[56] **References Cited**

U.S. PATENT DOCUMENTS

D. 152,896	3/1949	Lubberts et al.	D6/495
D. 208,029	7/1967	Mulder	D6/446
D. 339,938	10/1993	Fisher	D6/492
D. 346,916	5/1994	Ball	D6/445

FIG. 4 is a front elevational view of second embodiment of the combined furniture feet and apron shown in FIG. 1, the rear being identical thereto;

FIG. 5 is an enlarged front elevational view of the right foot shown in FIG. 4; and,

OTHER PUBLICATIONS

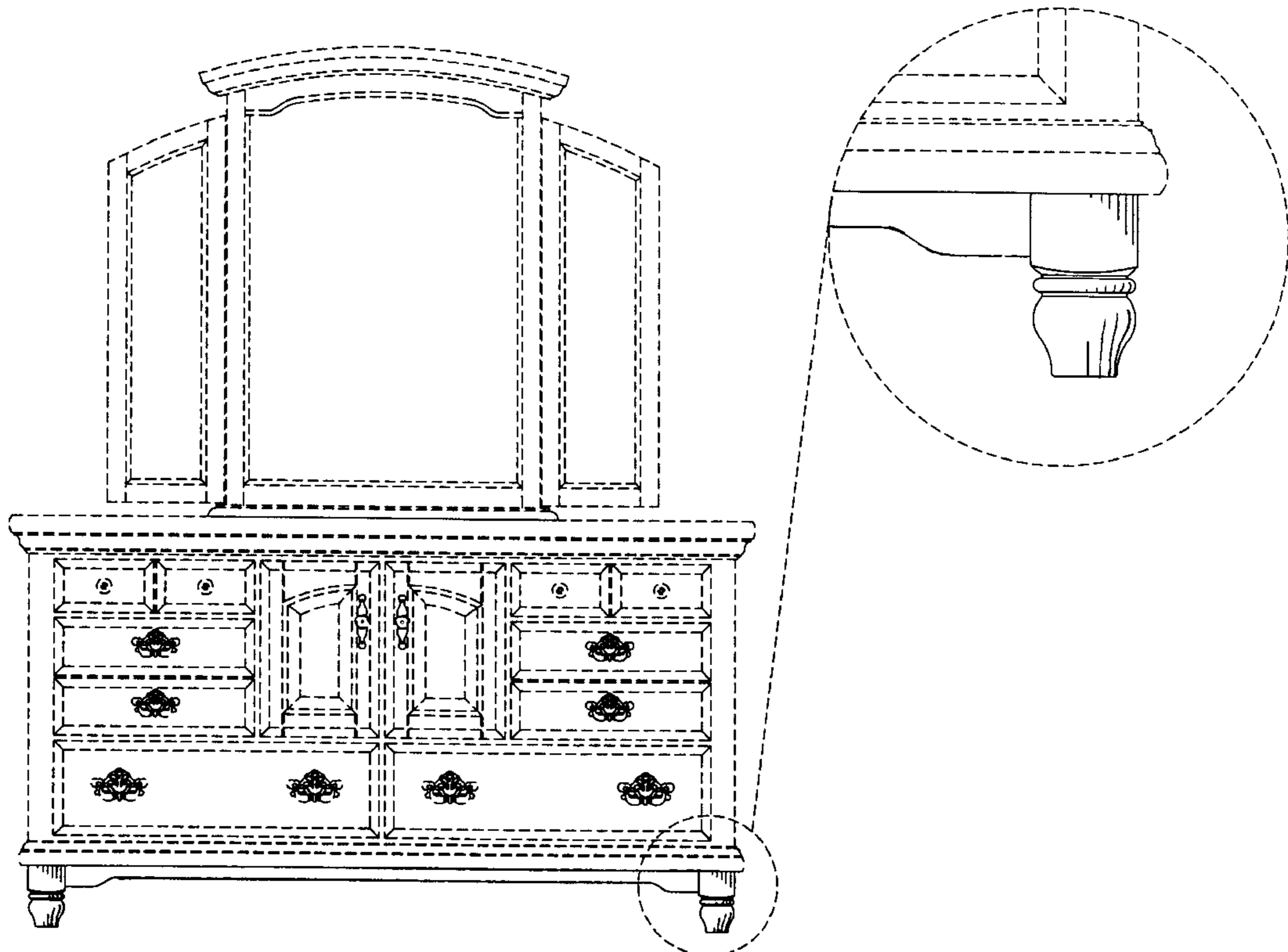
Photographs—Series—282—A(r), B(r), C and E—Country Master Bedroom Sundance Pine by Palliser Furniture Ltd. (Dec. 1996).

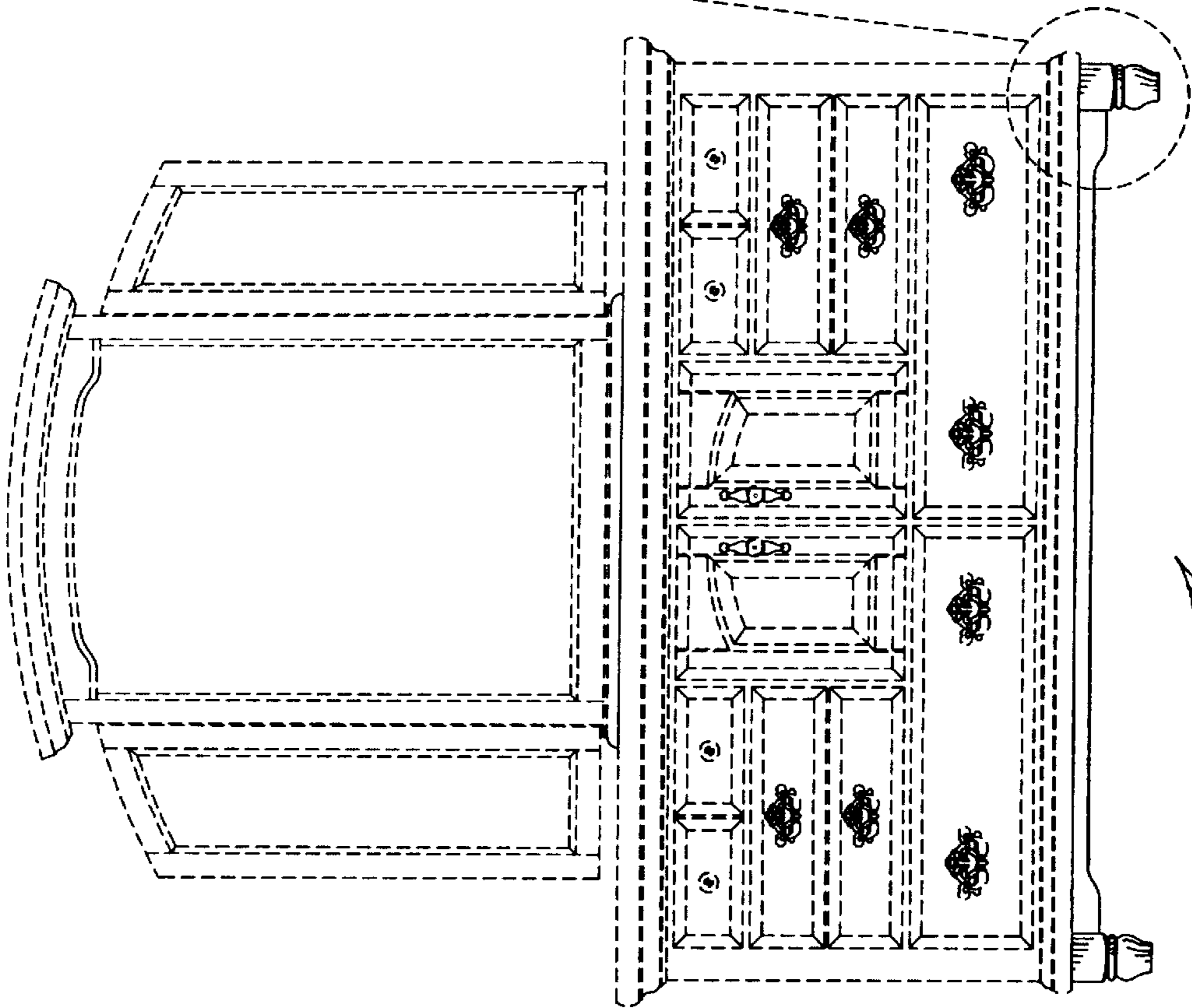
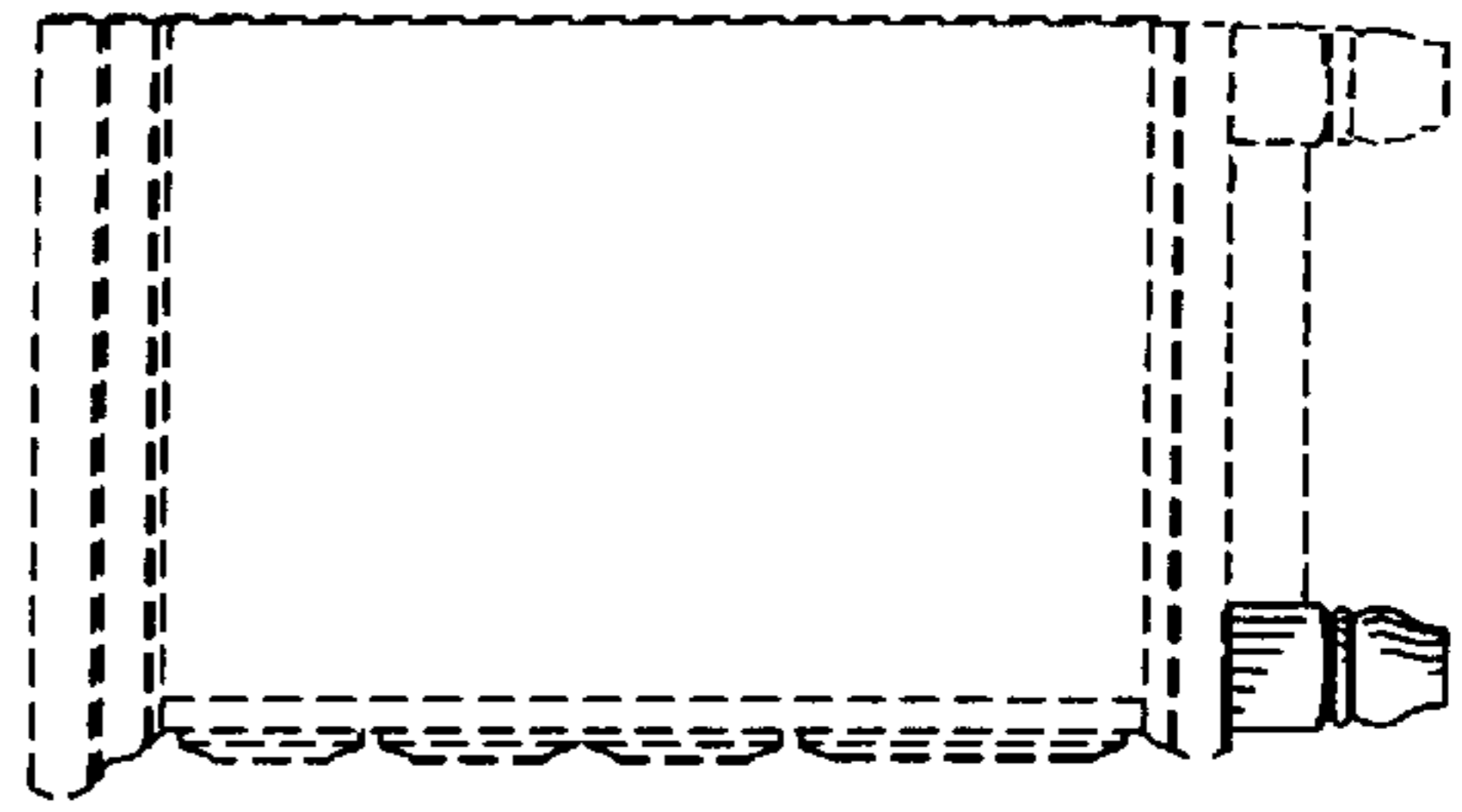
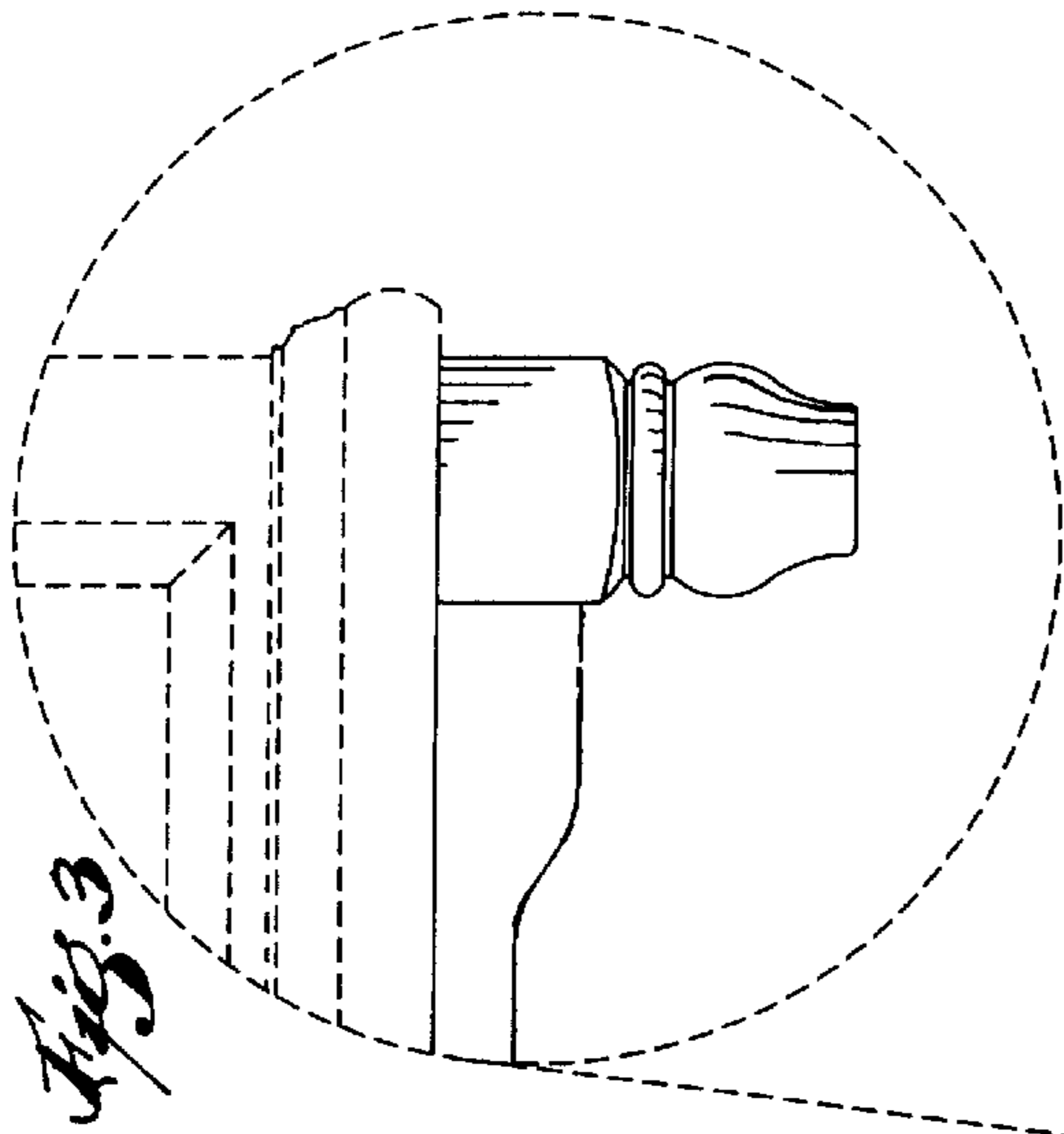
Photograph—Series—284—Sundance Pine by Palliser Furniture Ltd. (Sep. 1997) and Series 284—A—Casual Country Master Bedroom Sundance Pine by Palliser Furniture Ltd. (May 1997).

FIG. 6 is a enlarged side elevational view of FIG. 4.

The bottom of the combined furniture feet and apron forms no part of the claimed design. The broken lines shown throughout the views are for illustrative purposes only.

1 Claim, 3 Drawing Sheets





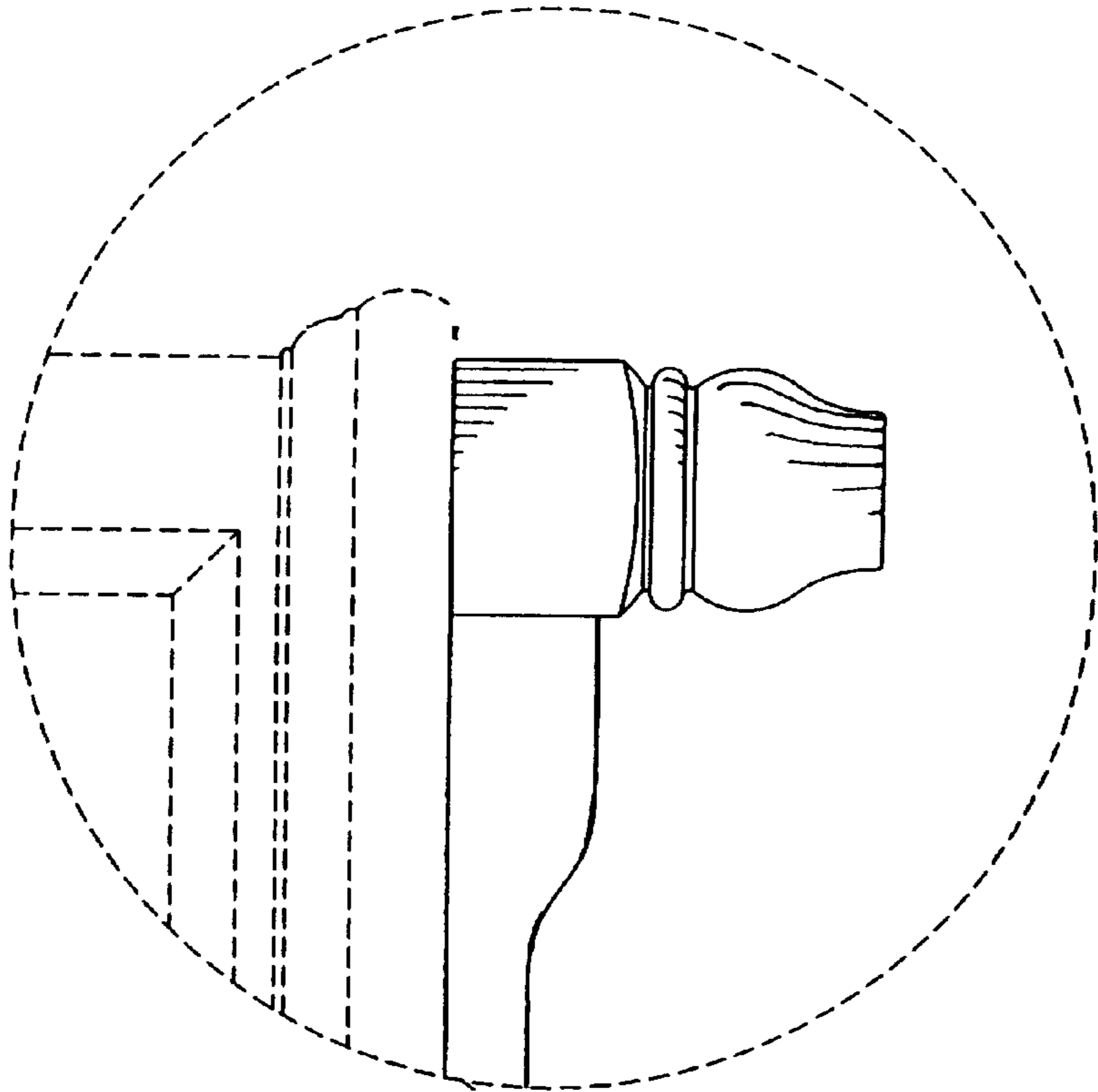


Fig. 5

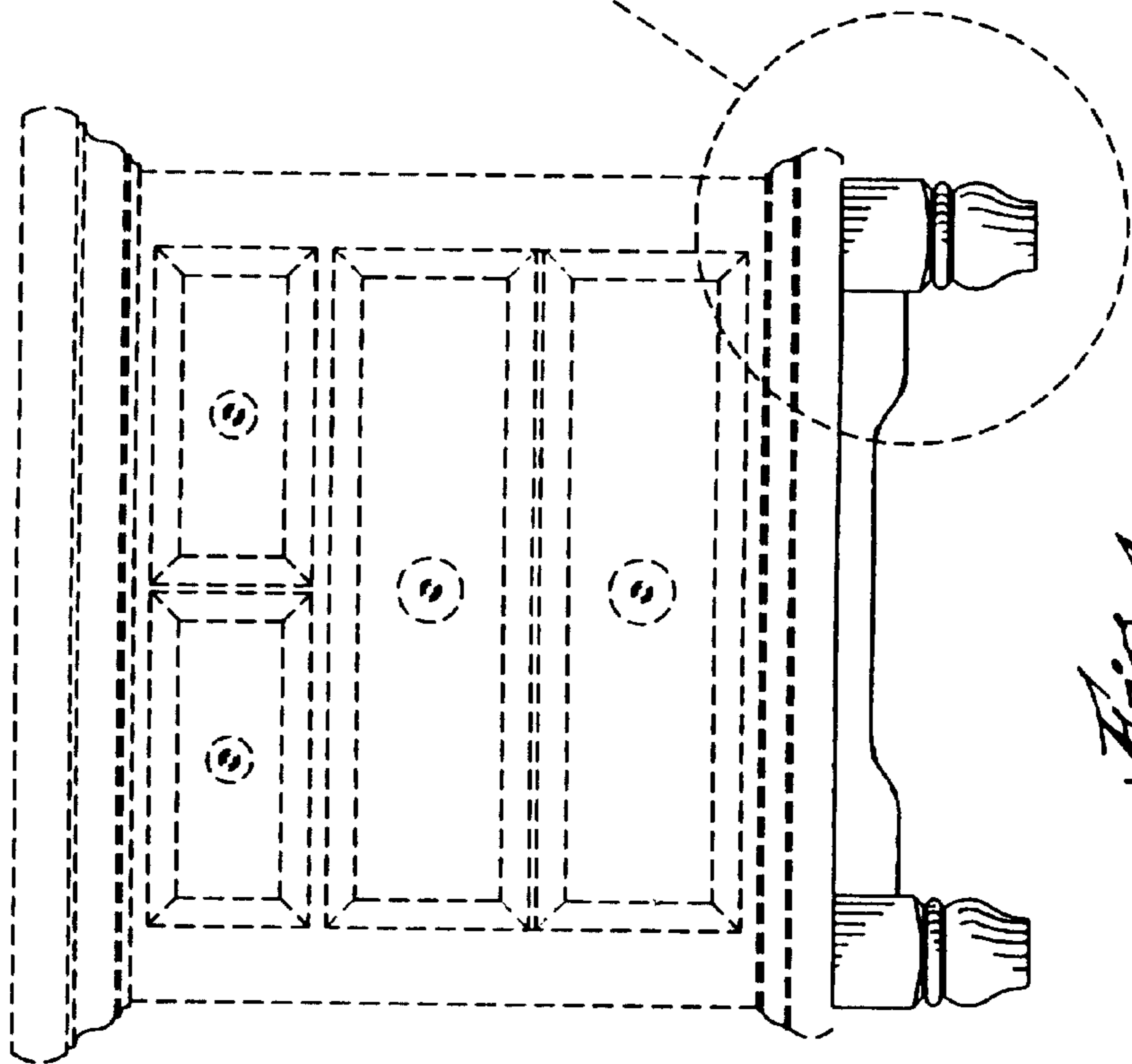


Fig. A

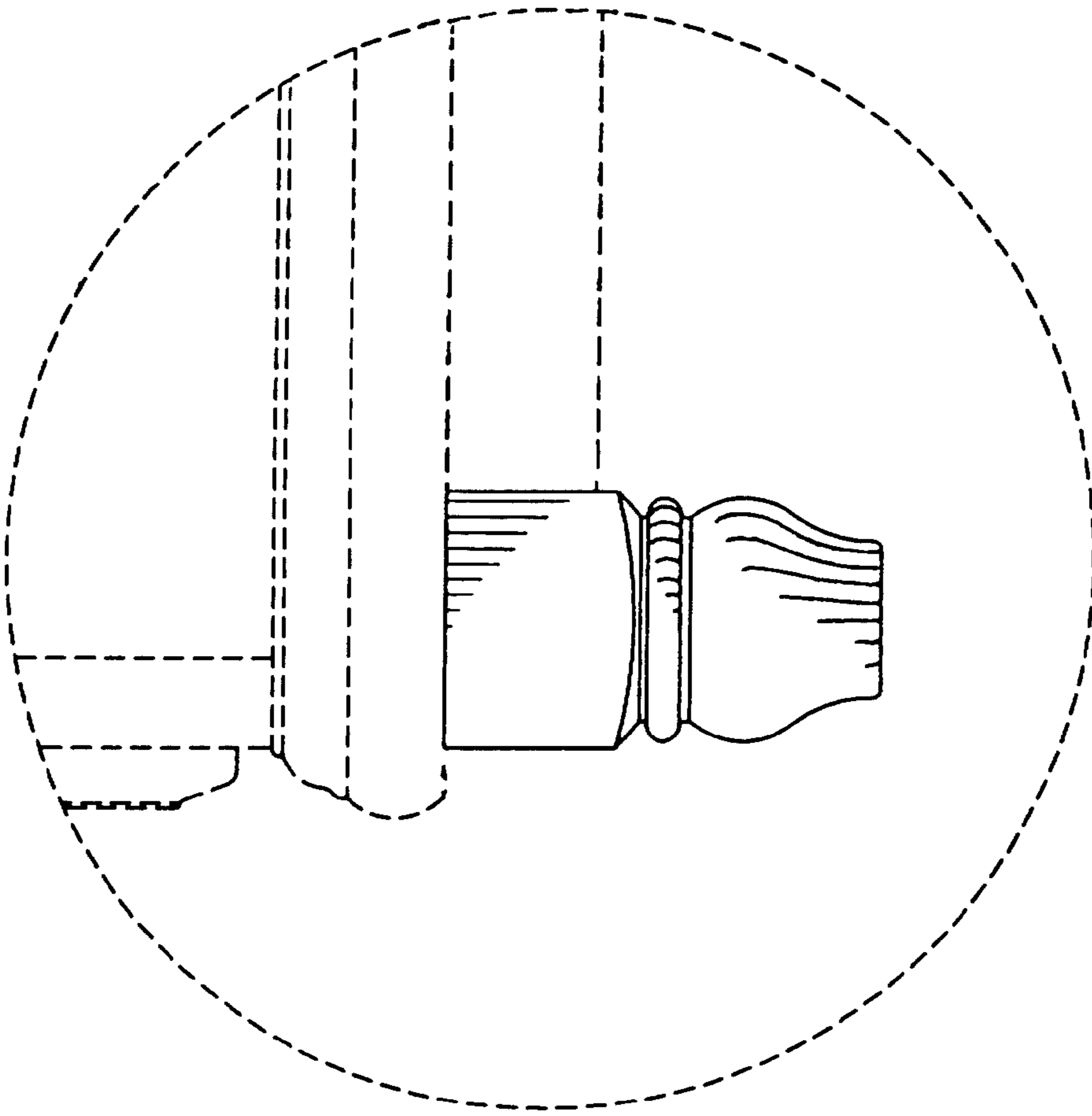


Fig. 6