



US00D428280S

United States Patent [19]

Walters, III et al.

[11] Patent Number: Des. 428,280

[45] Date of Patent: ** Jul. 18, 2000

[54] DRESSER

[75] Inventors: **Guy A. Walters, III**, High Point; **Avis Edward Tobin, Jr.**, Thomasville, both of N.C.

[73] Assignee: **Thomasville Furniture Industries, Inc.**, Thomasville, N.C.

[**] Term: **14 Years**

[21] Appl. No.: **29/094,528**

[22] Filed: **Oct. 5, 1998**

[51] LOC (7) Cl. **06-04**

[52] U.S. Cl. **D6/446**

[58] Field of Search D6/432-448; 312/204, 312/257

[56] References Cited

U.S. PATENT DOCUMENTS

D. 141,376	5/1945	Miller	D6/446
D. 170,856	11/1953	Gershun	D6/446
D. 176,404	12/1955	Carr	D6/446
D. 184,935	4/1959	Herrmann	D6/446
D. 193,717	10/1962	Deaton	D6/446
D. 401,443	11/1998	Zaidman	D6/446

OTHER PUBLICATIONS

Bonmarche, p. 17; double dresser on bottom left of page, Oct. 1994.

Chest, Artistix Brochure, pp. 4 and 24, Thomasville Furniture Industries, Inc., 1996/1997.

Primary Examiner—Carmen H. Vales-Lado
Attorney, Agent, or Firm—Rhodes & Mason, P.L.L.C.

[57] CLAIM

The ornamental design for a dresser, as shown and described.

DESCRIPTION

FIG. 1 is a left front perspective view of a dresser showing our new design;

FIG. 2 is a side view, the opposite side being a mirror image thereof;

FIG. 3 is a front elevational view thereof;

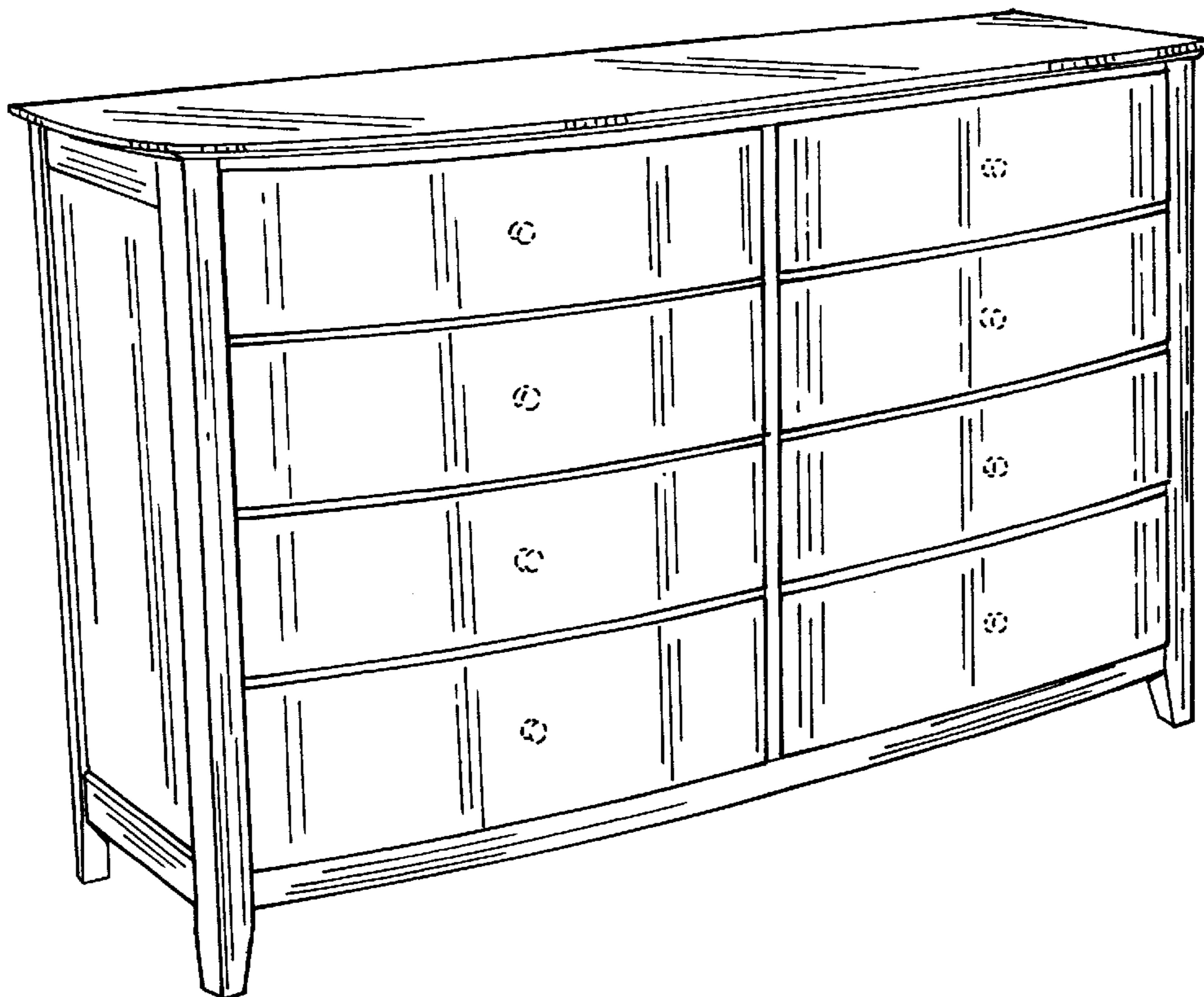
FIG. 4 is a top view thereof;

FIG. 5 is an enlarged top left partial perspective view thereof; and,

FIG. 6 is an enlarged bottom left partial perspective view.

The bottom and rear views of the design are not shown and form no part of the claimed design. The dashed lines represent environmental elements only and form no part of the claimed design.

1 Claim, 3 Drawing Sheets



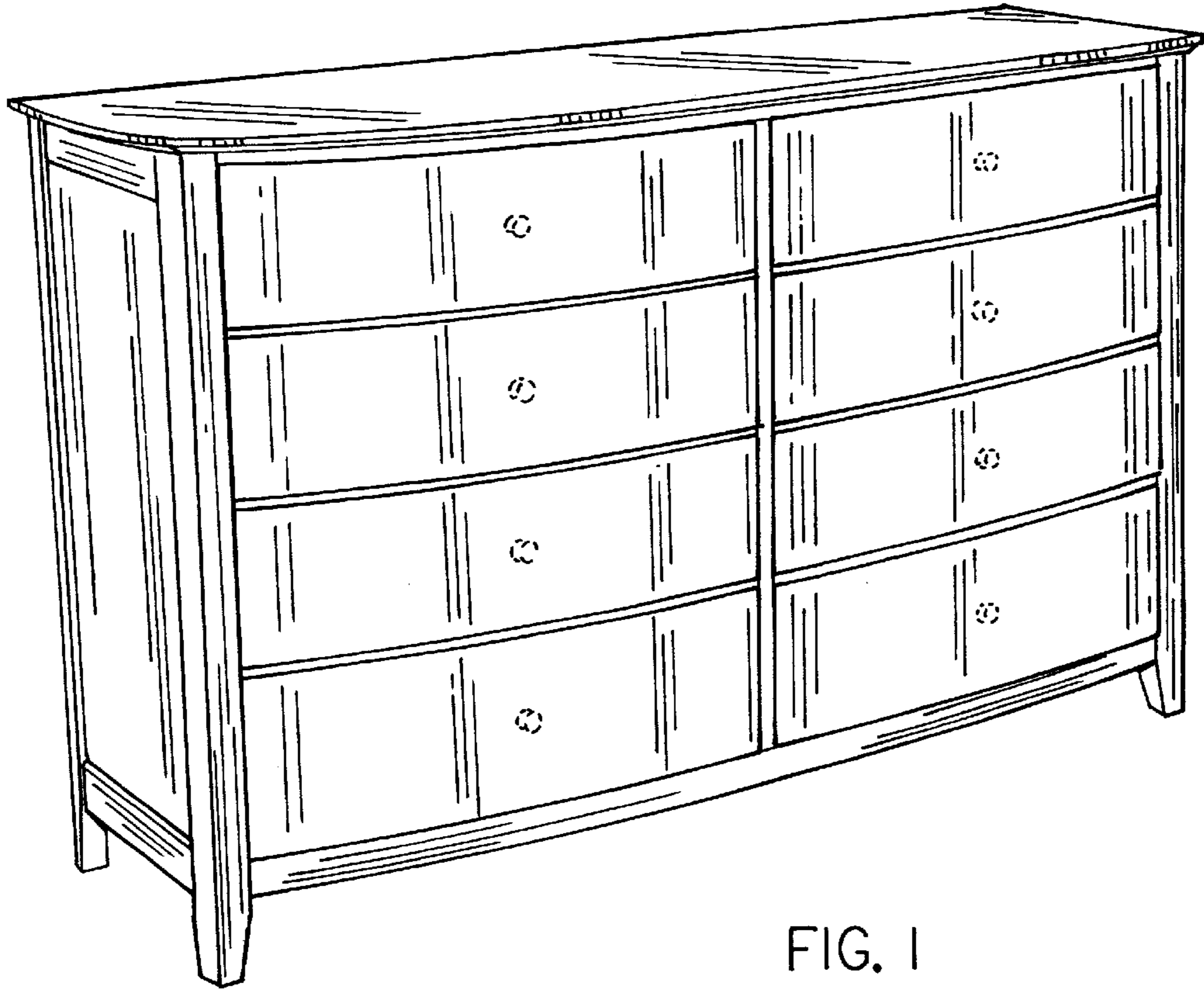
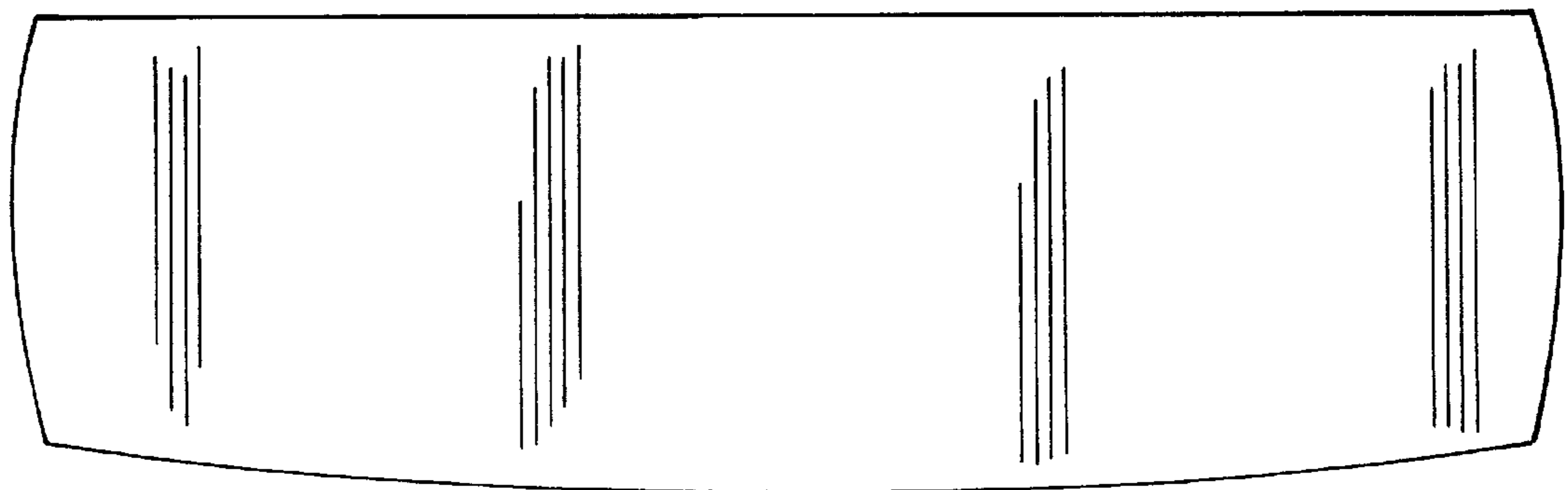


FIG. 1

FIG. 4



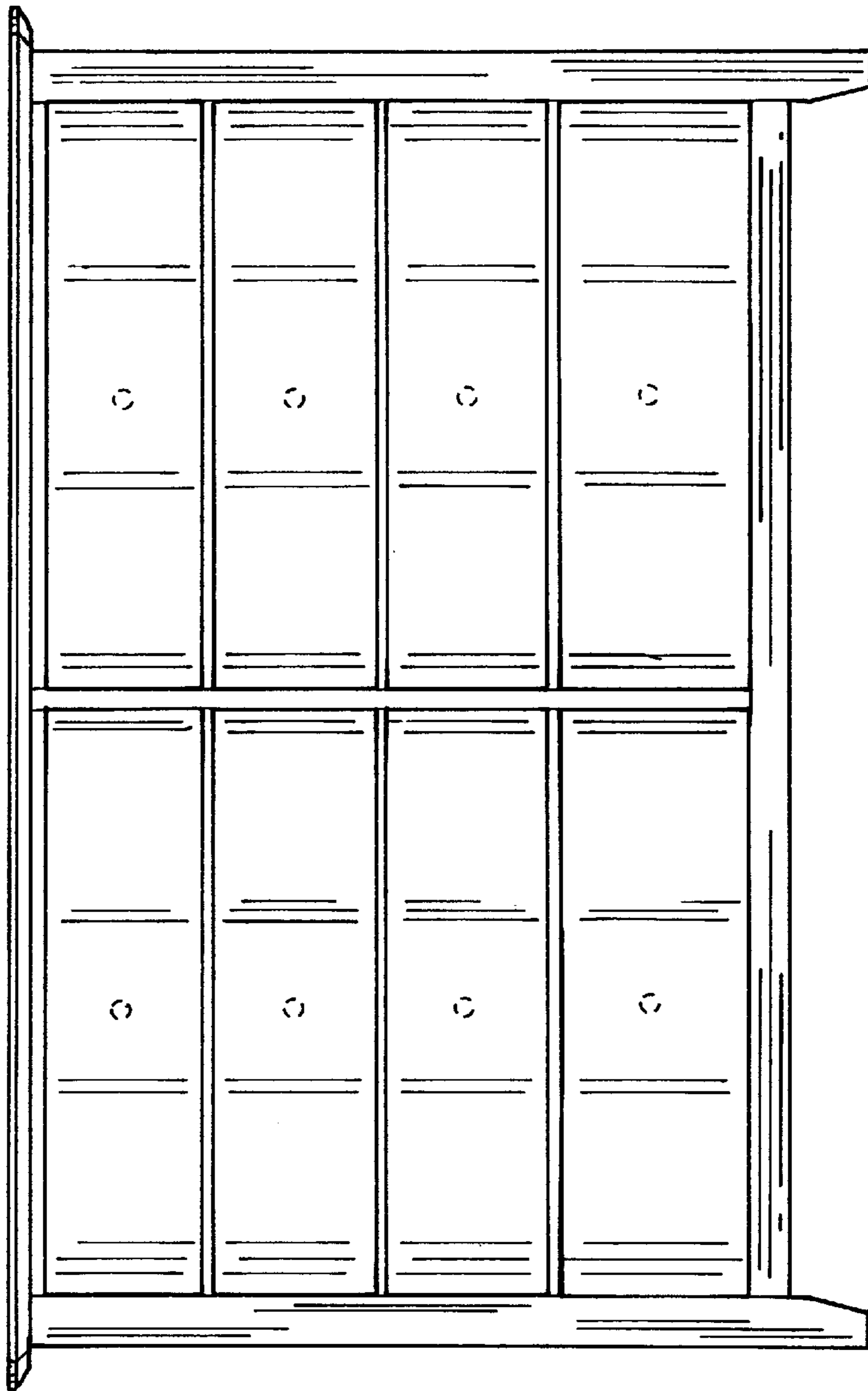


FIG. 3

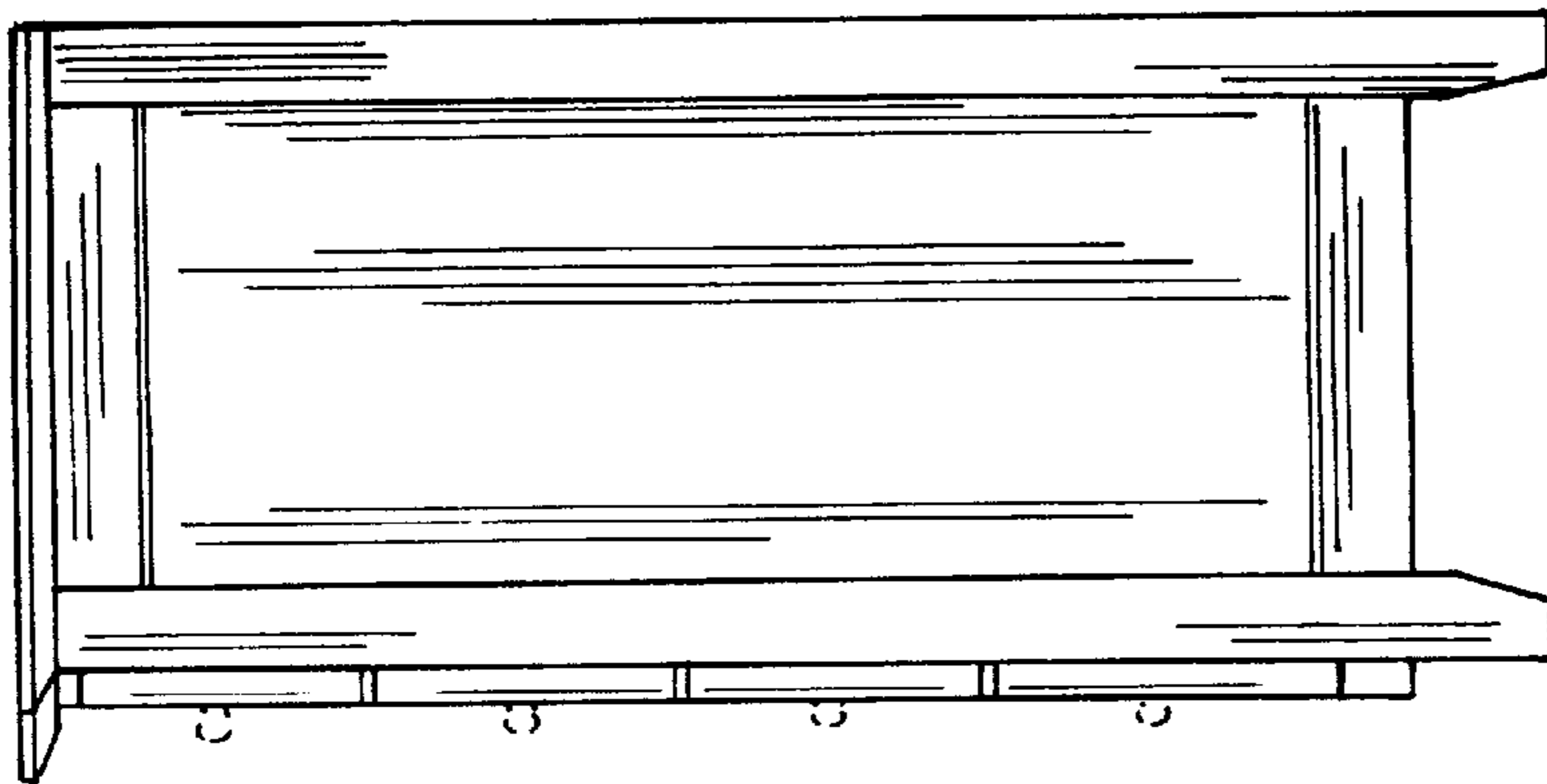


FIG. 2

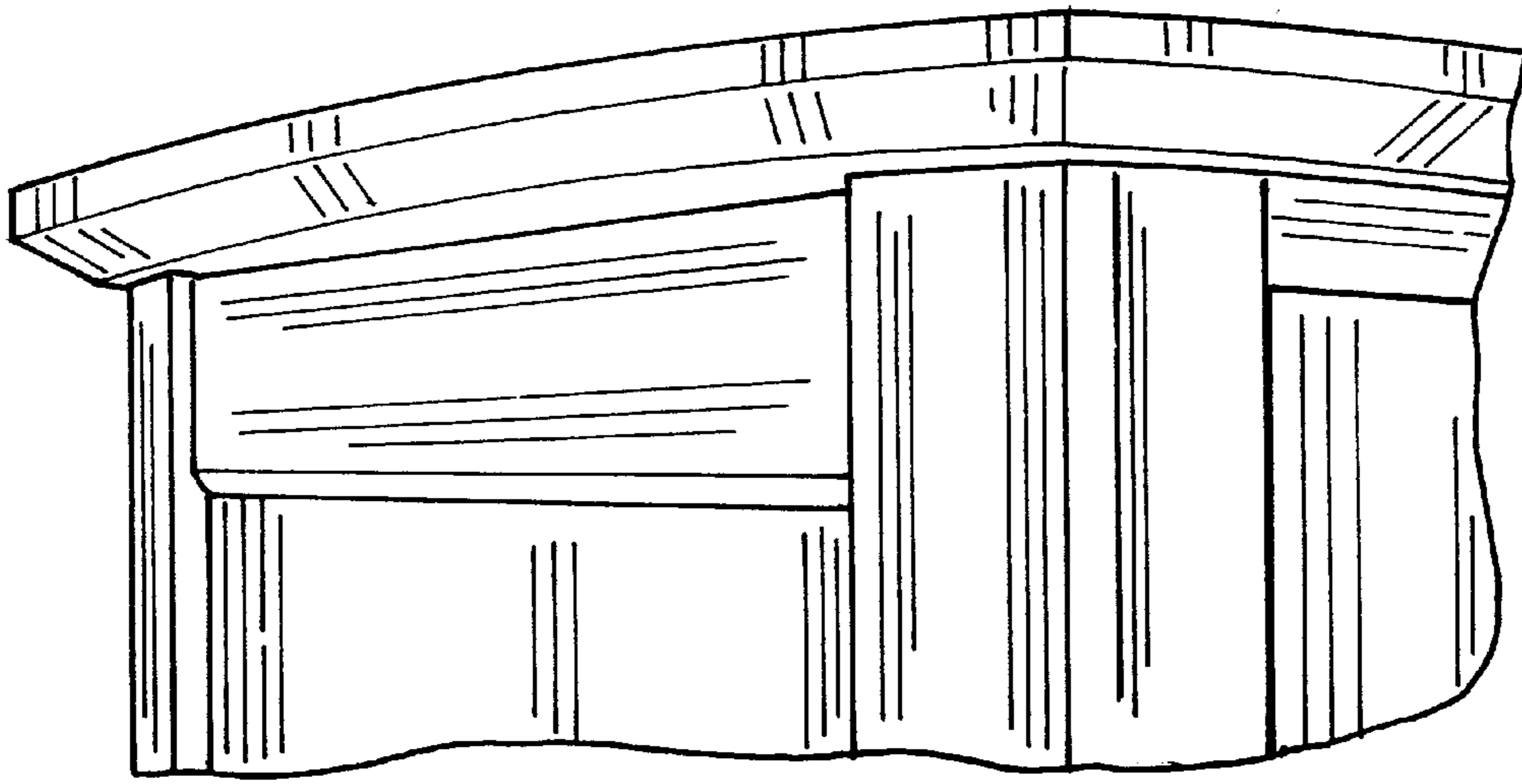


FIG. 5

FIG. 6

