



US00D428278S

United States Patent [19] Yang

[11] **Patent Number: Des. 428,278**

[45] **Date of Patent: ** Jul. 18, 2000**

[54] **COAT RACK**

[76] Inventor: **James Yang**, 18F-2, No.2, Lane 175,
Sec.3, Shiou-Lang Road, Chung-Ho
City, Taipei Hsien 235, Taiwan

[**] Term: **14 Years**

[21] Appl. No.: **29/106,443**

[22] Filed: **Jun. 17, 1999**

[51] **LOC (7) Cl.** **06-04**

[52] **U.S. Cl.** **D6/412**

[58] **Field of Search** D6/411, 412, 450,
D6/451, 458; 312/204; 211/13.1, 85.3, 205;
248/176.1; 108/59, 60

[56] **References Cited**

U.S. PATENT DOCUMENTS

D. 193,433 8/1962 Goldman et al. D6/412

D. 231,163 4/1974 Lee D6/412
D. 285,393 9/1986 Miller D6/412
D. 326,964 6/1992 Kakuk et al. D6/412

Primary Examiner—Doris V. Coles
Assistant Examiner—Linda Brooks

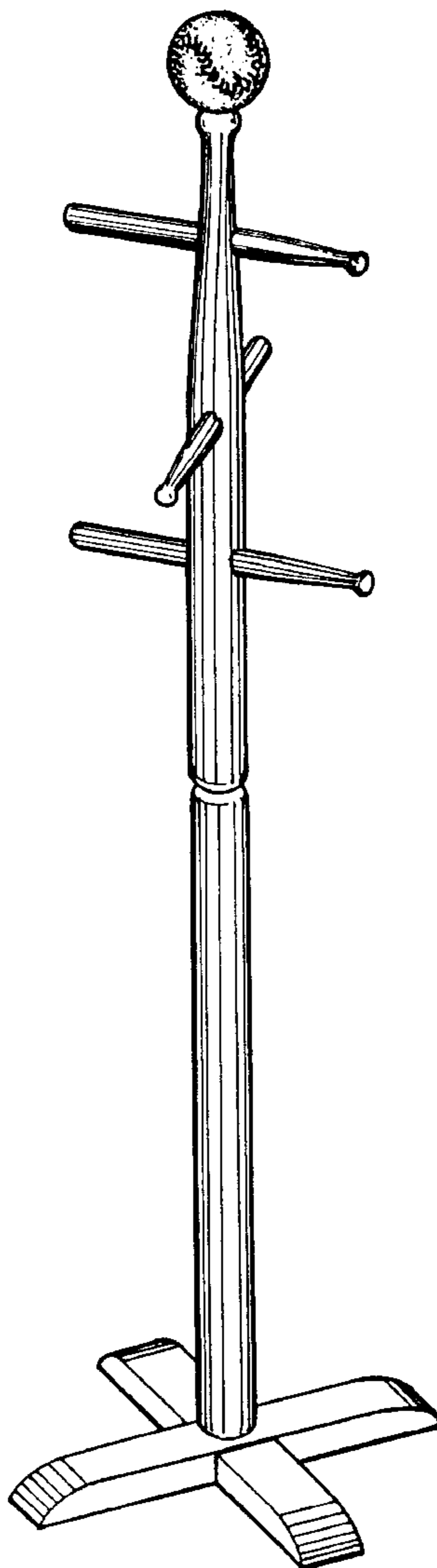
[57] **CLAIM**

The ornamental design for a coat rack, as shown and described.

DESCRIPTION

FIG. 1 is a perspective view thereof;
FIG. 2 is a front view thereof;
FIG. 3 is a back view thereof;
FIG. 4 is a right side view thereof;
FIG. 5 is a left side view thereof;
FIG. 6 is a top view thereof; and,
FIG. 7 is a bottom view thereof.

1 Claim, 4 Drawing Sheets



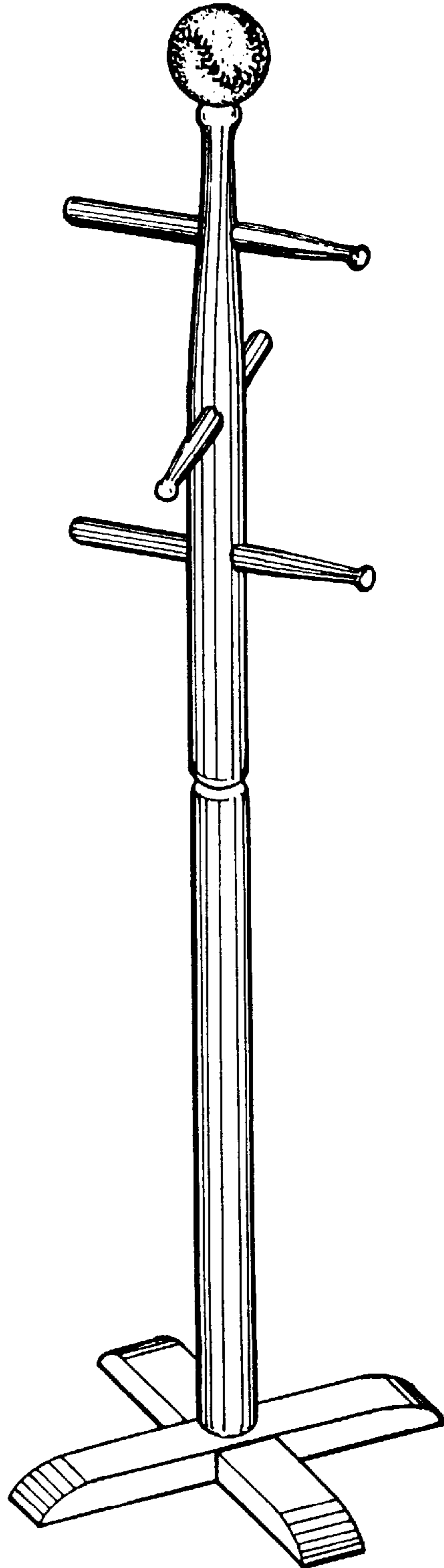


FIG. 1

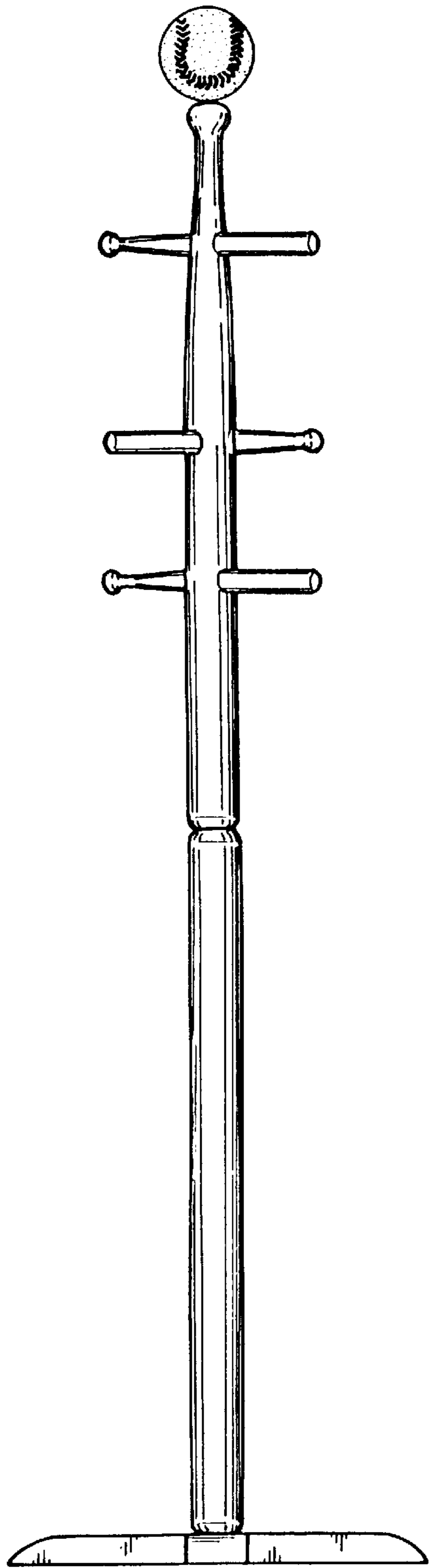


FIG.3

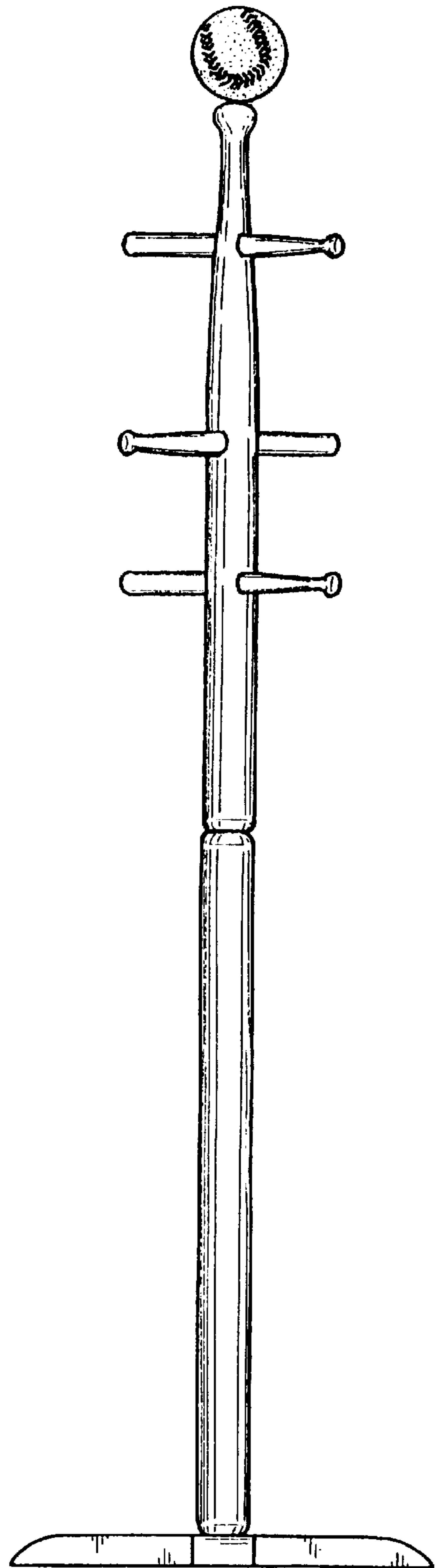


FIG.2

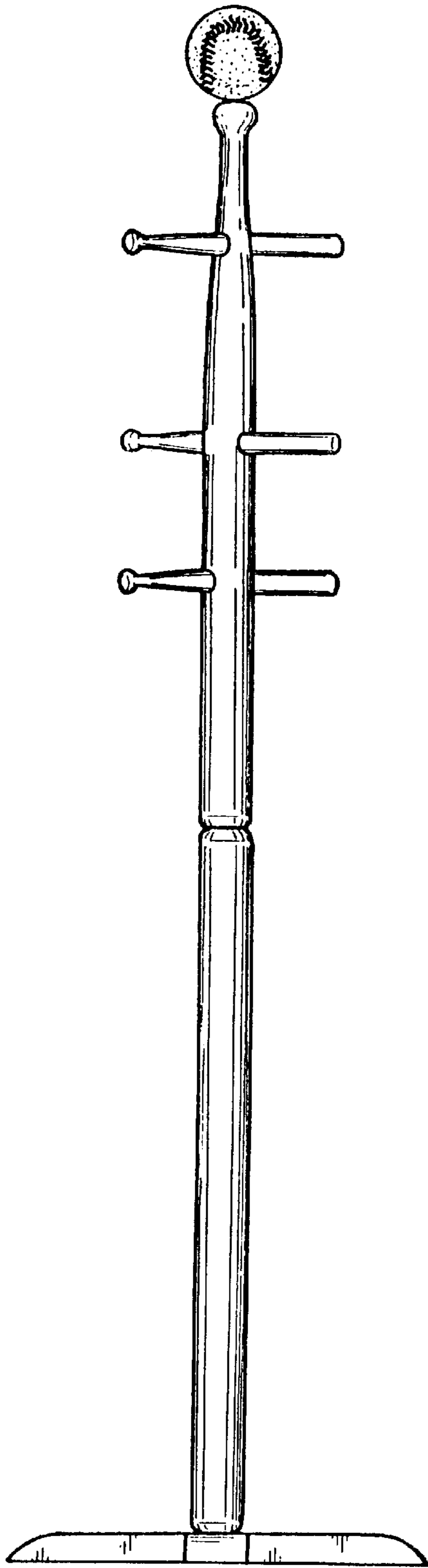


FIG. 5

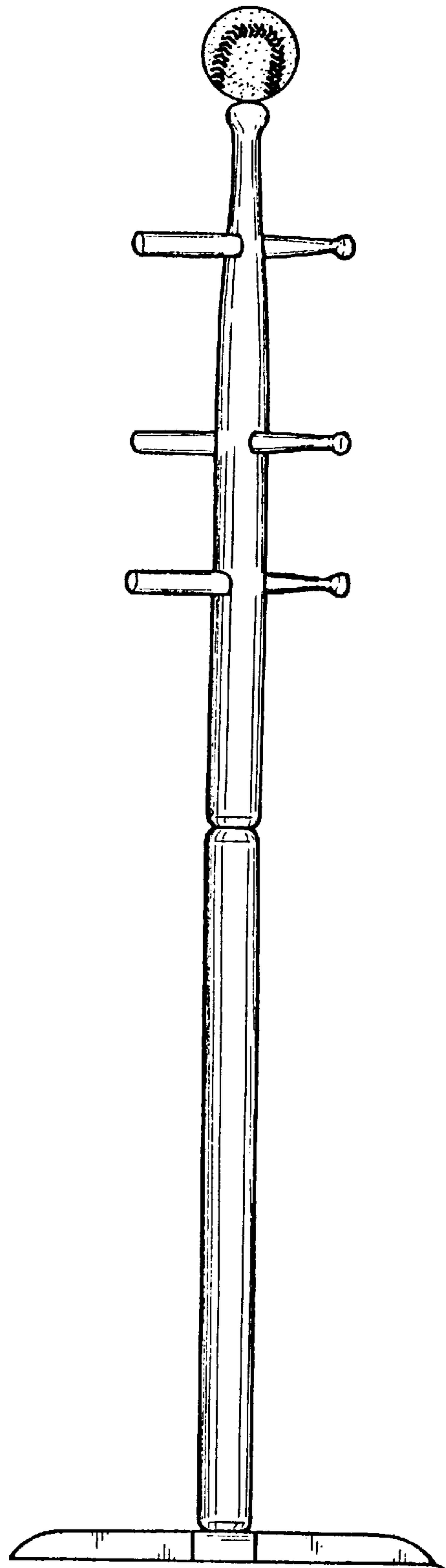


FIG. 4

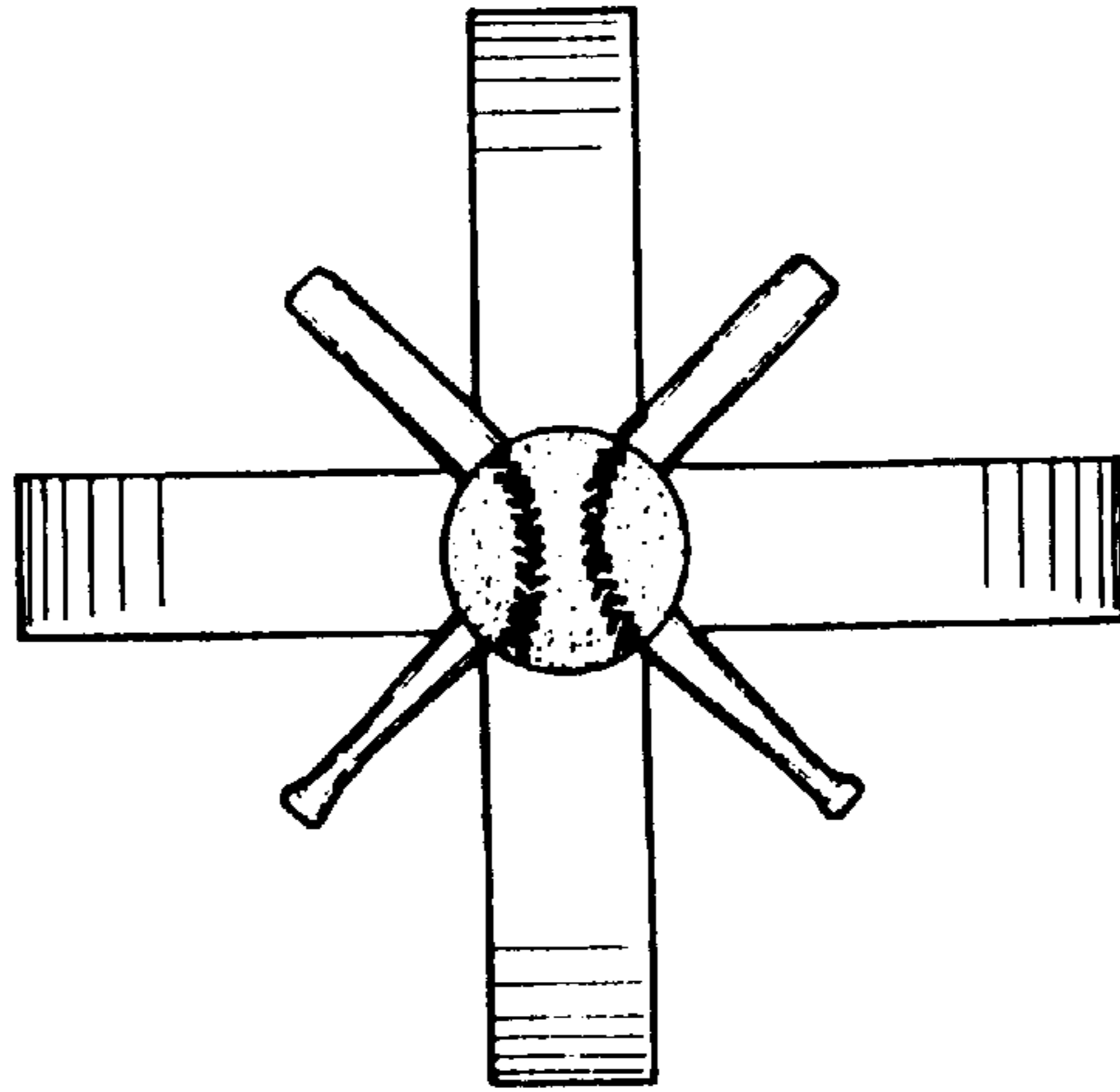


FIG. 6

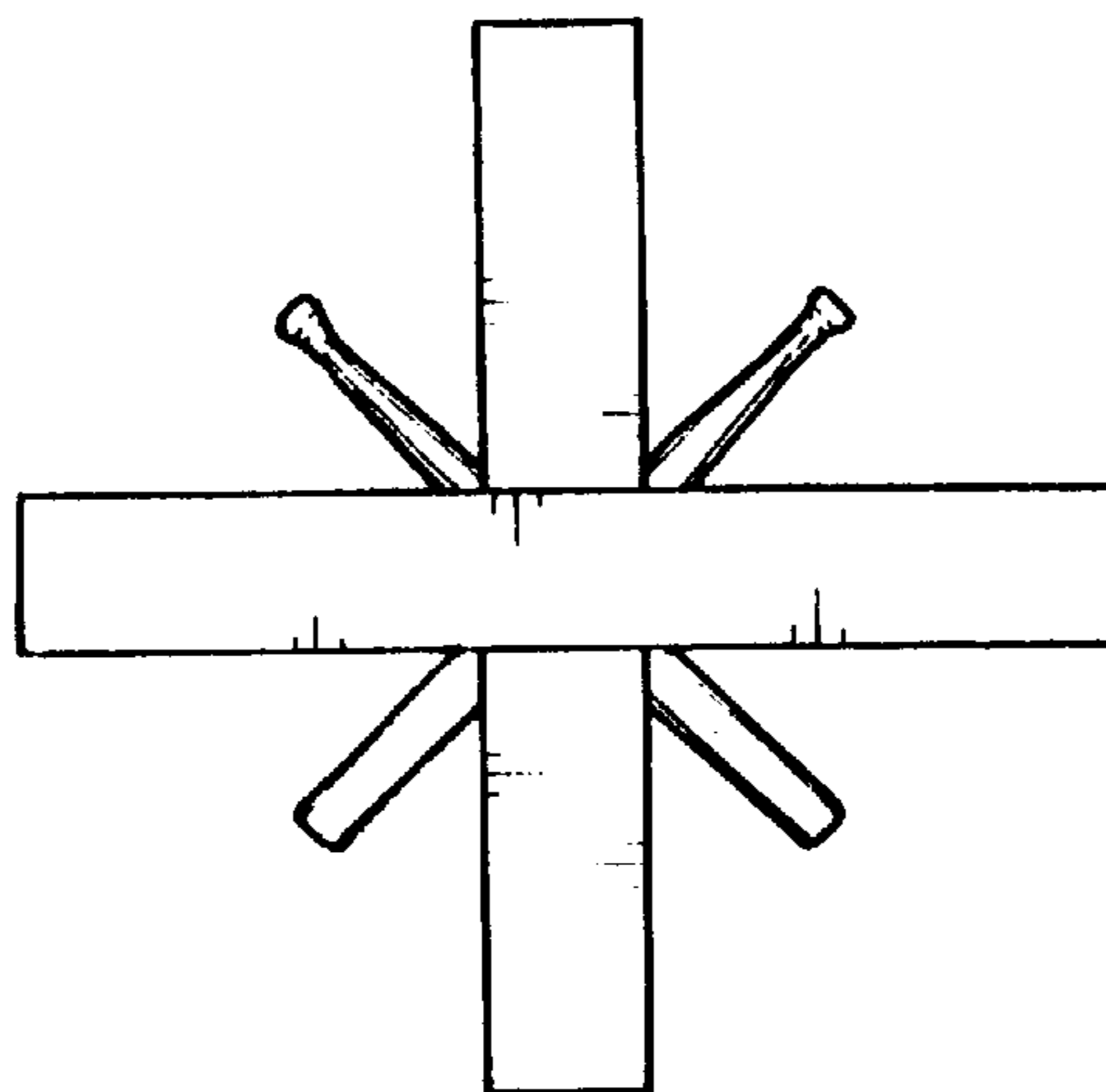


FIG. 7