



US00D428276S

# United States Patent [19] Mitjans

[11] Patent Number: Des. 428,276

[45] Date of Patent: \*\* Jul. 18, 2000

[54] SEATING UNIT

[75] Inventor: Jose Figueras Mitjans, Barcelona, Spain

[73] Assignee: Figueras International Seating, S.A., Barcelona, Spain

[\*\*] Term: 14 Years

[21] Appl. No.: 29/078,607

[22] Filed: Aug. 14, 1997

[30] Foreign Application Priority Data

Feb. 14, 1997 [ES] Spain ..... 139415

[51] LOC (7) Cl. .... 06-01

[52] U.S. Cl. .... D6/381; D6/336; D6/356

[58] Field of Search ..... D6/334, 335, 336, D6/356, 364, 367, 368, 381, 500, 501, 502; 297/232, 248, 411.2, 411.3

[56] References Cited

U.S. PATENT DOCUMENTS

- D. 234,555 3/1975 Barecki ..... D6/356
- D. 277,526 2/1985 White ..... D6/356
- D. 280,472 9/1985 Seto ..... D6/356
- D. 281,471 11/1985 Sauter ..... D6/356

D. 336,379 6/1993 Veneruso ..... D6/356

Primary Examiner—Gary D. Watson  
Attorney, Agent, or Firm—Nath & Associates; Gary M. Nath; Gregory B. Kang

[57] CLAIM

The ornamental design for a seating unit, as shown and described.

DESCRIPTION

FIG. 1 is a front and left-side perspective view of a seating unit with an armrest member in a first position showing my new design;

FIG. 2 is a rear and right-side perspective view thereof;

FIG. 3 is a front elevational view of the seating unit with an armrest member in an alternate position.

FIG. 4 is a rear elevational view of the seating unit with an armrest member in an alternate position.

FIG. 5 is a right-side view thereof;

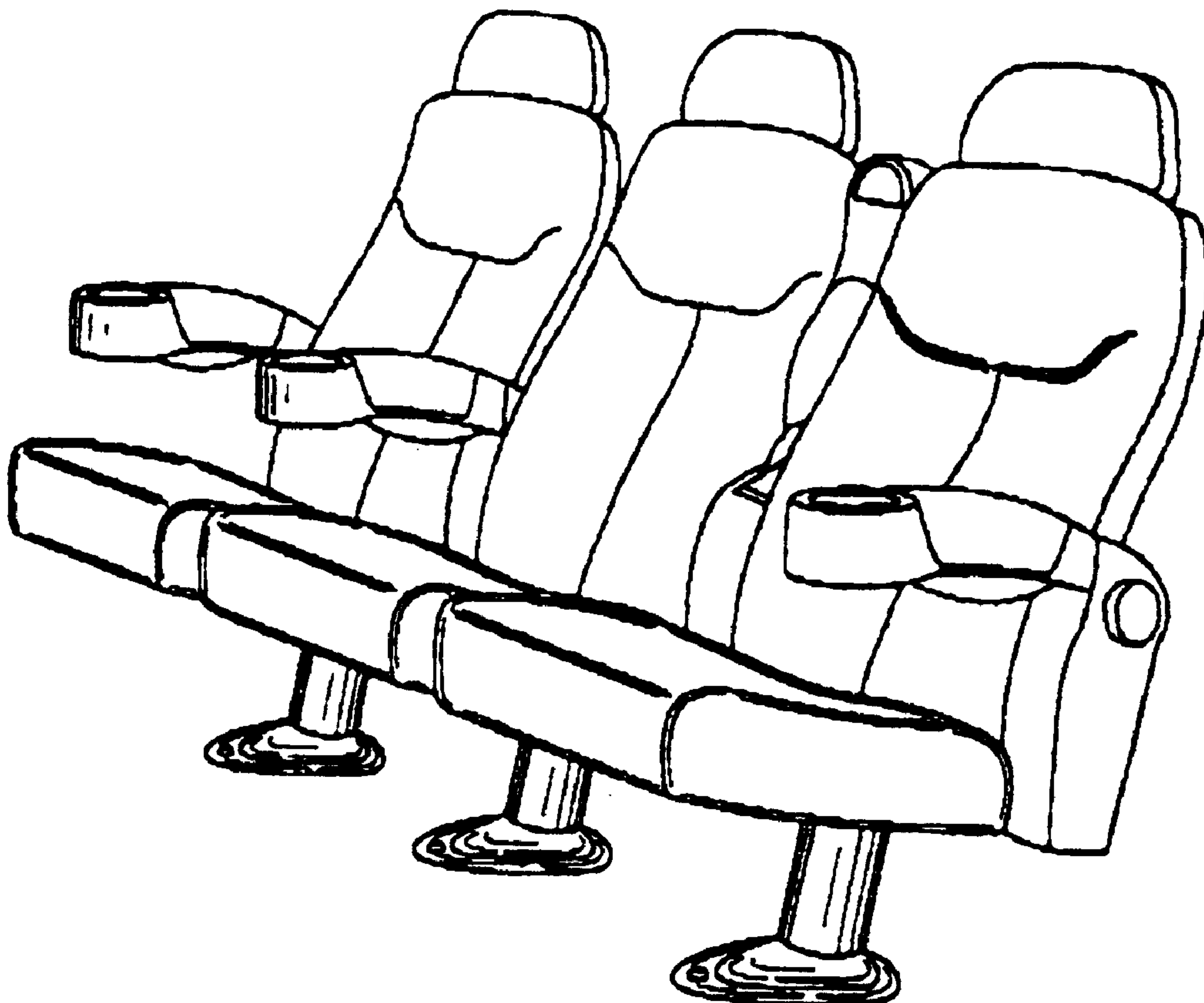
FIG. 6 is a left-side view thereof;

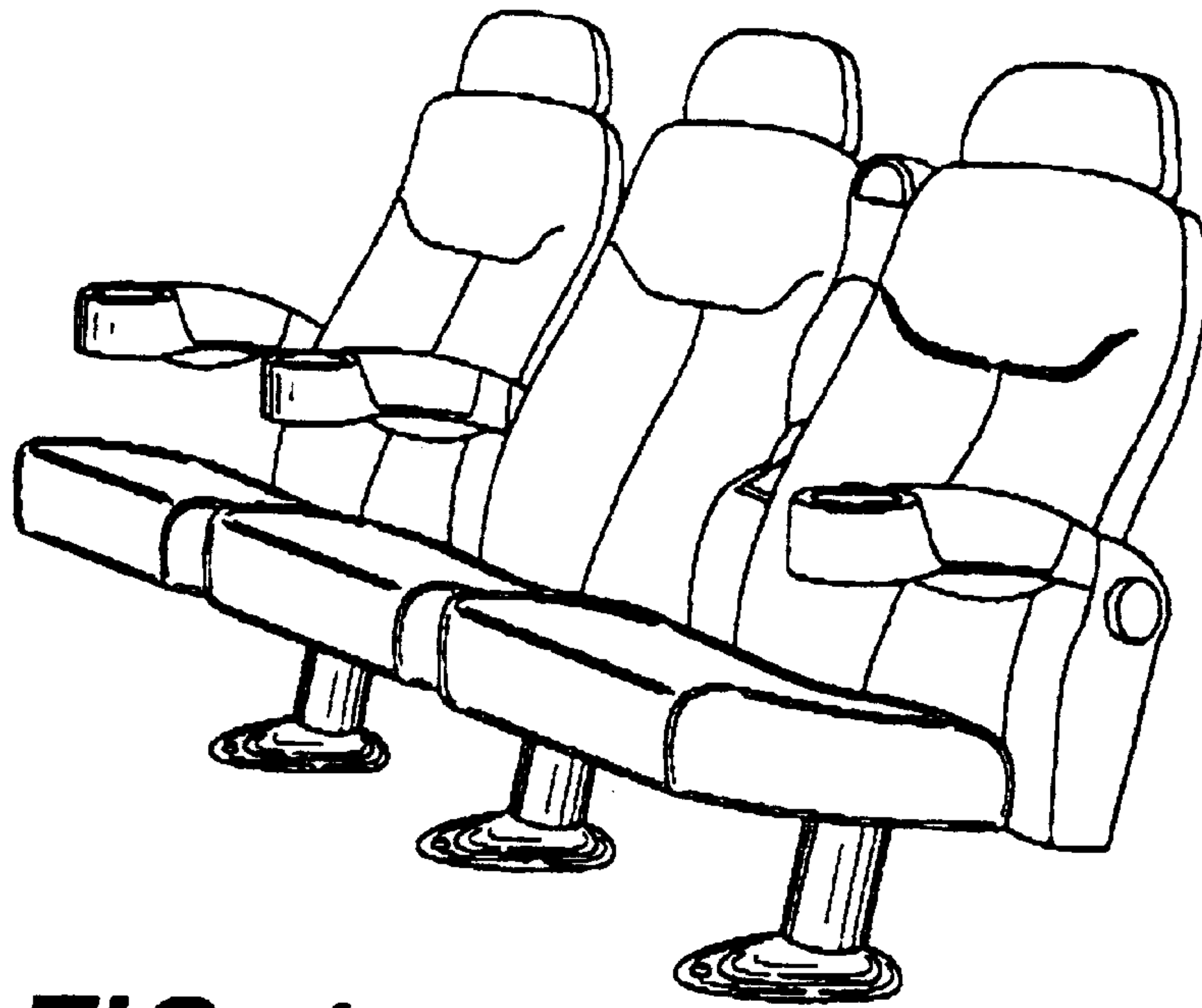
FIG. 7 is a top plan view of one half of the seating unit the other half, not shown, is mirror image of that shown; and,

FIG. 8 is a bottom view of one half of the seating unit the other half, not shown, is mirror image of that shown.

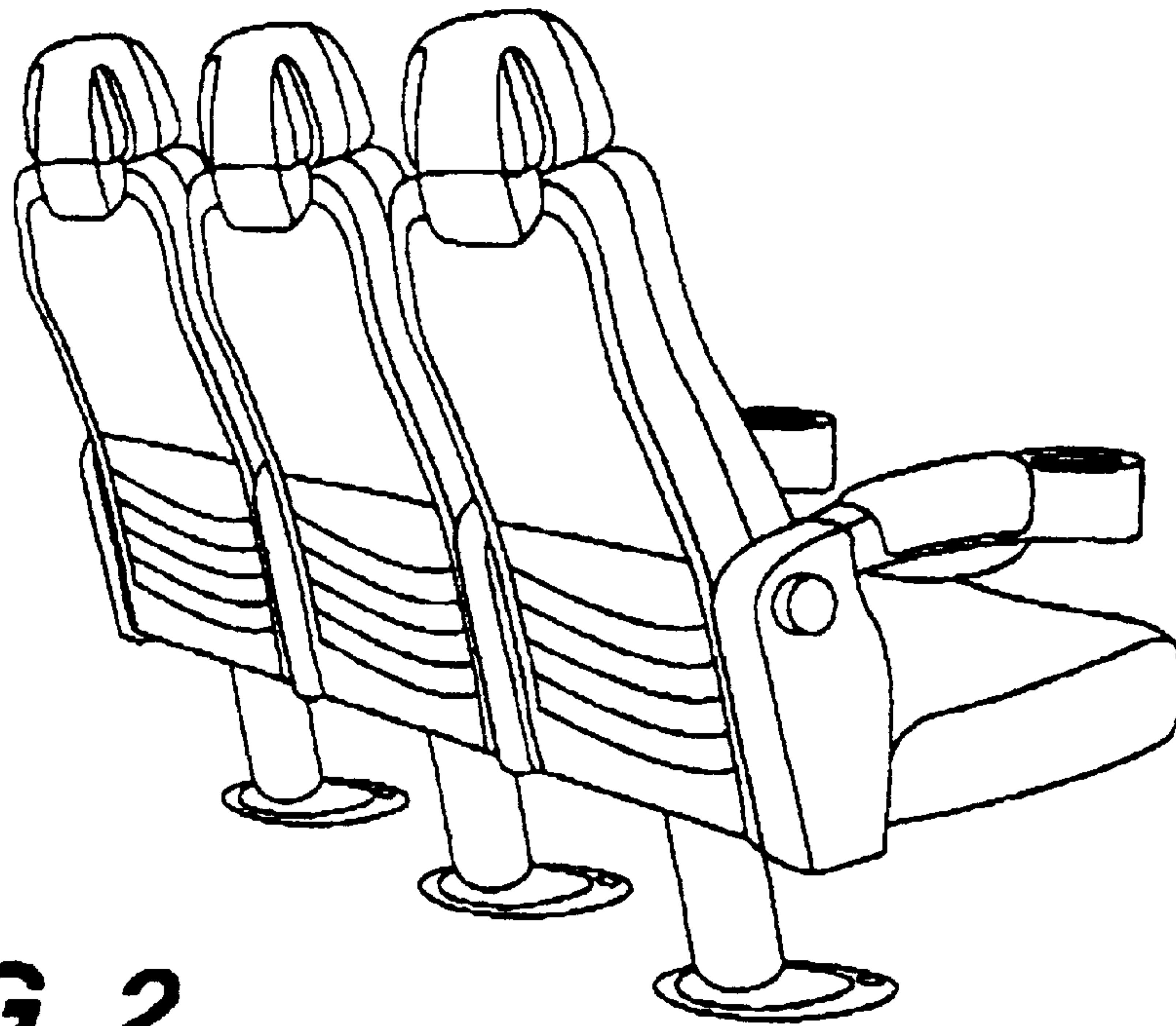
The broken line showing of ground lines is for environmental purposes only and forms no part of the claimed design.

1 Claim, 4 Drawing Sheets

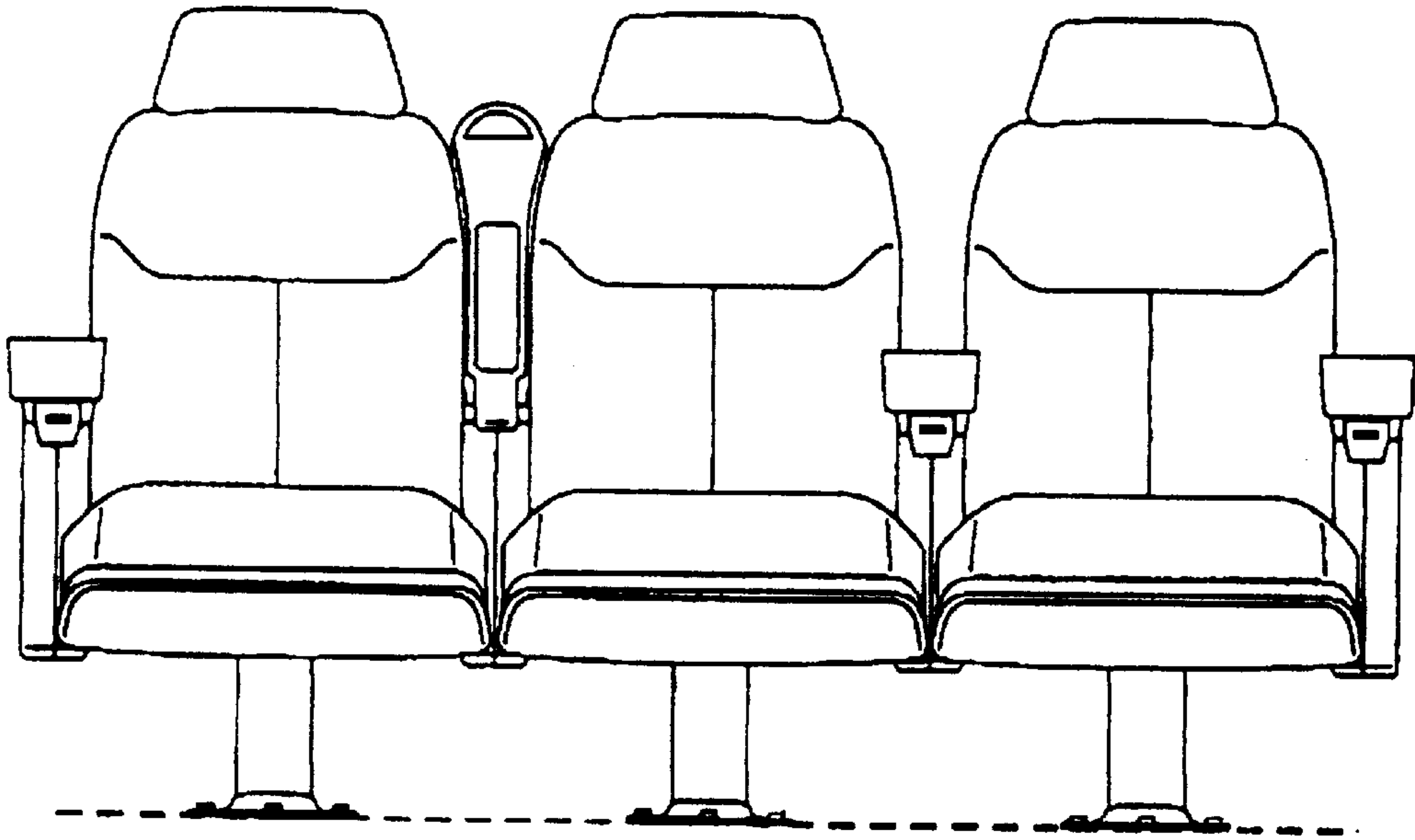




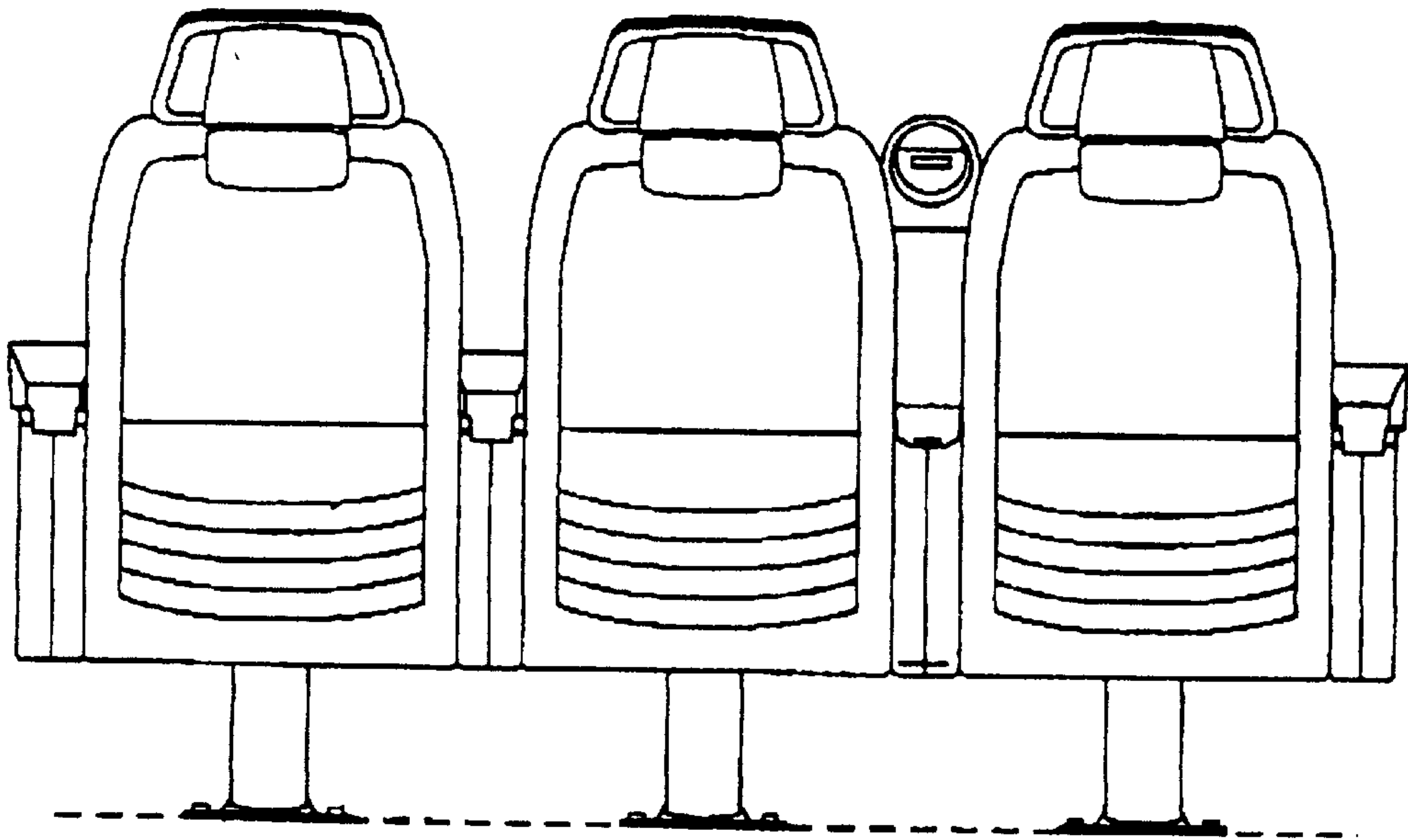
**FIG. 1**



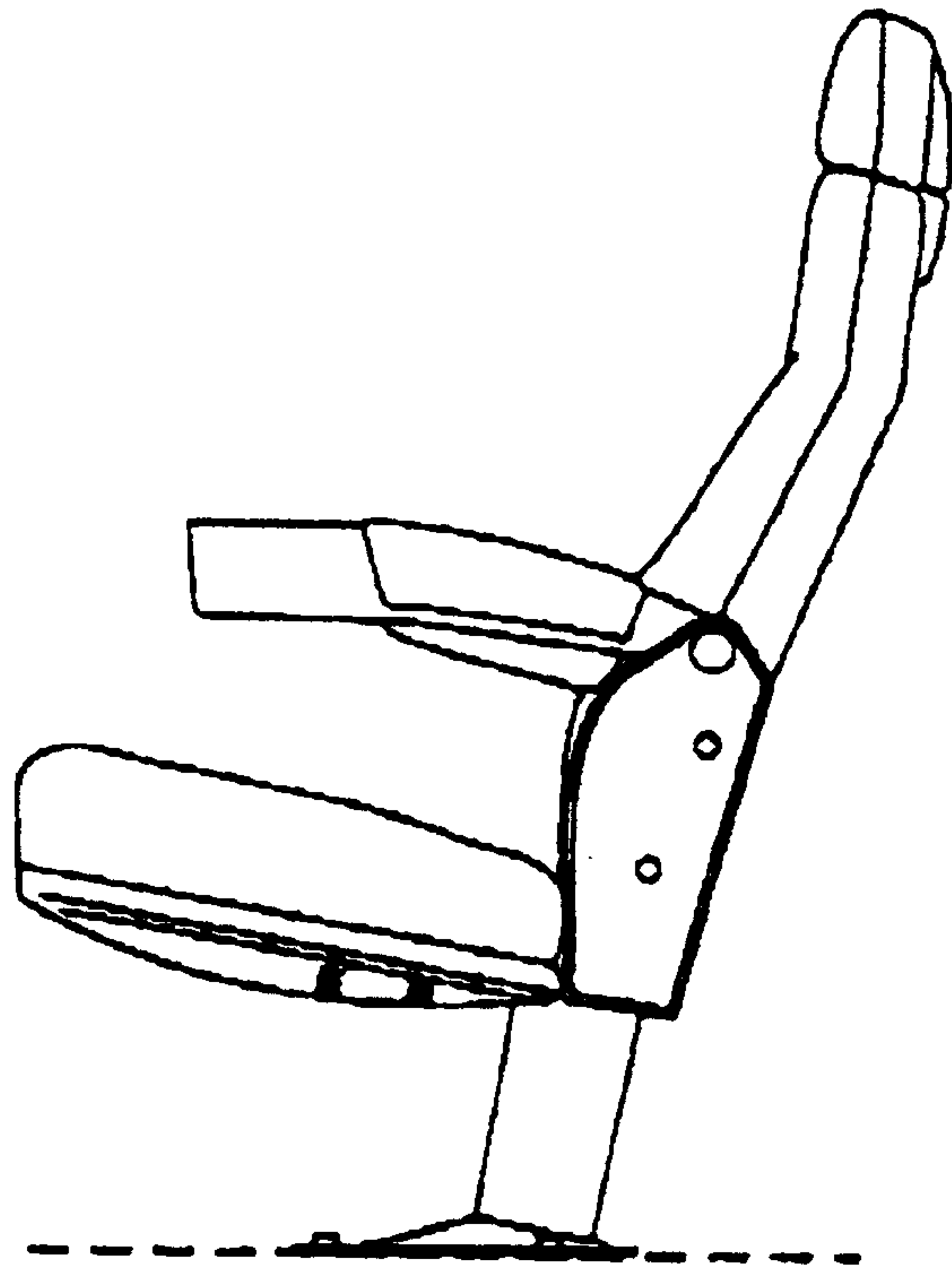
**FIG. 2**



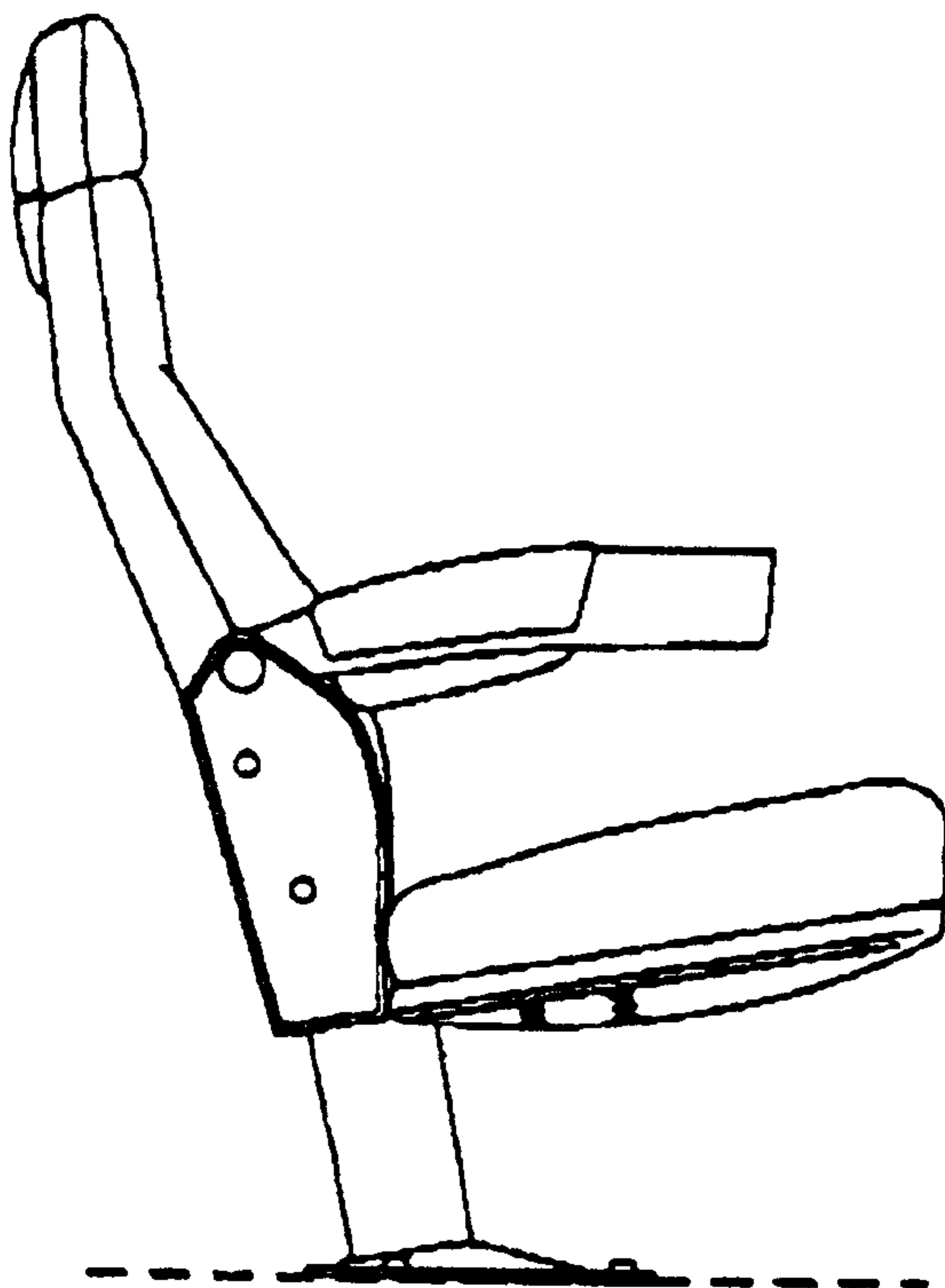
**FIG. 3**



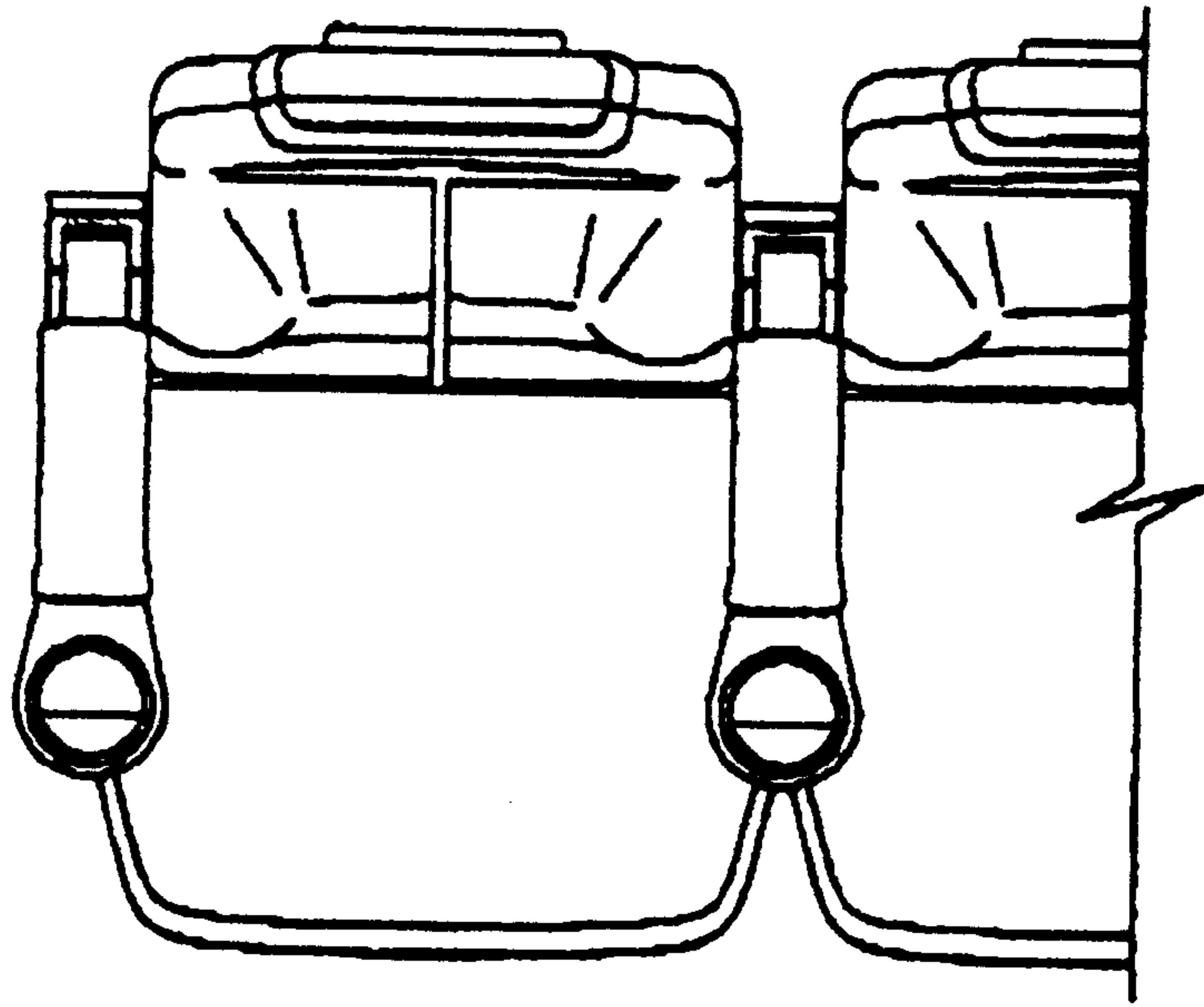
**FIG. 4**



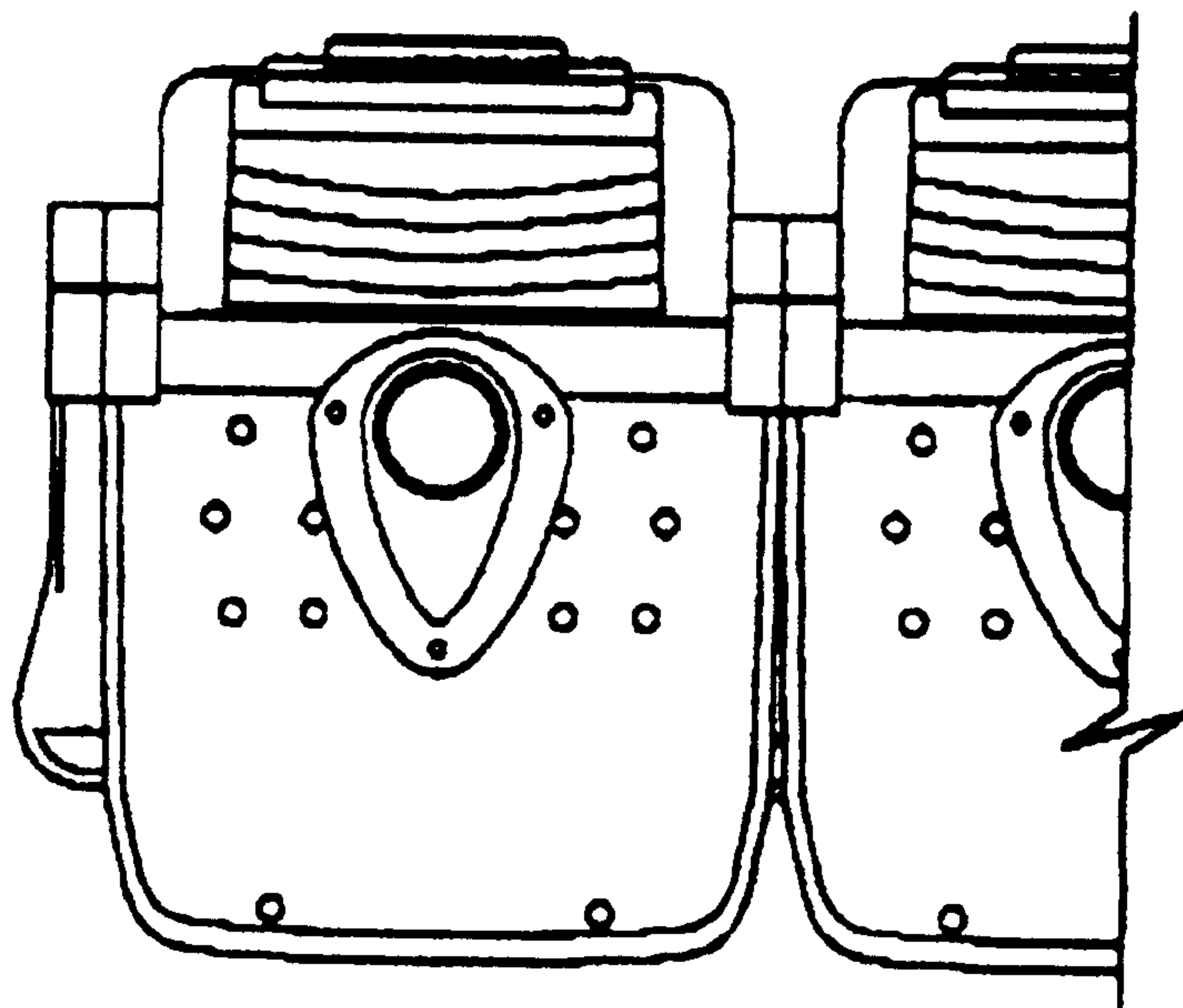
**FIG. 5**



**FIG. 6**



**FIG. 7**



**FIG. 8**