



US00D428272S

United States Patent [19]
Hill

[11] **Patent Number: Des. 428,272**

[45] **Date of Patent: ** Jul. 18, 2000**

[54] **MULTI-POSITION CHAIR**

DESCRIPTION

- [75] Inventor: **Peter C. Hill**, Plano, Tex.
- [73] Assignee: **Spang & Company**, Butler, Pa.
- [**] Term: **14 Years**
- [21] Appl. No.: **29/100,130**
- [22] Filed: **Feb. 5, 1999**
- [51] **LOC (7) Cl.** **06-01**
- [52] **U.S. Cl.** **D6/360**
- [58] **Field of Search** D6/334, 335, 360,
D6/361, 366, 367, 368, 500, 501, 502,
373, 371; 297/68, 118, 130, 271.1, 271.2,
271.3, 423.3, 423.19

- FIG. 1 is a perspective view of the multi-position chair of the present invention showing the footrest thereof in a first position;
- FIG. 2 is a front elevational view of the invention illustrated in FIG. 1;
- FIG. 3 is a rear elevational view of the invention illustrated in FIG. 1;
- FIG. 4 is a top view of the invention illustrated in FIG. 1;
- FIG. 5 is a bottom view of the invention illustrated in FIG. 1;
- FIG. 6 is a right side elevational view of the invention illustrated in FIG. 1;
- FIG. 7 is a left side elevational view of the invention illustrated in FIG. 1;
- FIG. 8 is a perspective view of the multi-position chair of the present invention with the footrest thereof in a second position;
- FIG. 9 is a front elevational view of the invention illustrated in FIG. 8;
- FIG. 10 is a rear elevational view of the invention illustrated in FIG. 8;
- FIG. 11 is a top view of the invention illustrated in FIG. 8;
- FIG. 12 is a bottom view of the invention illustrated in FIG. 8;
- FIG. 13 is a right side elevational view of the invention illustrated in FIG. 8; and,
- FIG. 14 is a left side elevational view of the invention illustrated in FIG. 8.

[56] **References Cited**

U.S. PATENT DOCUMENTS

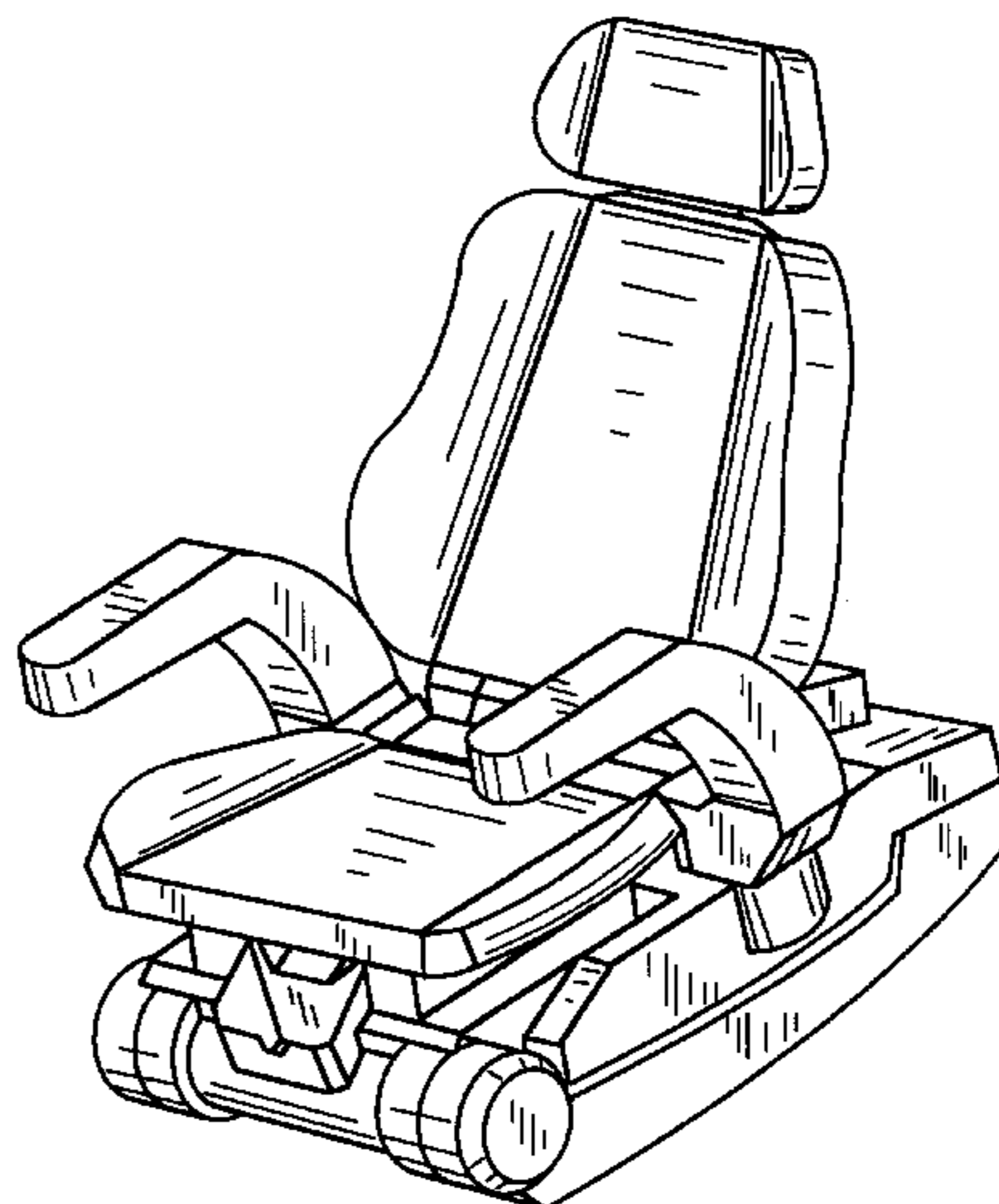
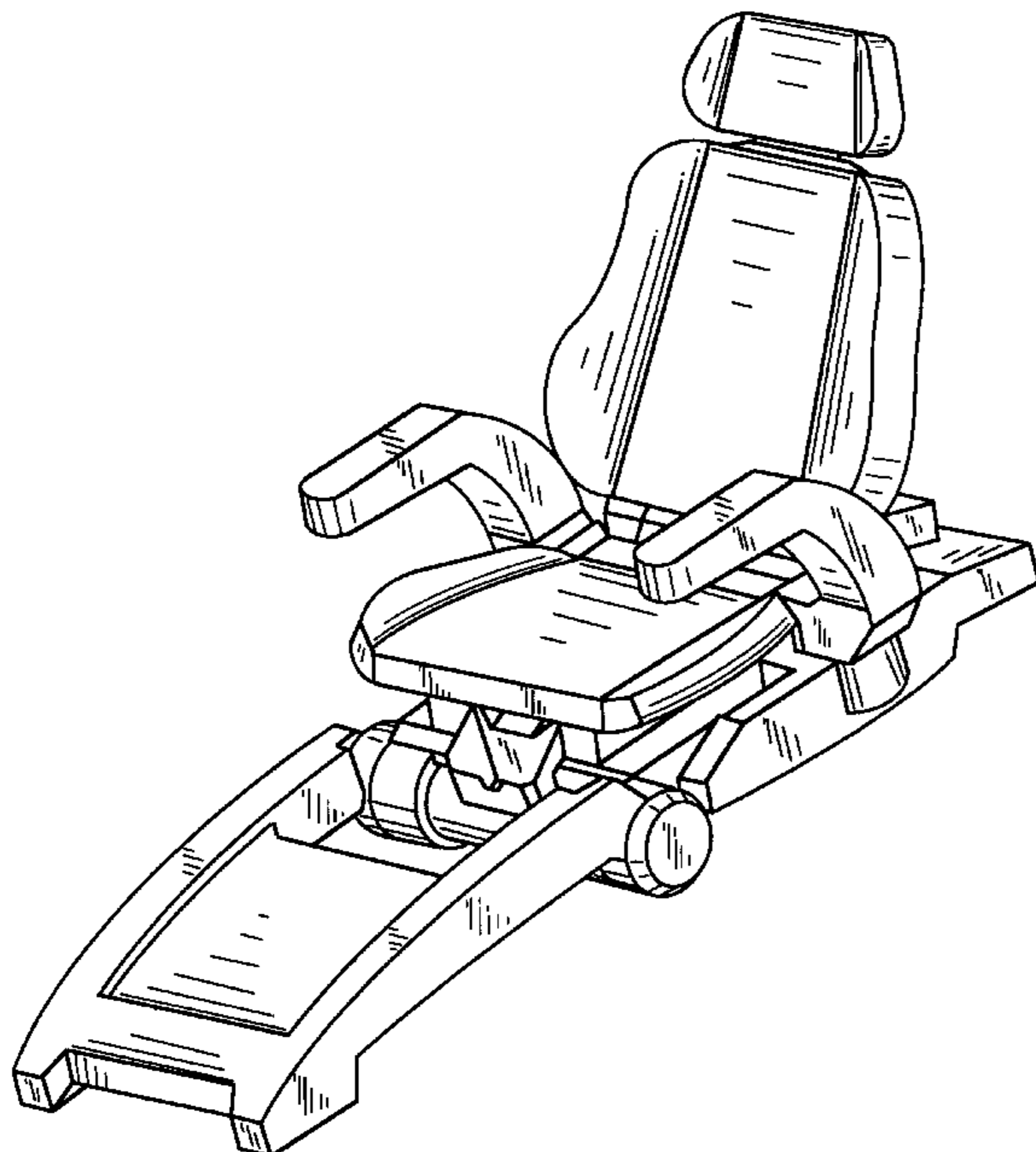
D. 239,790	5/1976	Webb	D6/360
D. 292,350	10/1987	Goldman	D6/367
D. 374,560	10/1996	Fujimoto et al.	D6/367
D. 389,661	1/1998	Grosfillex	D6/336
4,160,564	7/1979	Kyle	.	
5,110,183	5/1992	Jeanes, III	.	
5,423,592	6/1995	Spurrier et al.	.	
5,547,256	8/1996	D'Antuono et al.	.	
5,681,082	10/1997	Drexler	.	

Primary Examiner—Doris V. Coles
Assistant Examiner—Mimosa De
Attorney, Agent, or Firm—Kirkpatrick & Lockhart LLP

[57] **CLAIM**

The ornamental design for the multi-position chair, as shown and described.

1 Claim, 12 Drawing Sheets



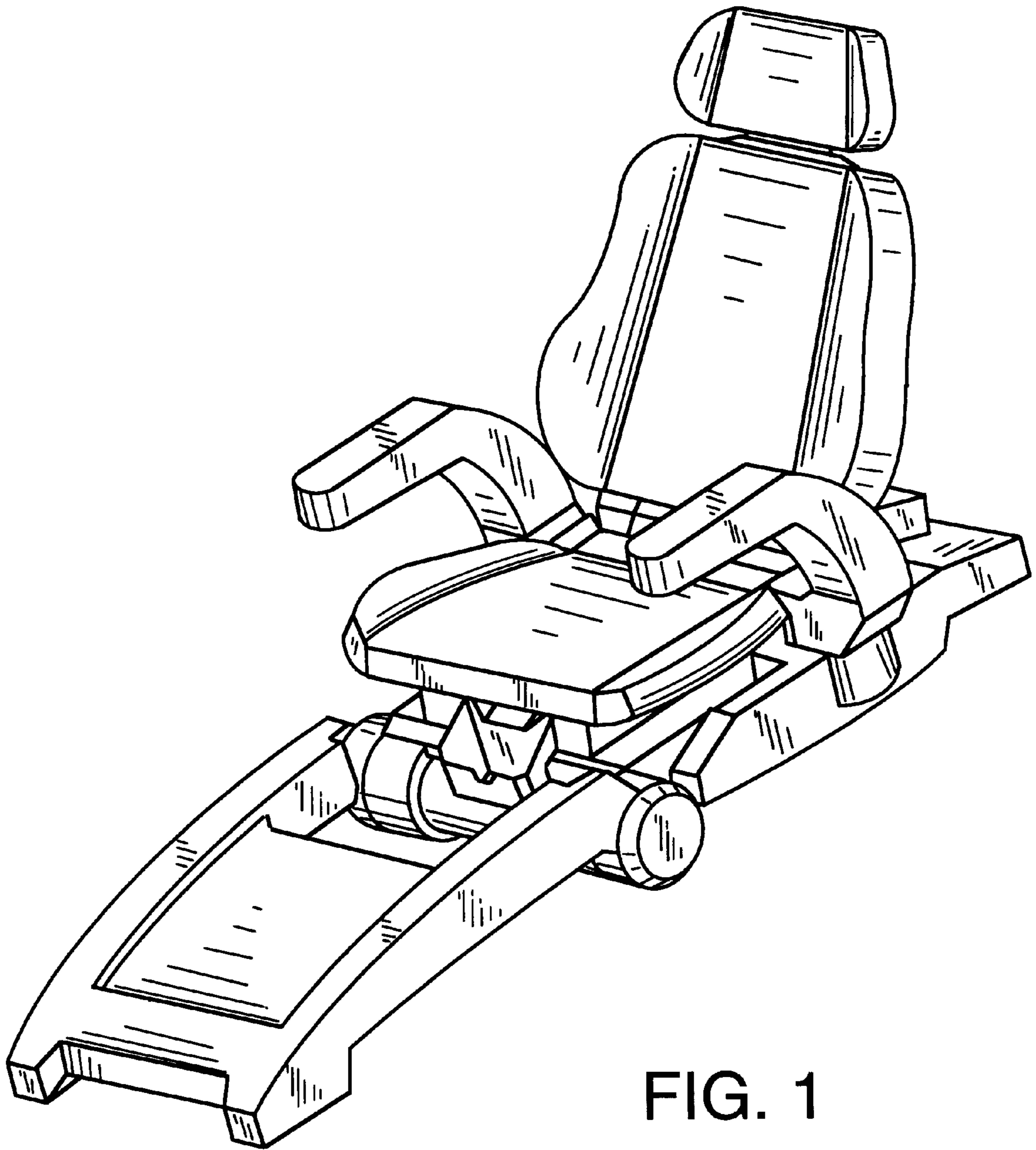


FIG. 1

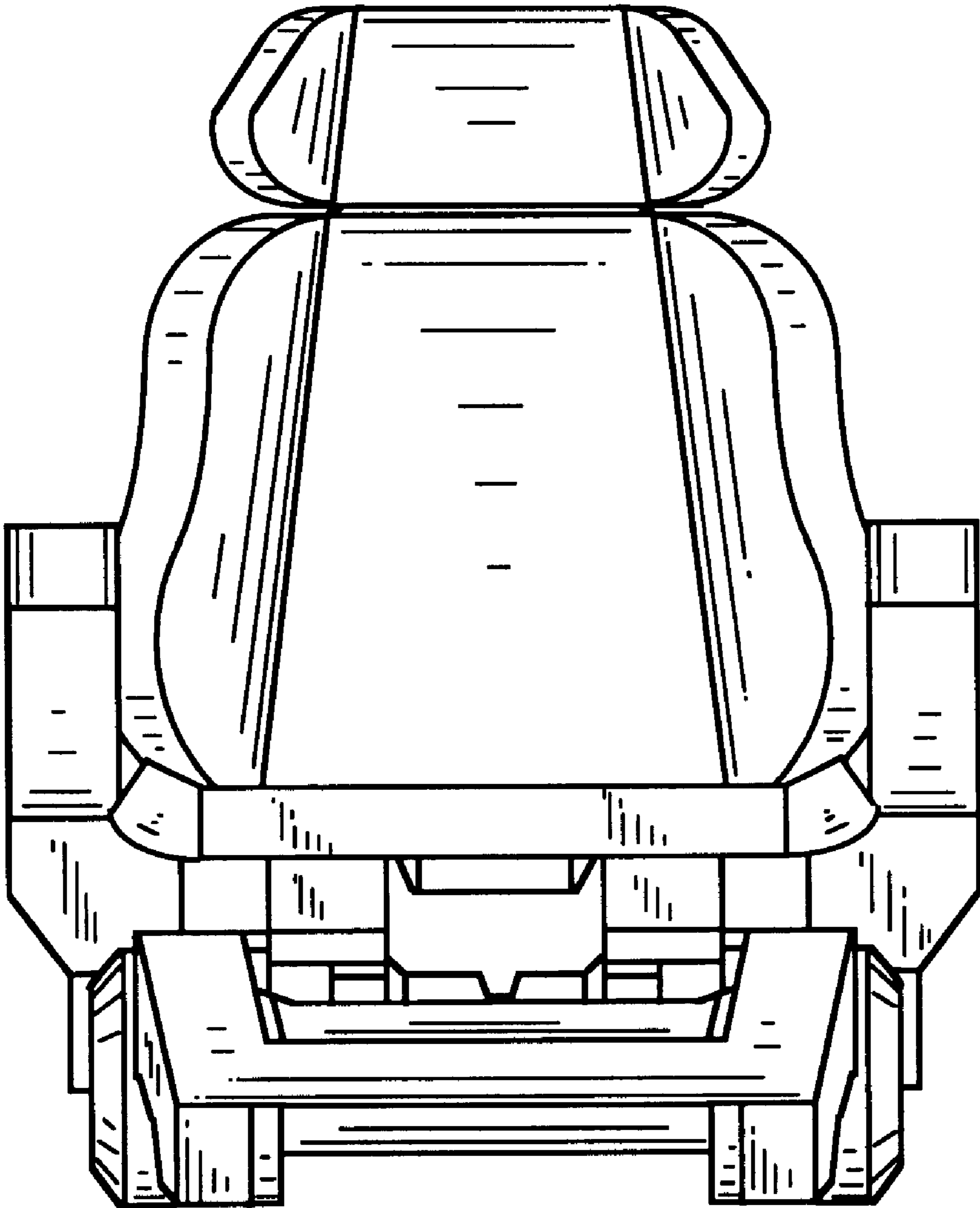


FIG. 2

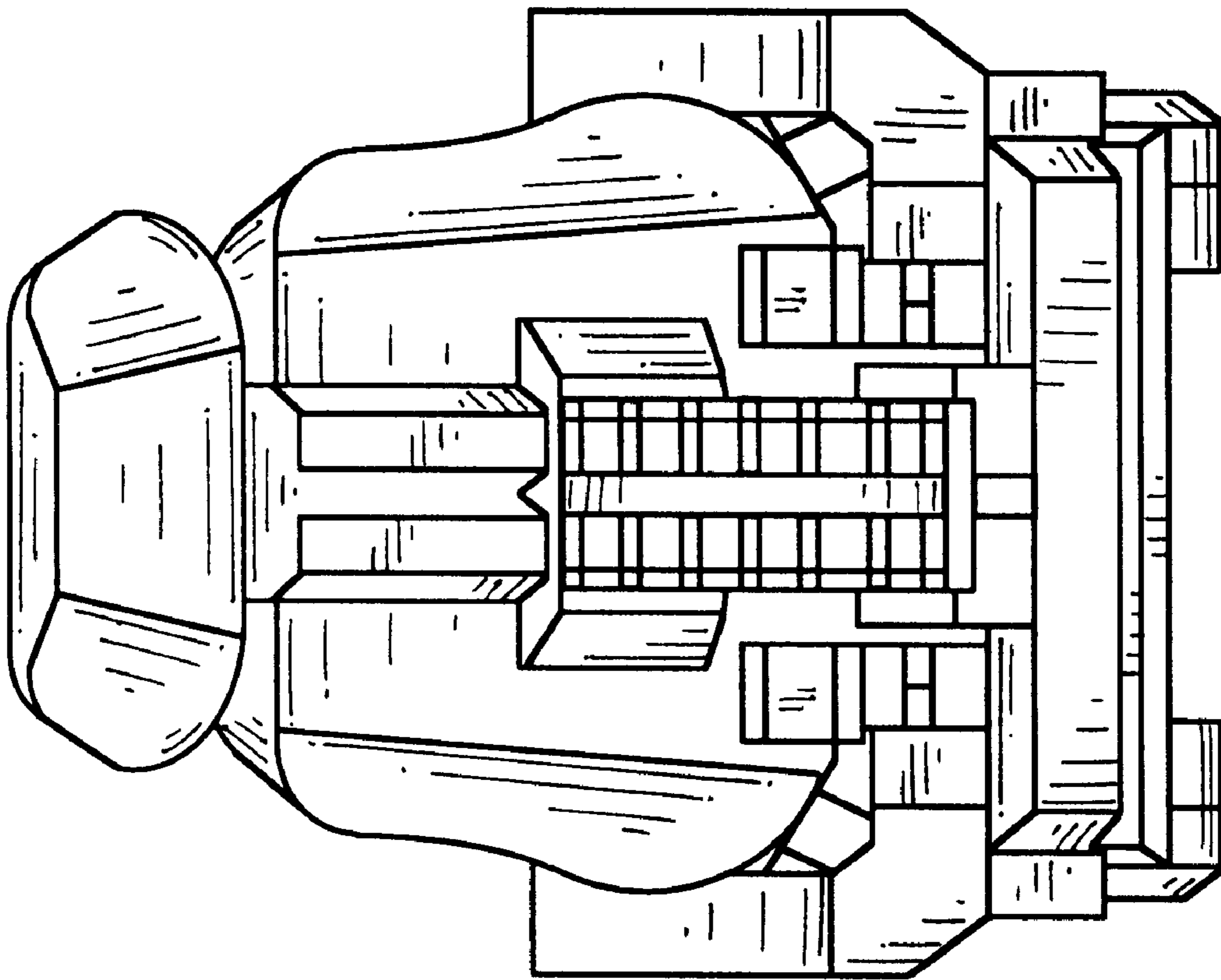


FIG. 3

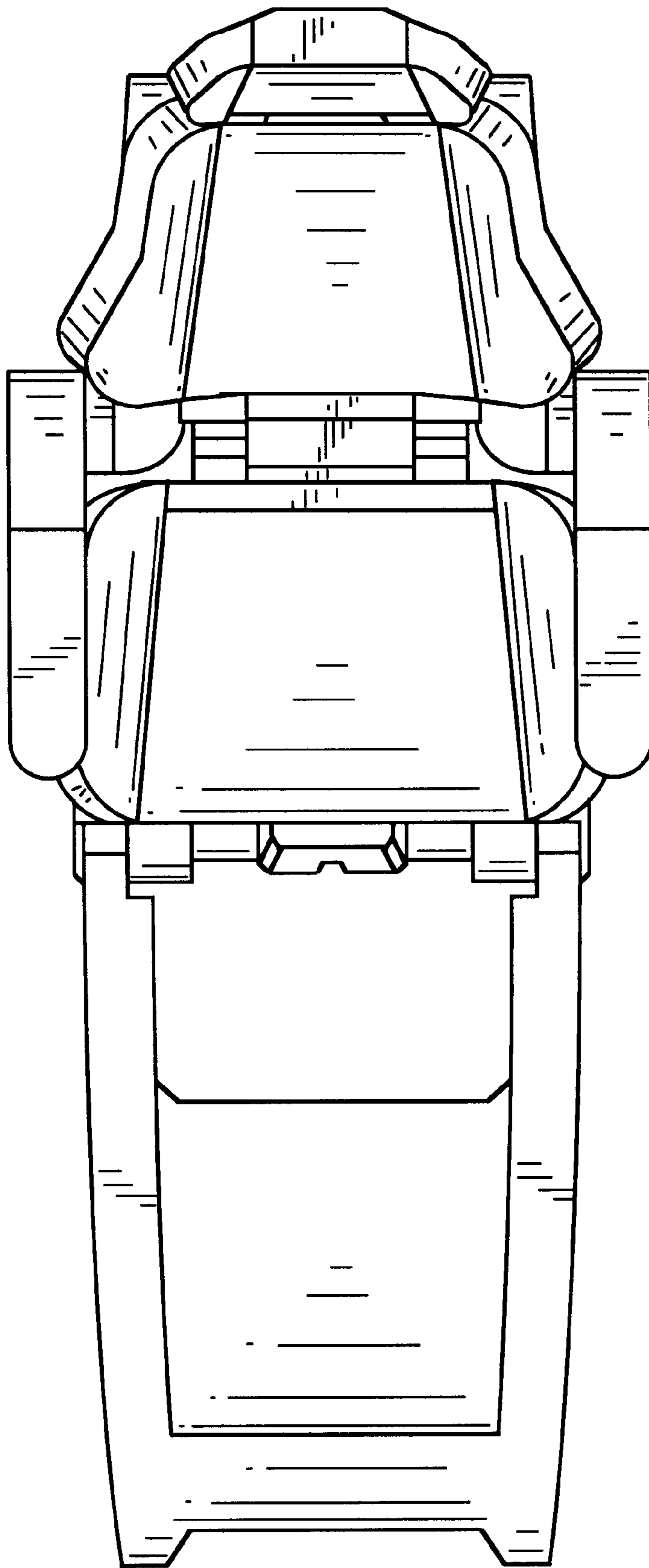


FIG. 4

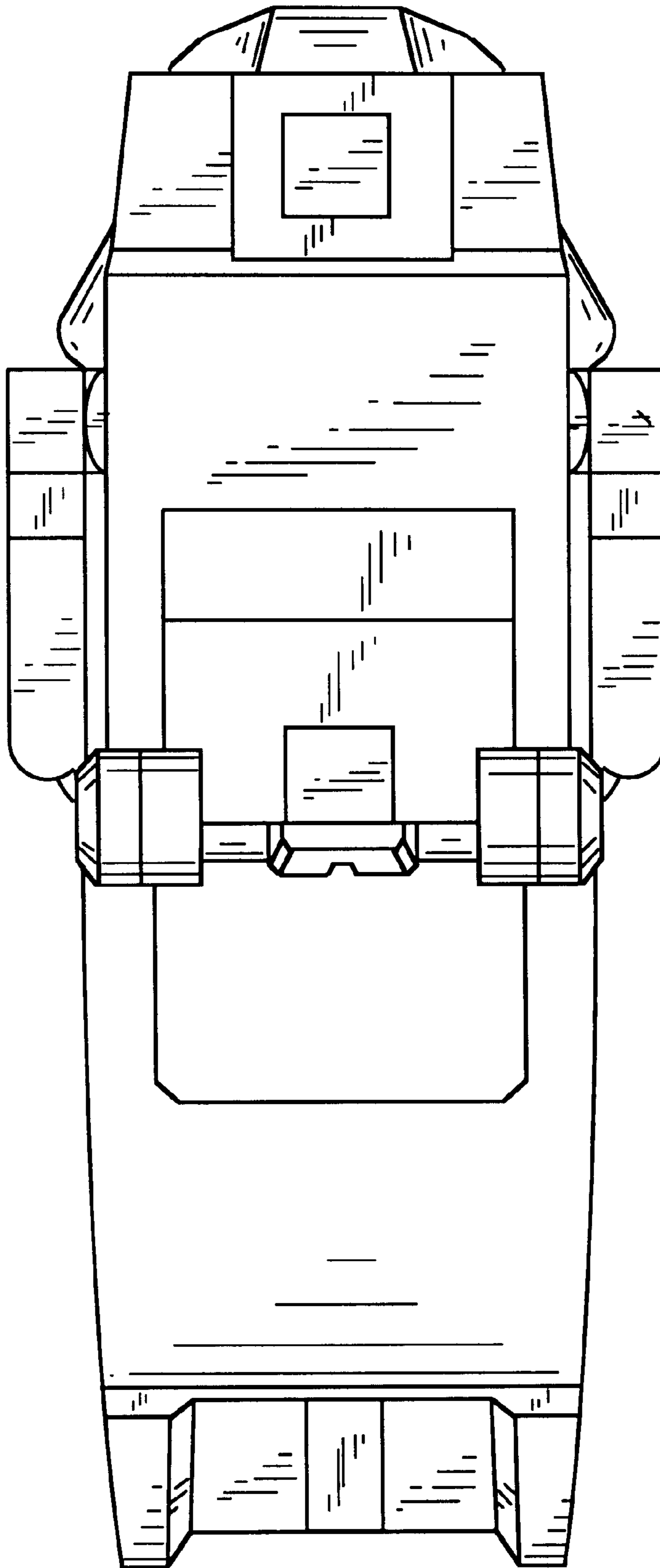


FIG. 5

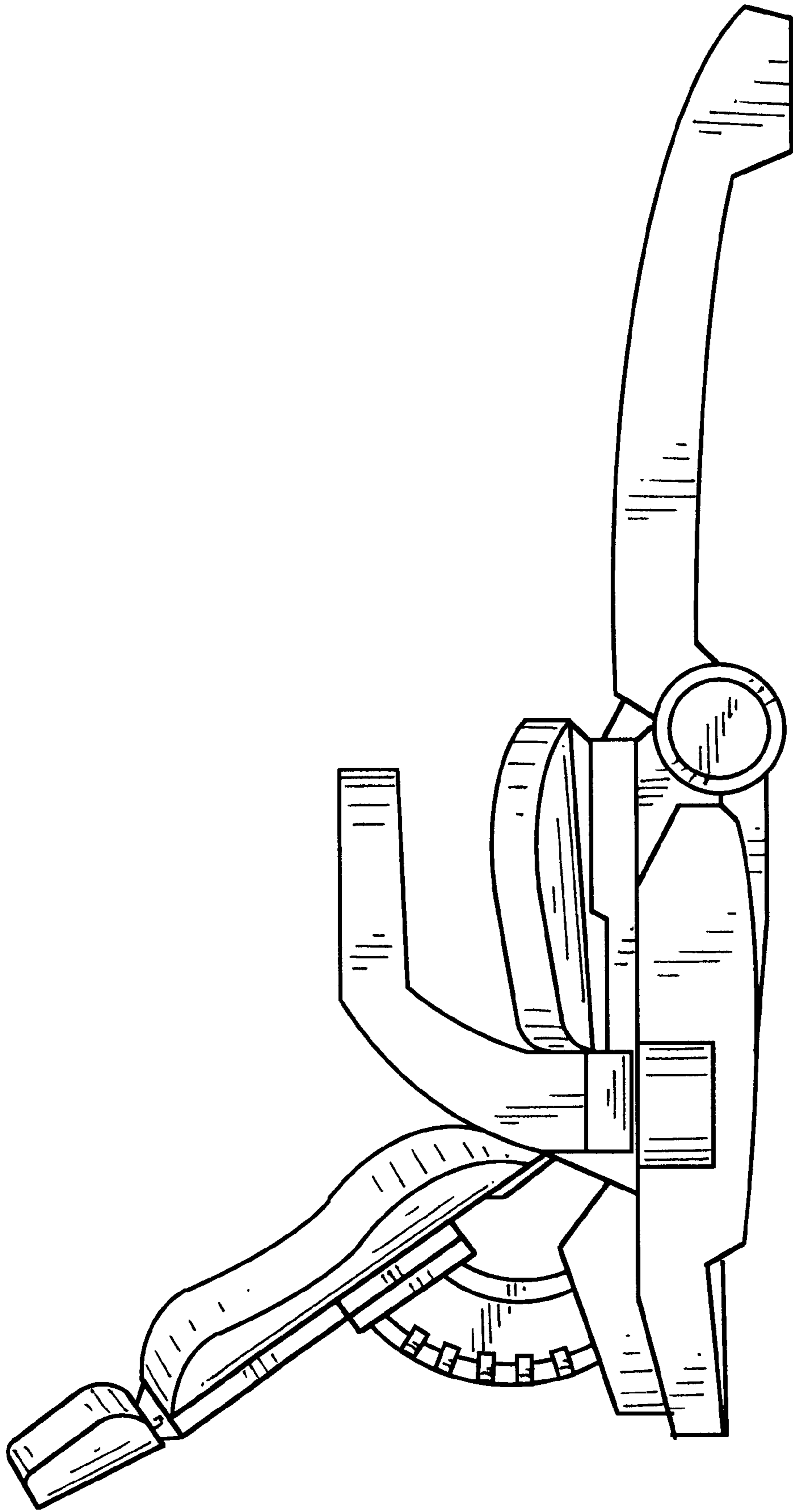


FIG. 6

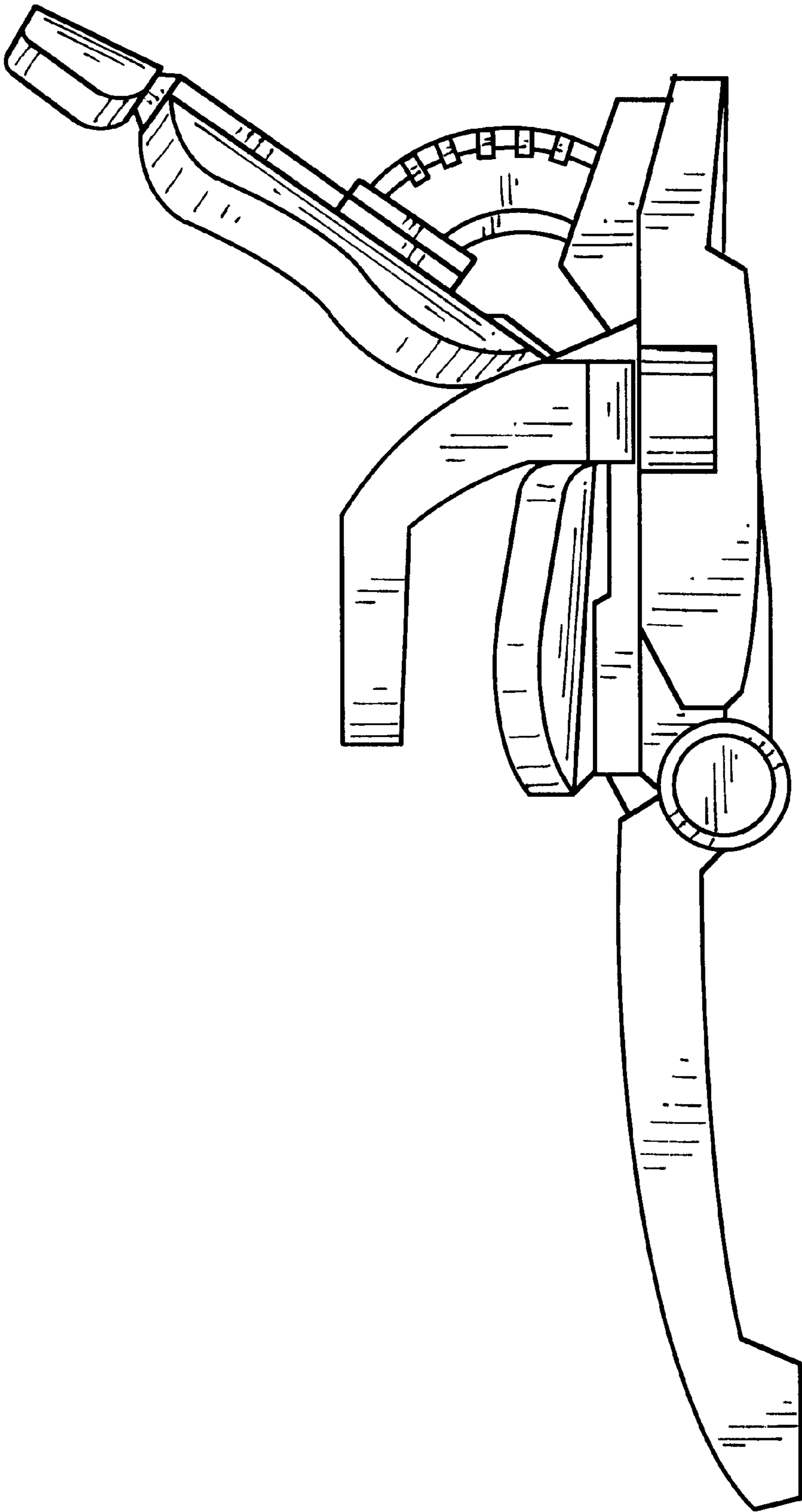


FIG. 7

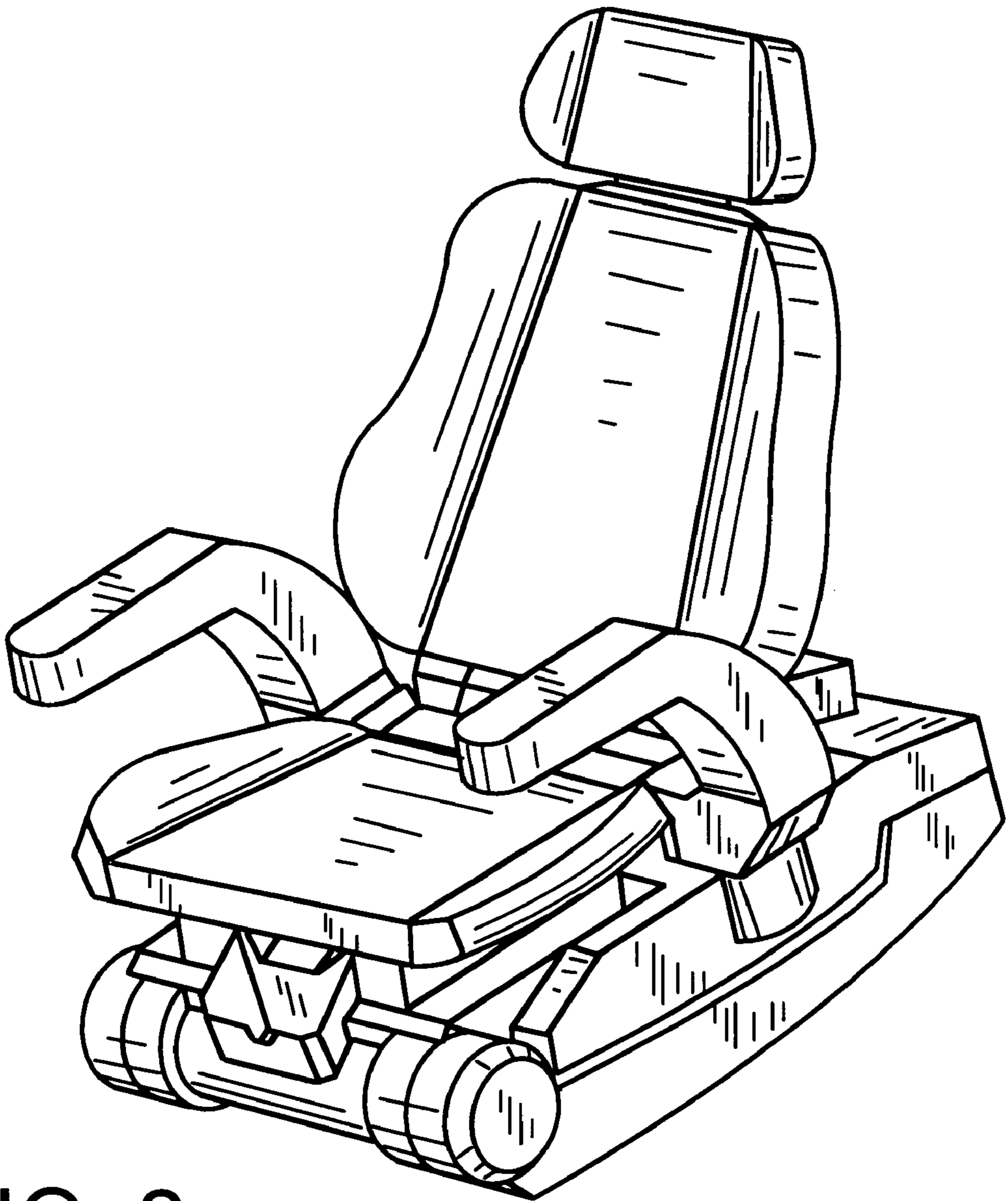


FIG. 8

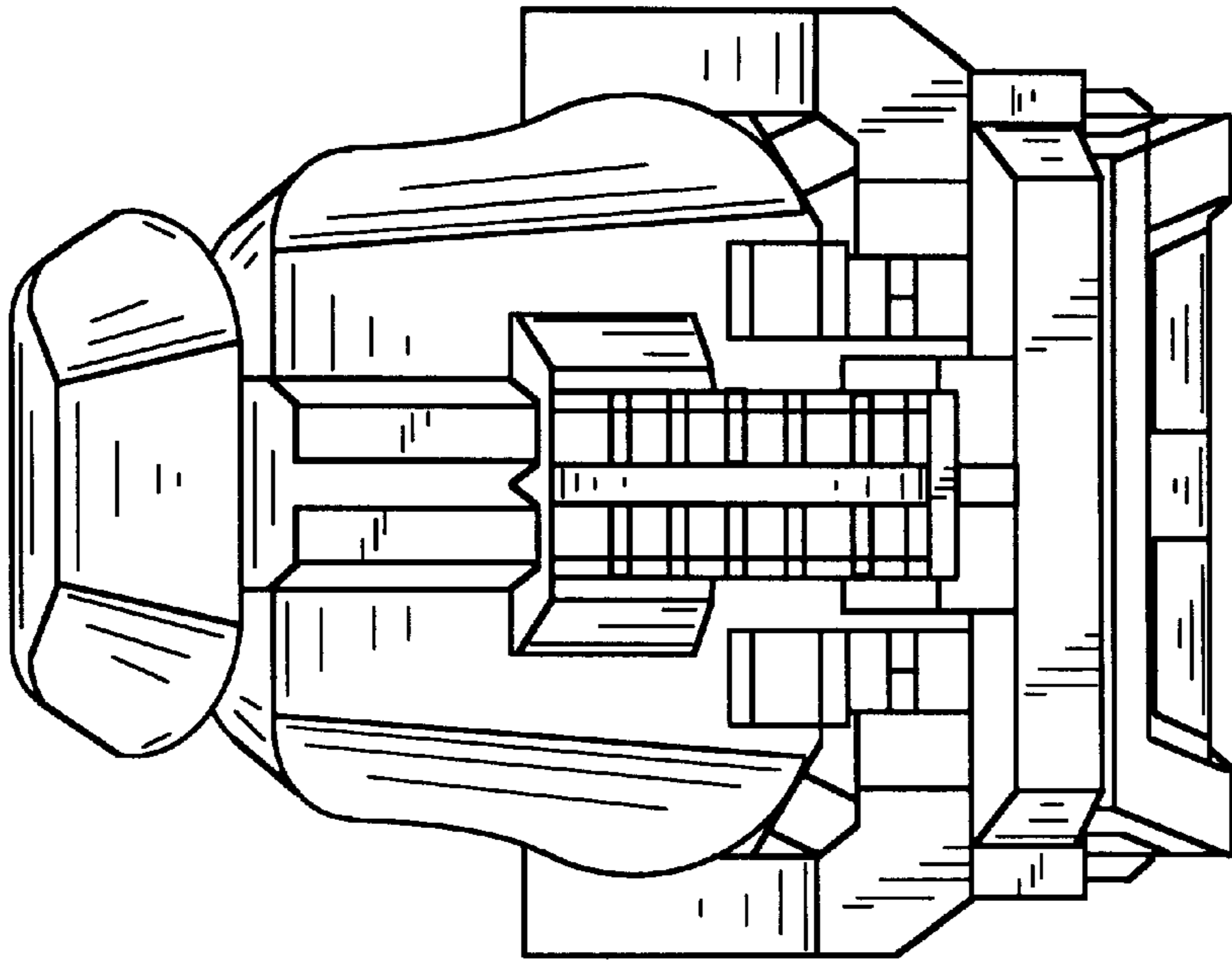


FIG. 10

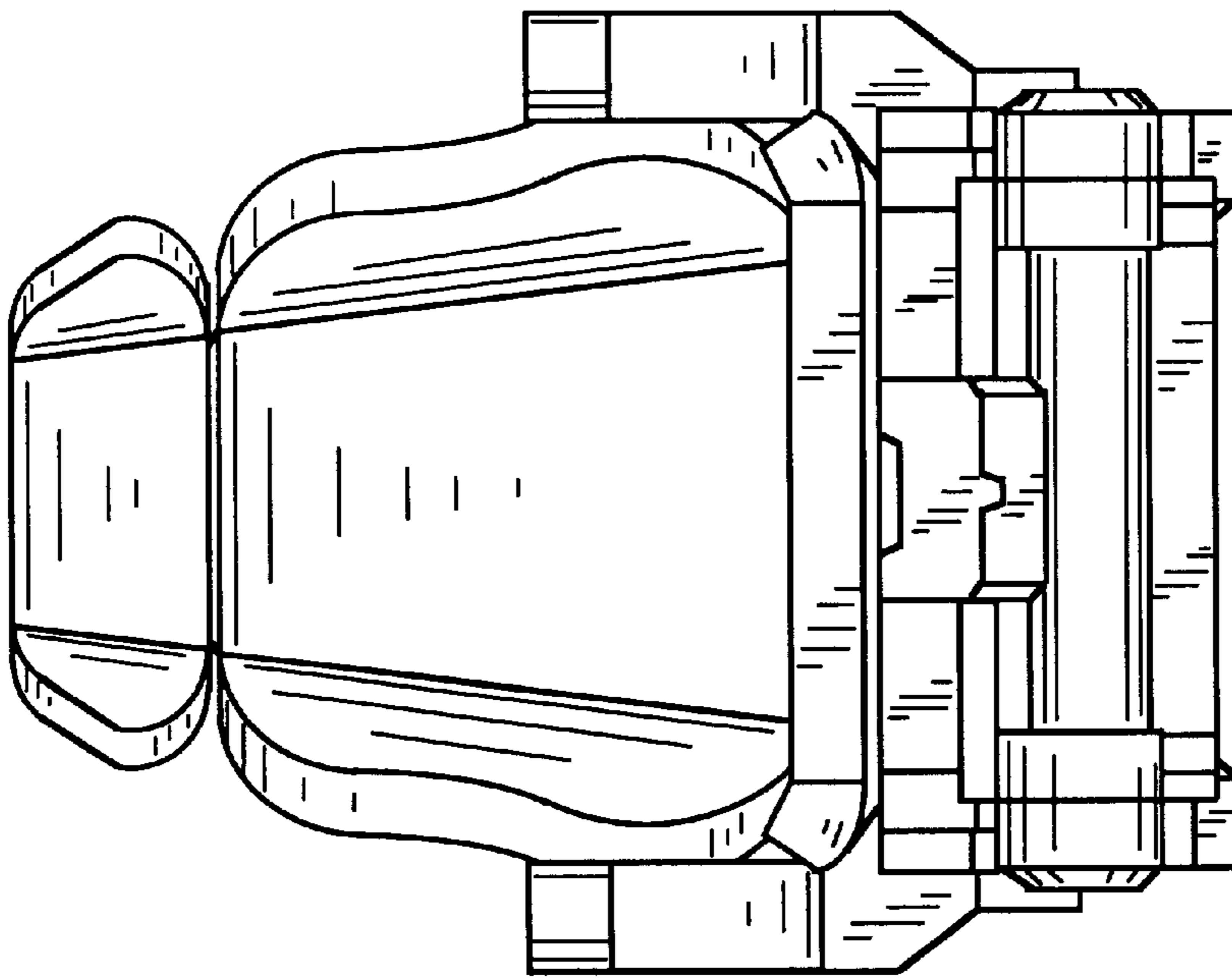


FIG. 9

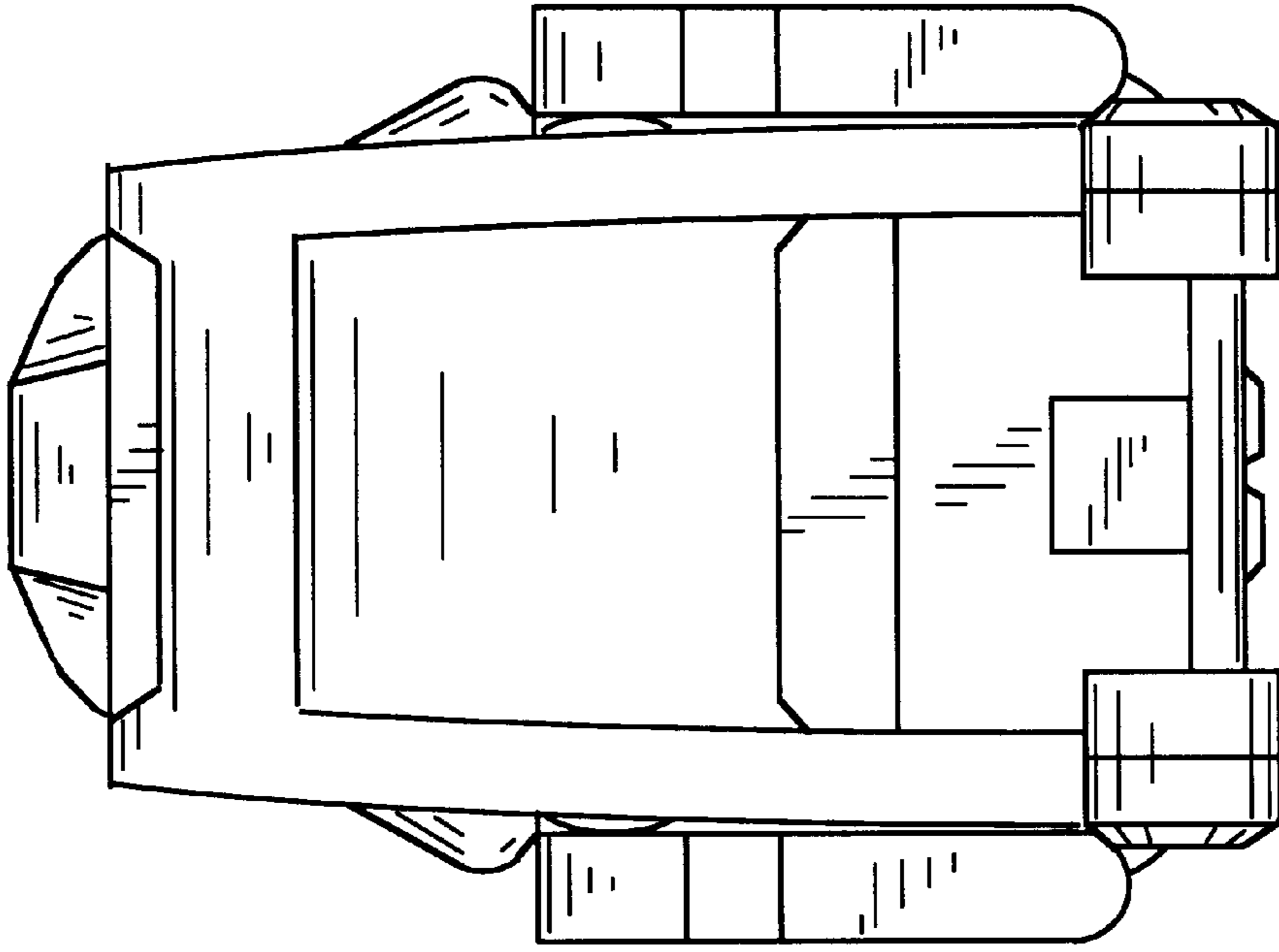


FIG. 11

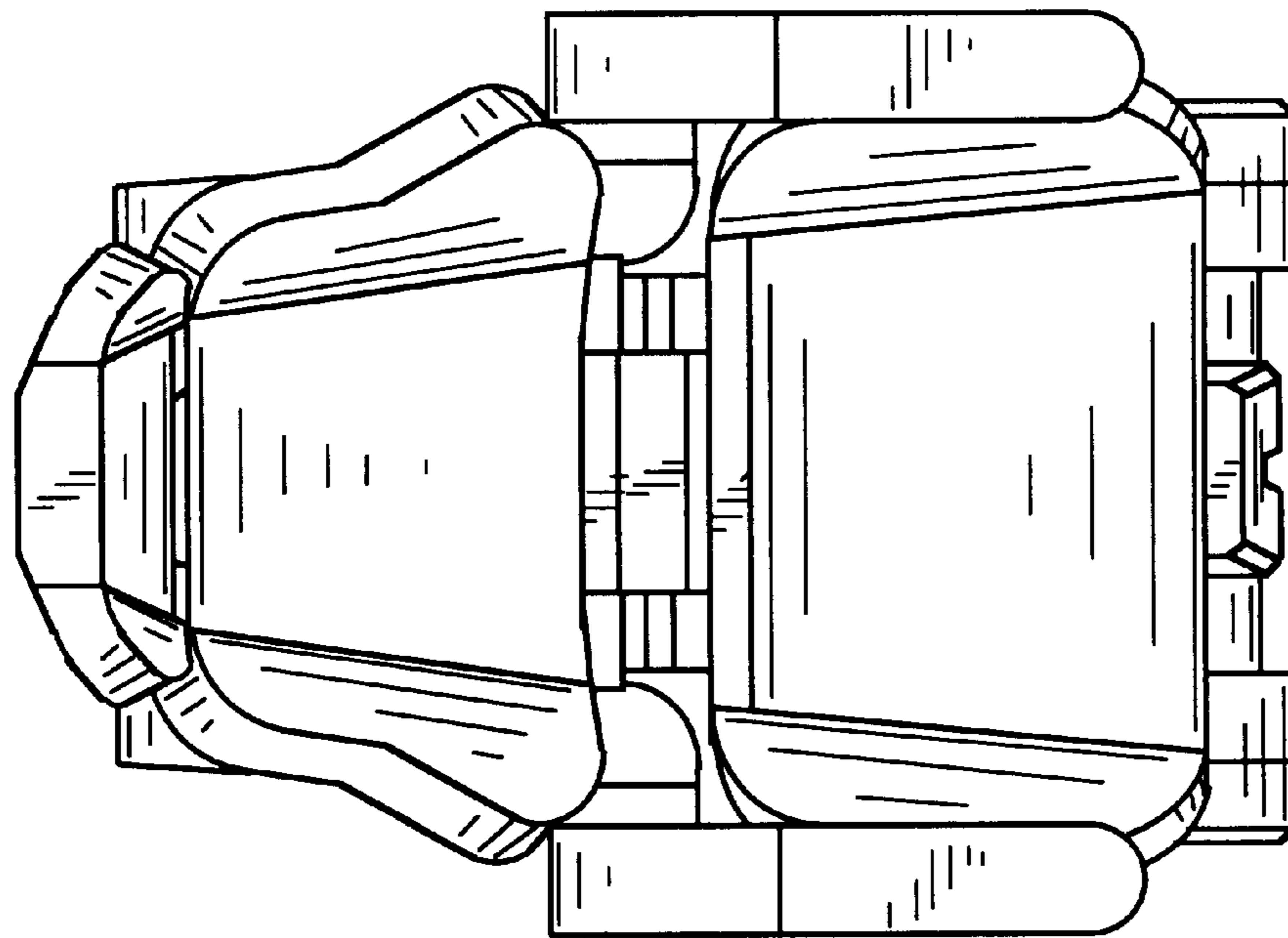


FIG. 12

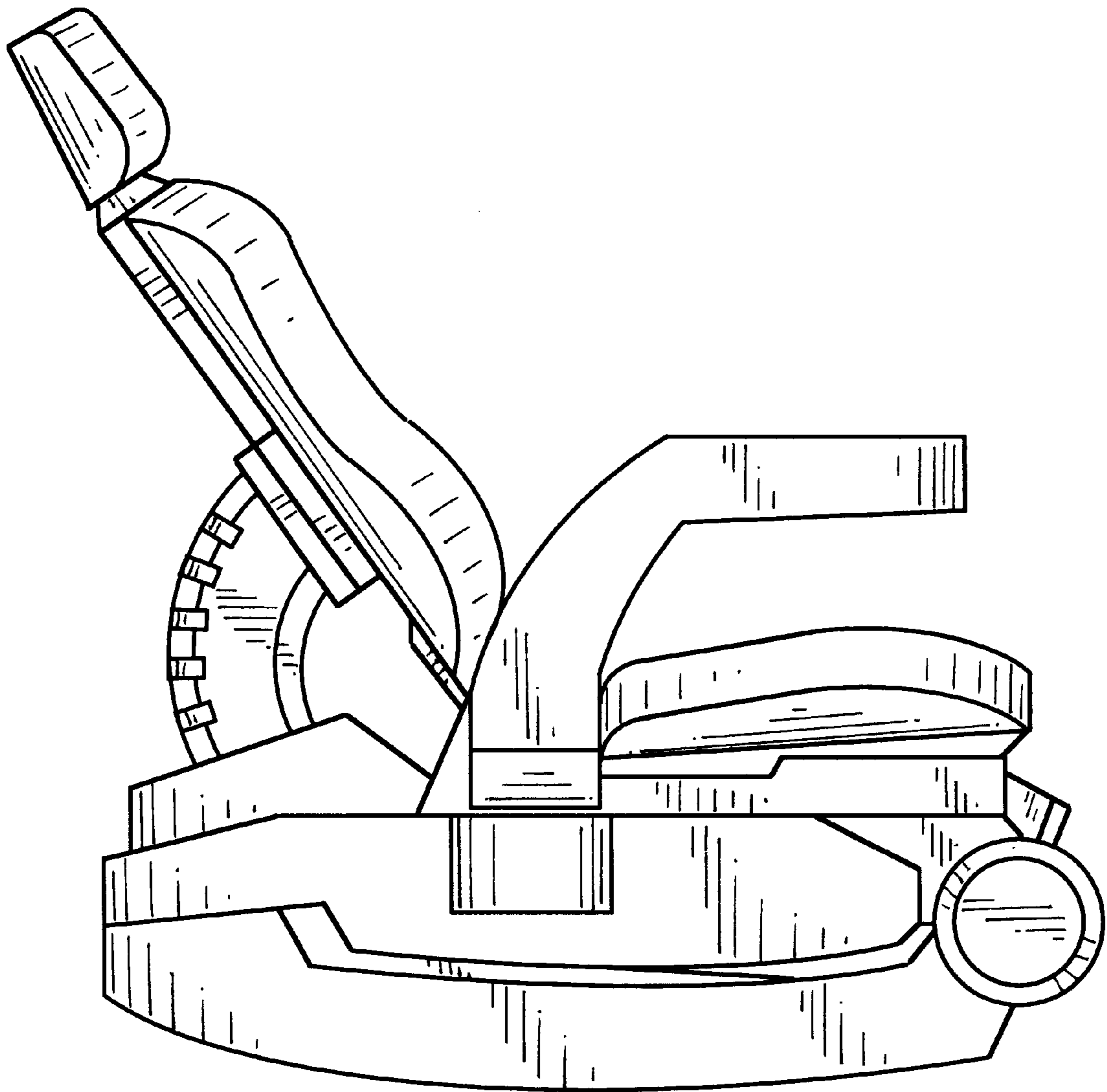


FIG. 13

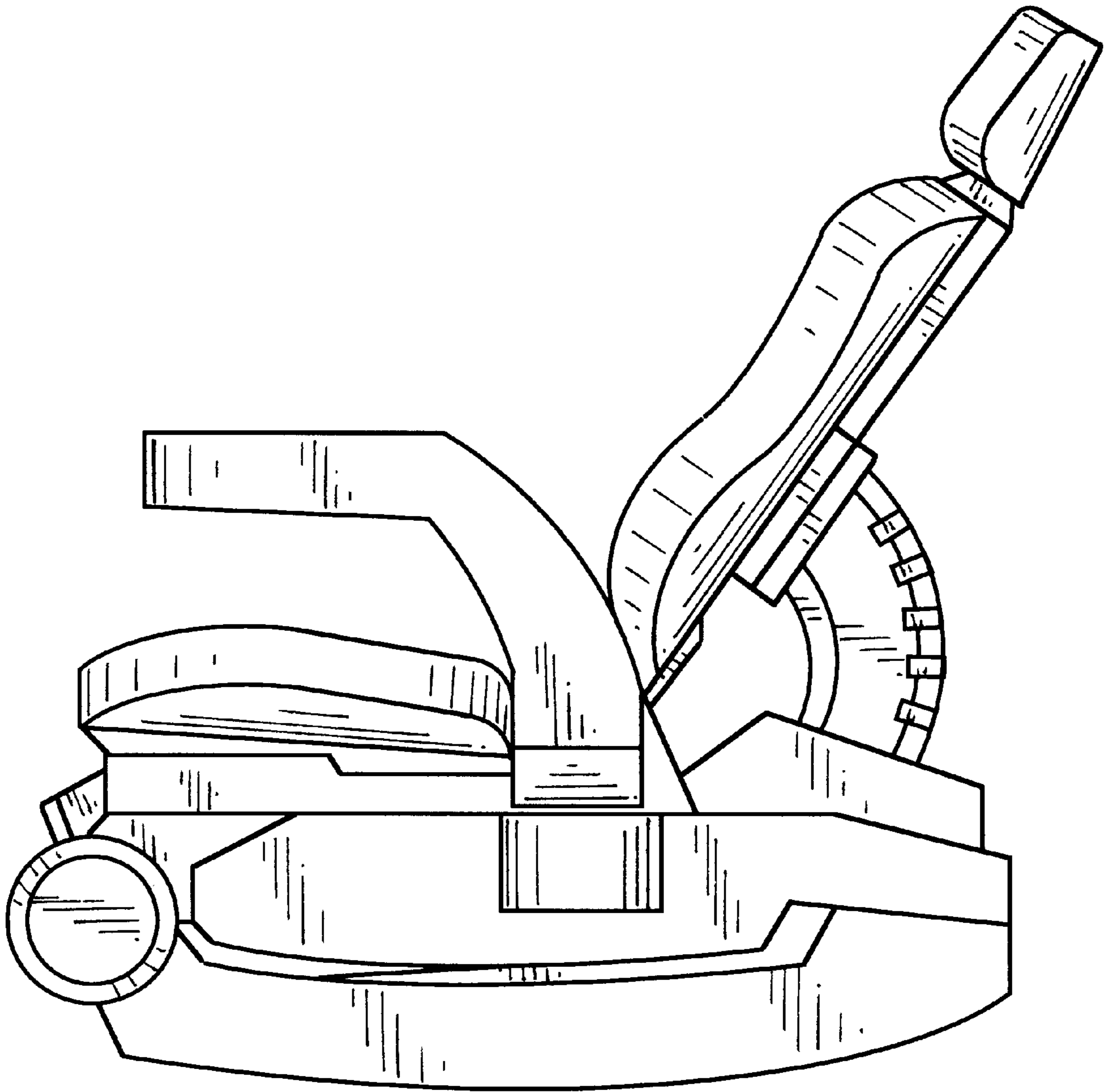


FIG. 14