



US00D428261S

United States Patent [19]

Lee

[11] **Patent Number: Des. 428,261**

[45] **Date of Patent: ** Jul. 18, 2000**

[54] **TOOTHBRUSH FOR ORAL HYGIENE OR THE LIKE**

[76] Inventor: **Young J. Lee**, 1420 E. Innes St., Salisbury, N.C. 28146

[**] Term: **14 Years**

[21] Appl. No.: **29/102,554**

[22] Filed: **Mar. 26, 1999**

[51] **LOC (7) Cl.** **04-02**

[52] **U.S. Cl.** **D4/110**

[58] **Field of Search** D4/104-112, 132, D4/134; 15/159.1, 160, 167.1, 186, 187; 601/139, 141

[56] **References Cited**

U.S. PATENT DOCUMENTS

D. 265,527	7/1982	Macaluso	D4/110
D. 282,603	2/1986	Piero	D4/108
1,647,453	11/1927	Krantz	15/167.1
3,100,309	8/1963	Gambino	15/167.1
4,457,039	7/1984	Massari	15/167.1

Primary Examiner—Alan P. Douglas
Assistant Examiner—Lavone D. Tabor
Attorney, Agent, or Firm—Dougherty & Associates

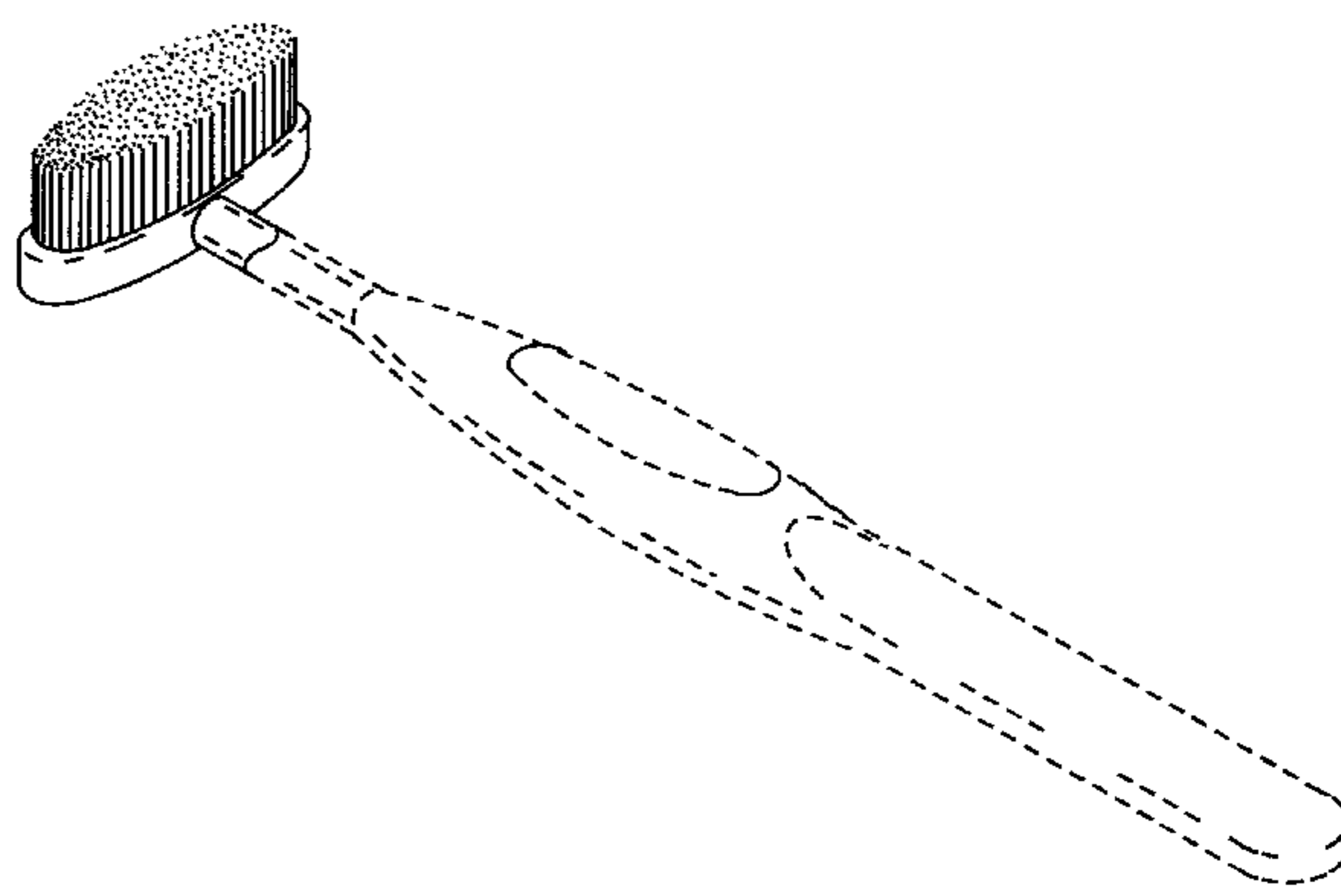
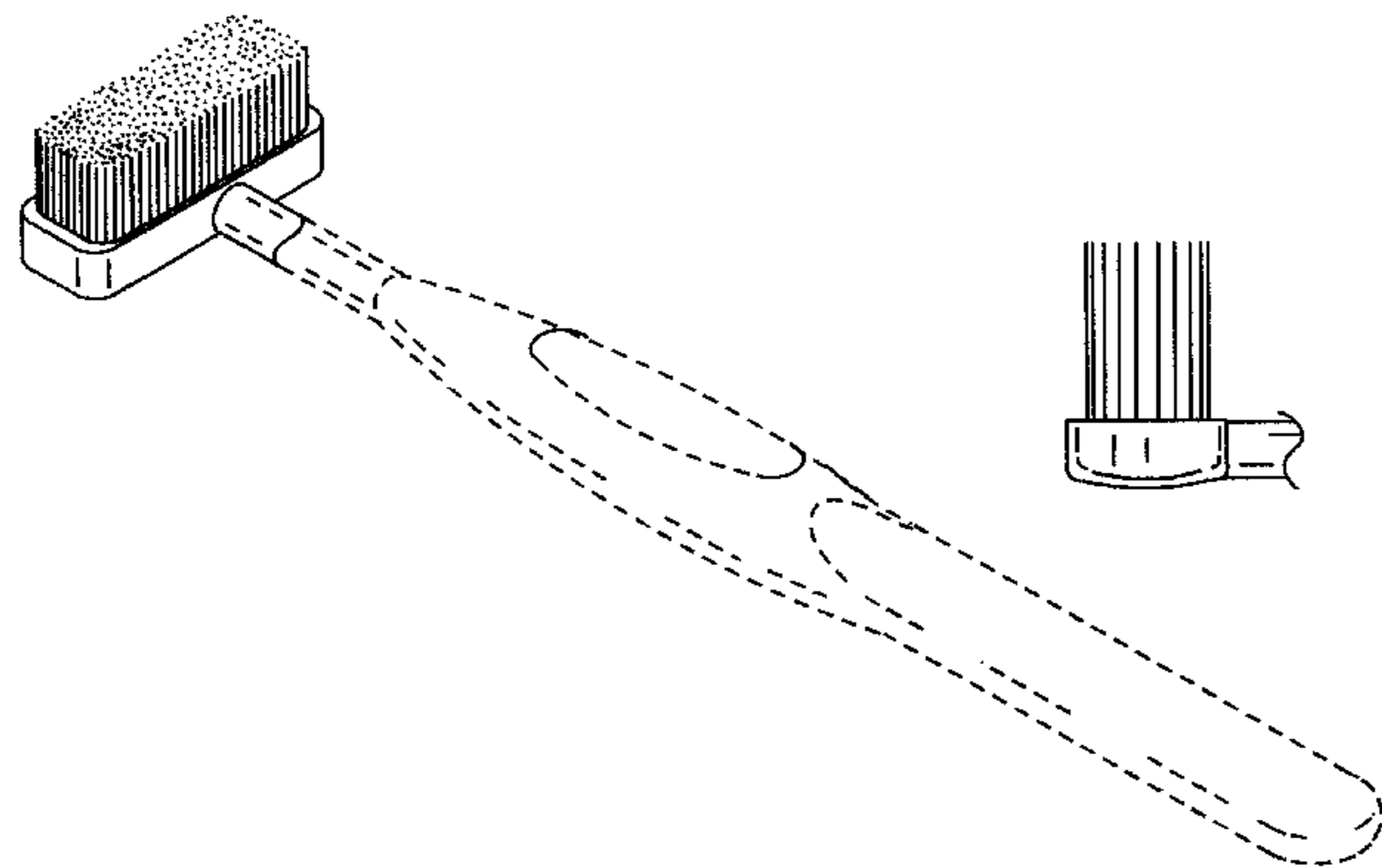
[57] **CLAIM**

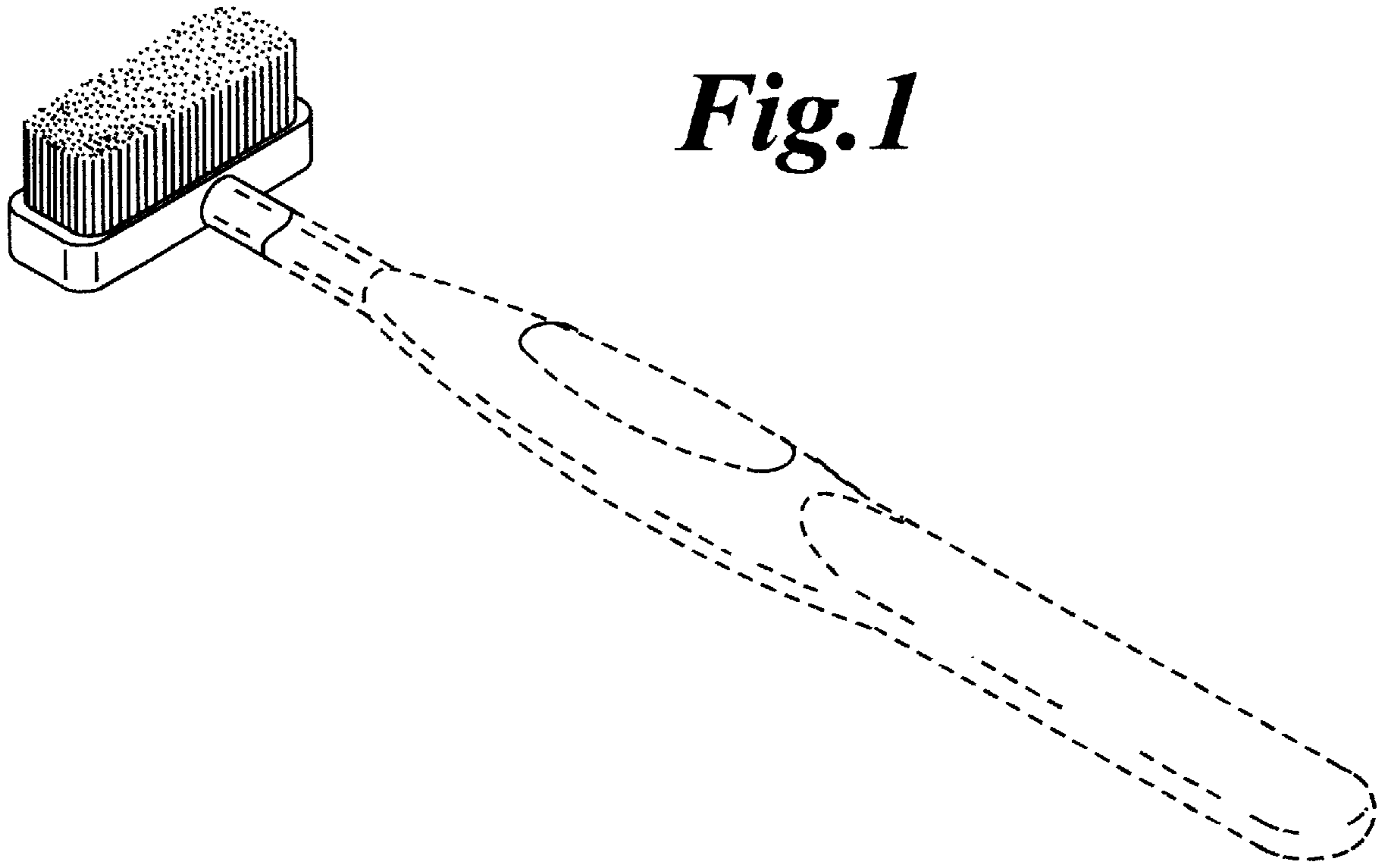
The ornamental design for a toothbrush for oral hygiene or the like, as shown and described.

DESCRIPTION

FIG. 1 is a perspective view of a toothbrush for oral hygiene or the like showing my new design with the portion of the handle that is shown in broken lines being for illustrative purposes only and forming no part of the claimed design; FIG. 2 is a top plan view thereof; FIG. 3 is a right side elevational view thereof; FIG. 4 is a front elevational view thereof; FIG. 5 is a rear elevational view thereof; FIG. 6 is a left side elevational view thereof; FIG. 7 is a bottom plan view thereof; FIG. 8 is a perspective view of a second embodiment of the toothbrush with the broken lines forming no part of the claimed design; FIG. 9 is a top plan view thereof; FIG. 10 is a right side elevational view thereof; FIG. 11 is a front elevational view thereof; FIG. 12 is a rear elevational view thereof; FIG. 13 is a left side elevational view thereof; and, FIG. 14 is a bottom plan view thereof. The bristles are partially shown in FIGS. 3-6 and 10-13 for ease of illustration.

1 Claim, 4 Drawing Sheets





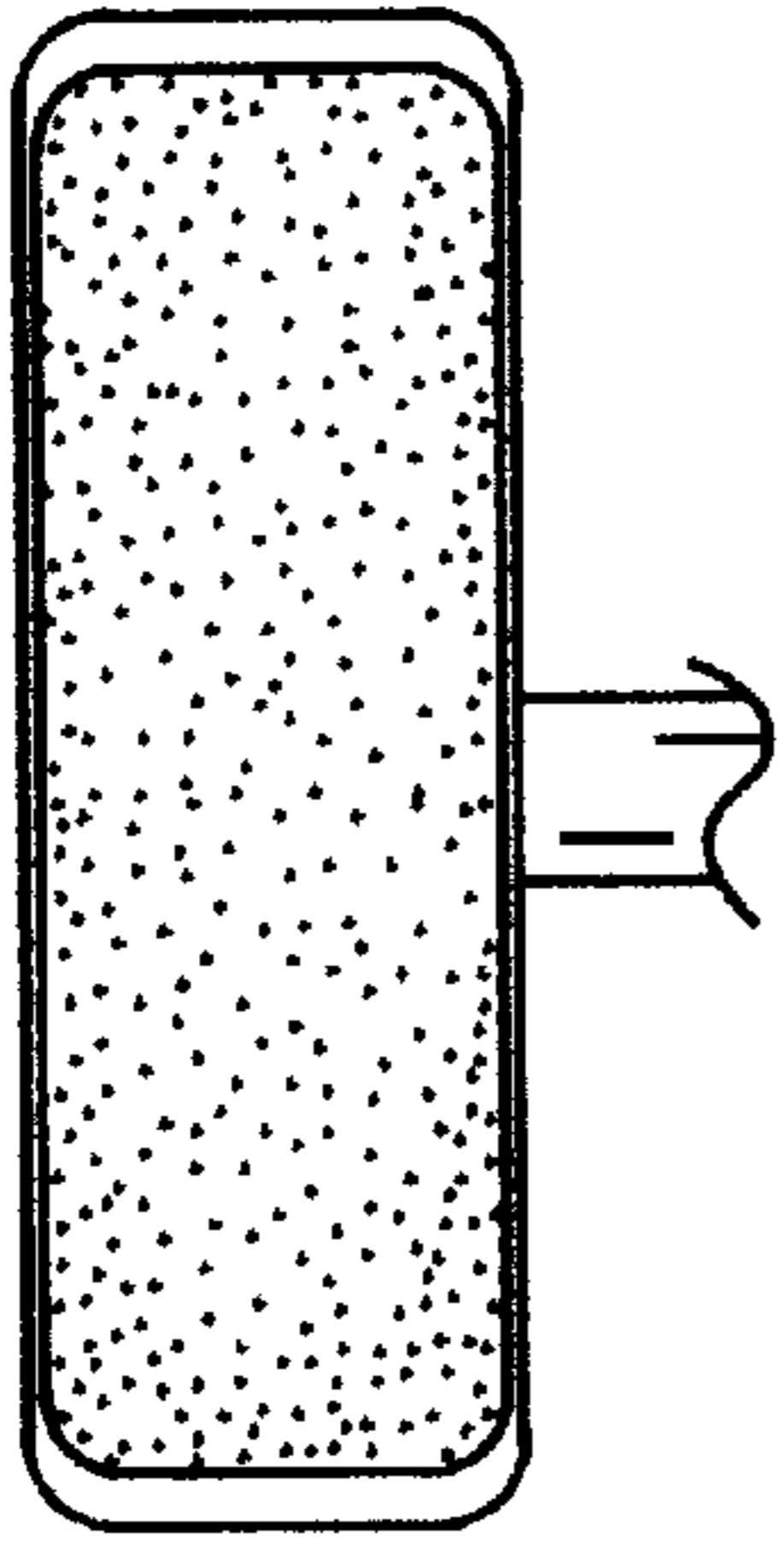


Fig. 2

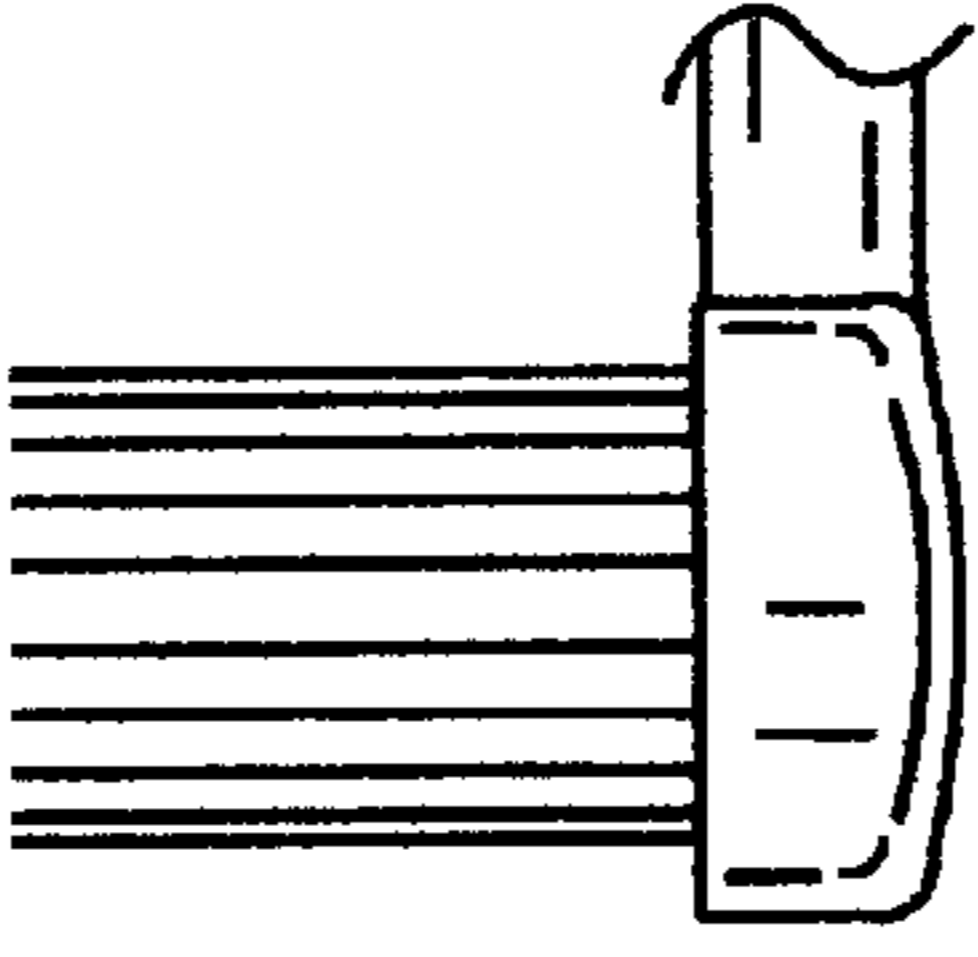


Fig. 3

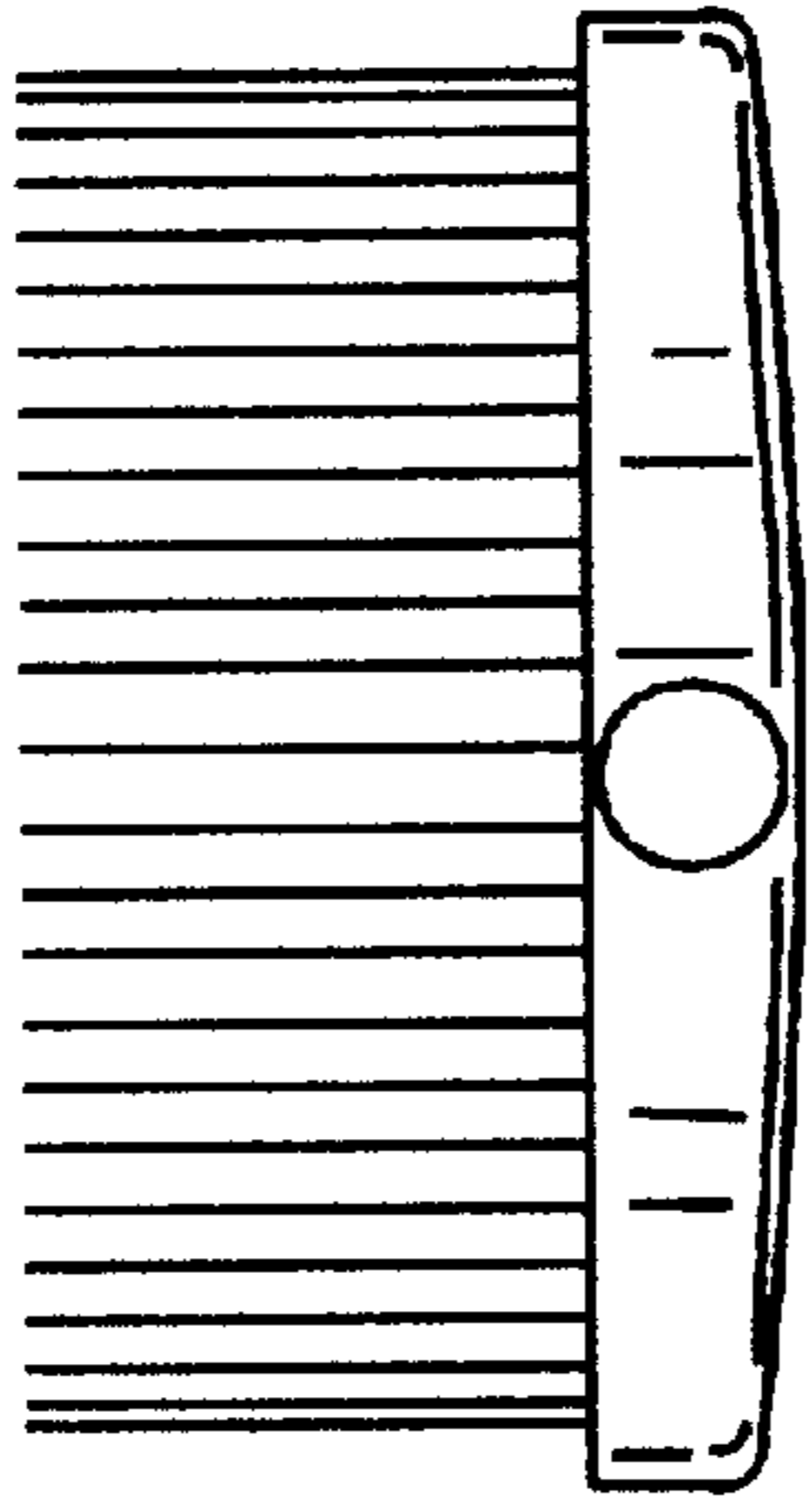


Fig. 4

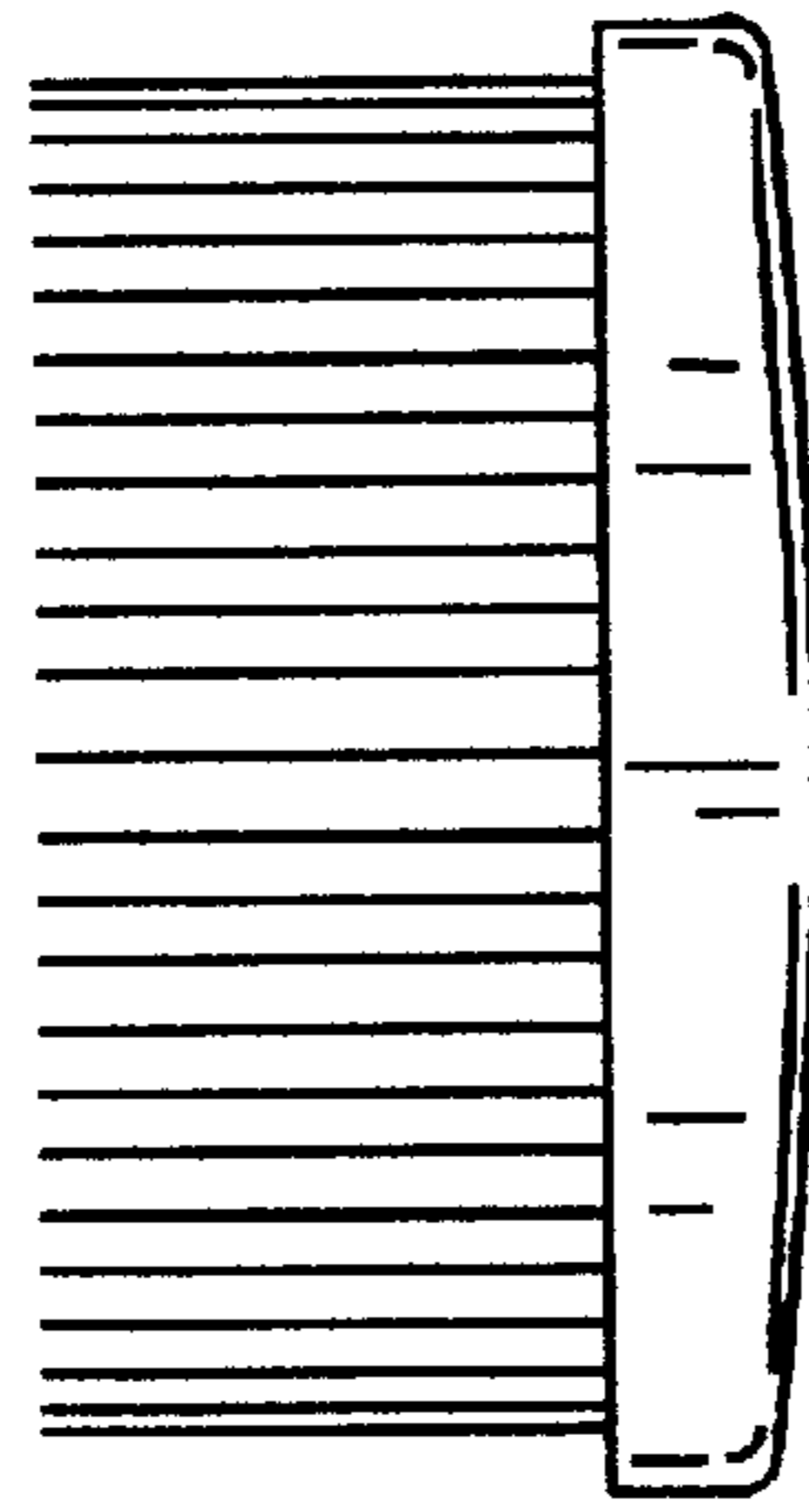


Fig. 5

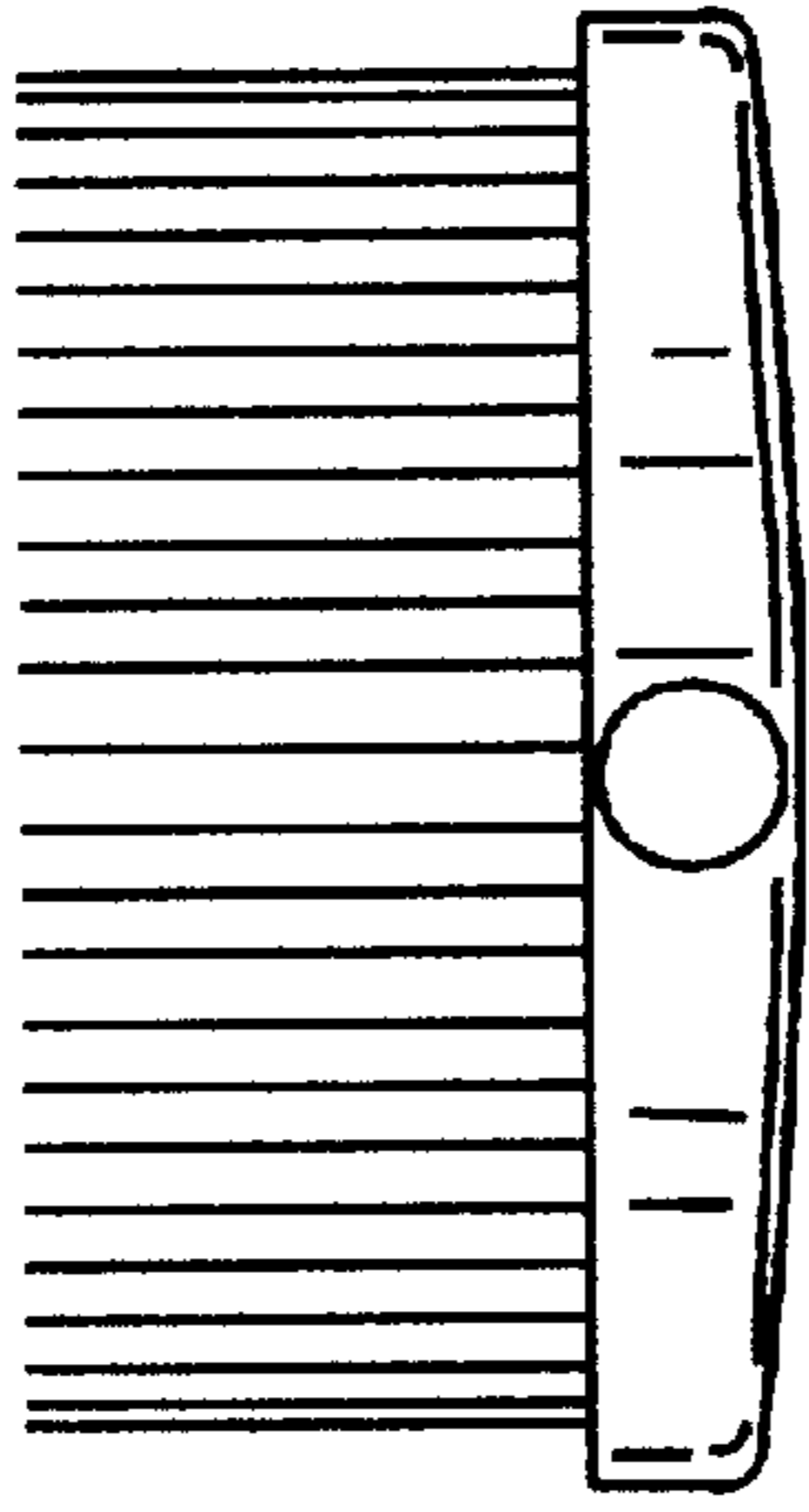


Fig. 6

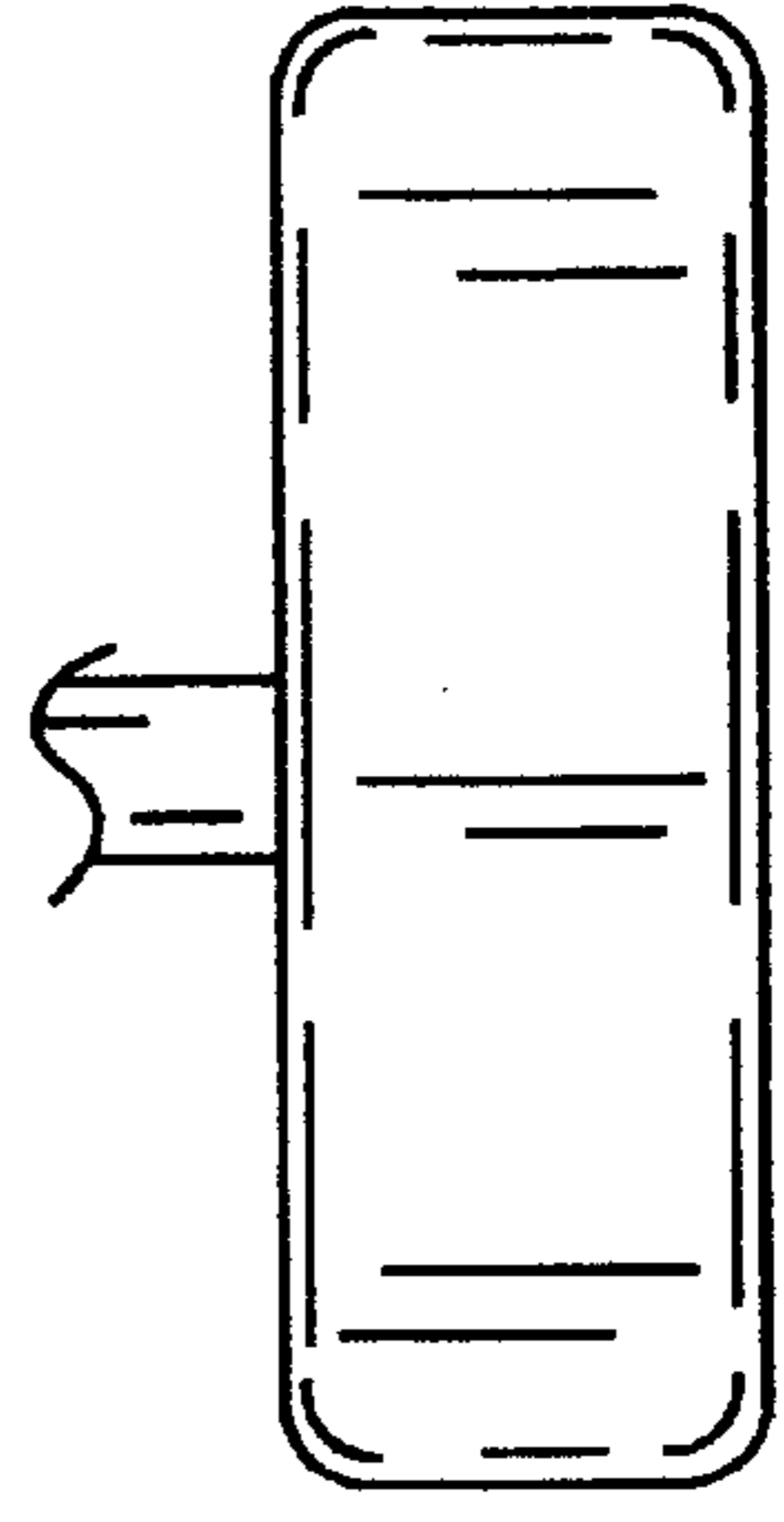


Fig. 7

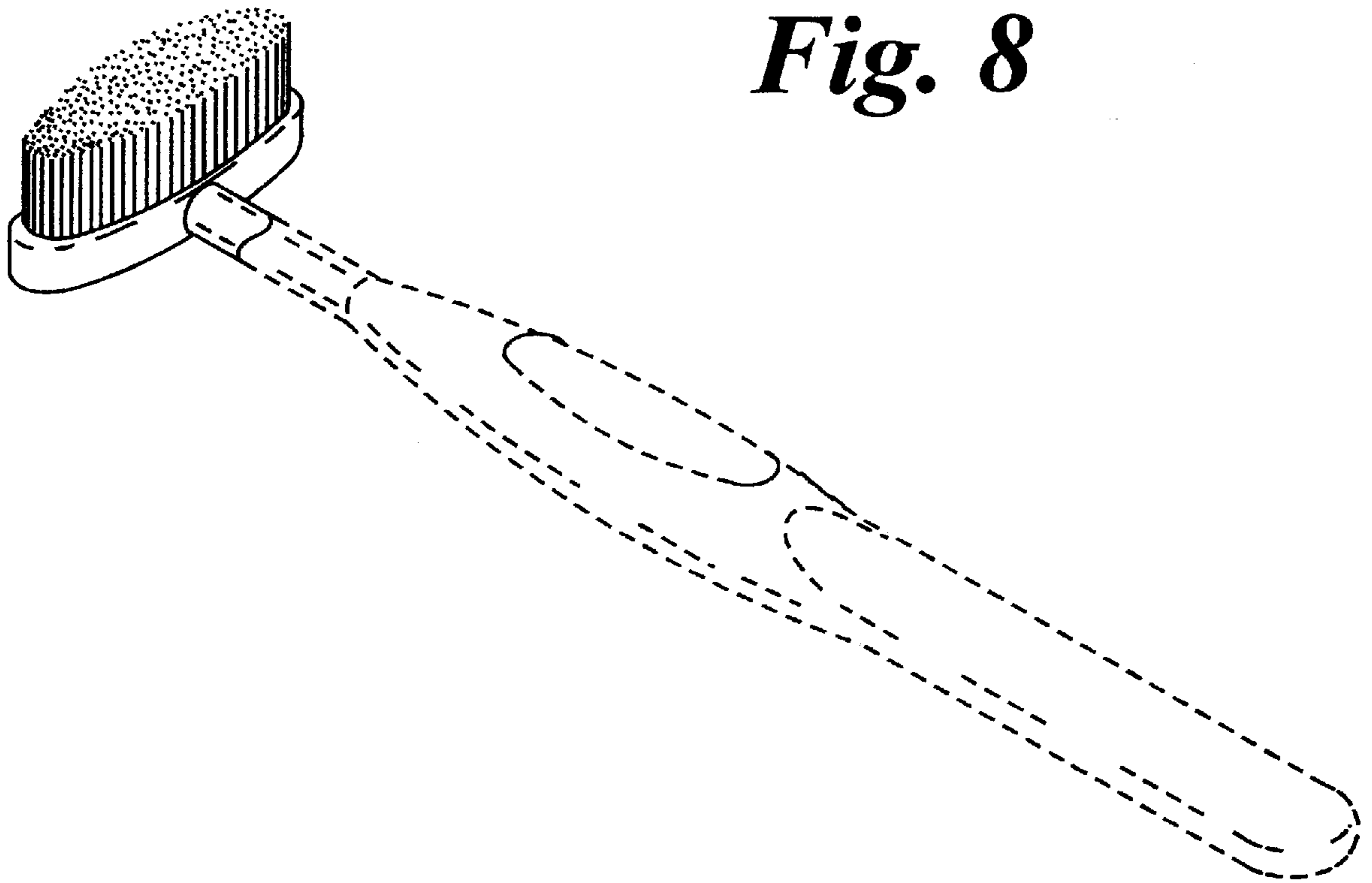


Fig. 8

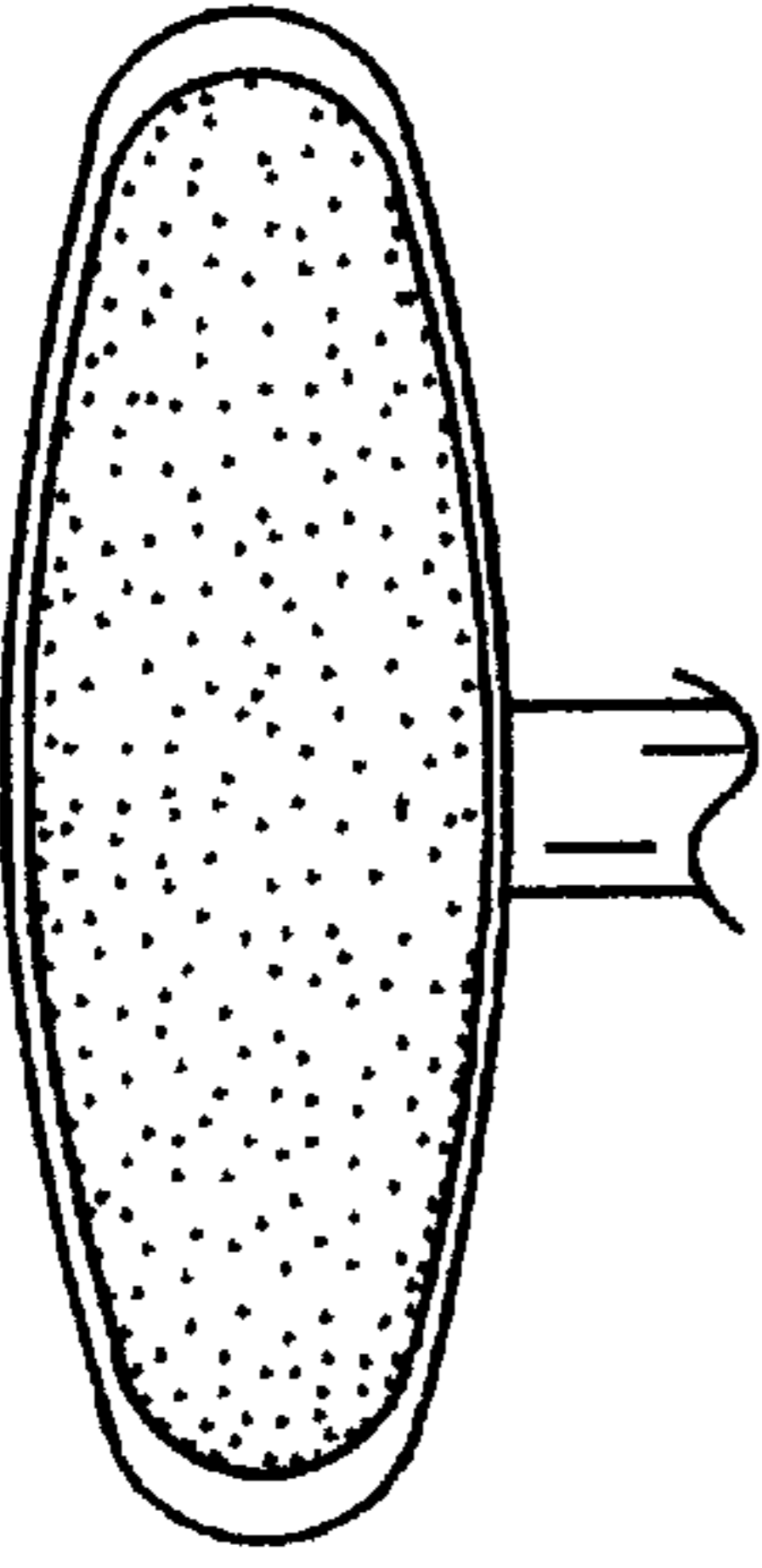


Fig. 9

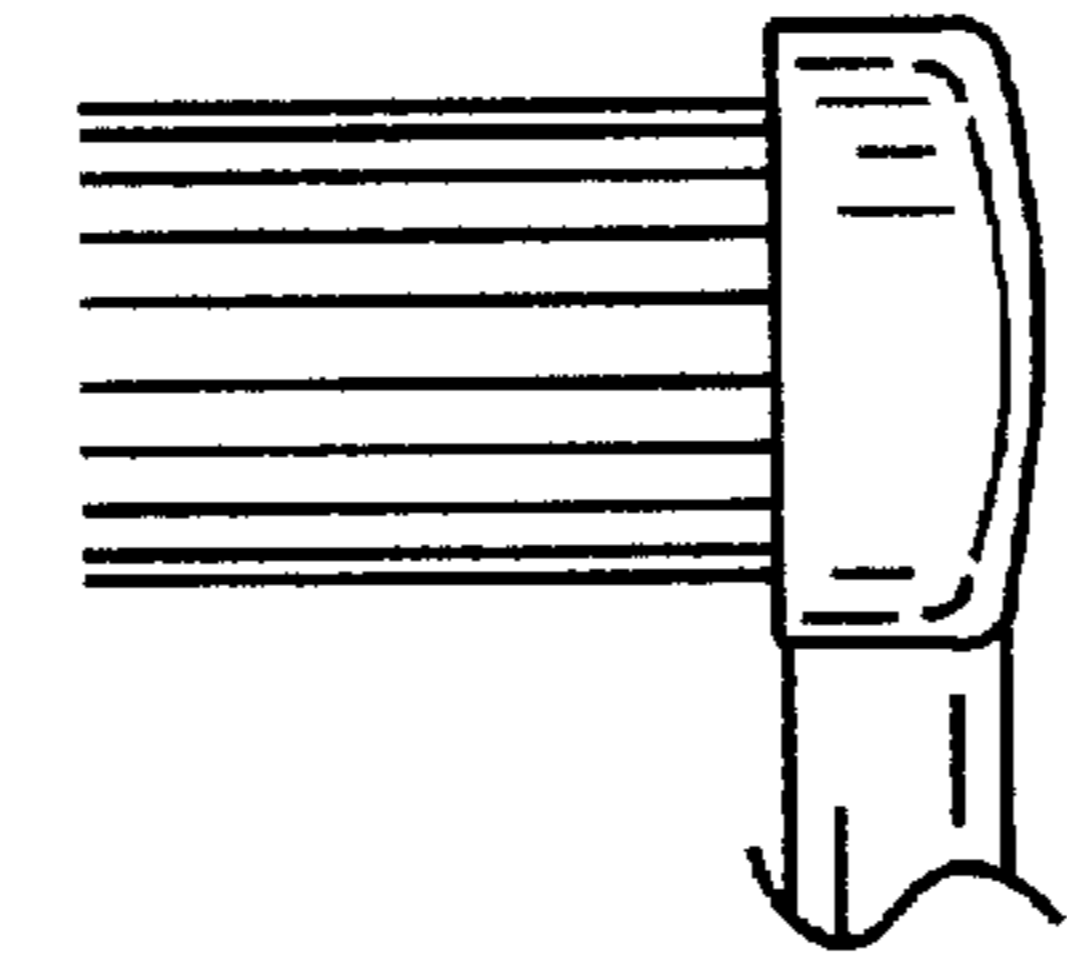


Fig. 10

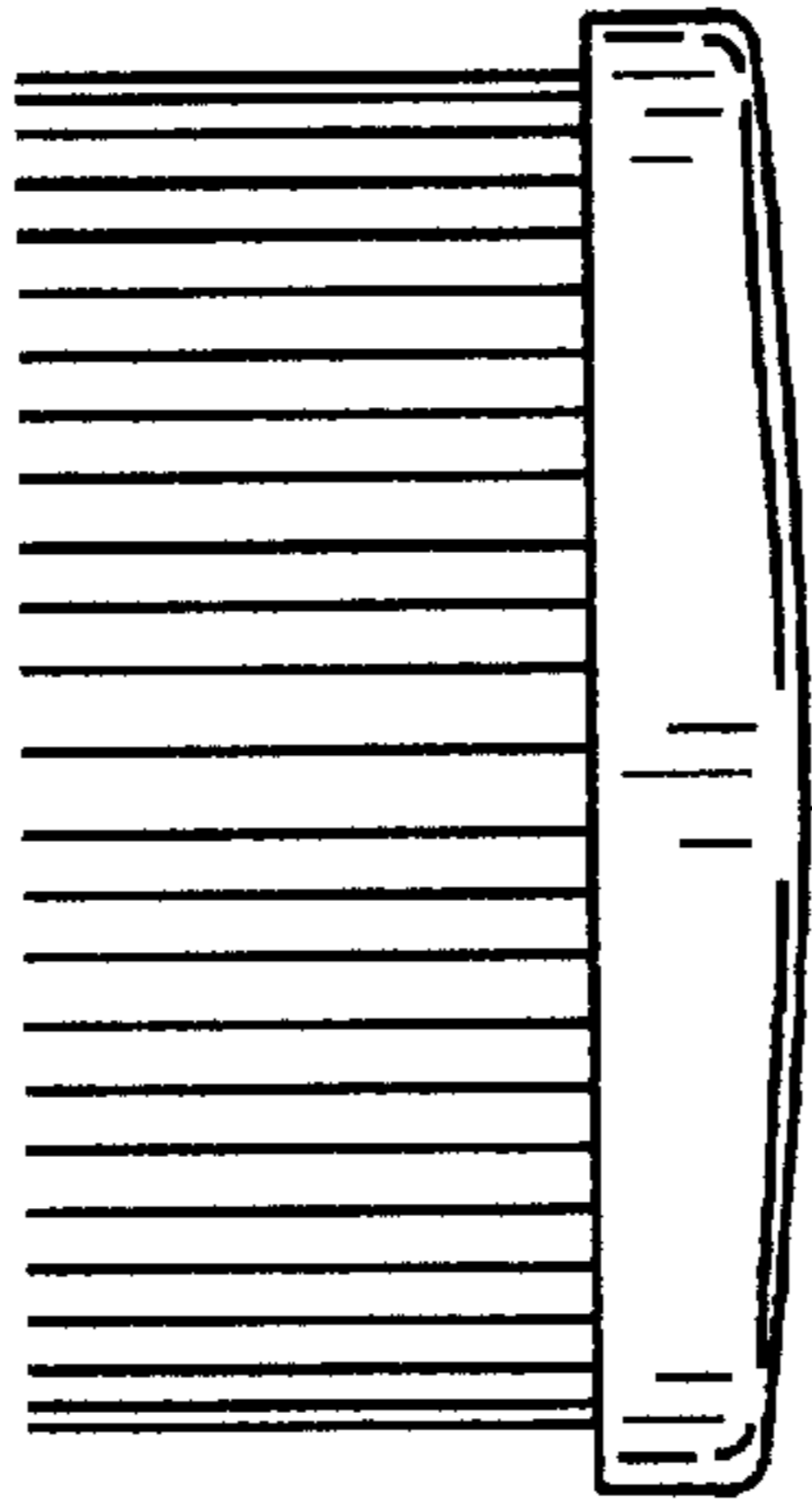


Fig. 11

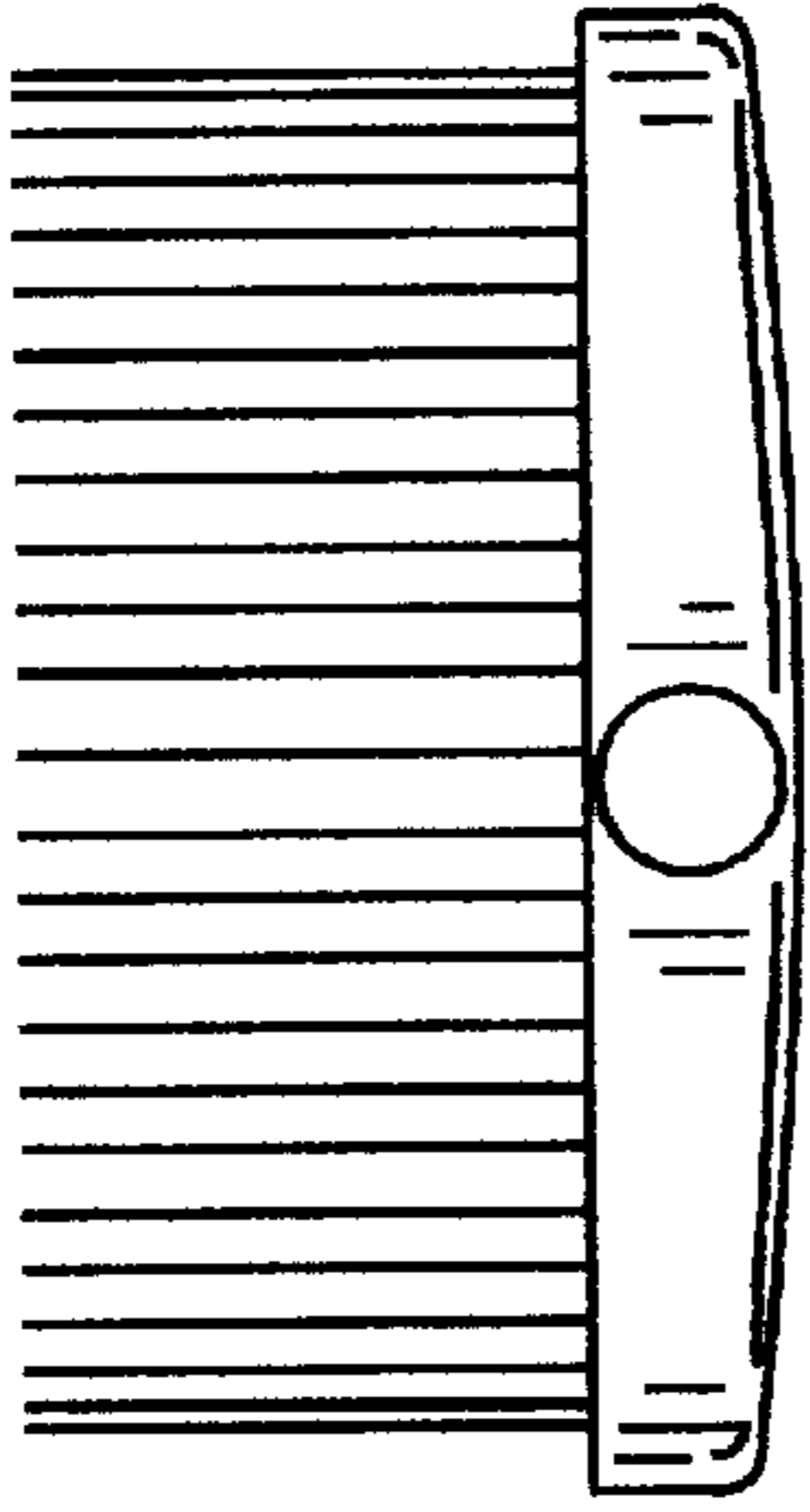


Fig. 12

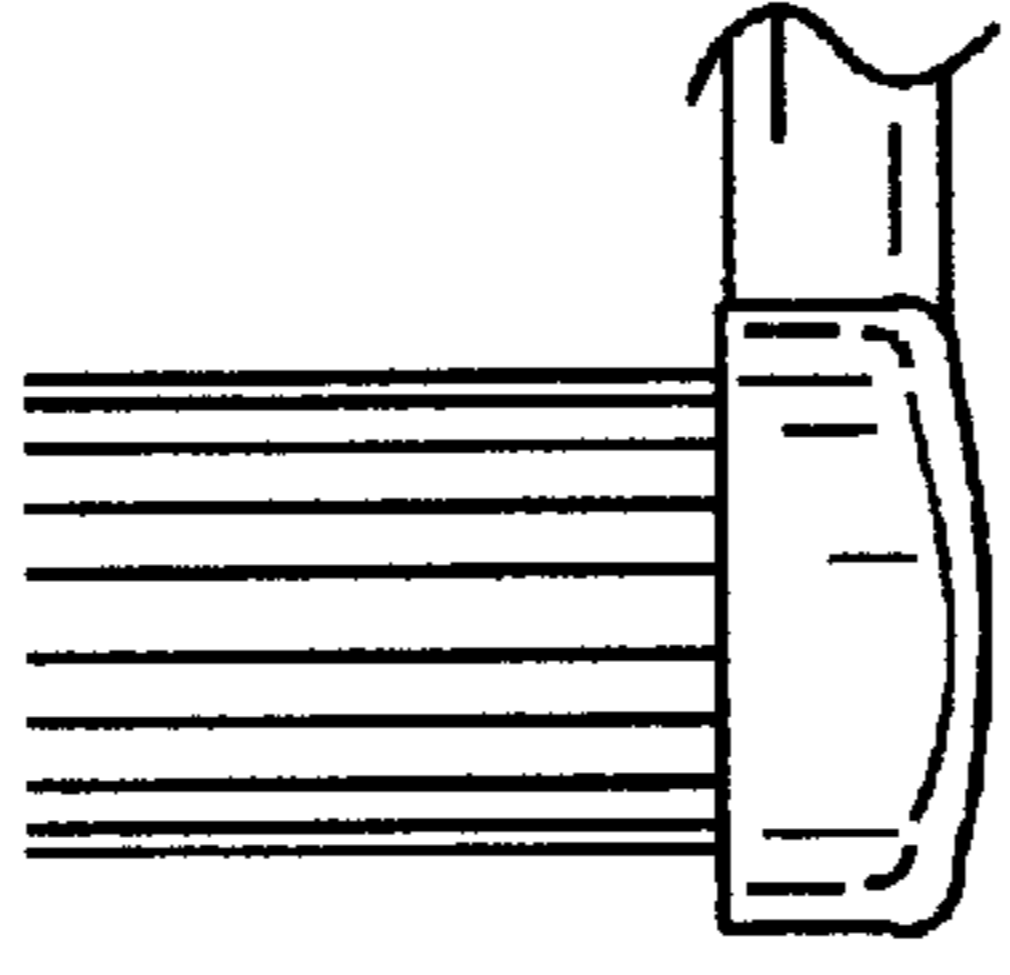


Fig. 13

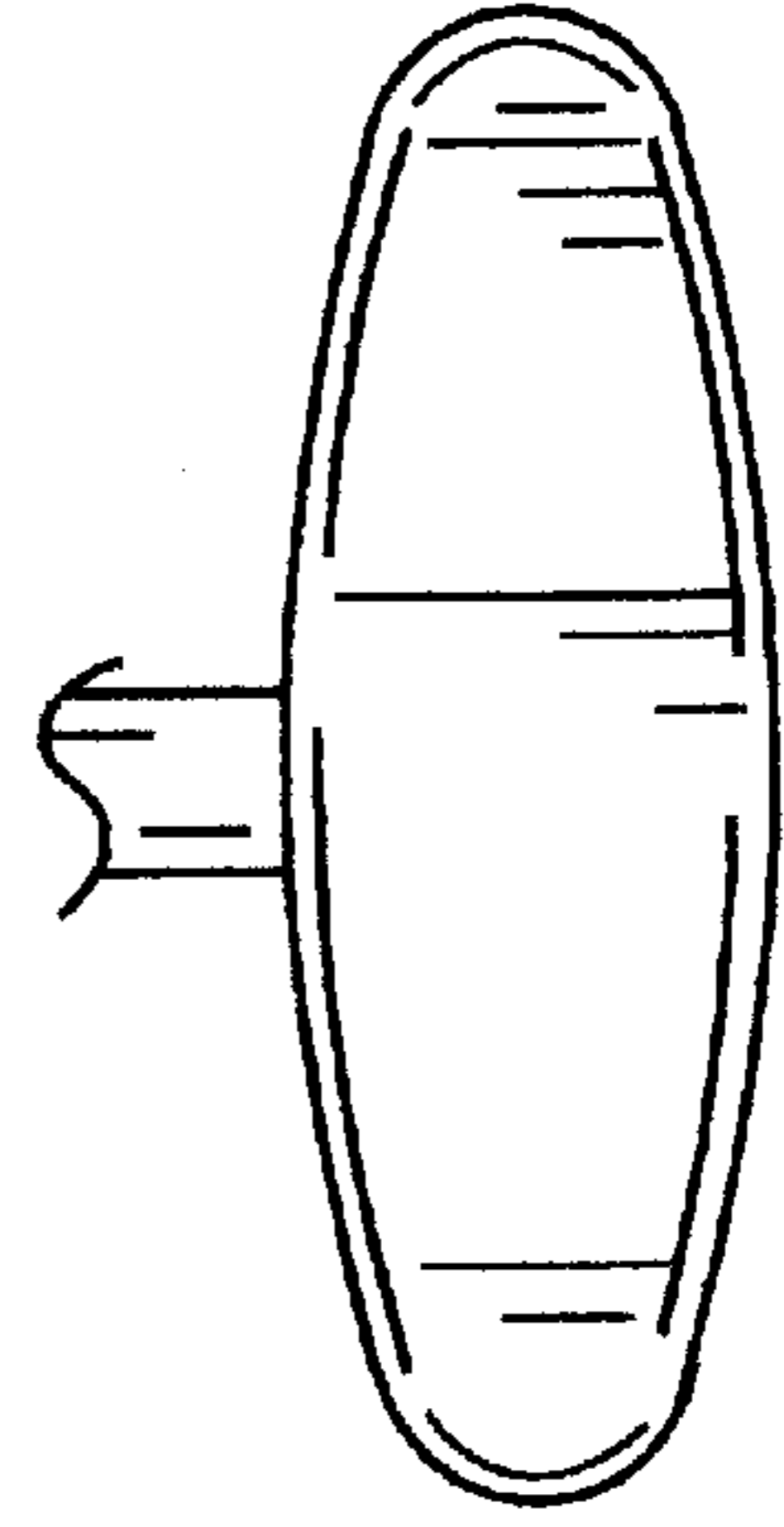


Fig. 14