



US00D428257S

United States Patent [19]
Harada

[11] **Patent Number: Des. 428,257**
[45] **Date of Patent: ** Jul. 18, 2000**

[54] **HANDLE FOR A TOOTHBRUSH**
[76] Inventor: **Stephen D. Harada**, 614 Blair Ave.,
Piedmont, Calif. 94111
[**] Term: **14 Years**
[21] Appl. No.: **29/102,619**
[22] Filed: **Mar. 29, 1999**
[51] **LOC (7) Cl. 04-02**
[52] **U.S. Cl. D4/104; D4/129; D4/138**
[58] **Field of Search D4/101, 104-112,**
D4/129, 138; 15/143.1, 159.1, 160, 167.1,
167.2, 22.1; 132/308; 601/139, 141; D8/97,
107

4,654,921 4/1987 Dinner 15/167.1
5,048,143 9/1991 Carroll 15/110
5,078,732 1/1992 Cenicerros 606/235
5,291,878 3/1994 Lombardo et al. 601/139
5,341,537 8/1994 Curtis et al. 15/167.1
5,392,483 2/1995 Heinzelman et al. 15/167.1
5,623,739 4/1997 Thompson 15/167.1

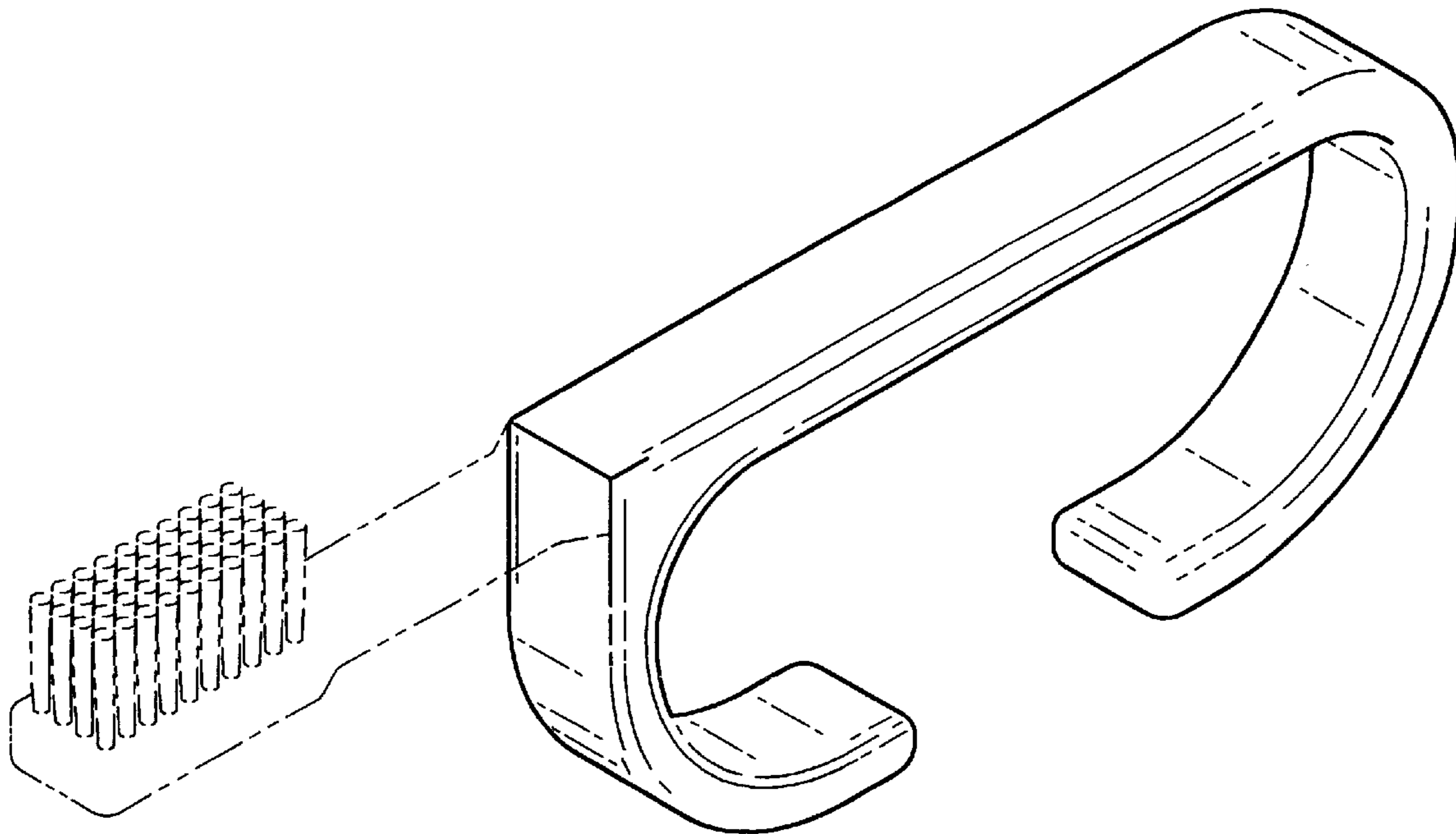
Primary Examiner—Alan P. Douglas
Assistant Examiner—Lavone D. Tabor
Attorney, Agent, or Firm—Holland & Knight LLP

[56] **References Cited**
U.S. PATENT DOCUMENTS
D. 190,318 5/1961 Vallis D4/129
D. 299,386 1/1989 Jacobs D4/104
D. 321,092 10/1991 Woll et al. D4/106
D. 324,958 3/1992 Piano D4/104
D. 342,160 12/1993 Curtis et al. D4/104
D. 370,347 6/1996 Heinzelman et al. D4/104
D. 389,312 1/1998 Porter D4/104
D. 404,921 2/1999 Smith D4/104
1,257,883 2/1918 Kone 15/26
1,517,320 12/1924 Stoddart 15/22.1
2,273,207 2/1942 Kuhn 15/167.1
3,214,776 11/1965 Bercovitz 15/26

[57] **CLAIM**
The ornamental design for a handle for a toothbrush, as shown and described.

DESCRIPTION
FIG. 1 is a perspective view of my ornamental design for a handle for a toothbrush;
FIG. 2 is a front view thereof;
FIG. 3 is a rear view thereof;
FIG. 4 is a side elevational view thereof, the opposite side being a mirror image;
FIG. 5 is an end view thereof as seen from the left side of FIG. 2; and,
FIG. 6 is an end view thereof as seen from the right side of FIG. 2.
The structures shown in phantom or broken lines in the FIGS. form no part of the claimed design and are included only to illustrate an environment.

1 Claim, 2 Drawing Sheets



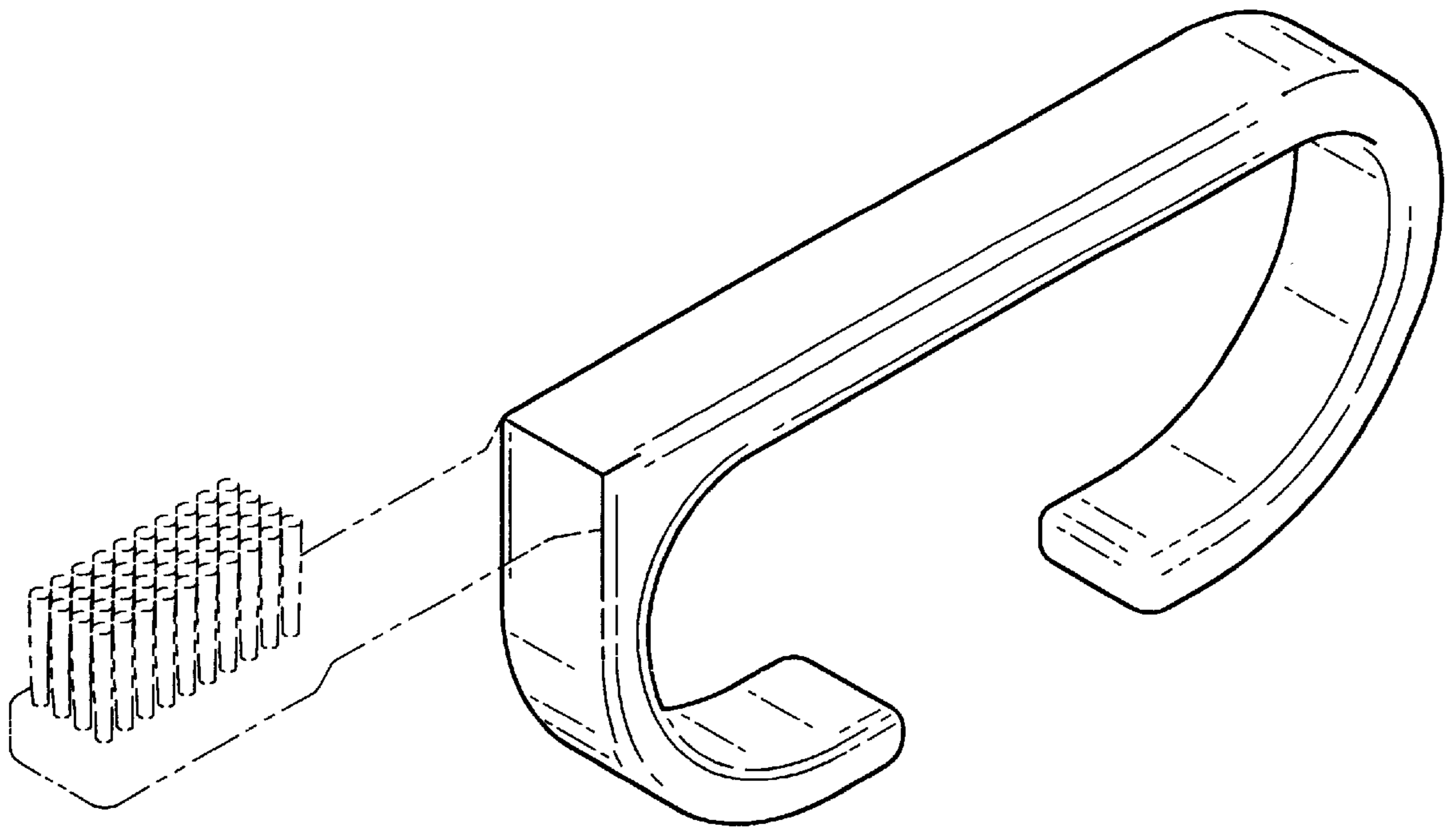


FIG. 1

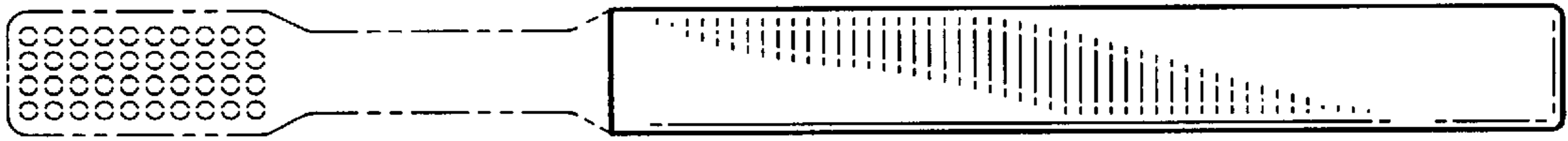


FIG. 2

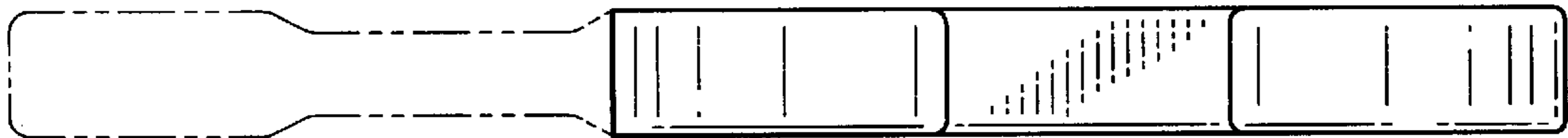


FIG. 3

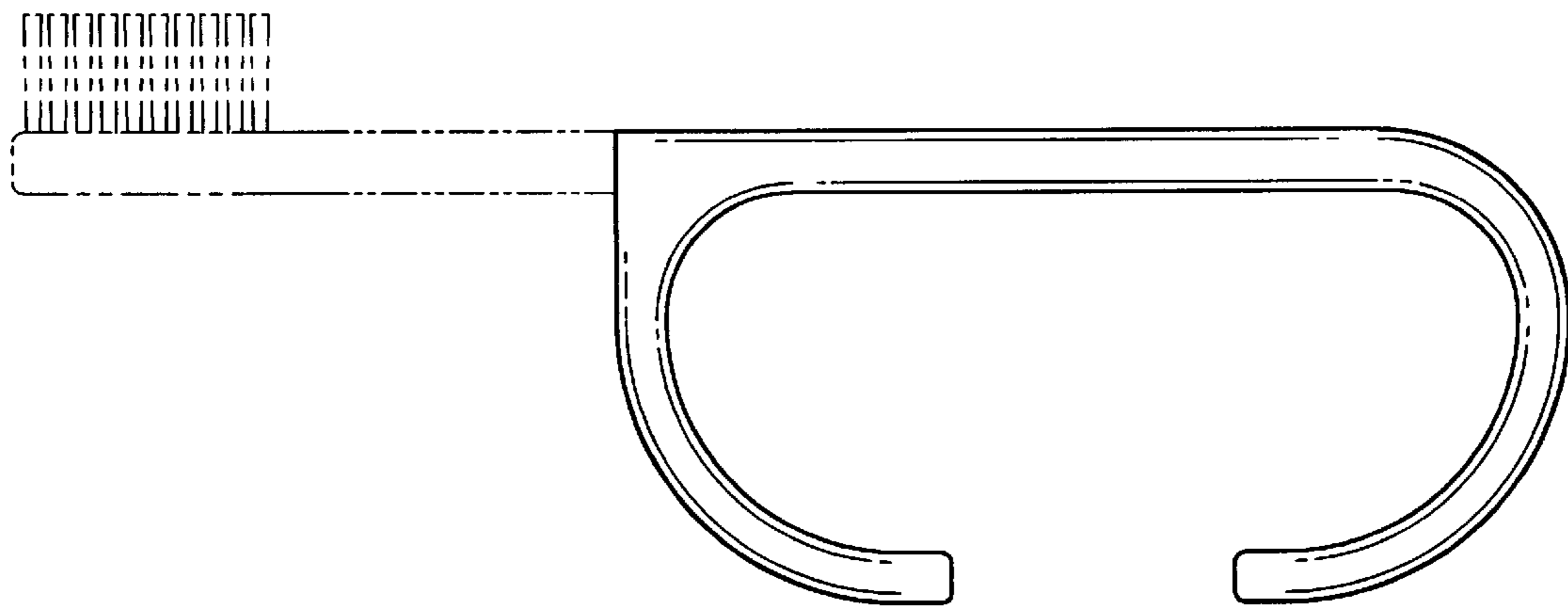


FIG. 4



FIG. 5

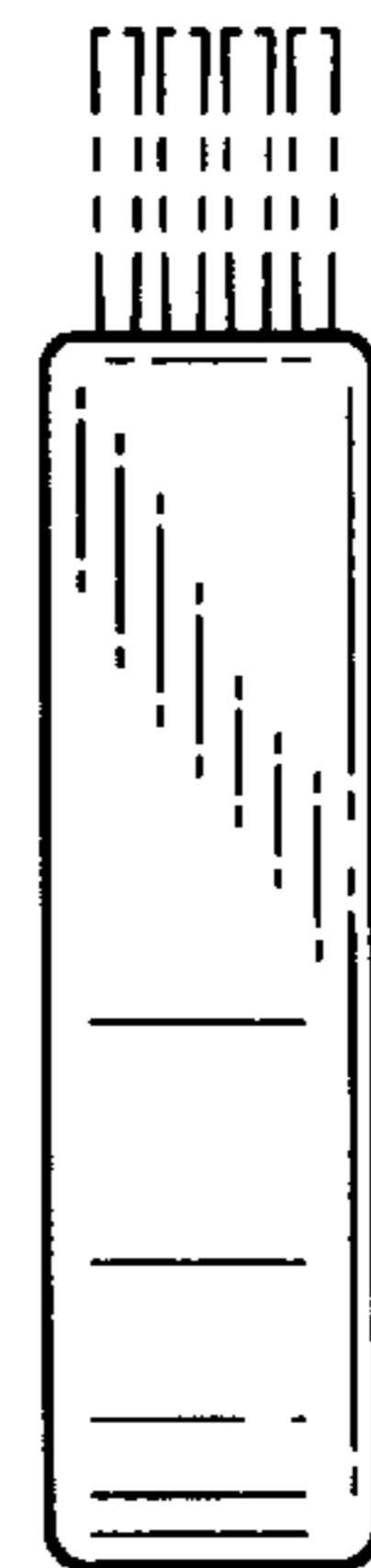


FIG. 6