



US00D428255S

United States Patent [19] Kandalepas

[11] Patent Number: **Des. 428,255**

[45] Date of Patent: **** Jul. 18, 2000**

[54] **PORTABLE COMPUTER CARRY BAG**

[75] Inventor: **Andrew J. Kandalepas, Palatine, Ill.**

[73] Assignee: **Dauphin Technology, Inc., Palatine, Ill.**

[**] Term: **14 Years**

[21] Appl. No.: **29/107,900**

[22] Filed: **Jul. 15, 1999**

[51] **LOC (7) Cl.** **03-01**

[52] **U.S. Cl.** **D3/301; D3/273**

[58] **Field of Search** D3/273, 289, 303,
D3/288, 285; 190/100, 110, 111, 112, 113;
206/320

[56] **References Cited**

U.S. PATENT DOCUMENTS

D. 358,483	5/1995	Cross et al.	D3/276
D. 358,935	6/1995	Chang et al.	D3/276
D. 360,075	7/1995	Cross et al.	D3/276
D. 360,978	8/1995	Willard et al.	D3/276

D. 380,612	7/1997	Kelley et al.	D3/276
D. 391,076	2/1998	Test	D3/287
5,887,777	3/1999	Myles et al.	190/112
5,938,096	8/1999	Sauer et al.	206/320

Primary Examiner—Philip S. Hyder
Attorney, Agent, or Firm—Leydig, Voit & Mayer, Ltd

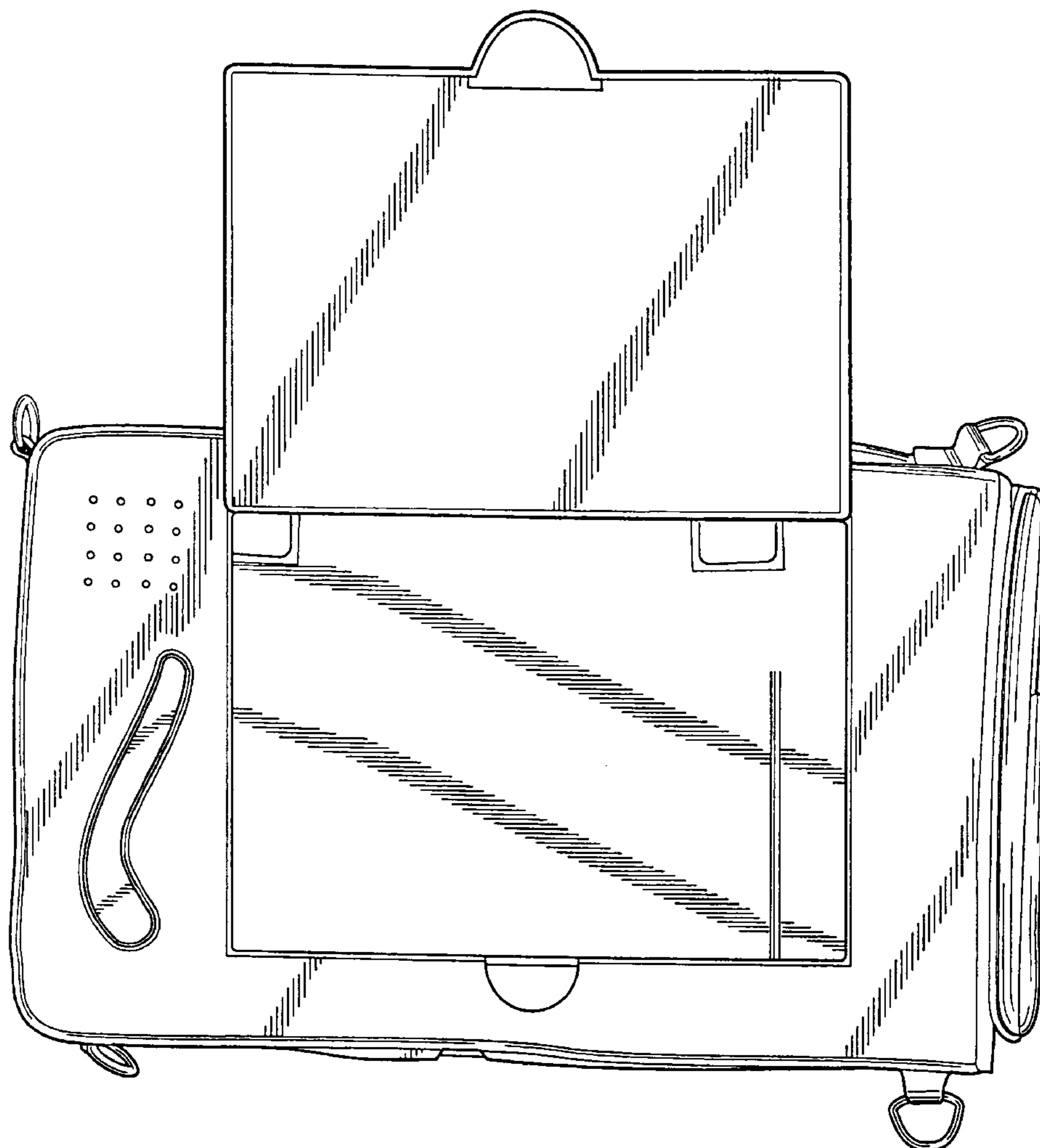
[57] **CLAIM**

The ornamental design for a portable computer carry bag, as shown and described.

DESCRIPTION

FIG. 1 is a top plan view of a portable computer carry bag showing my new design;
FIG. 2 is an inverted bottom plan view thereof;
FIG. 3 is a rear view thereof;
FIG. 4 is a front view thereof;
FIG. 5 is a right side view thereof;
FIG. 6 is a left side view thereof; and,
FIG. 7 is a top plan view thereof, showing the flap open.

1 Claim, 5 Drawing Sheets



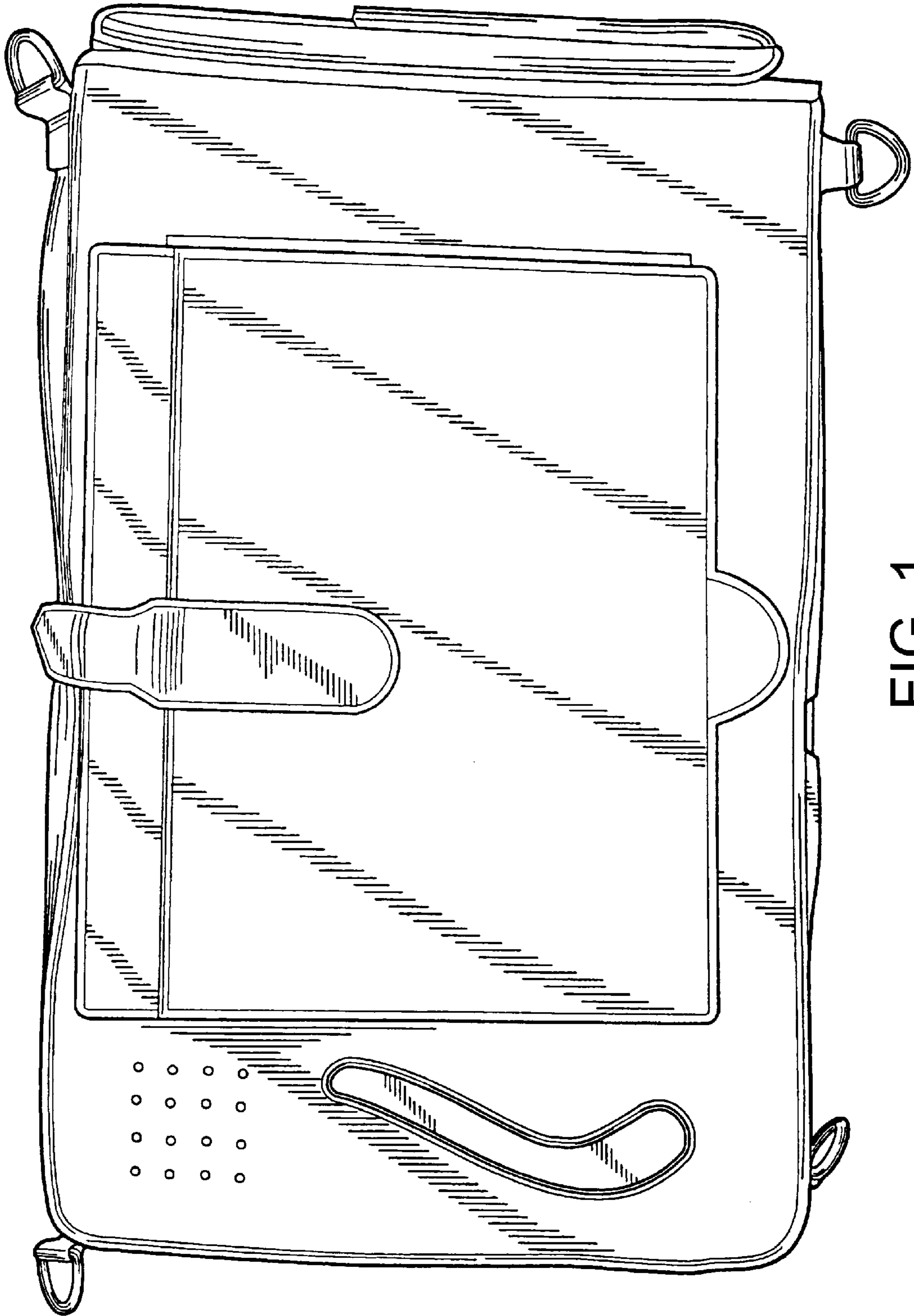


FIG. 1



FIG. 2

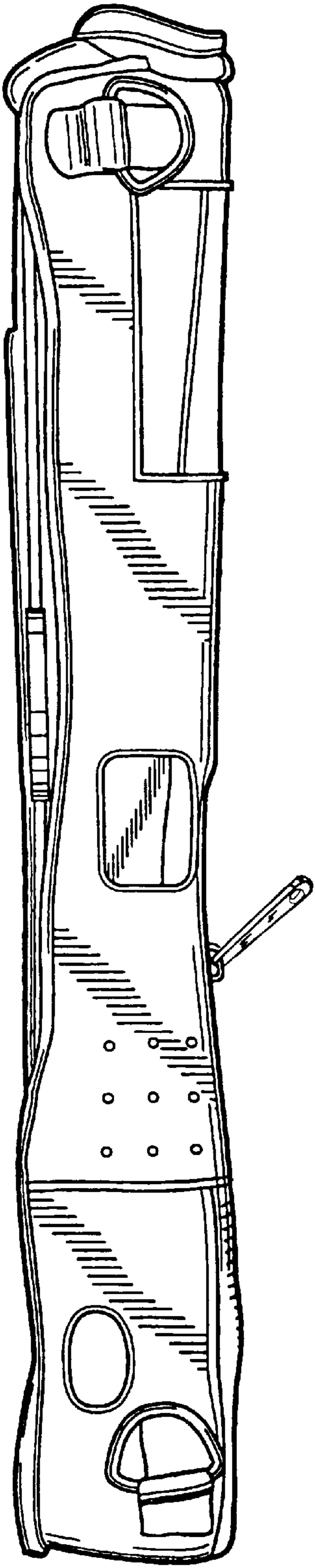


FIG. 4

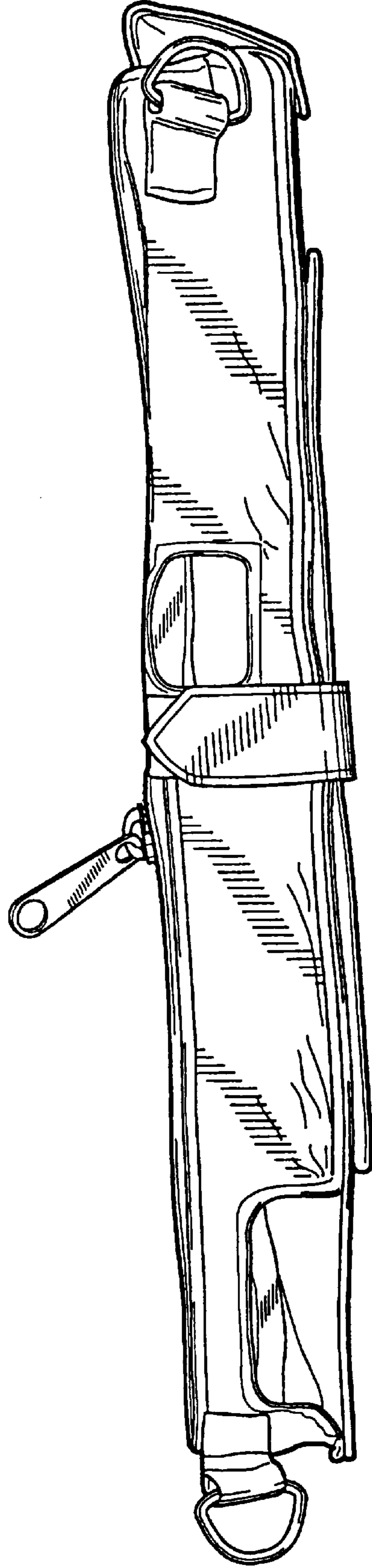


FIG. 3

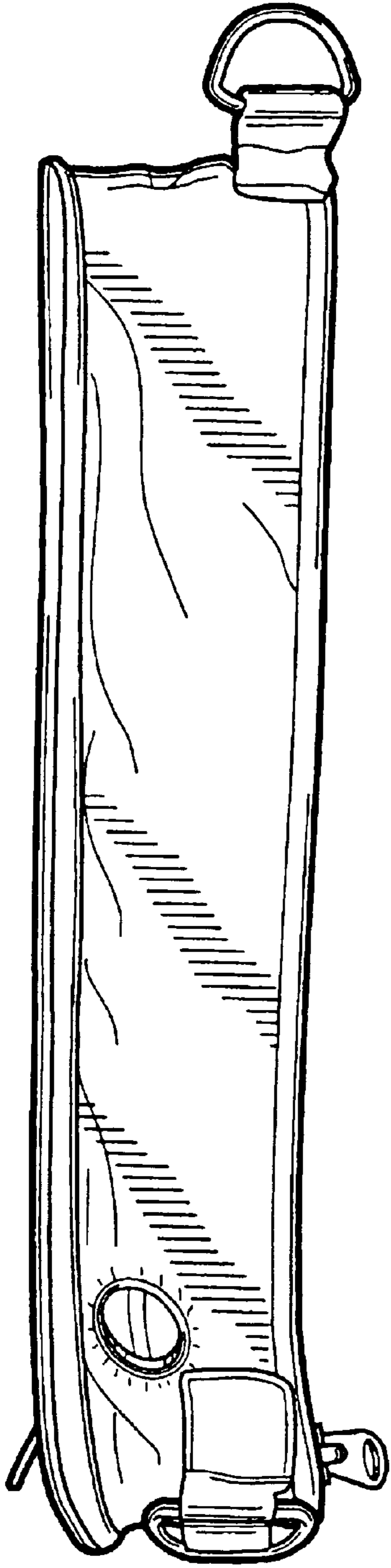


FIG. 6

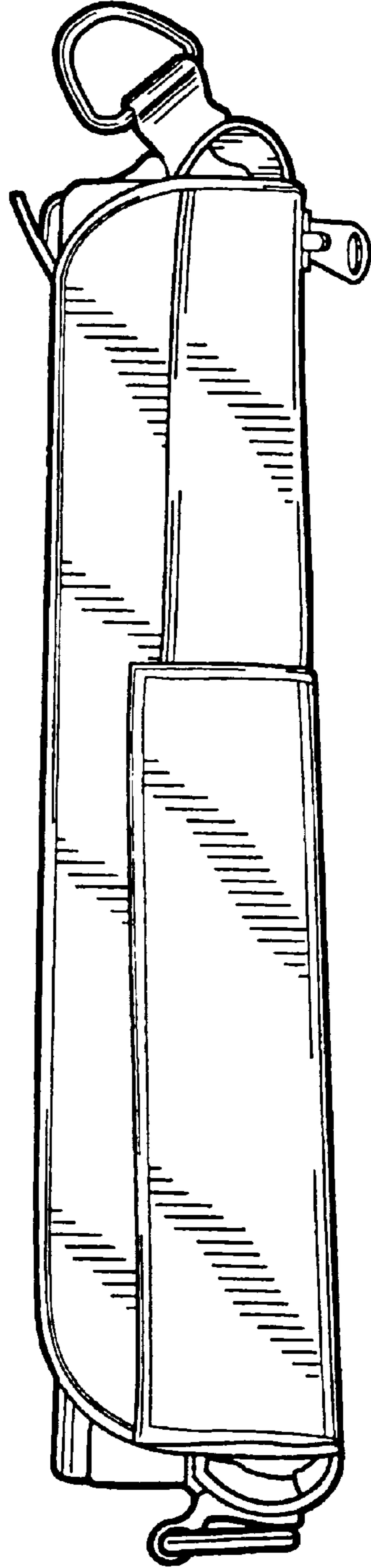


FIG. 5

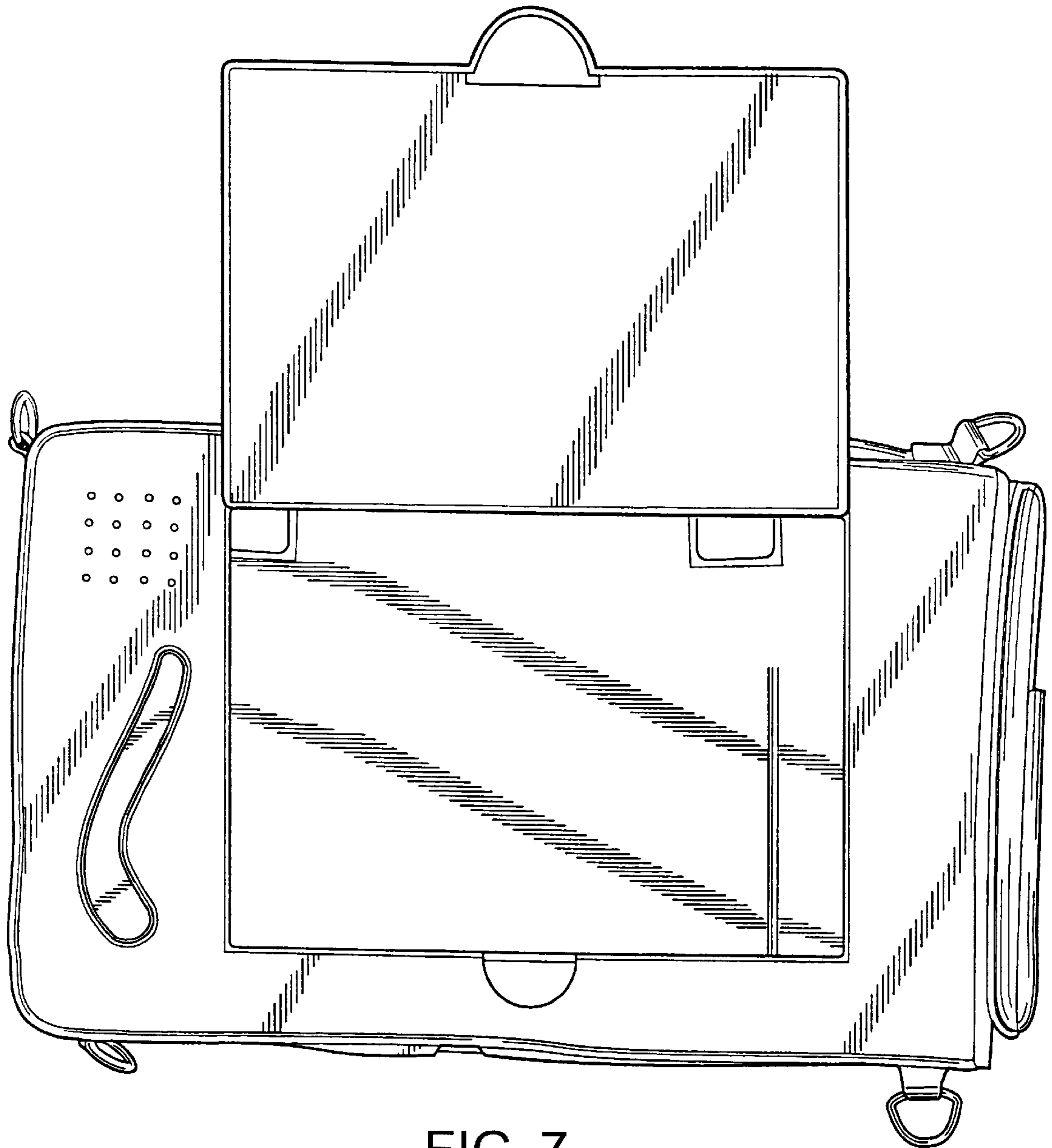


FIG. 7